



US00D685067S

(12) **United States Design Patent**
Du

(10) **Patent No.:** **US D685,067 S**

(45) **Date of Patent:** **** Jun. 25, 2013**

(54) **SANITARY TOILET**

(71) Applicant: **Thuy Thanh Du**, Columbia, LA (US)

(72) Inventor: **Thuy Thanh Du**, Columbia, LA (US)

(**) Term: **14 Years**

(21) Appl. No.: **29/437,996**

(22) Filed: **Nov. 23, 2012**

(51) **LOC (9) Cl.** **23-02**

(52) **U.S. Cl.**
USPC **D23/301**

(58) **Field of Classification Search**
USPC D23/295, 301, 303, 313, 309; 4/300,
4/353, 420, 234, 237, 239, 242.1
See application file for complete search history.

(56) **References Cited**

U.S. PATENT DOCUMENTS

4,586,692	A *	5/1986	Stephens	4/300
5,666,672	A *	9/1997	Birsel et al.	4/236
D392,726	S *	3/1998	Garza	D23/295
6,516,475	B1 *	2/2003	Anderson	4/420.4
D615,635	S *	5/2010	Hanna	D23/301

* cited by examiner

Primary Examiner — Robert Delehanty

(74) *Attorney, Agent, or Firm* — Richard D. Clarke

(57) **CLAIM**

I claim the ornamental design for a sanitary toilet, as shown and described.

DESCRIPTION

FIG. 1 is a top, front and left side elevation perspective view of the sanitary toilet with the toilet seat and lid in the up position;

FIG. 2 is an enlarged partial view of notches in the toilet seat and lid of the sanitary toilet with the toilet seat and lid in the up position;

FIG. 3 is a right side elevation view of the sanitary toilet with the toilet seat and lid in the up position;

FIG. 4 is a left side elevation view of the sanitary toilet with the toilet seat and lid in the up position;

FIG. 5 is a bottom view of the sanitary toilet; and

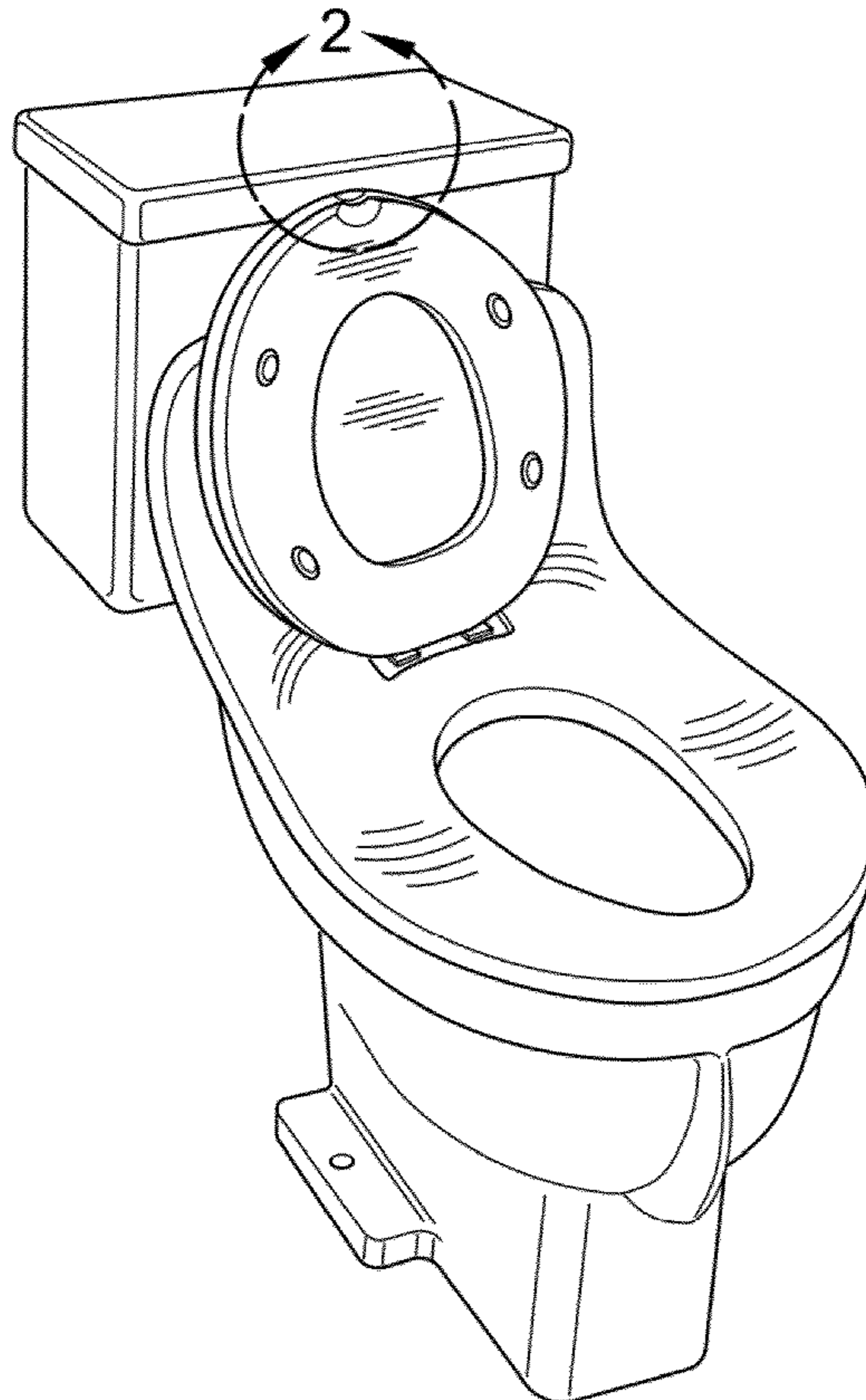
FIG. 6 is a top plan view of the sanitary toilet; bottom plan view of the sanitary toilet.

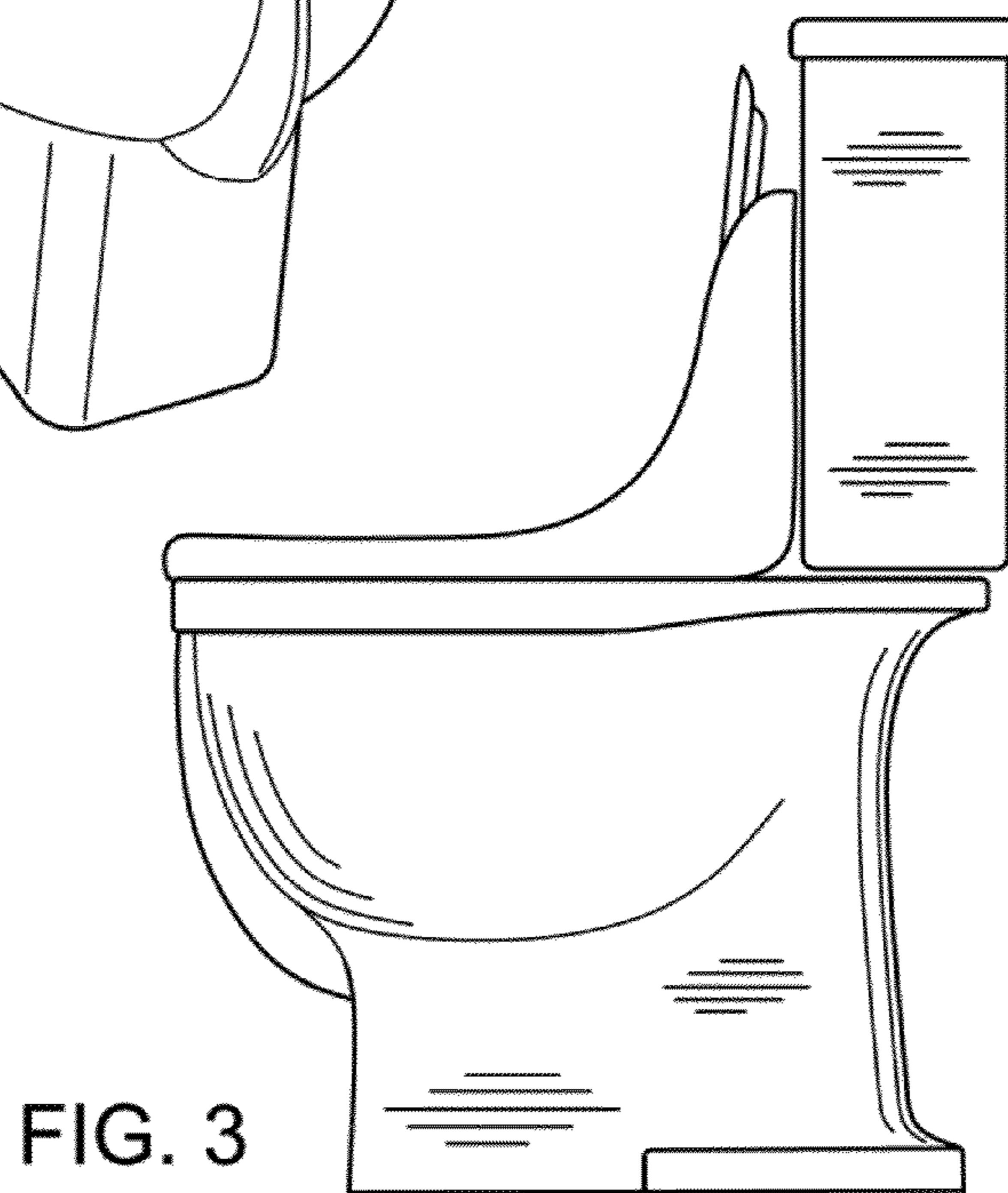
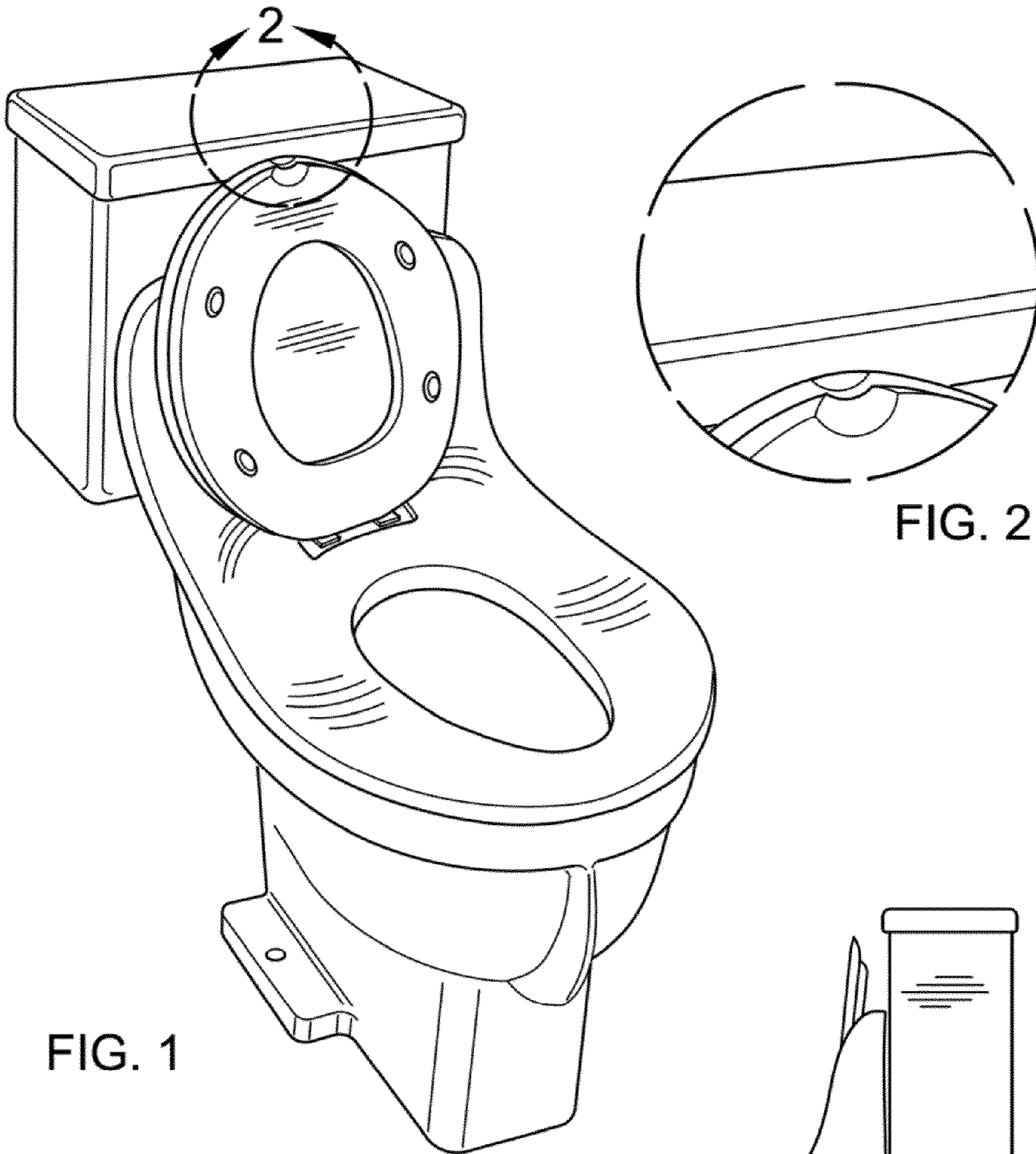
FIG. 7 is a front view of the sanitary toilet with the toilet seat and lid in the up position;

FIG. 8 is a rear view of the sanitary toilet; and,

FIG. 9 is a top plan view of the sanitary toilet with the toilet seat and lid in the down position.

1 Claim, 3 Drawing Sheets





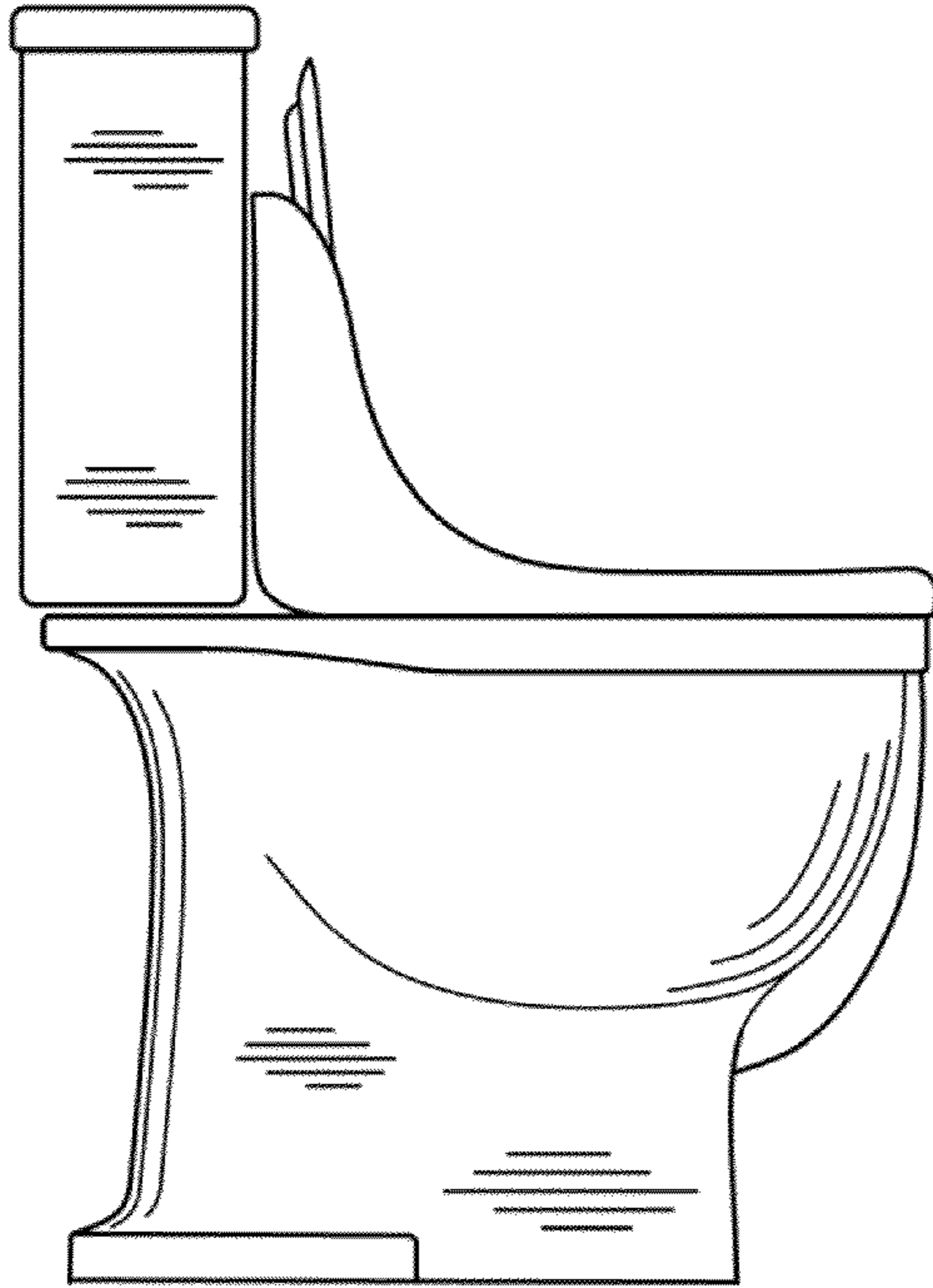


FIG. 4

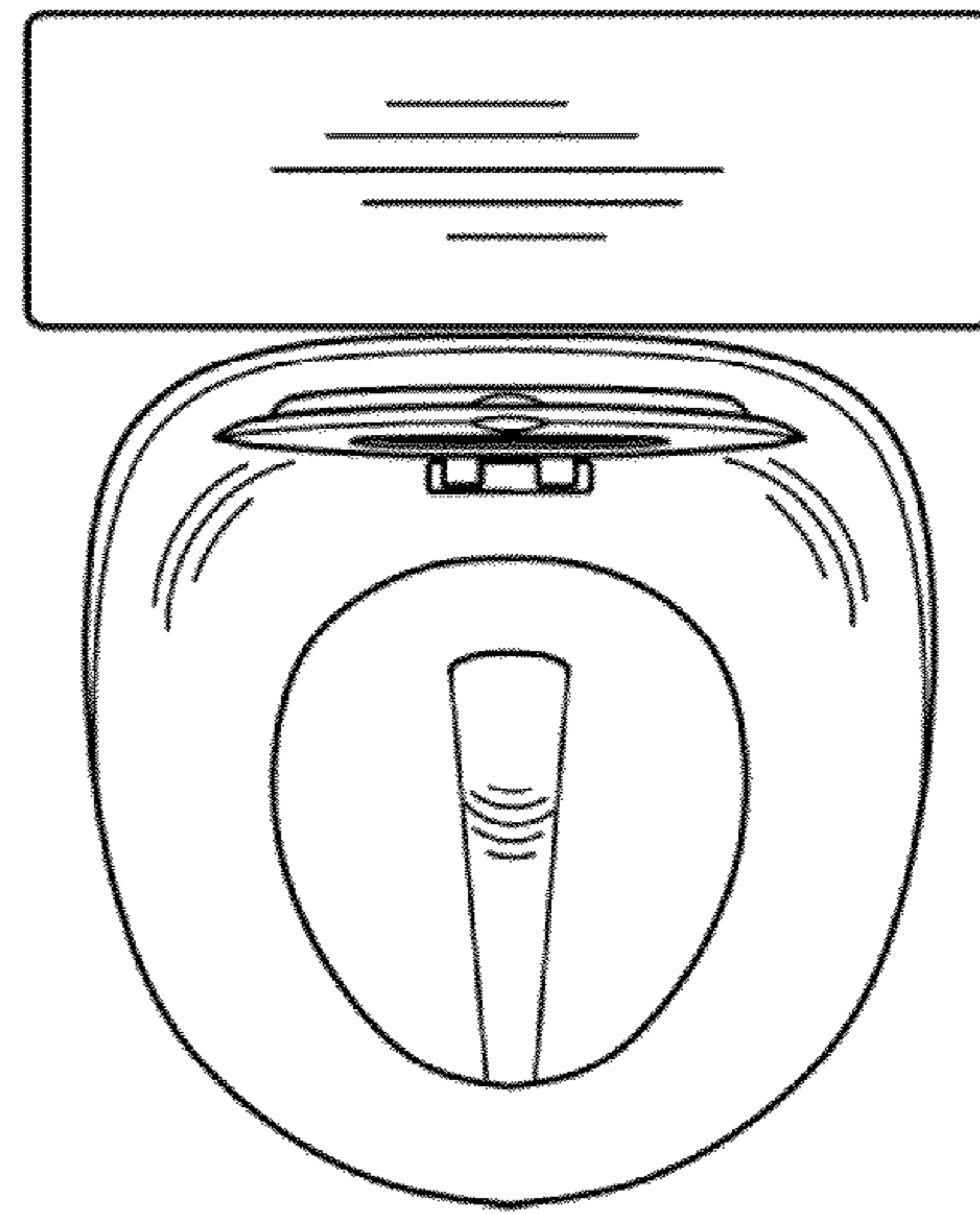


FIG. 6

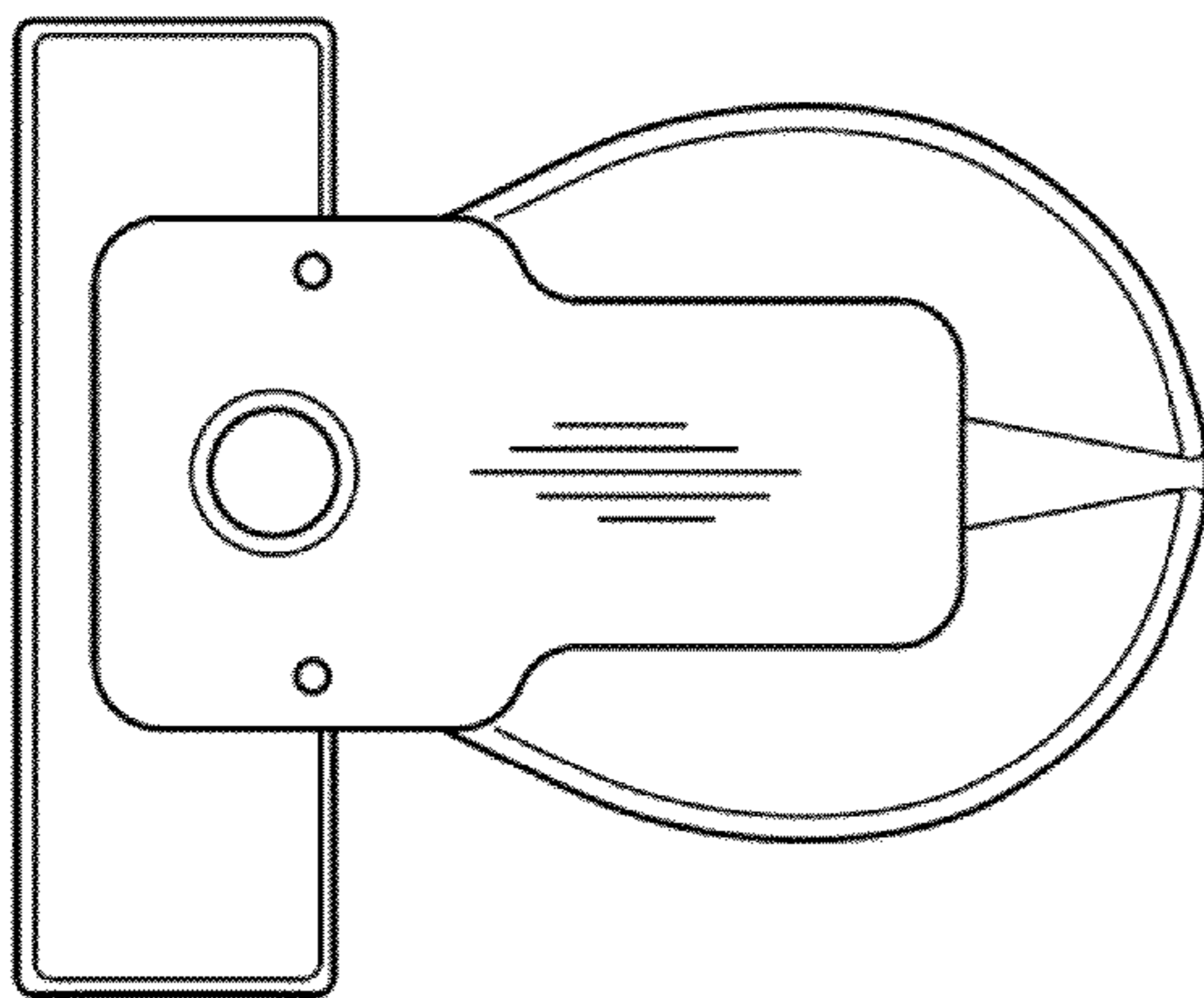


FIG. 5

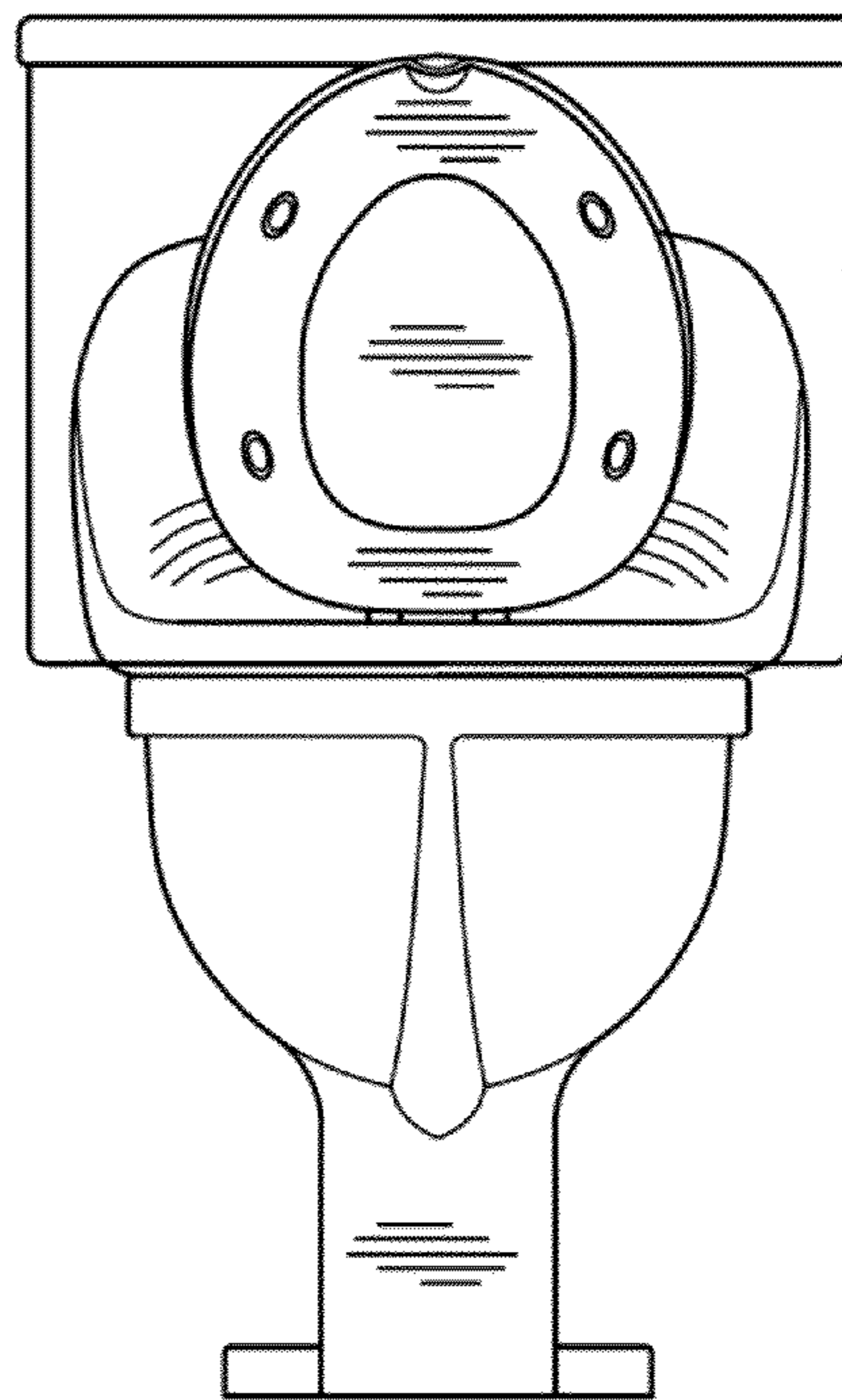


FIG. 7

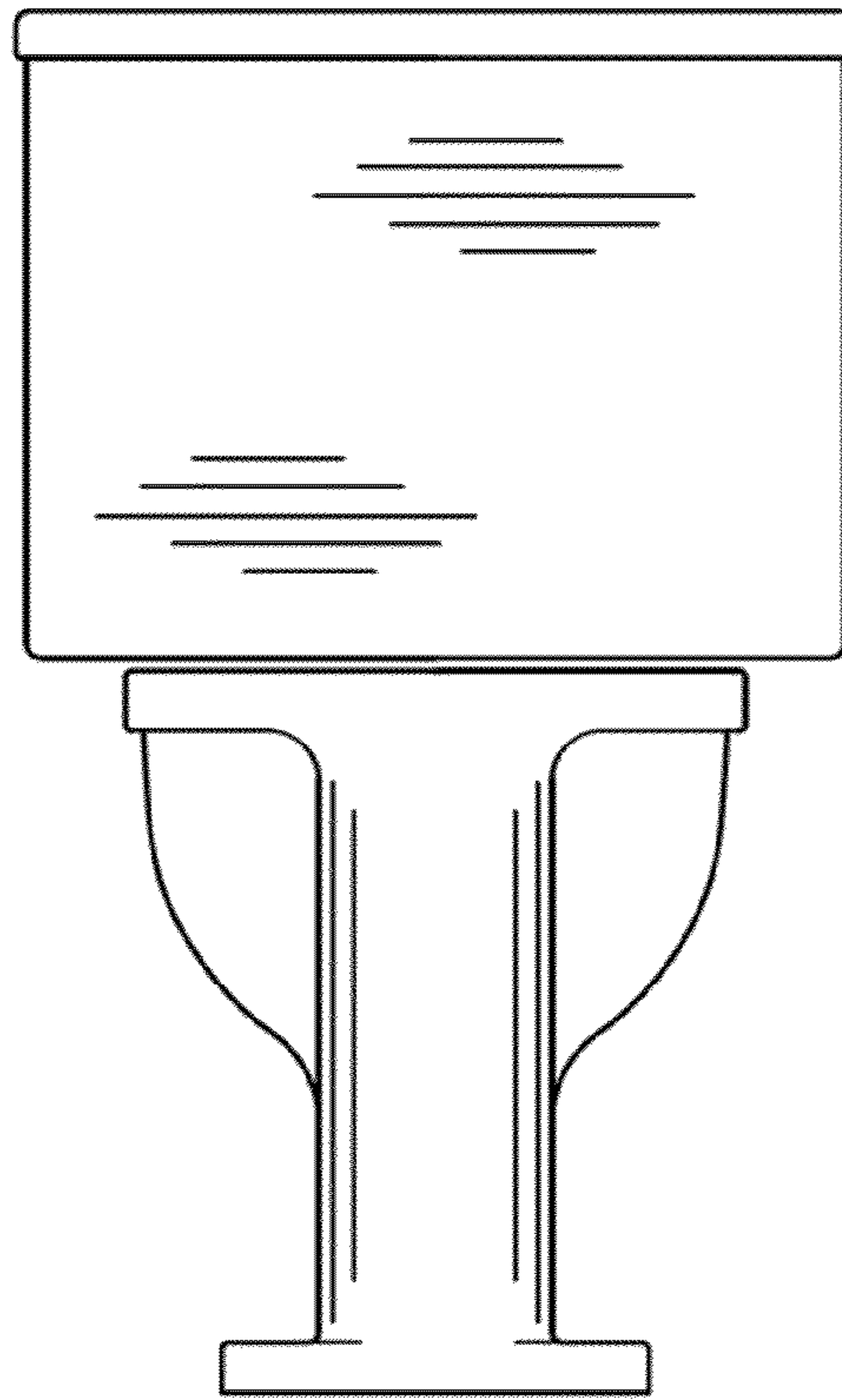


FIG. 8

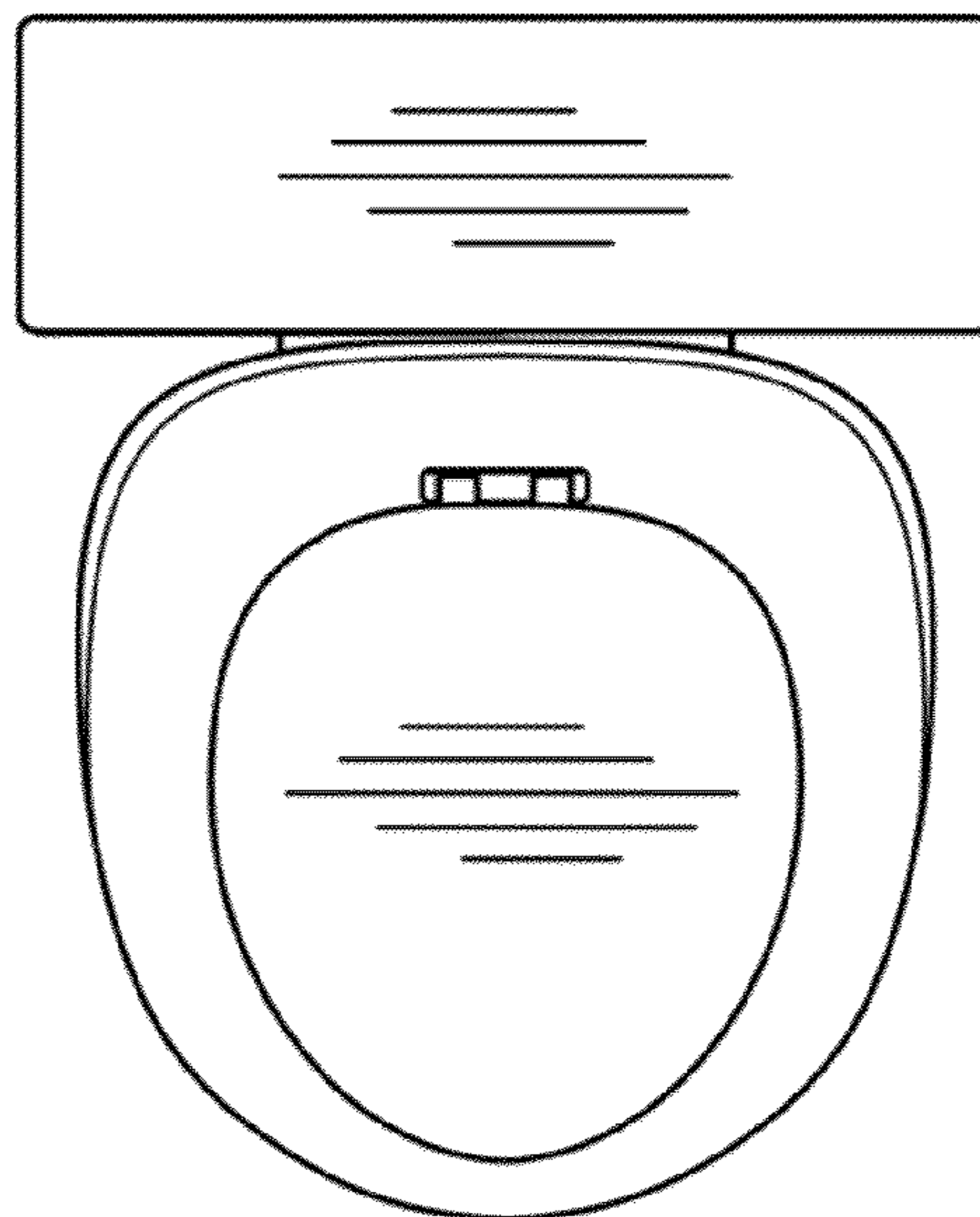


FIG. 9