



US00D685066S

(12) **United States Design Patent**
Erli

(10) **Patent No.:** **US D685,066 S**
(45) **Date of Patent:** **** Jun. 25, 2013**

(54) **POTTY CHAIR**

(71) Applicant: **Okbaby S.R.L.**, Telgate (IT)

(72) Inventor: **Silvia Erli**, Telgate (IT)

(73) Assignee: **Okbaby S.R.L.**, Telgate (IT)

(**) Term: **14 Years**

(21) Appl. No.: **29/444,594**

(22) Filed: **Jan. 31, 2013**

(30) **Foreign Application Priority Data**

Sep. 20, 2012 (EM) 002106617-0001

(51) **LOC (9) Cl.** **23-02**

(52) **U.S. Cl.**
USPC **D23/296**

(58) **Field of Classification Search**
USPC D23/296-299, 303, 309; 4/902, DIG. 5
See application file for complete search history.

(56) **References Cited**

U.S. PATENT DOCUMENTS

D599,450 S * 9/2009 Warfaa D23/296
D639,402 S * 6/2011 Rathbone D23/296
D670,365 S * 11/2012 Tu D23/296

* cited by examiner

Primary Examiner — Robert Delehanty

(74) *Attorney, Agent, or Firm* — Pearne & Gordon LLP

(57) **CLAIM**

The ornamental design for a potty chair, as shown and described.

DESCRIPTION

FIG. 1 is a front-left perspective view of a first embodiment of a potty chair, showing my new design;

FIG. 2 is a front view thereof;

FIG. 3 is a back view thereof;

FIG. 4 is a top view thereof;

FIG. 5 is a bottom view thereof;

FIG. 6 is a right side view thereof;

FIG. 7 is a left side view thereof;

FIG. 8 is a front-left perspective view of a second embodiment of a potty chair according to the invention;

FIG. 9 is a front view thereof;

FIG. 10 is a back view thereof;

FIG. 11 is a top view thereof;

FIG. 12 is a bottom view thereof;

FIG. 13 is a right side view thereof; and,

FIG. 14 is a left side view thereof.

1 Claim, 8 Drawing Sheets



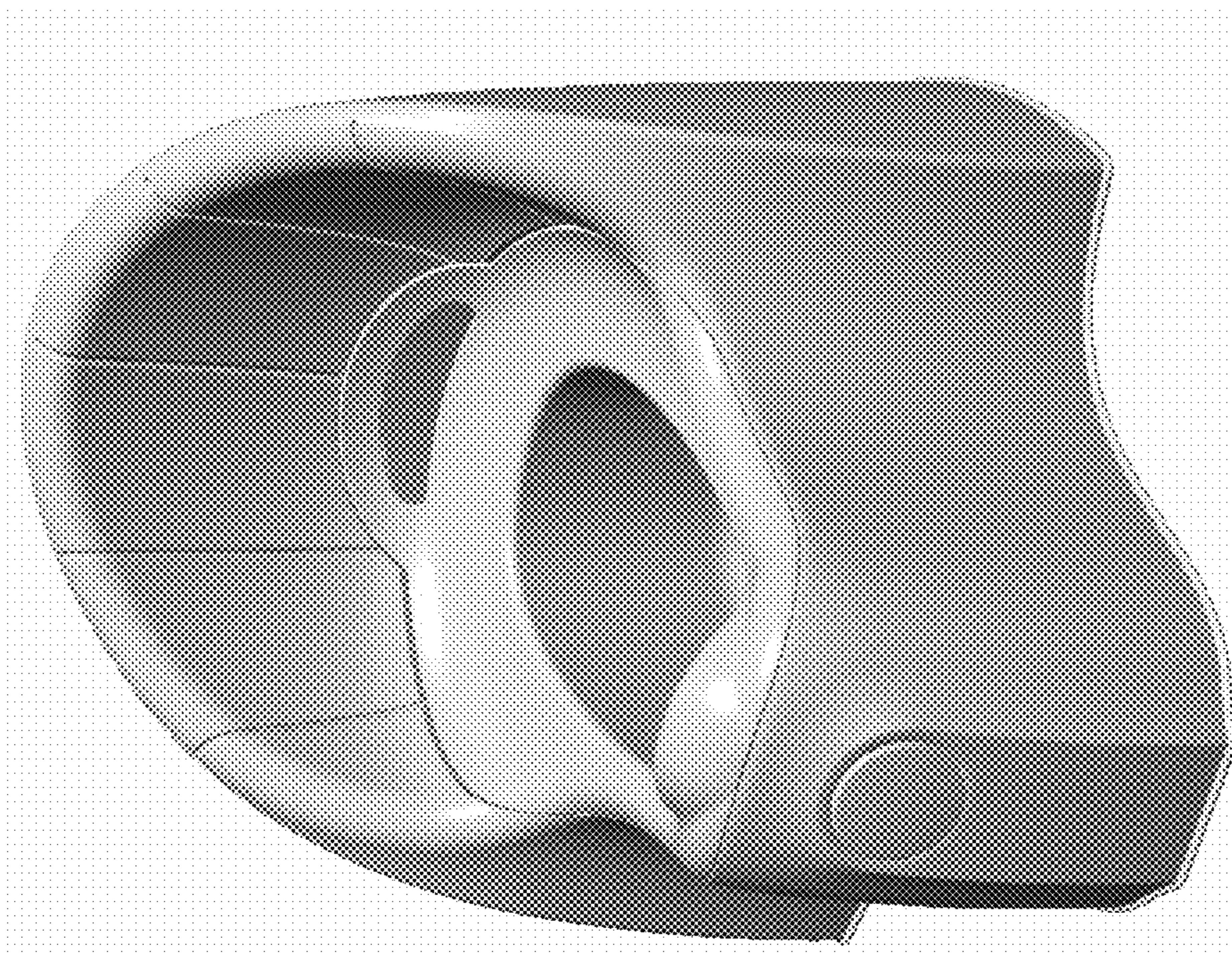


FIG. 1

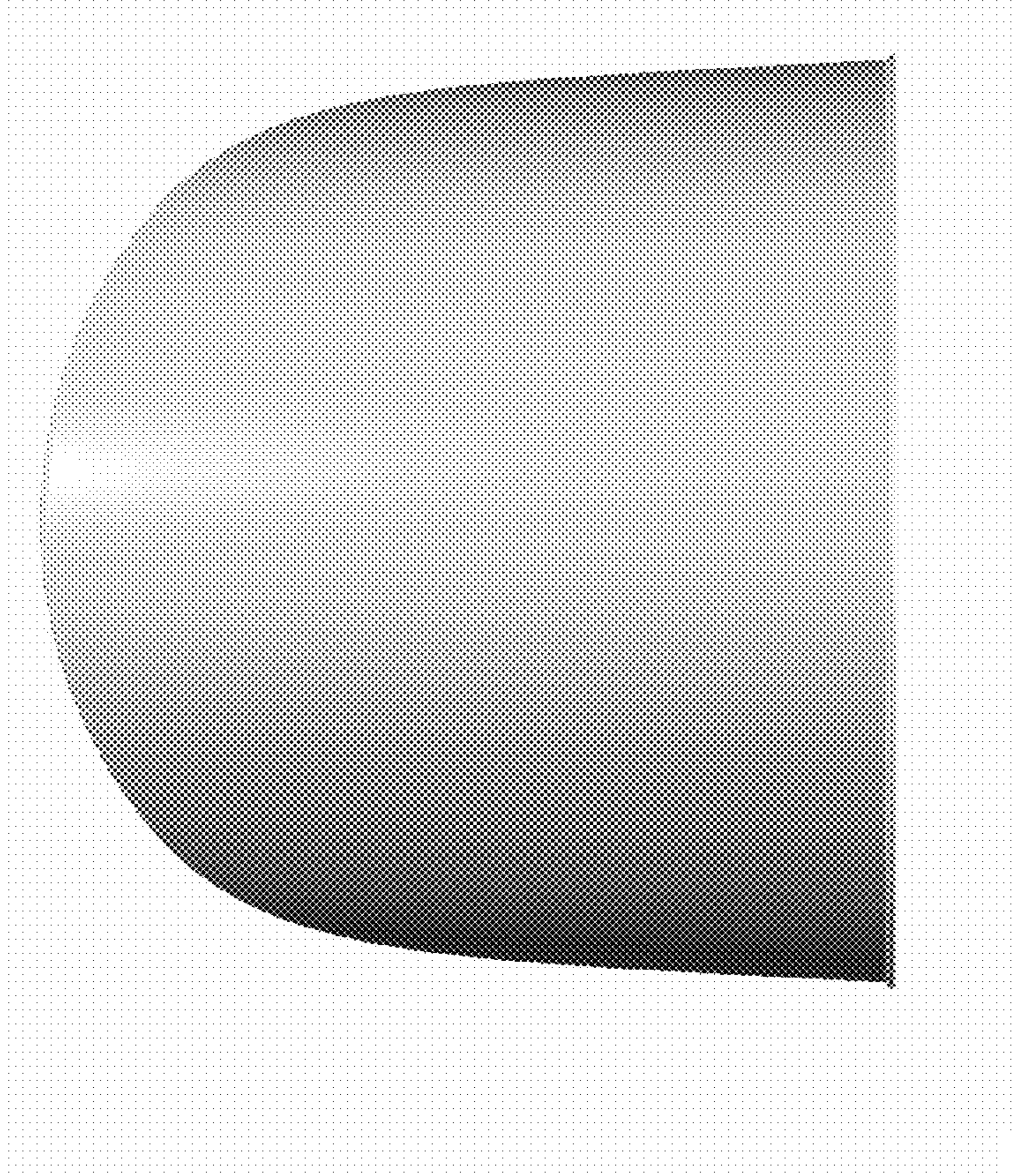


FIG. 2

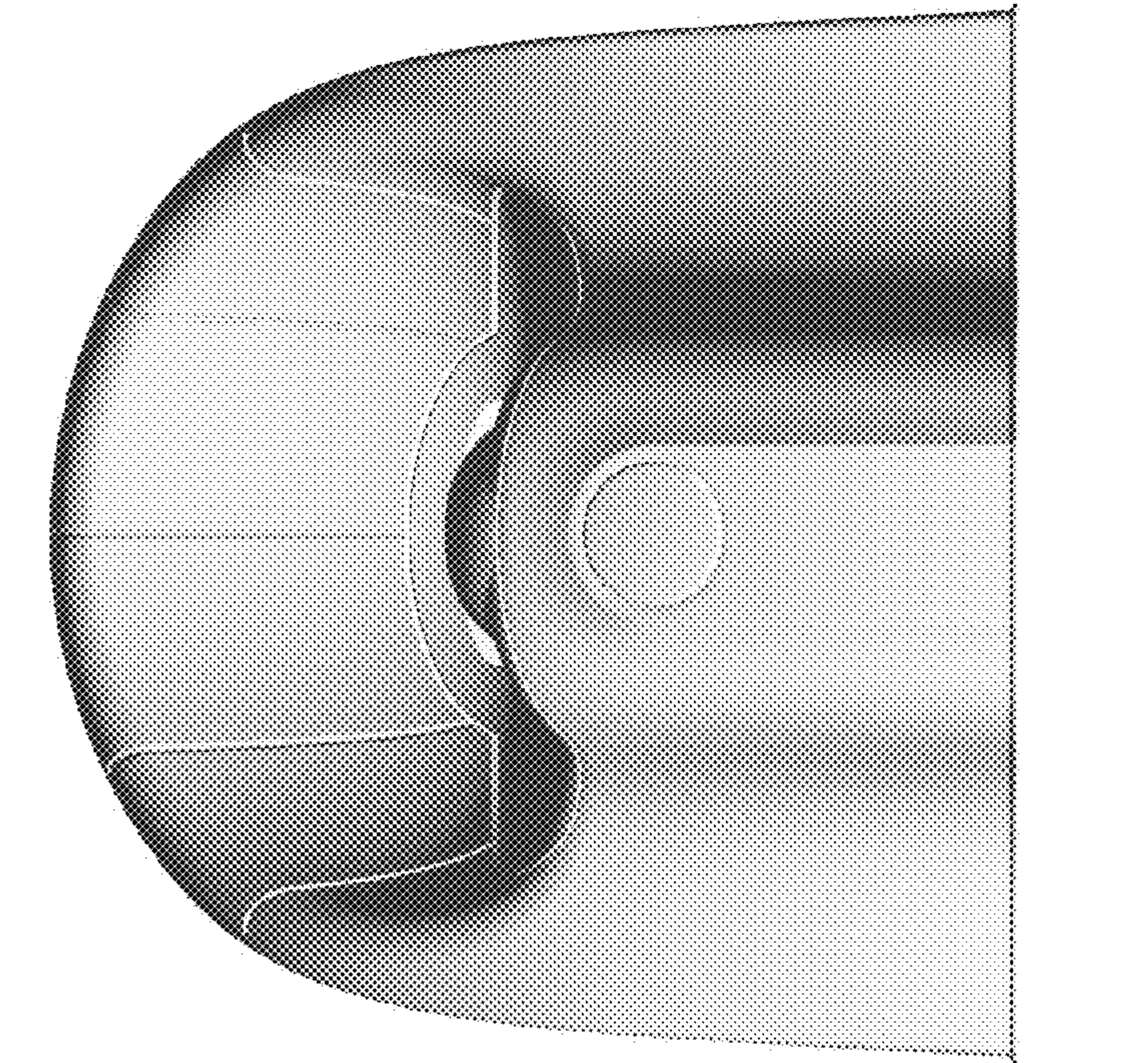


FIG. 3



FIG. 5

FIG. 4

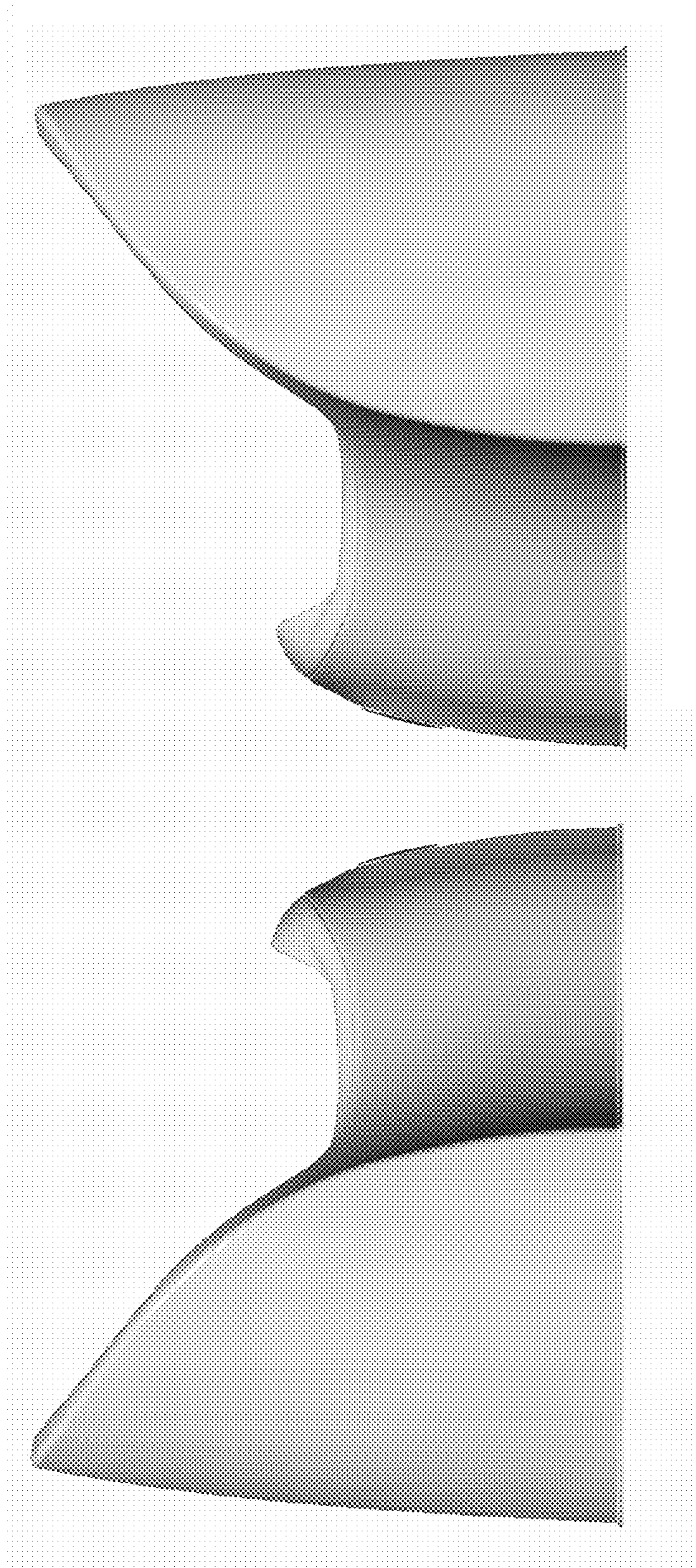


FIG. 6

FIG. 7



FIG. 8

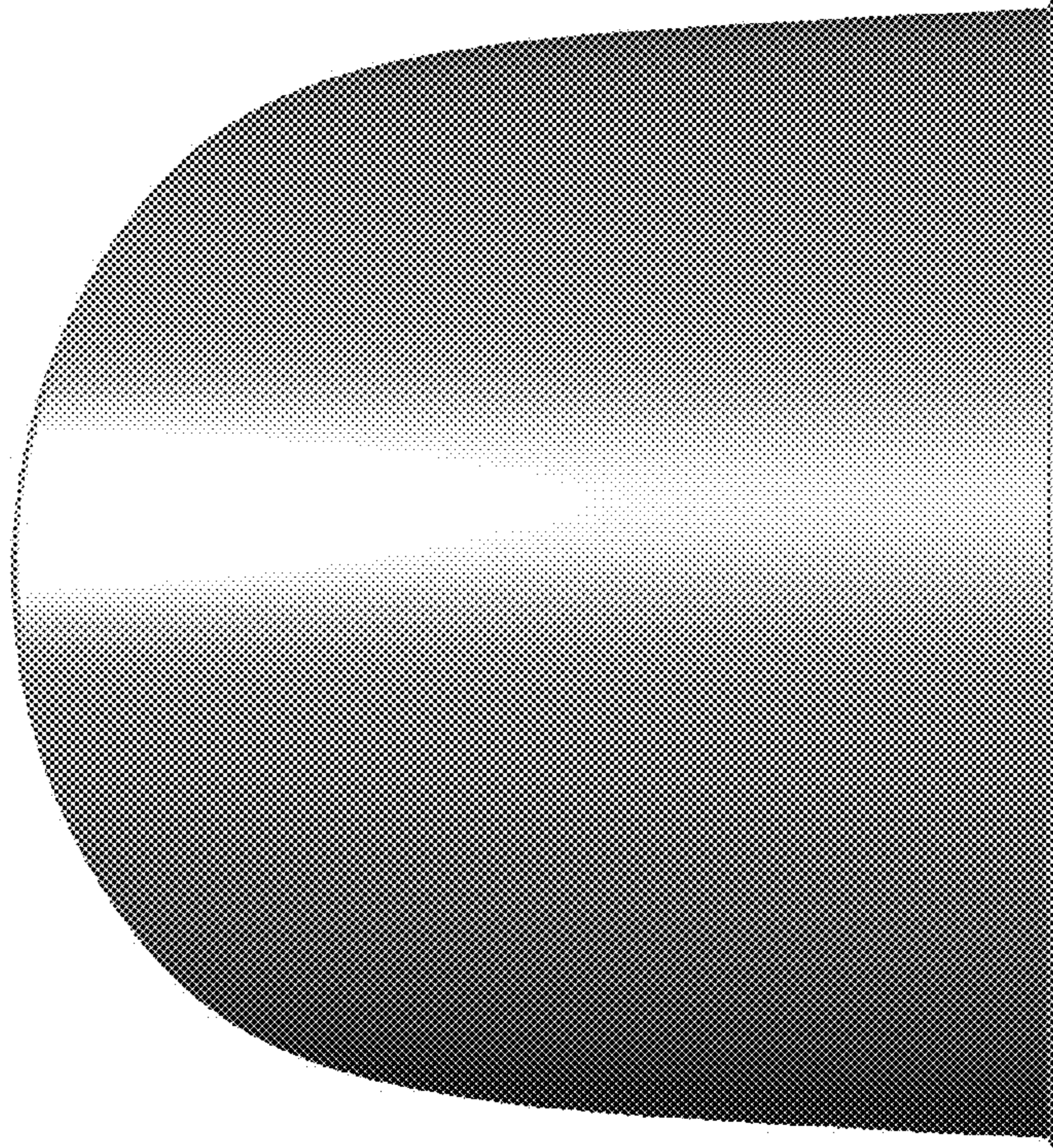


FIG. 9

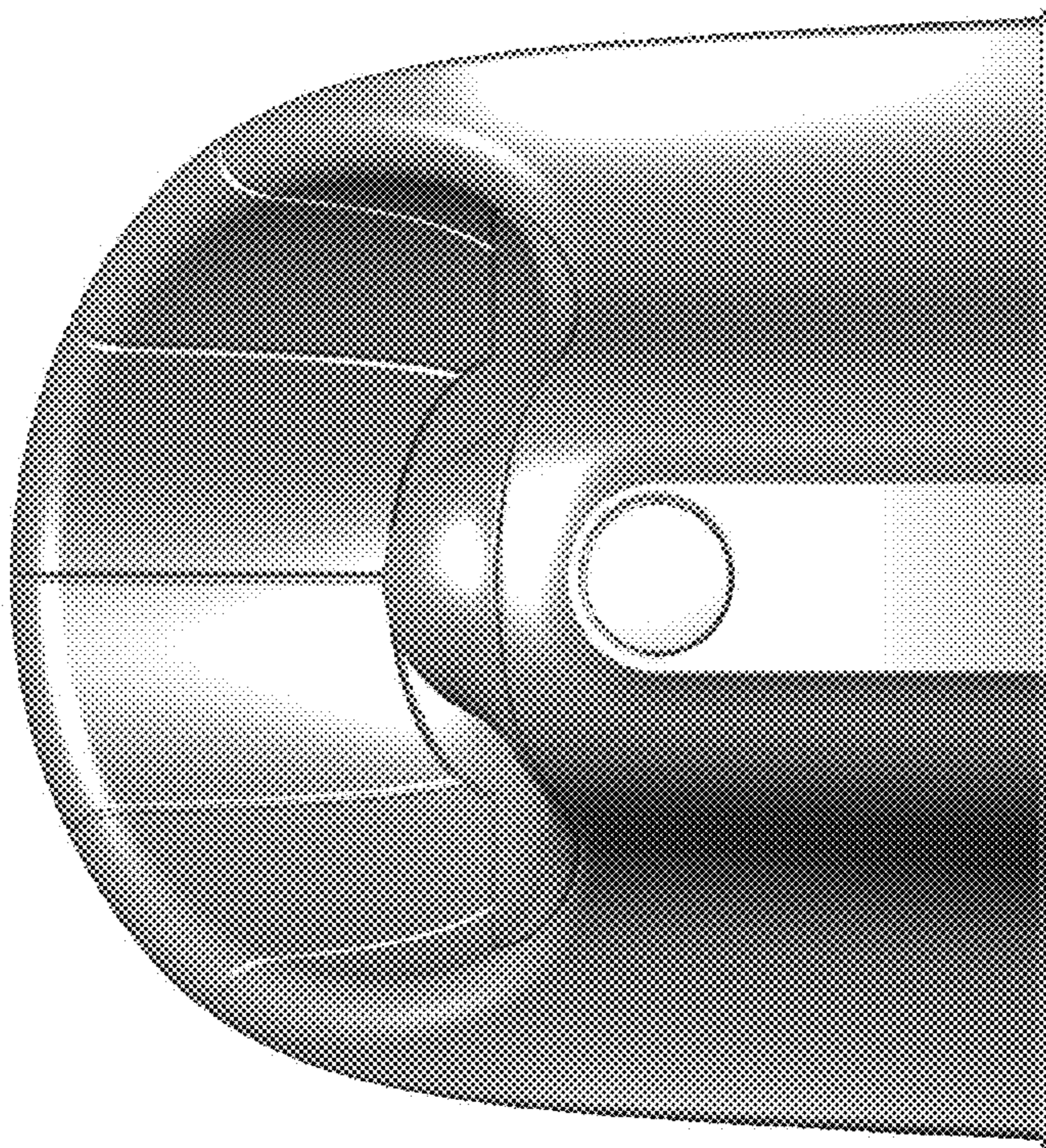


FIG. 10

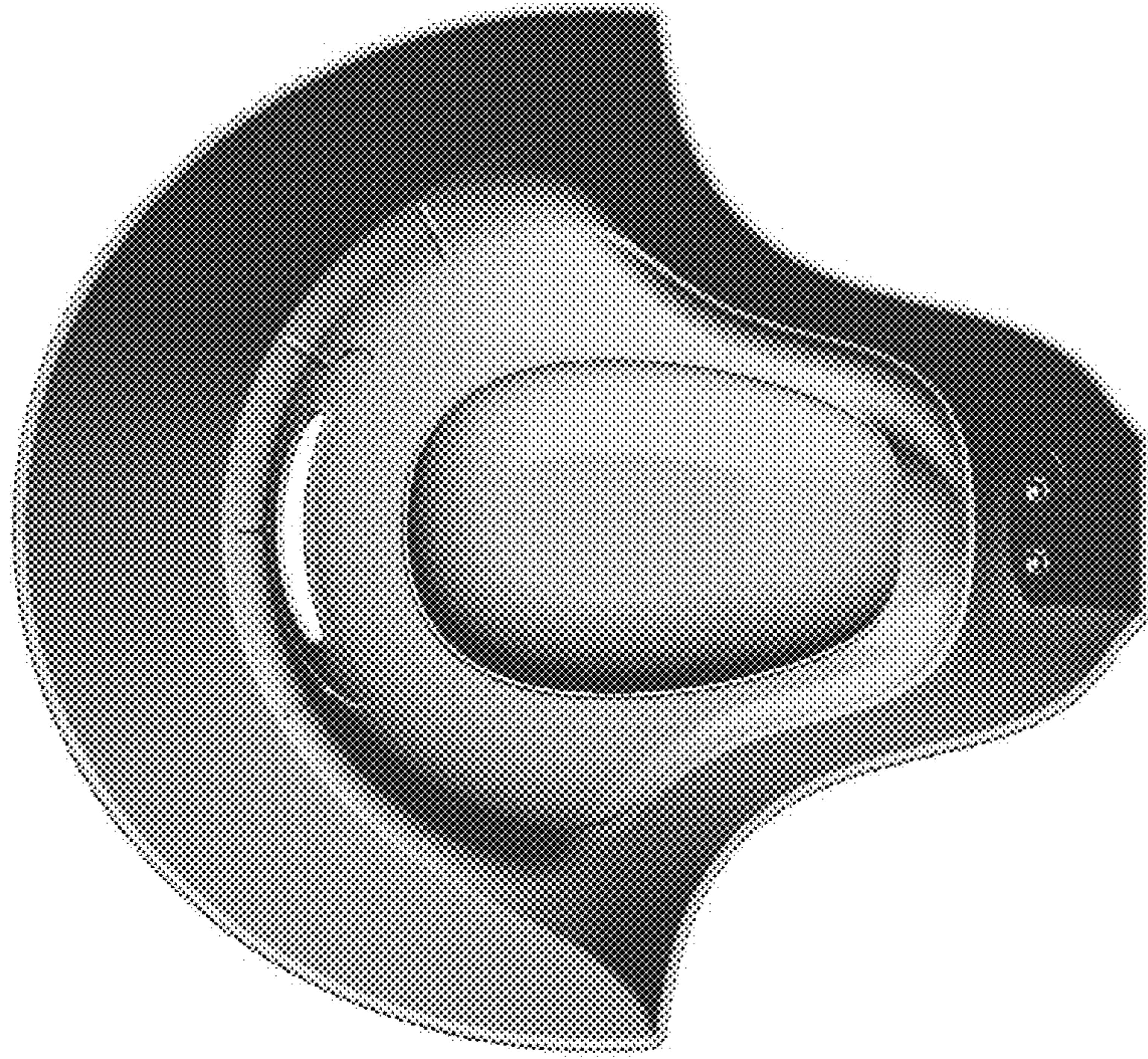


FIG. 12

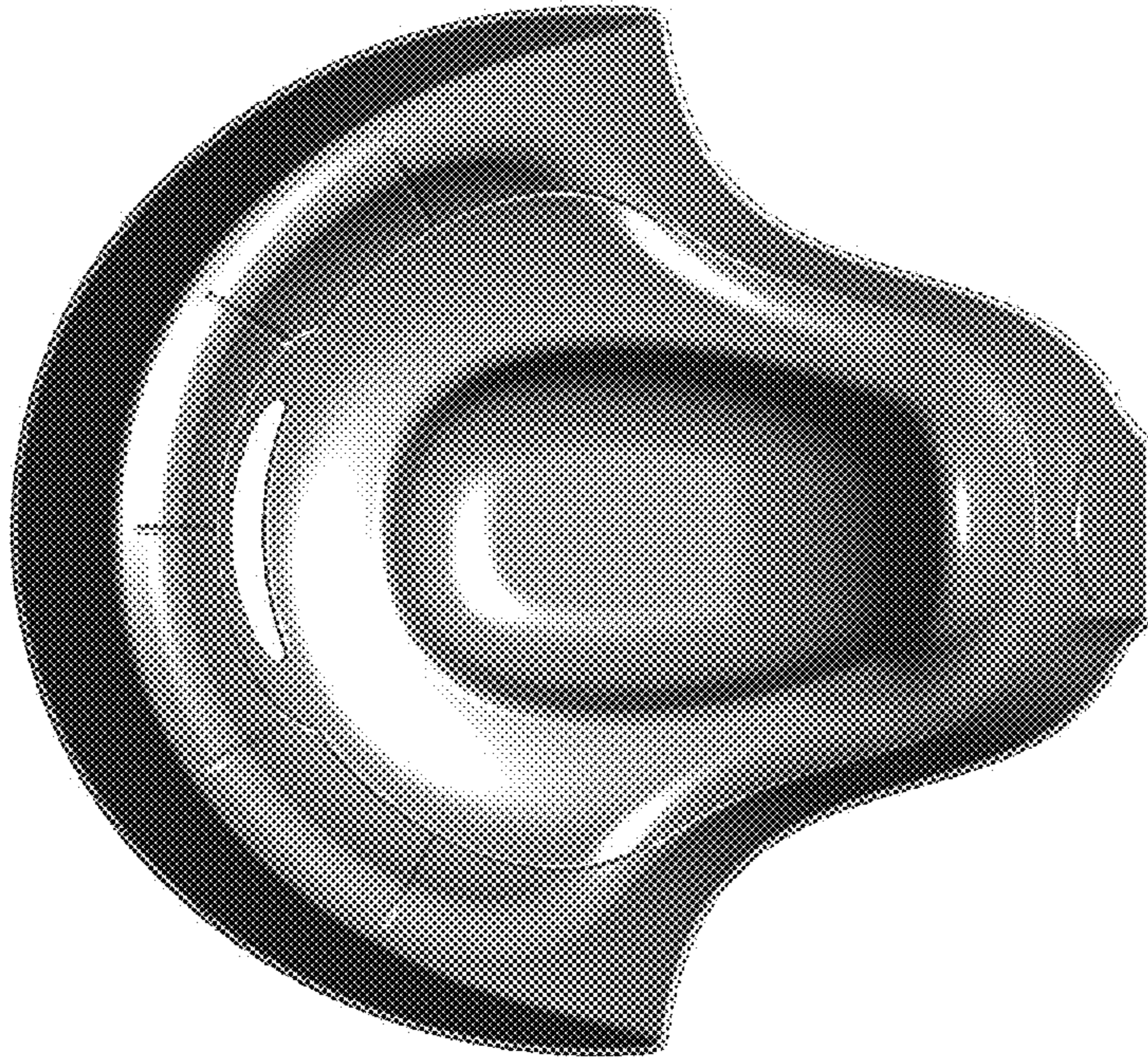


FIG. 11

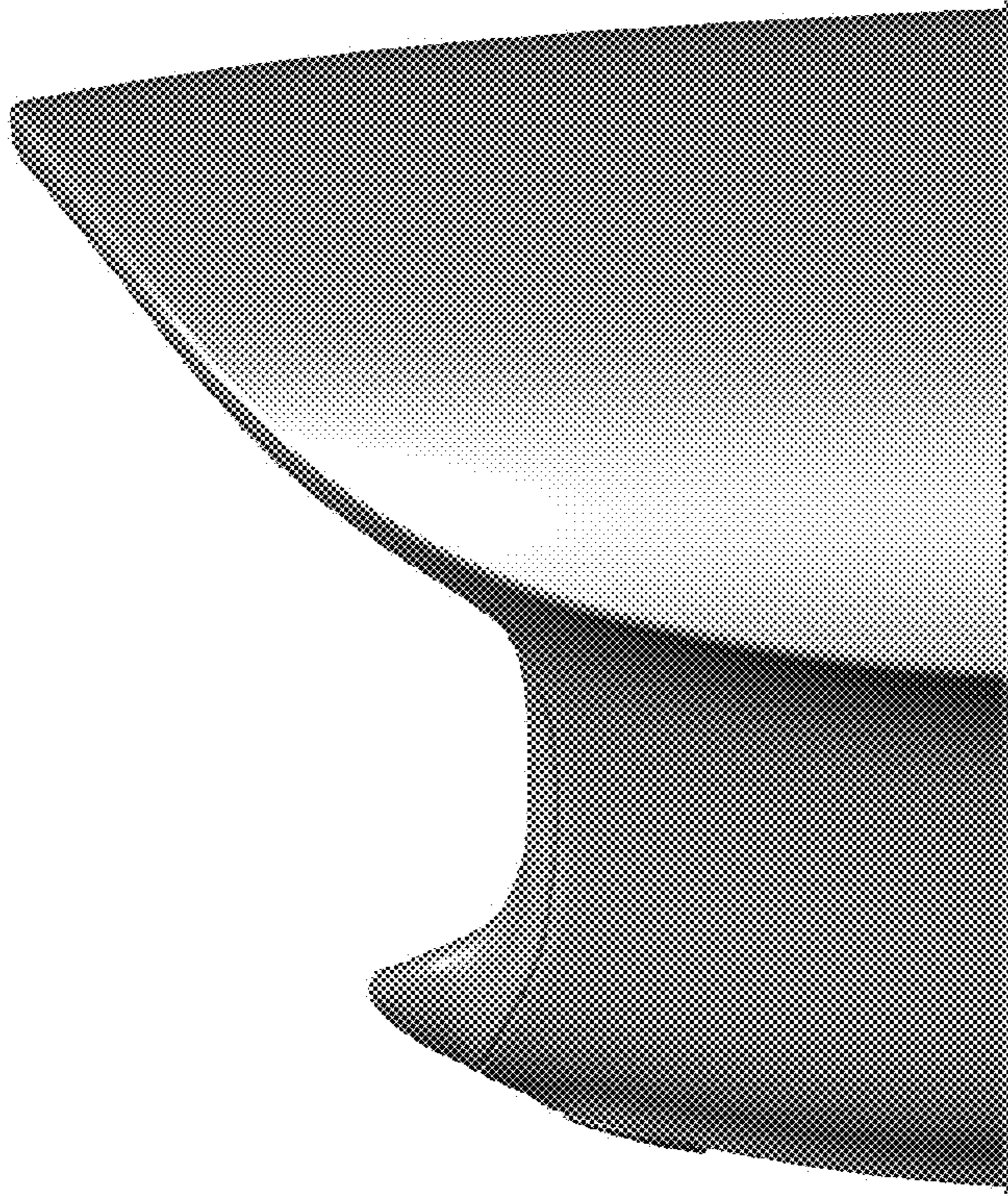


FIG. 13

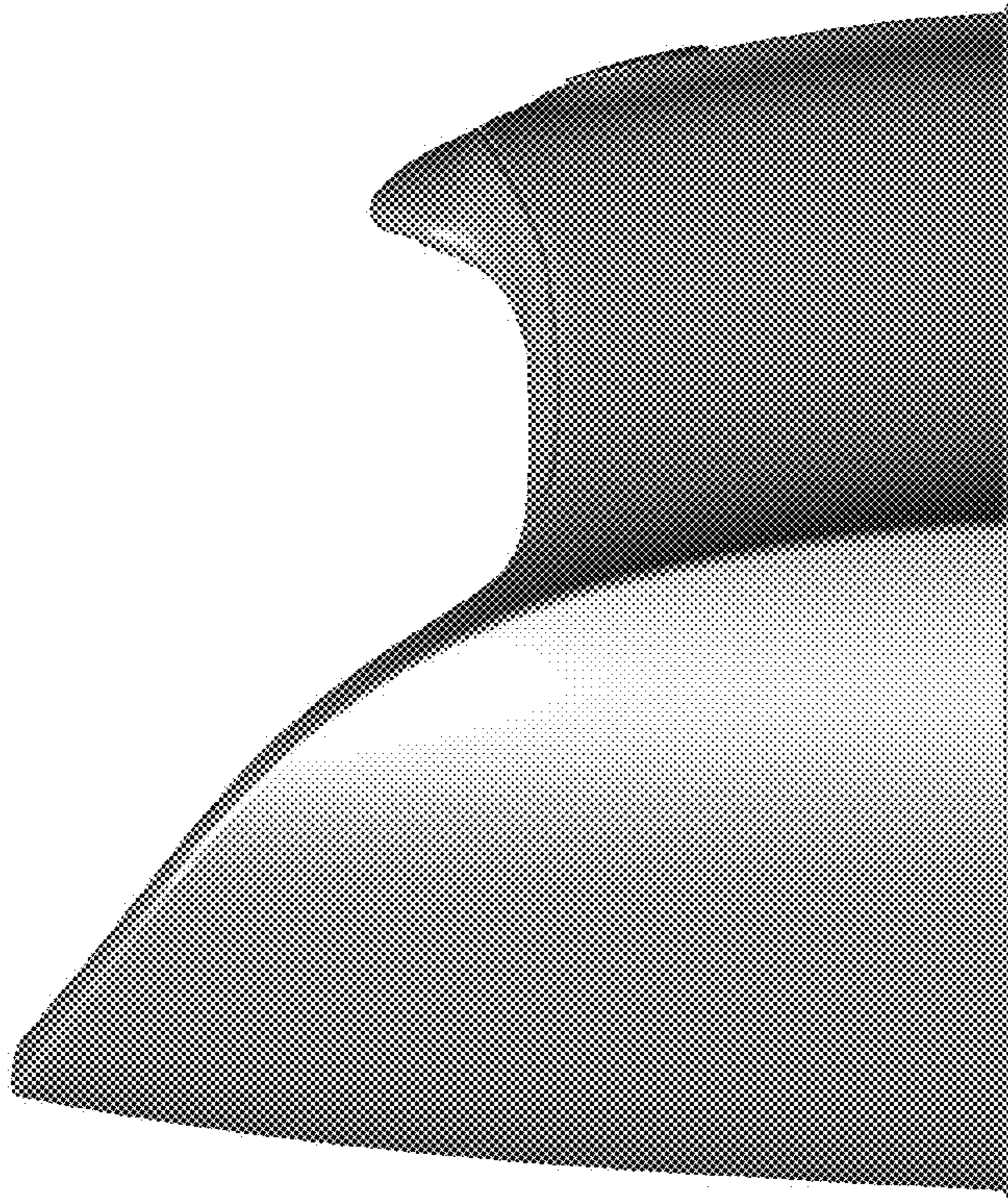


FIG. 14