

US00D685064S

(12) **United States Design Patent**
Yang

(10) **Patent No.:** **US D685,064 S**
(45) **Date of Patent:** **** Jun. 25, 2013**

(54) **FAUCET HANDLE**

(76) Inventor: **Tsai-Chen Yang**, Taichung (TW)

(**) Term: **14 Years**

(21) Appl. No.: **29/416,659**

(22) Filed: **Mar. 26, 2012**

(51) **LOC (9) Cl.** **23-01**

(52) **U.S. Cl.**
USPC **D23/252**

(58) **Field of Classification Search**
USPC D23/238–243, 250, 252; 4/675–678;
137/801

See application file for complete search history.

(56) **References Cited**

U.S. PATENT DOCUMENTS

D472,611 S * 4/2003 Piatt D23/252
D517,648 S * 3/2006 Kulig et al. D23/238
D568,967 S * 5/2008 Williams et al. D23/250

D666,695 S * 9/2012 Kulig et al. D23/238

* cited by examiner

Primary Examiner — Robert Delehanty

(74) *Attorney, Agent, or Firm* — Muncy, Geissler, Olds & Lowe, PLLC

(57) **CLAIM**

I claim the ornamental design for a faucet handle, as shown and described.

DESCRIPTION

FIG. 1 is a perspective view of a faucet handle showing my new design;

FIG. 2 is a front view thereof;

FIG. 3 is a rear view thereof;

FIG. 4 is a left view thereof;

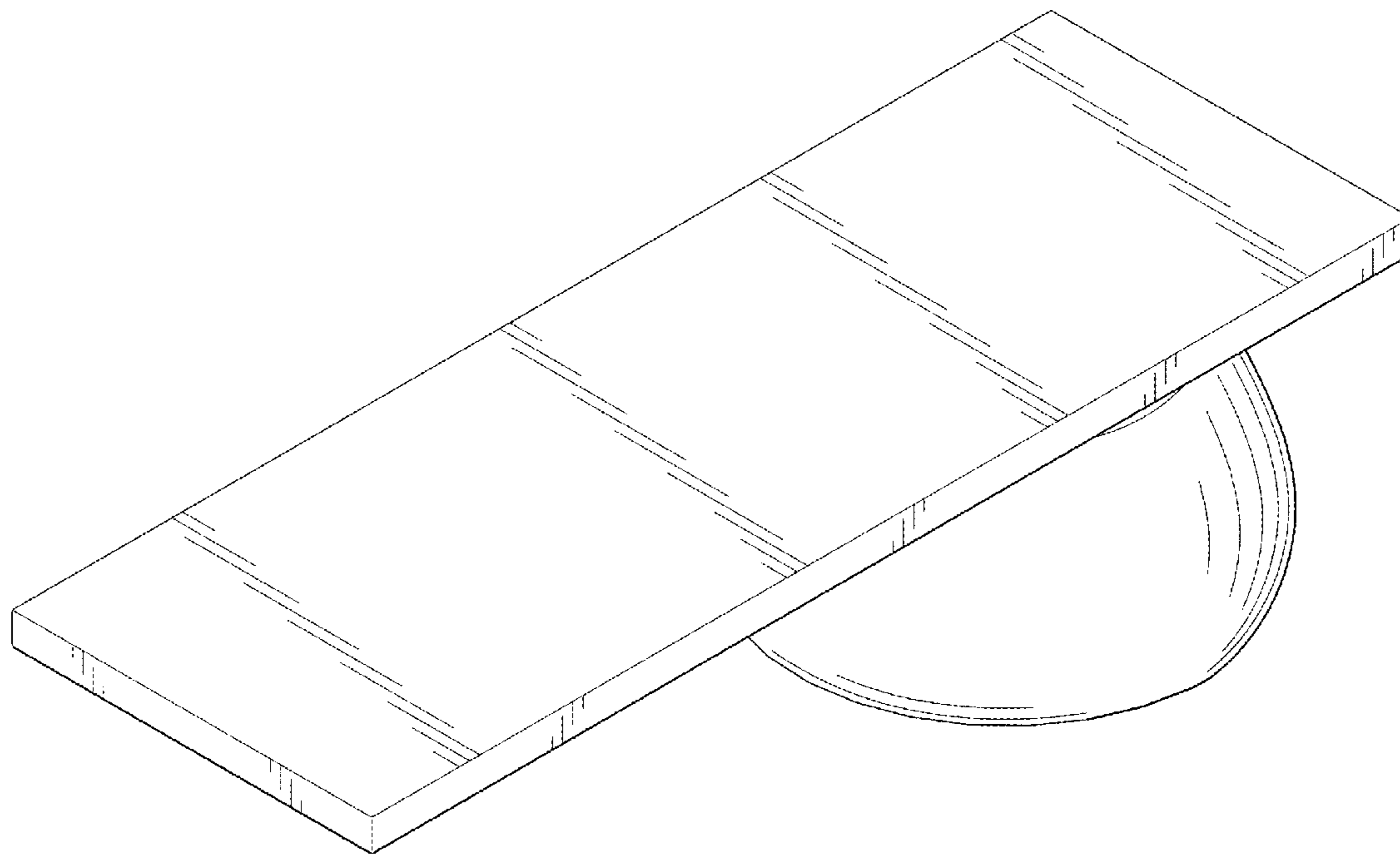
FIG. 5 is a right view thereof;

FIG. 6 is a top plan view thereof; and,

FIG. 7 is a bottom plan view thereof.

The portions shown in broken lines in FIG. 7 are for illustrative purposes only and form no part of the claimed design.

1 Claim, 6 Drawing Sheets



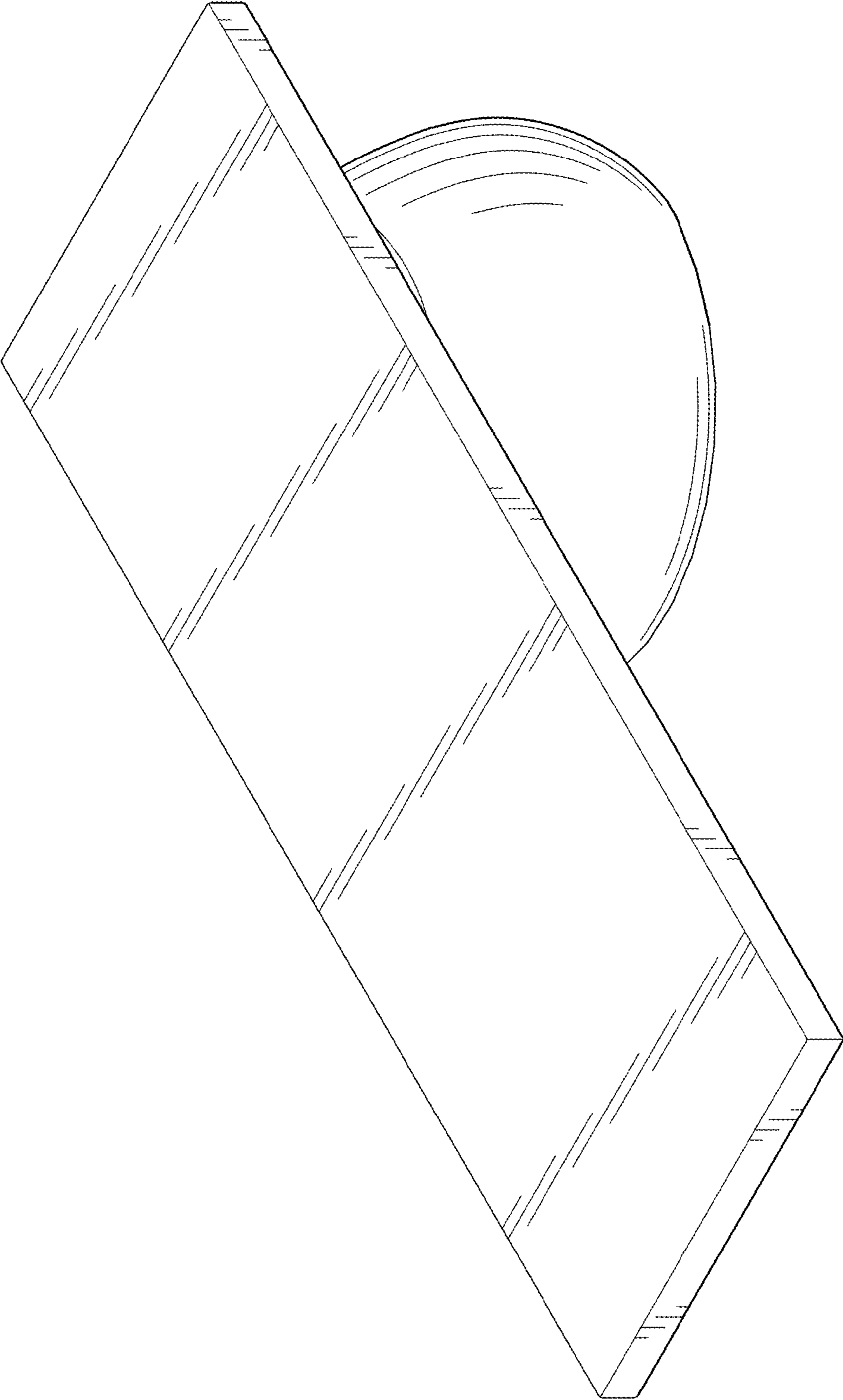


FIG. 1

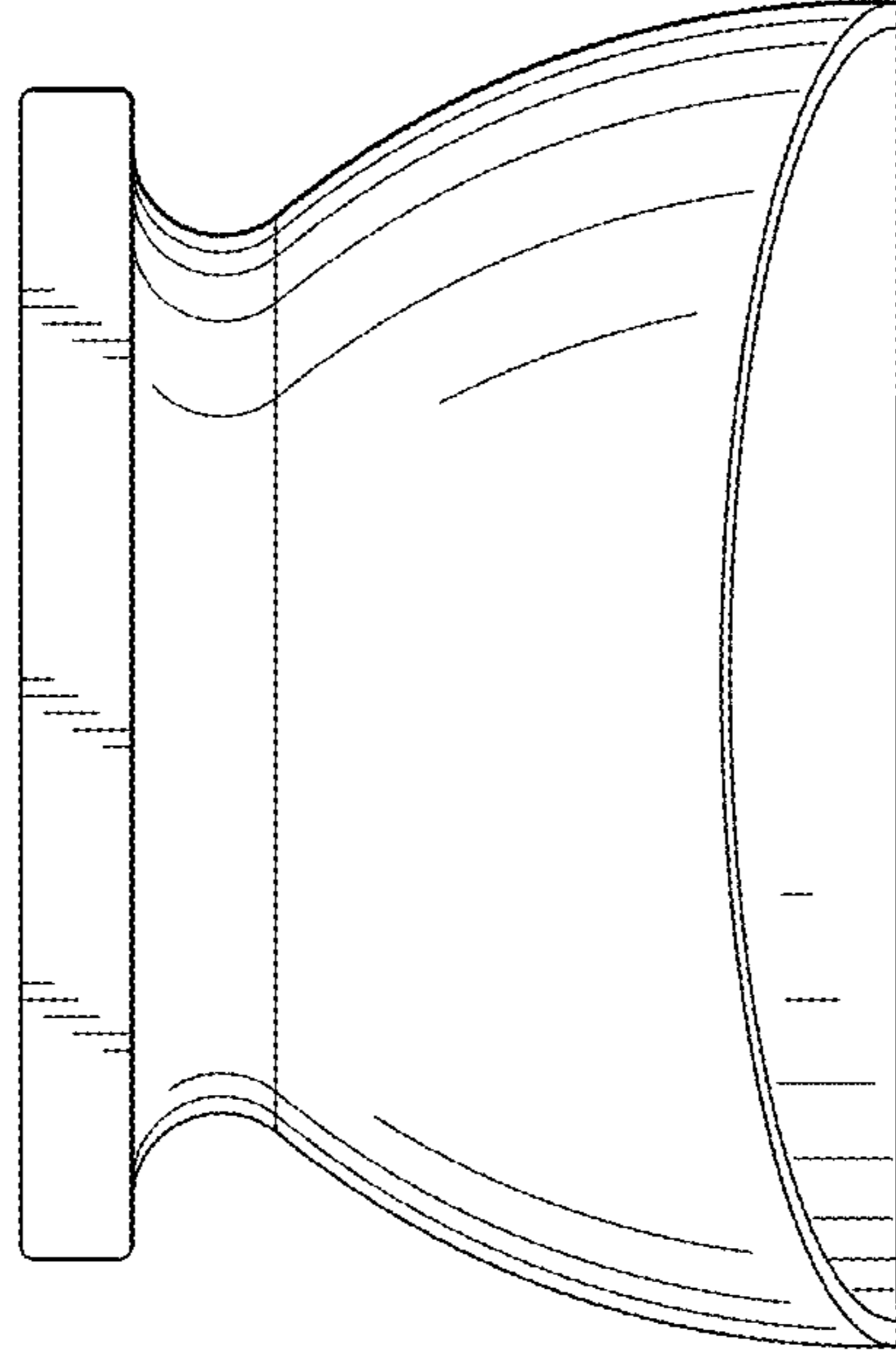


FIG. 2

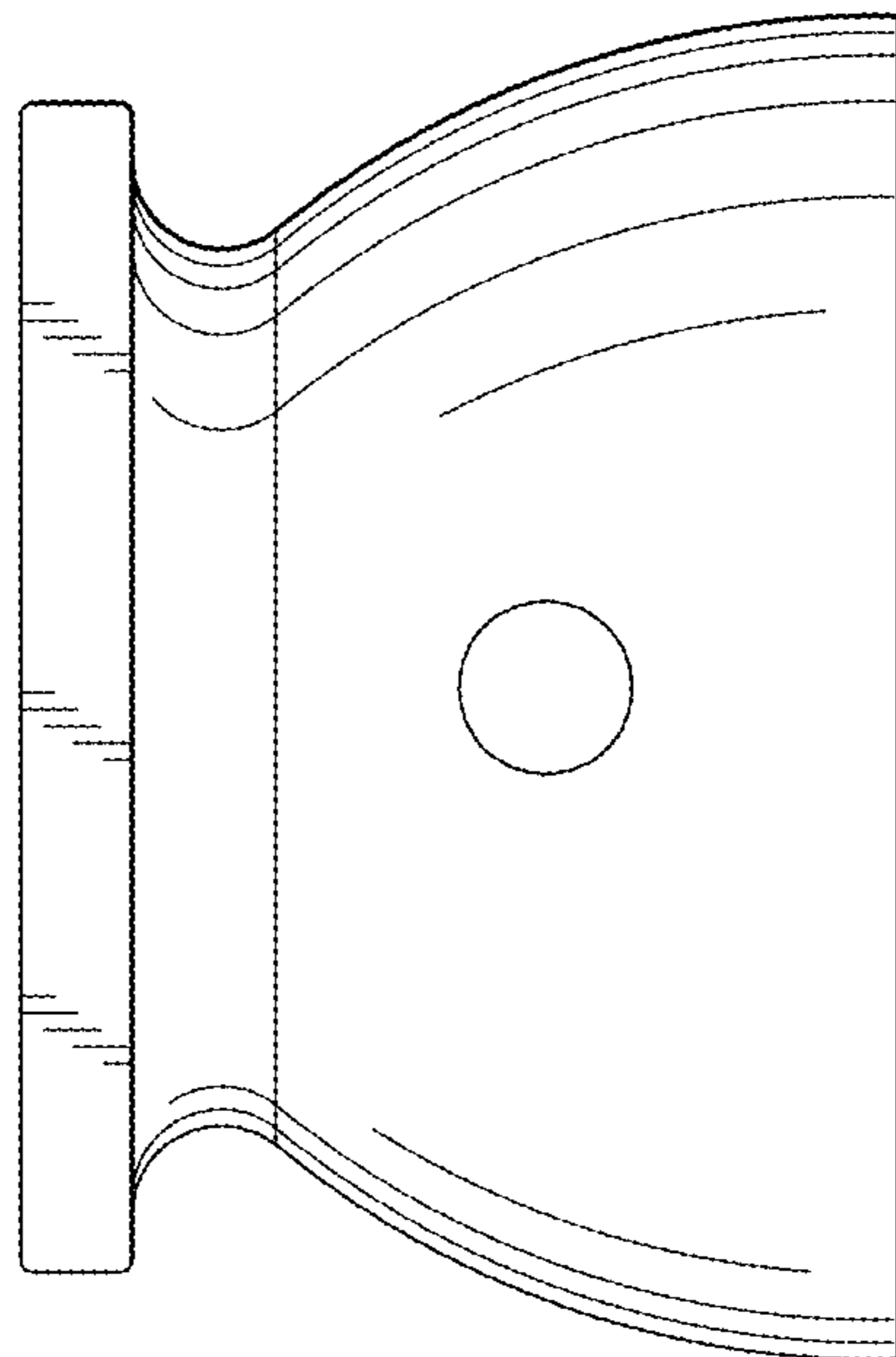


FIG. 3

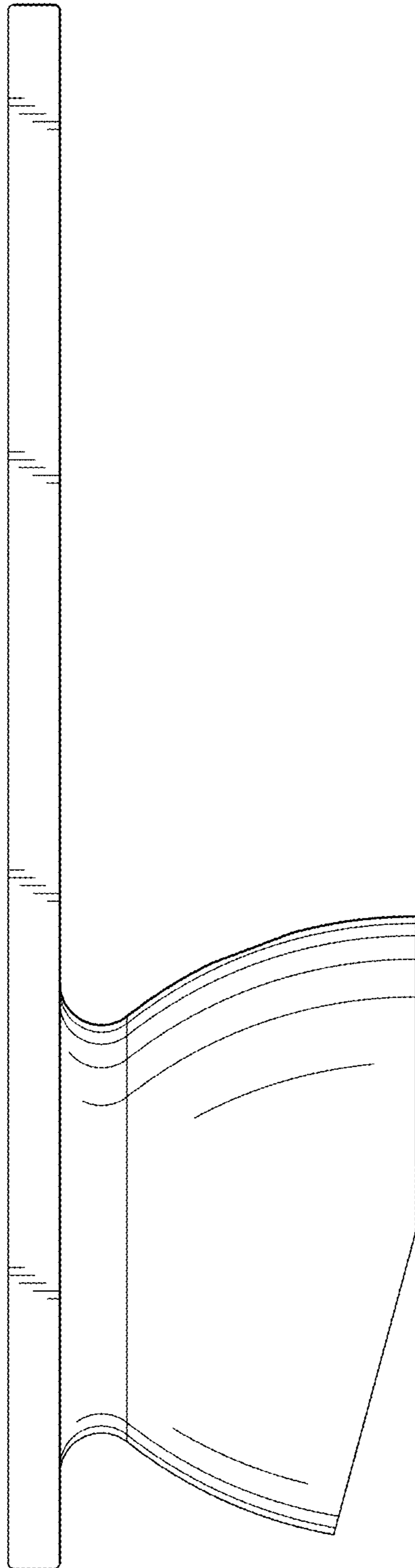


FIG. 4

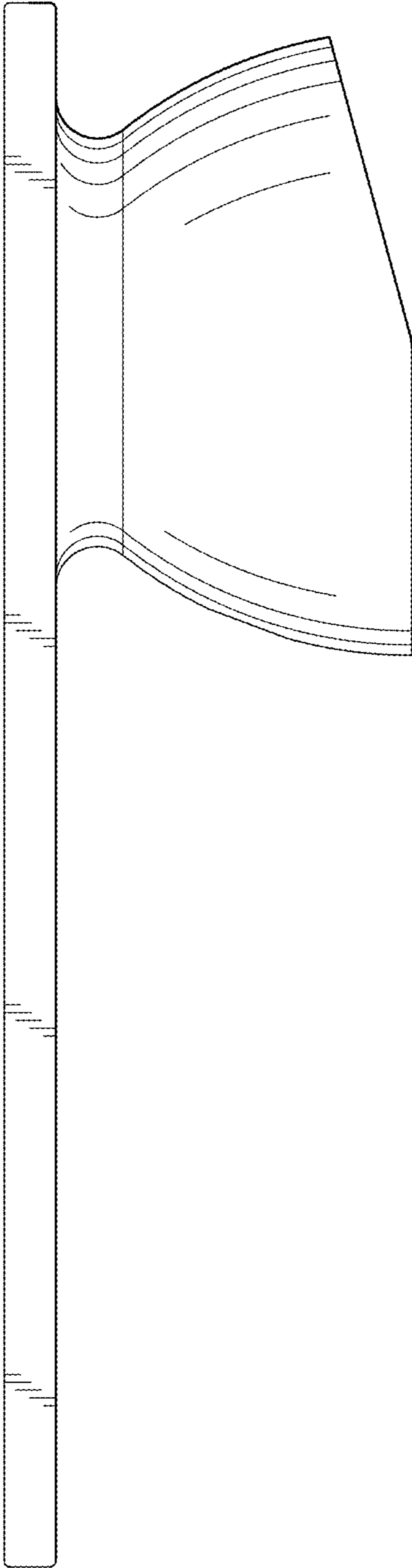


FIG. 5

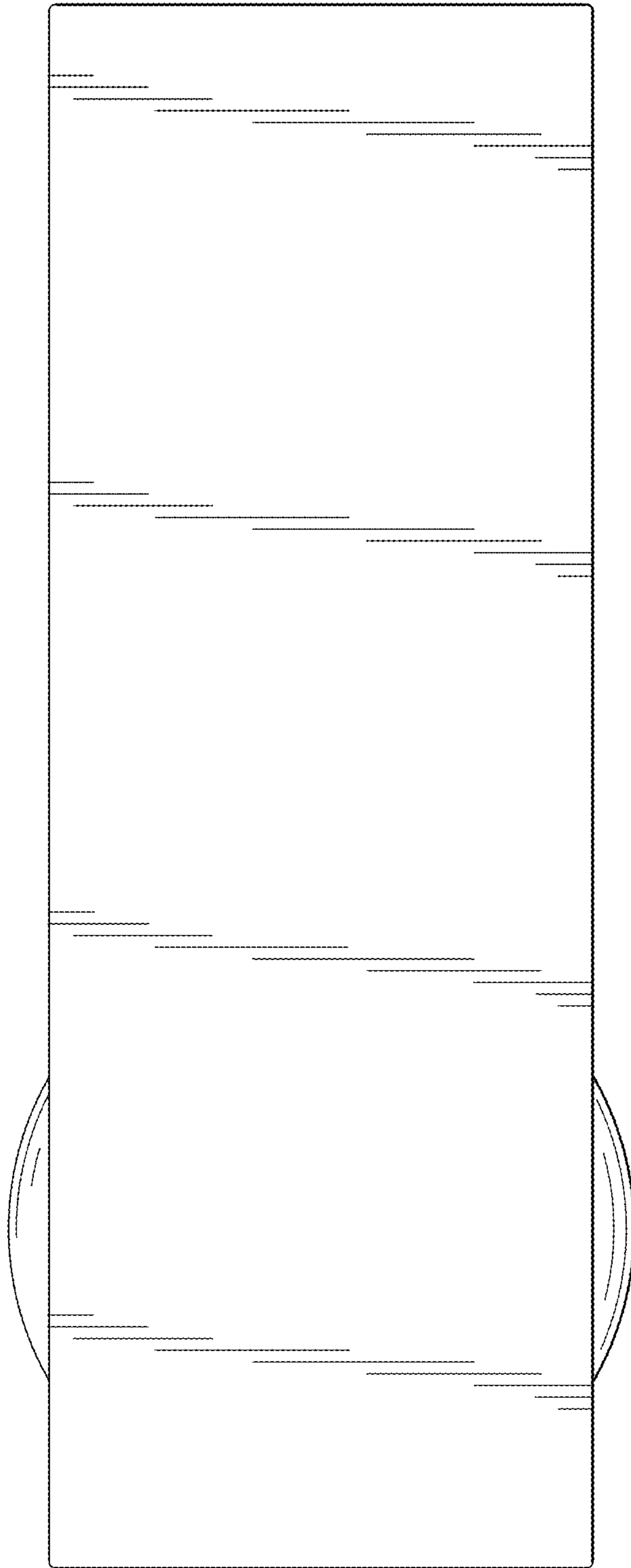


FIG. 6

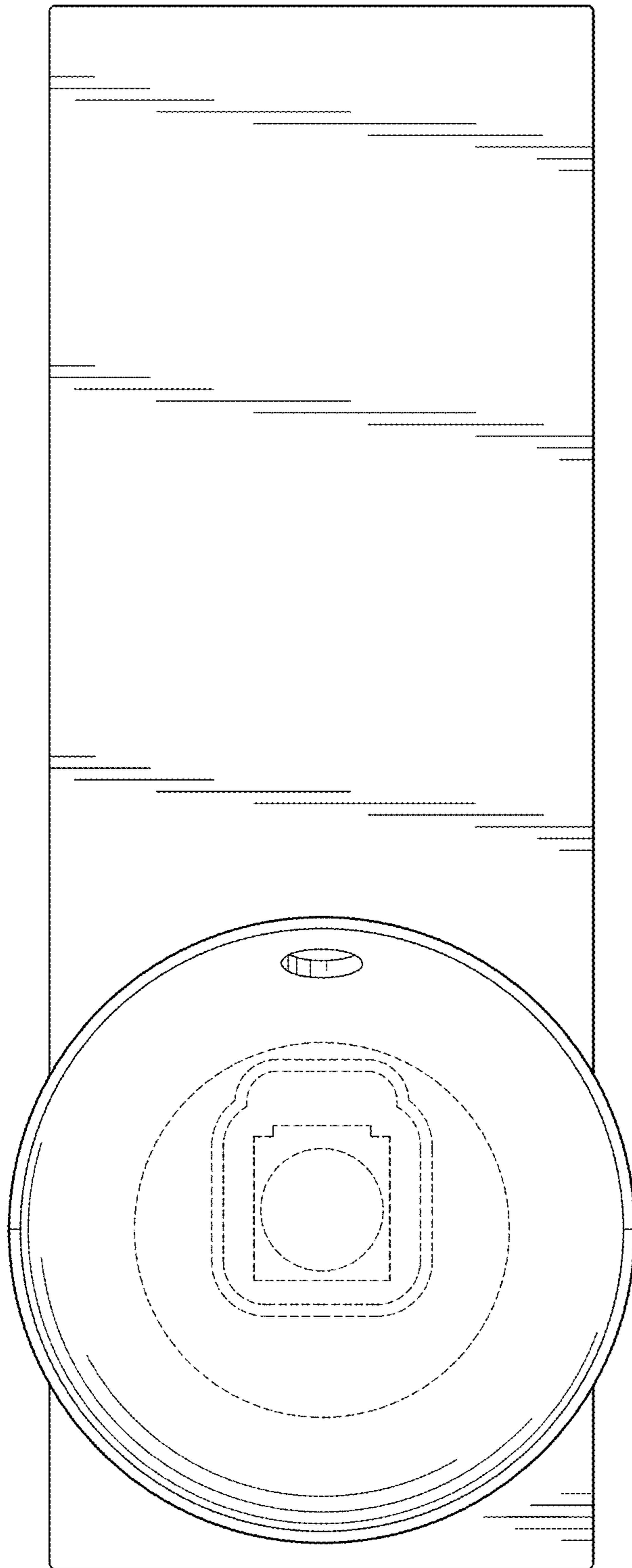


FIG. 7