



US00D685061S

(12) **United States Design Patent**
Yu

(10) **Patent No.:** **US D685,061 S**
(45) **Date of Patent:** **** Jun. 25, 2013**

(54) **FAUCET**

D529,582 S * 10/2006 Lammel D23/238

(75) Inventor: **Guang Yu**, Hangzhou (CN)

* cited by examiner

(73) Assignee: **Yatin Bath Corporation**, Hangzhou, Zhejiang Province (CN)

Primary Examiner — Robert Delehanty
(74) *Attorney, Agent, or Firm* — Jacobson Holman PLLC; Jiwen Chen

(**) Term: **14 Years**

(57) **CLAIM**

(21) Appl. No.: **29/422,747**

I claim the ornamental design for the faucet, as shown and described.

(22) Filed: **May 23, 2012**

DESCRIPTION

(51) **LOC (9) Cl.** **23-01**

(52) **U.S. Cl.**
USPC **D23/238**

(58) **Field of Classification Search**
USPC D23/238–243, 250, 252, 254–255,
D23/257; 4/675–678; 137/801
See application file for complete search history.

FIG. 1 is a perspective view of the faucet showing the design;
FIG. 2 is a front elevational view thereof;
FIG. 3 is a left side elevational view thereof;
FIG. 4 is a right side elevational view thereof;
FIG. 5 is a top plan view thereof; and,
FIG. 6 is a bottom elevational view thereof.

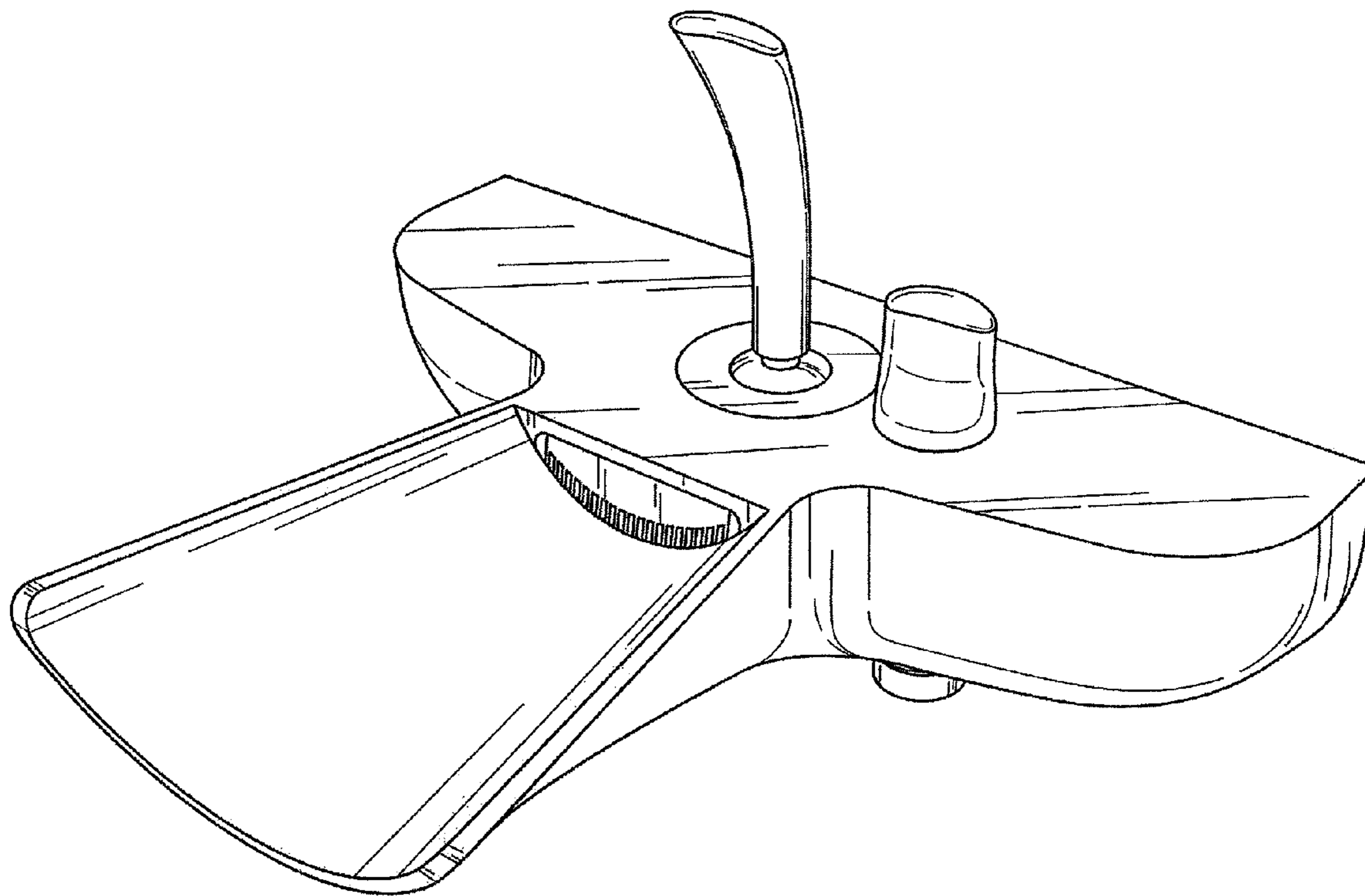
The broken line showing a portion of the faucet in FIG. 6 is included for the purpose of illustrating and forms no part of the claimed design.

(56) **References Cited**

U.S. PATENT DOCUMENTS

D363,764 S * 10/1995 Starck D23/252

1 Claim, 6 Drawing Sheets



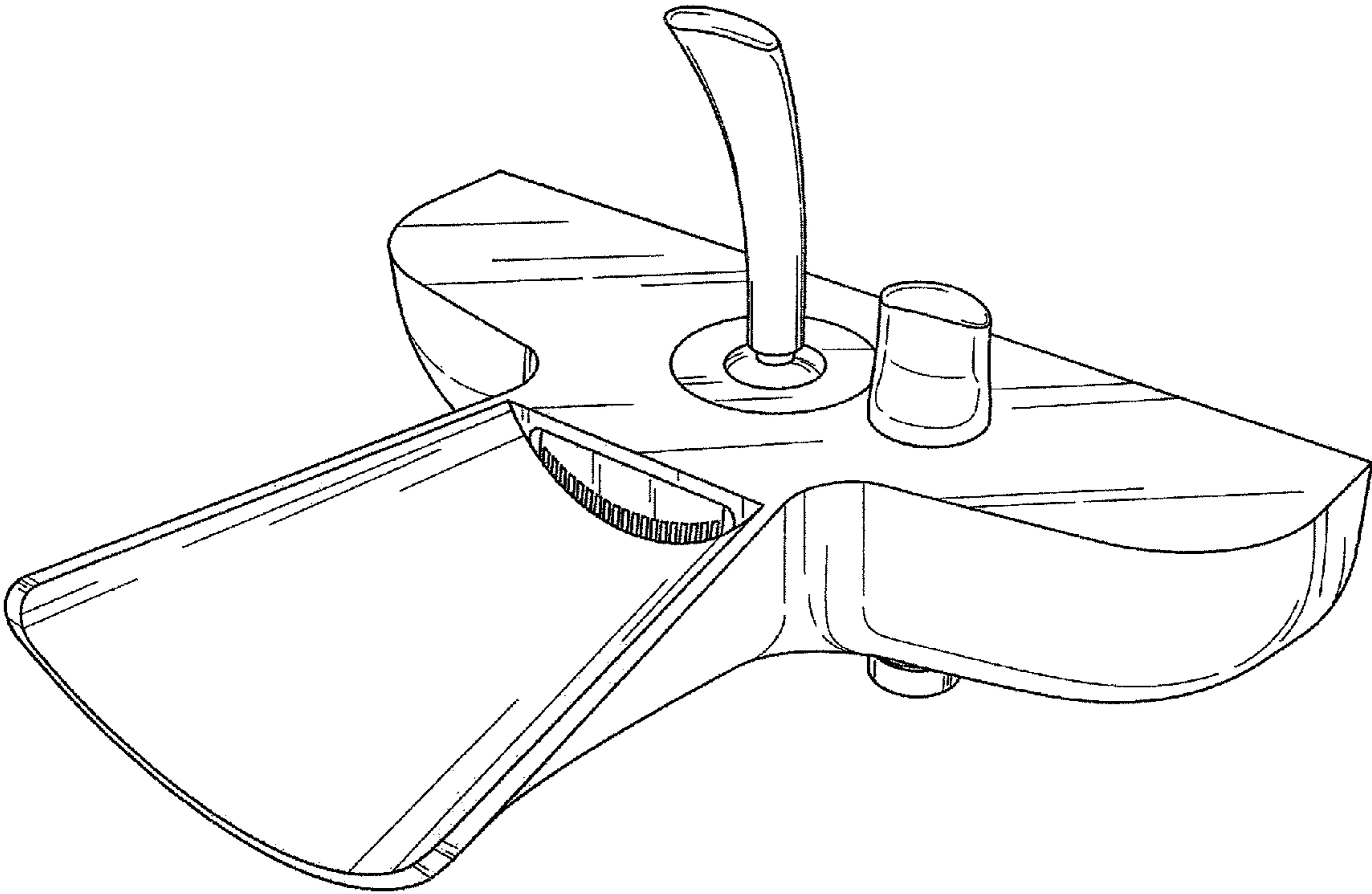


FIG. 1

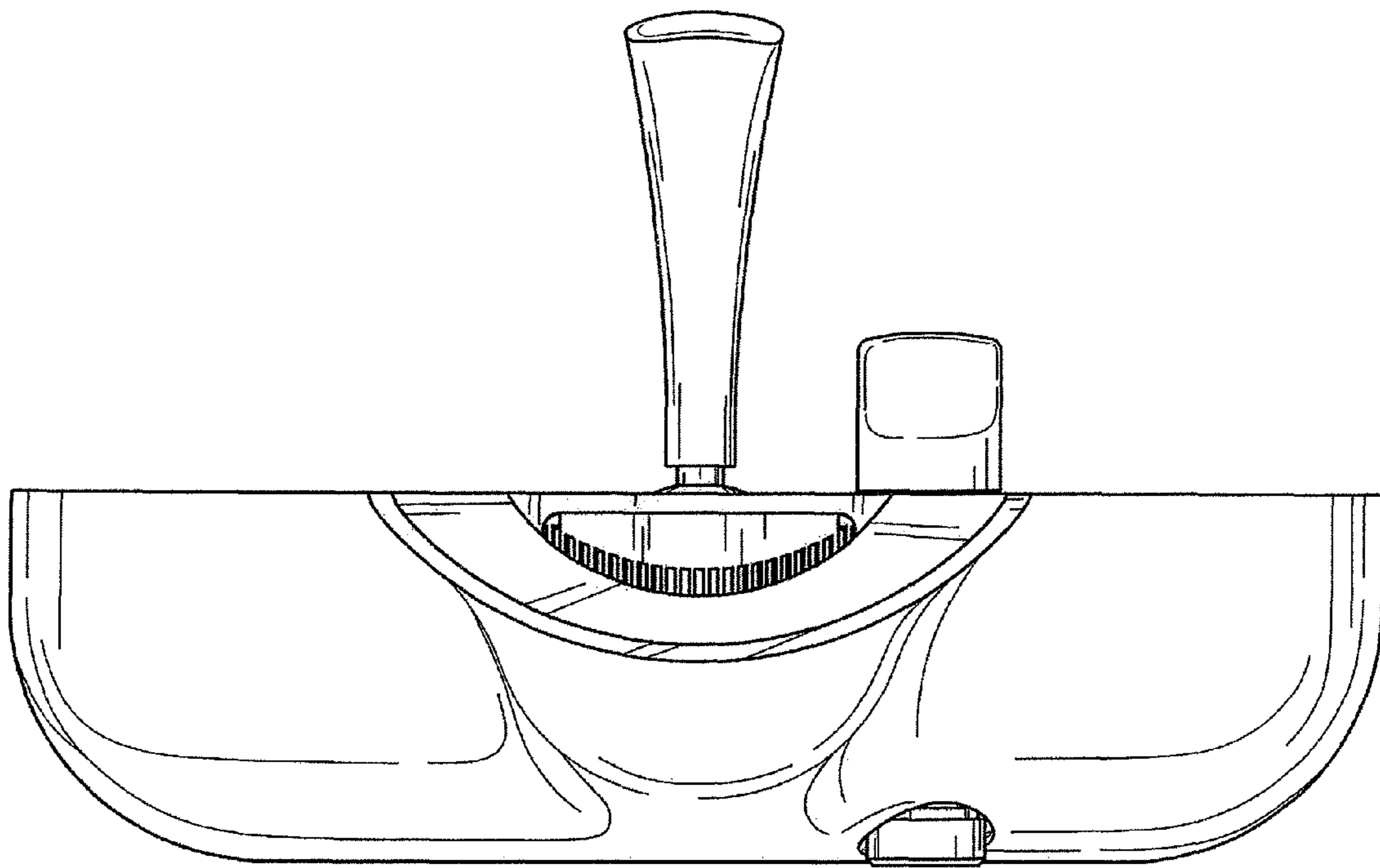


FIG. 2

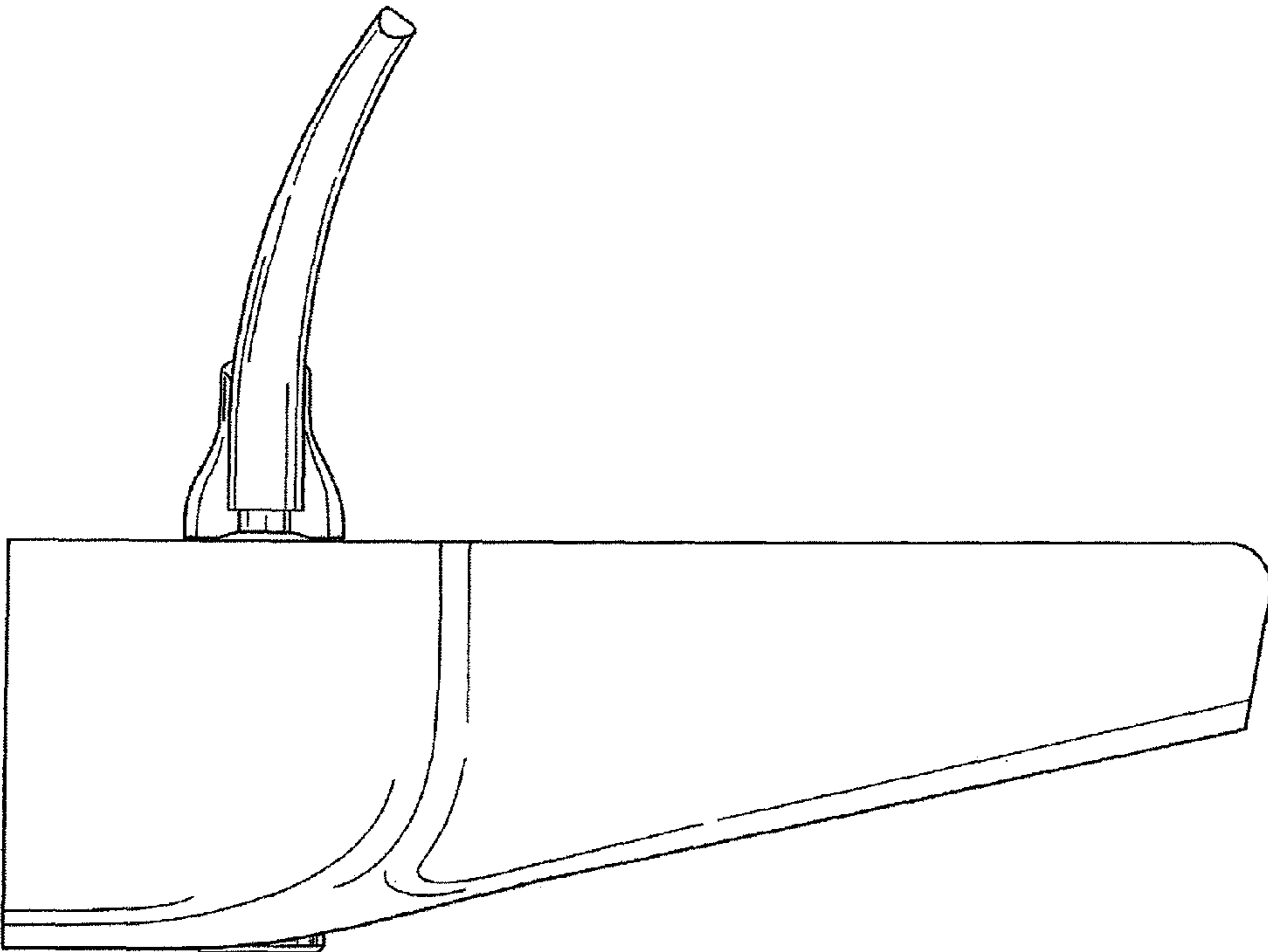


FIG. 3

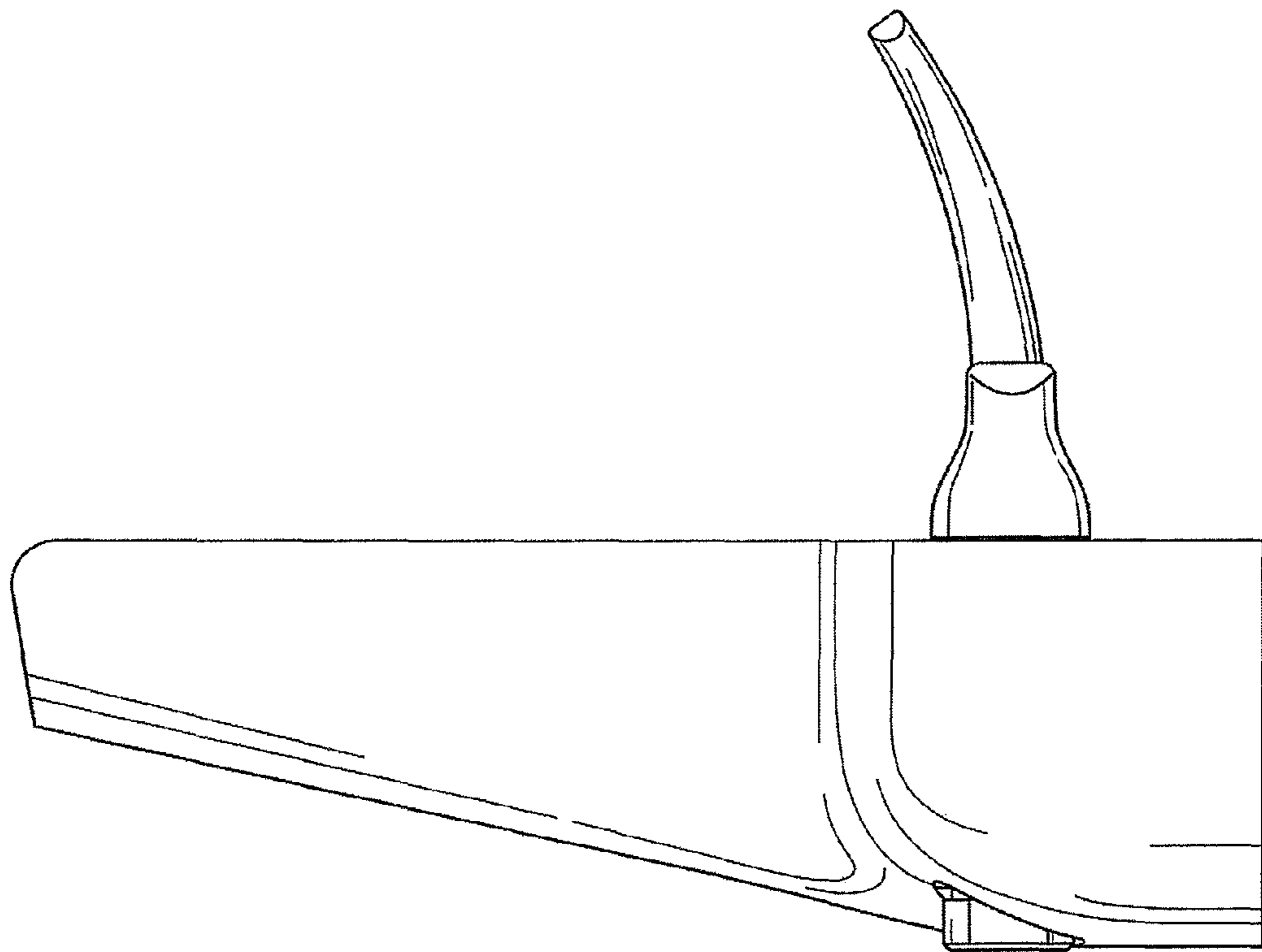


FIG. 4

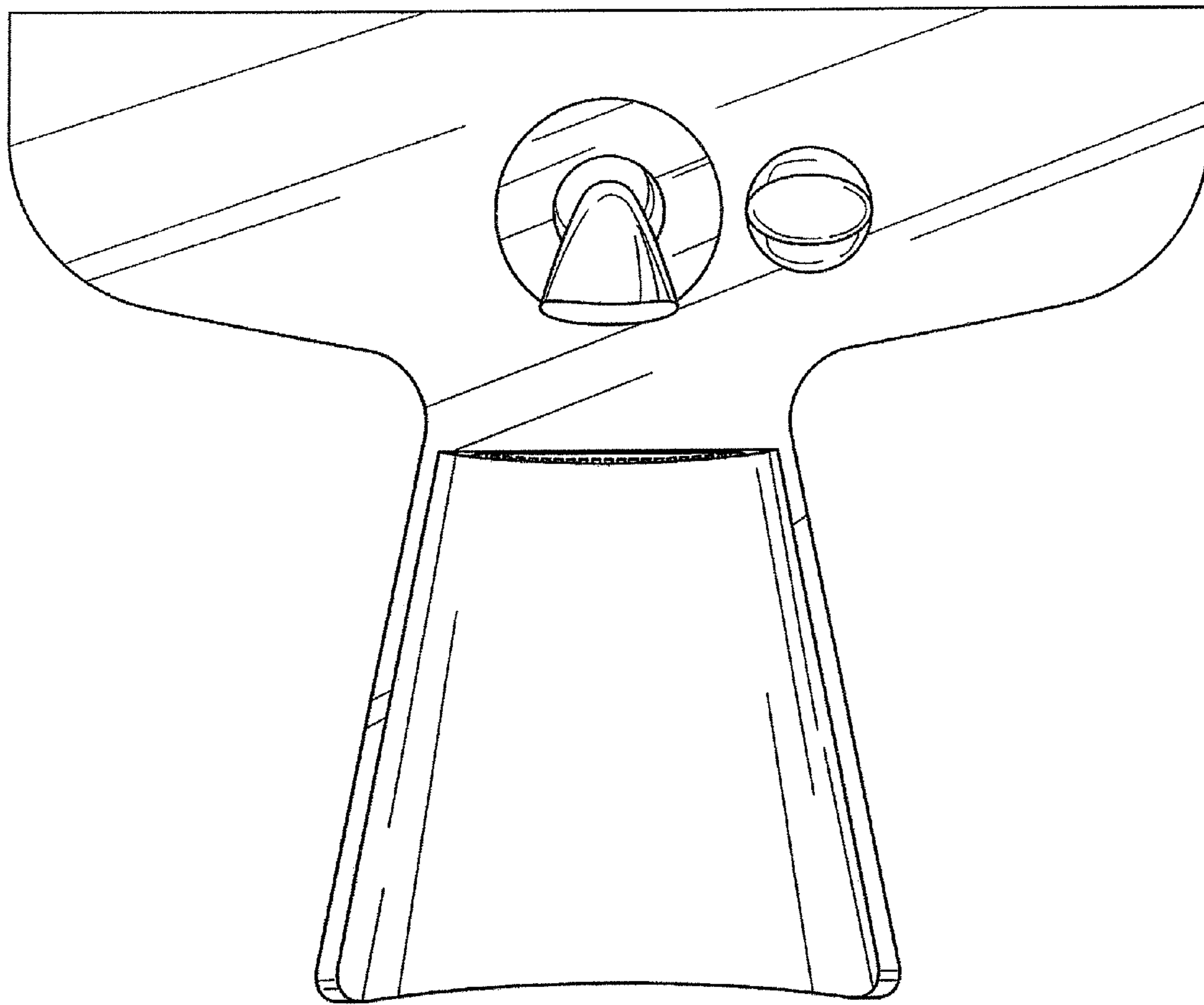


FIG. 5

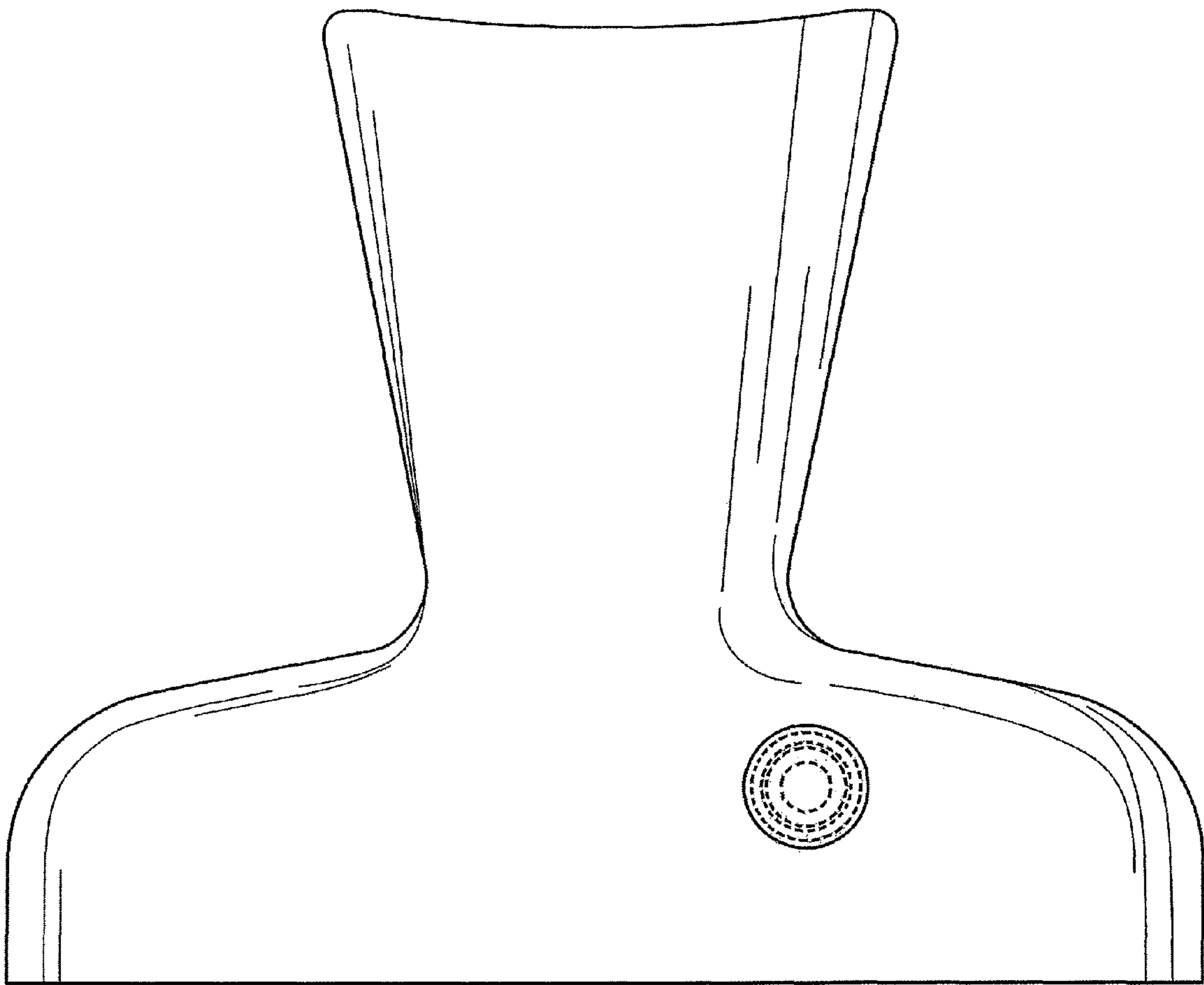


FIG 6