



US00D685060S

(12) **United States Design Patent**
Yu

(10) **Patent No.:** **US D685,060 S**
(45) **Date of Patent:** **** Jun. 25, 2013**

(54) **FAUCET**

(75) Inventor: **Guang Yu**, Hangzhou (CN)

(73) Assignee: **Yatin Bath Corporation**, Hangzhou,
Zhejiang Province (CN)

(**) Term: **14 Years**

(21) Appl. No.: **29/417,433**

(22) Filed: **Apr. 3, 2012**

(30) **Foreign Application Priority Data**

Oct. 10, 2011 (CN) 2011 3 03553850

(51) **LOC (9) Cl.** **23-01**

(52) **U.S. Cl.**
USPC **D23/238**

(58) **Field of Classification Search**
USPC D23/238-243, 250, 252, 254-255,
D23/257; 4/675-678; 137/801

See application file for complete search history.

(56) **References Cited**

U.S. PATENT DOCUMENTS

D576,710 S *	9/2008	Fritz	D23/238
D594,532 S *	6/2009	Schoenherr et al.	D23/238
D645,938 S *	9/2011	Ando et al.	D23/238
D673,651 S *	1/2013	Uhl	D23/238

* cited by examiner

Primary Examiner — Robert Delehanty

(74) *Attorney, Agent, or Firm* — Jacobson Holman PLLC;
Jiwen Chen

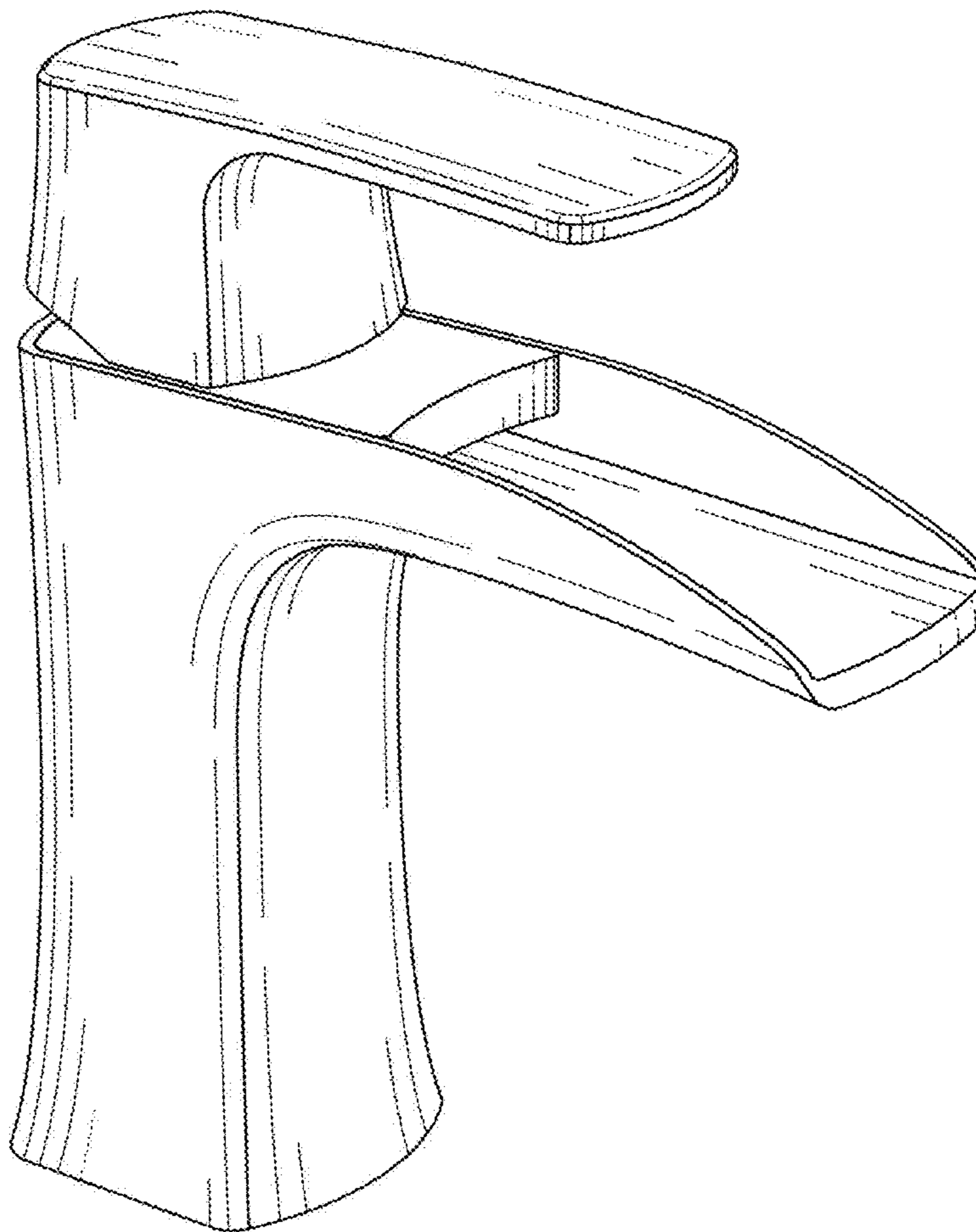
(57) **CLAIM**

I claim the ornamental design for the faucet, as shown and described.

DESCRIPTION

FIG. 1 is a perspective view of the faucet showing the design; FIG. 2 is a front elevational view thereof; FIG. 3 is a rear elevational view thereof; FIG. 4 is a right side elevational view thereof, and the left elevational view of the design is a mirror image of the right side elevational view; and, FIG. 5 is a top plan view thereof.

1 Claim, 5 Drawing Sheets



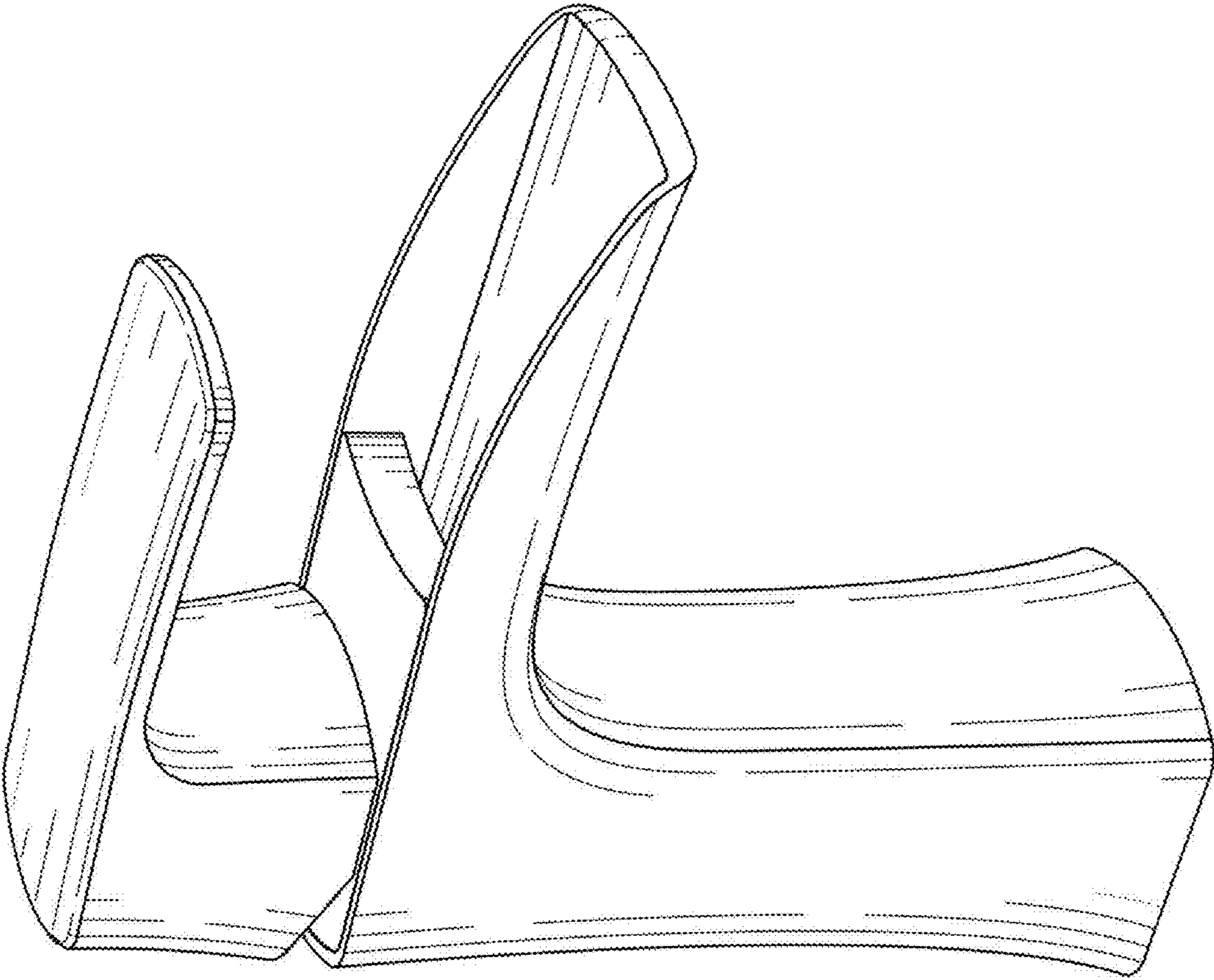


FIG. 1

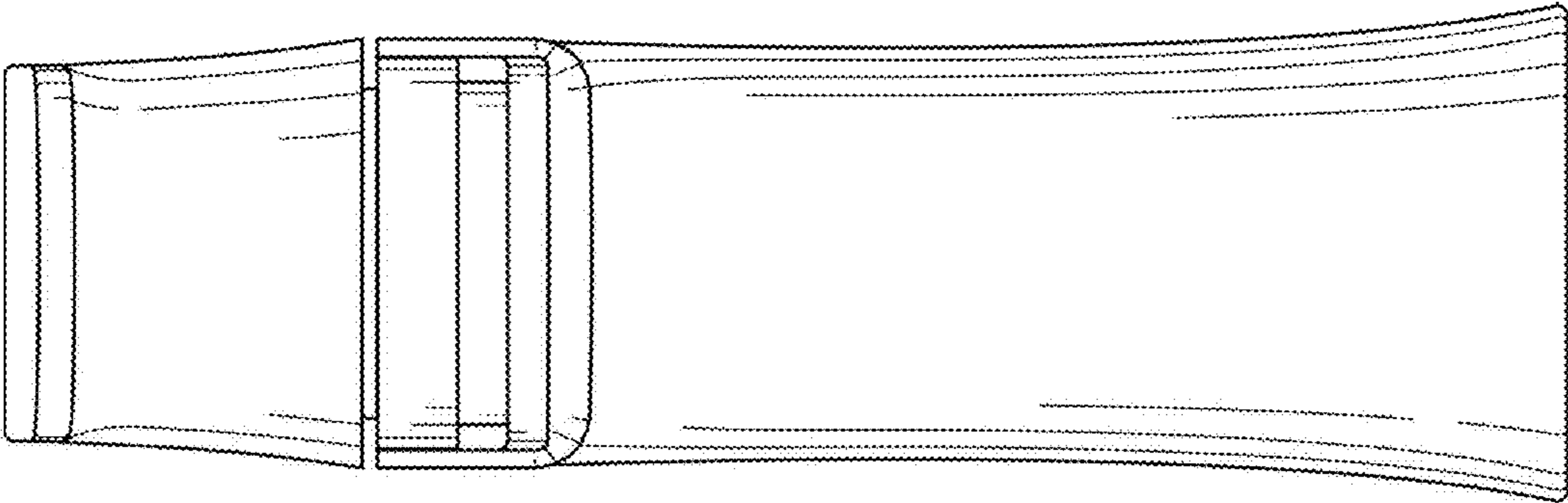


FIG. 2

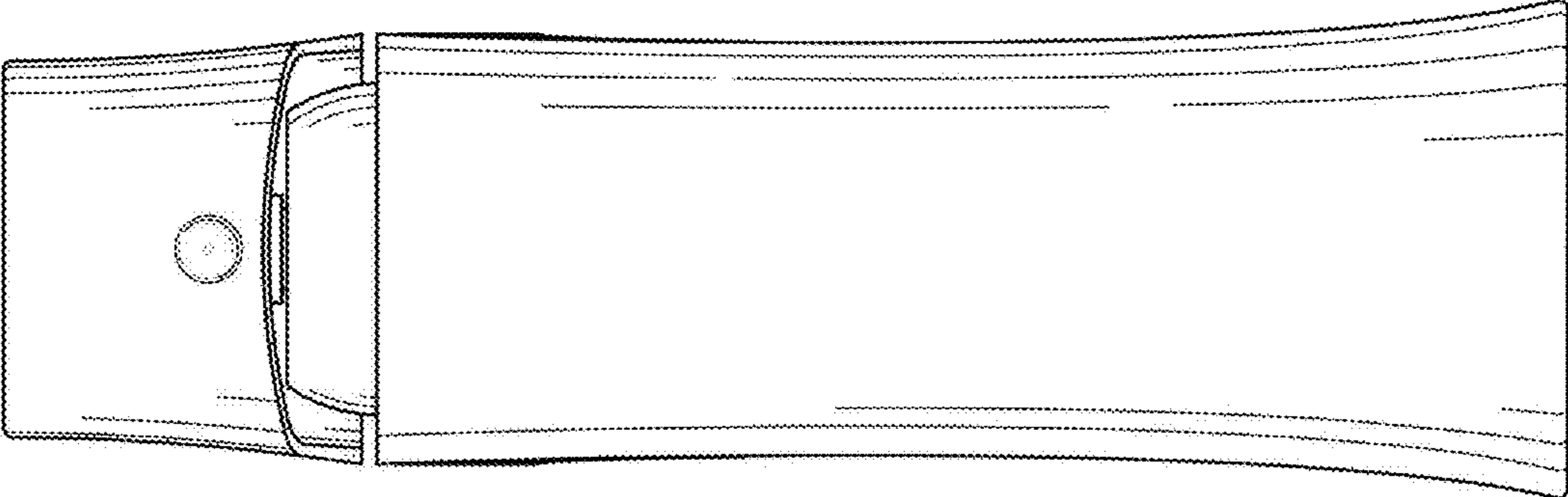


FIG. 3

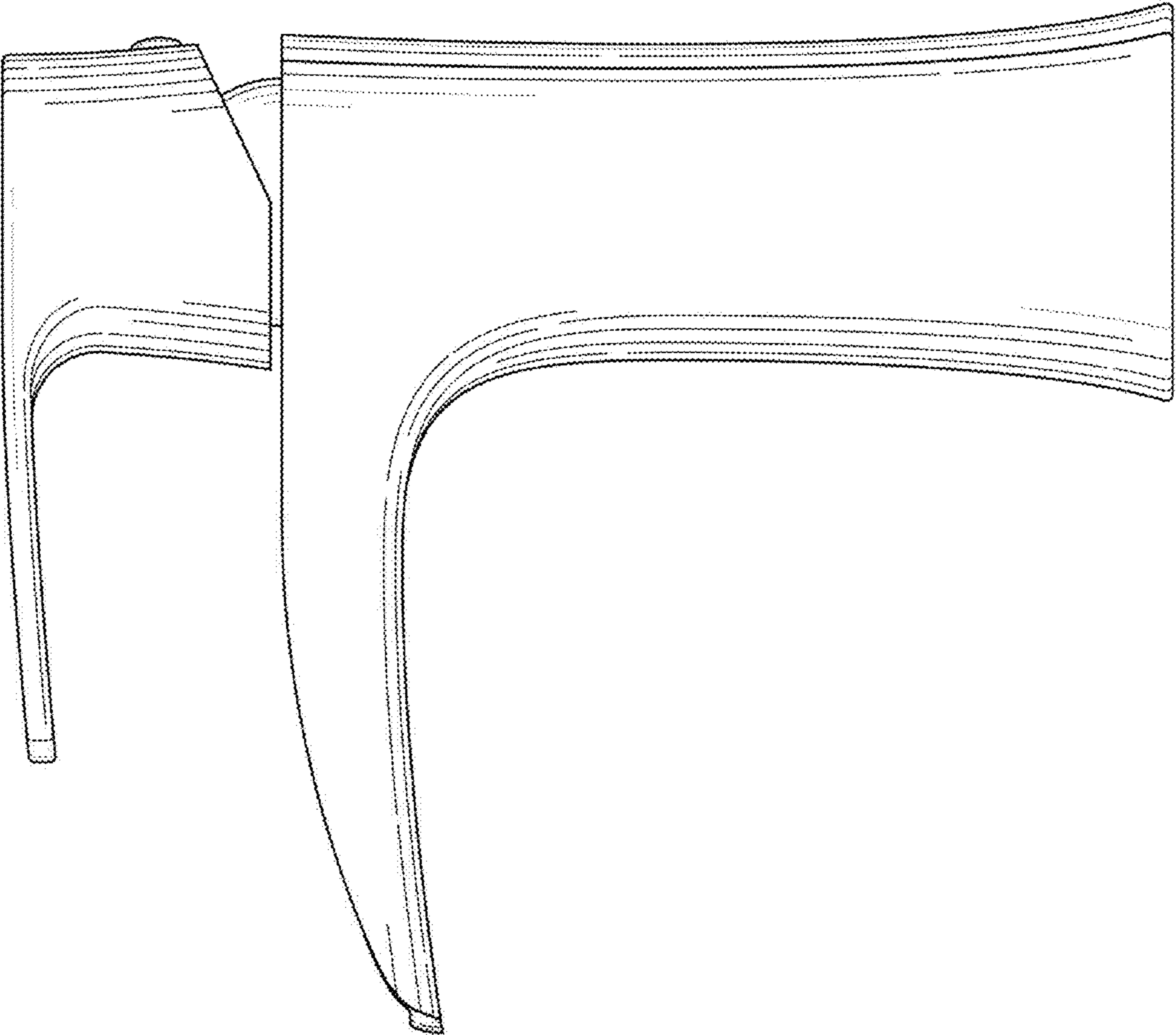


FIG. 4

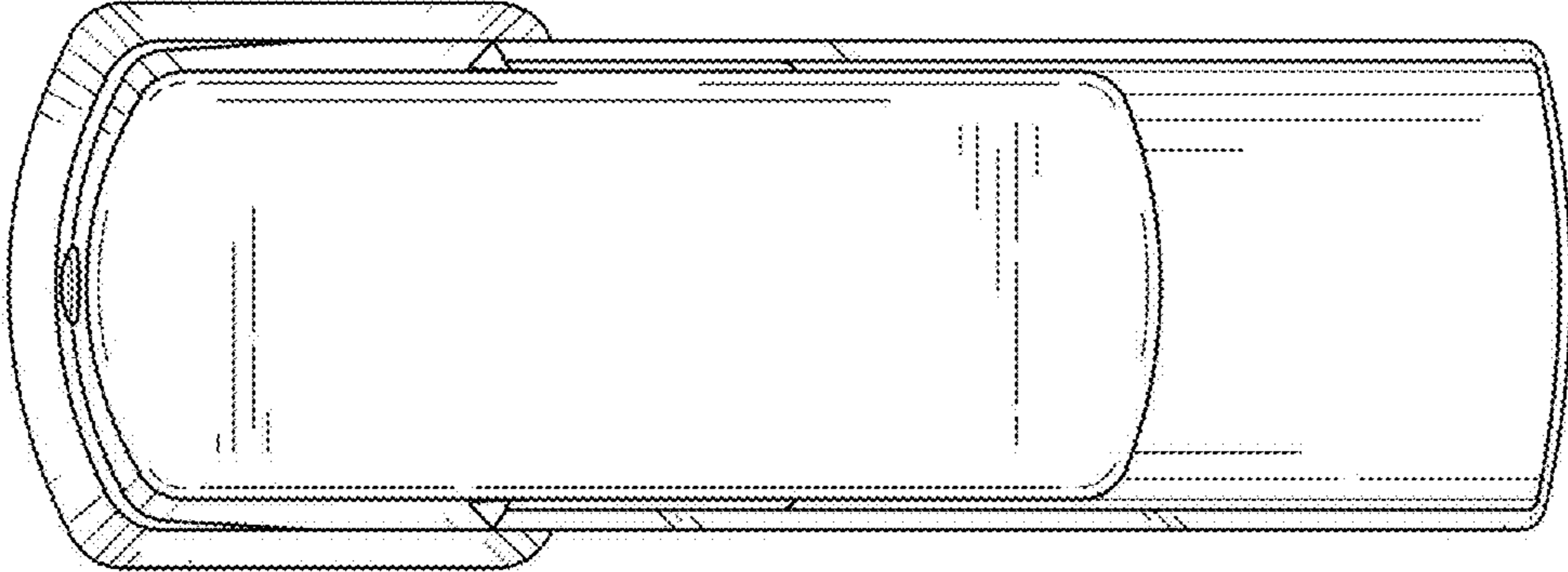


FIG. 5