



US00D685059S

(12) **United States Design Patent**  
**Wing**

(10) **Patent No.:** **US D685,059 S**

(45) **Date of Patent:** **\*\* Jun. 25, 2013**

(54) **VALVE**

(76) **Inventor:** **Albert Wing**, La Canada, CA (US)

(\*\*) **Term:** **14 Years**

(21) **Appl. No.:** **29/402,836**

(22) **Filed:** **Sep. 28, 2011**

(51) **LOC (9) Cl.** ..... **23-01**

(52) **U.S. Cl.**  
USPC ..... **D23/233**

(58) **Field of Classification Search**  
USPC ..... D23/233-237; 137/1, 266, 606, 263,  
137/602, 625.13, 625.47; 251/129.03  
See application file for complete search history.

(56) **References Cited**

**U.S. PATENT DOCUMENTS**

2,168,701	A *	8/1939	Buttner	.....	222/6
2,389,667	A *	11/1945	Hudson	.....	222/6
2,641,273	A *	6/1953	Siebens	.....	137/113
D313,394	S *	1/1991	Berlin	.....	D13/147
D489,121	S *	4/2004	Harding	.....	D23/262
7,343,923	B2 *	3/2008	Foster	.....	137/1
2010/0012194	A1 *	1/2010	Jonte et al.	.....	137/1
2011/0088784	A1 *	4/2011	Meehan et al.	.....	137/1

2013/0074937 A1\* 3/2013 Wing ..... 137/1

\* cited by examiner

*Primary Examiner* — Cynthia Ramirez

(74) *Attorney, Agent, or Firm* — James A. Italia; Italia IP

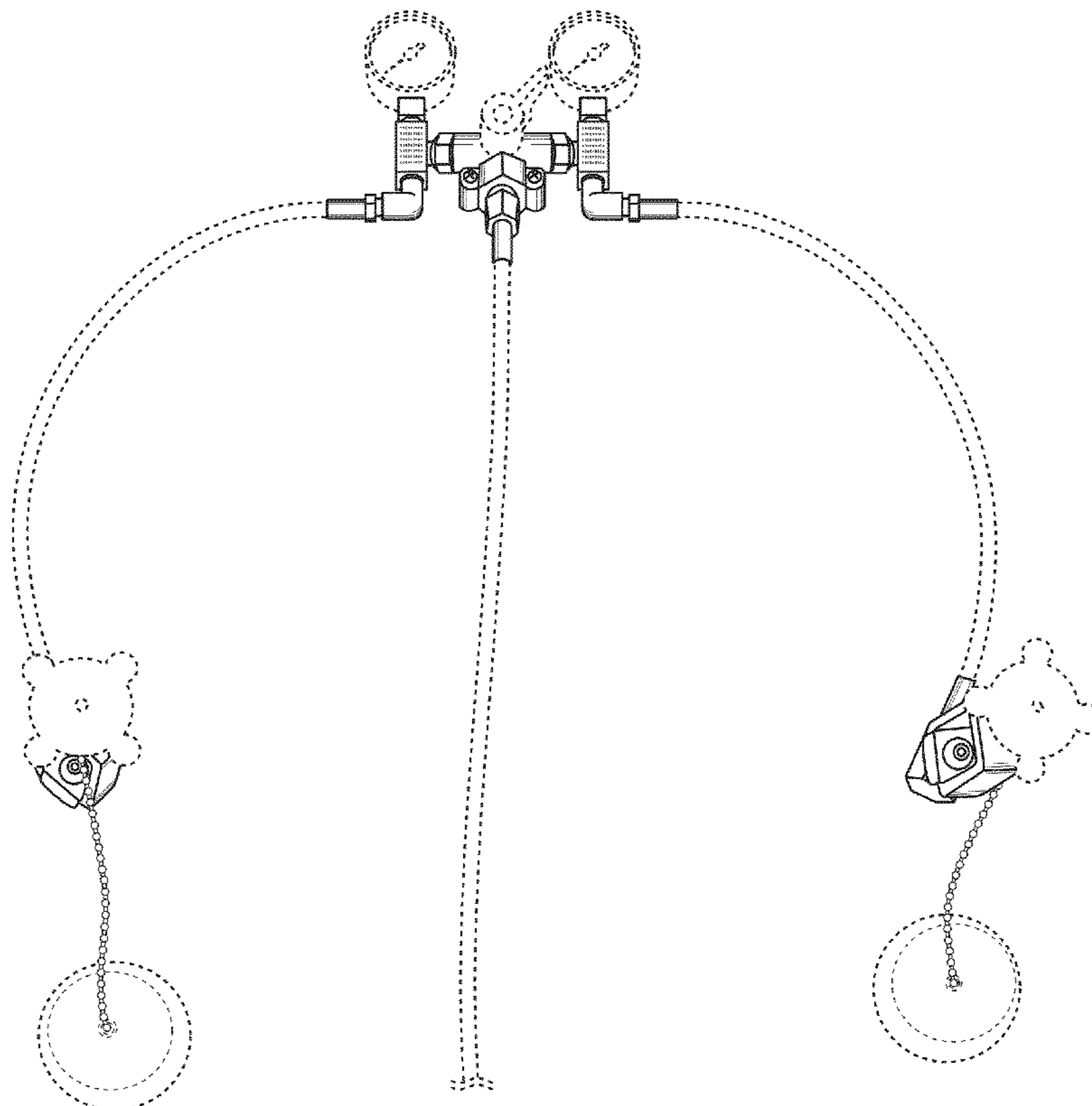
(57) **CLAIM**

The ornamental design for a valve, as shown and described.

**DESCRIPTION**

FIG. 1 is a perspective view of a valve, showing my new design;  
FIG. 2 is a front elevational view of the valve shown in FIG. 1;  
FIG. 3 is a rear elevational view of the valve shown in FIG. 1;  
FIG. 4 is a left-side elevational view of the valve shown in FIG. 1;  
FIG. 5 is a right-side elevational view of the valve shown in FIG. 1;  
FIG. 6 is a top plan view of the valve shown in FIG. 1; and,  
FIG. 7 is a bottom plan view of the valve shown in FIG. 1.  
The broken line showing of houses is included for the purpose of illustrating portions of the valve and forms no part of the claimed design.

**1 Claim, 5 Drawing Sheets**



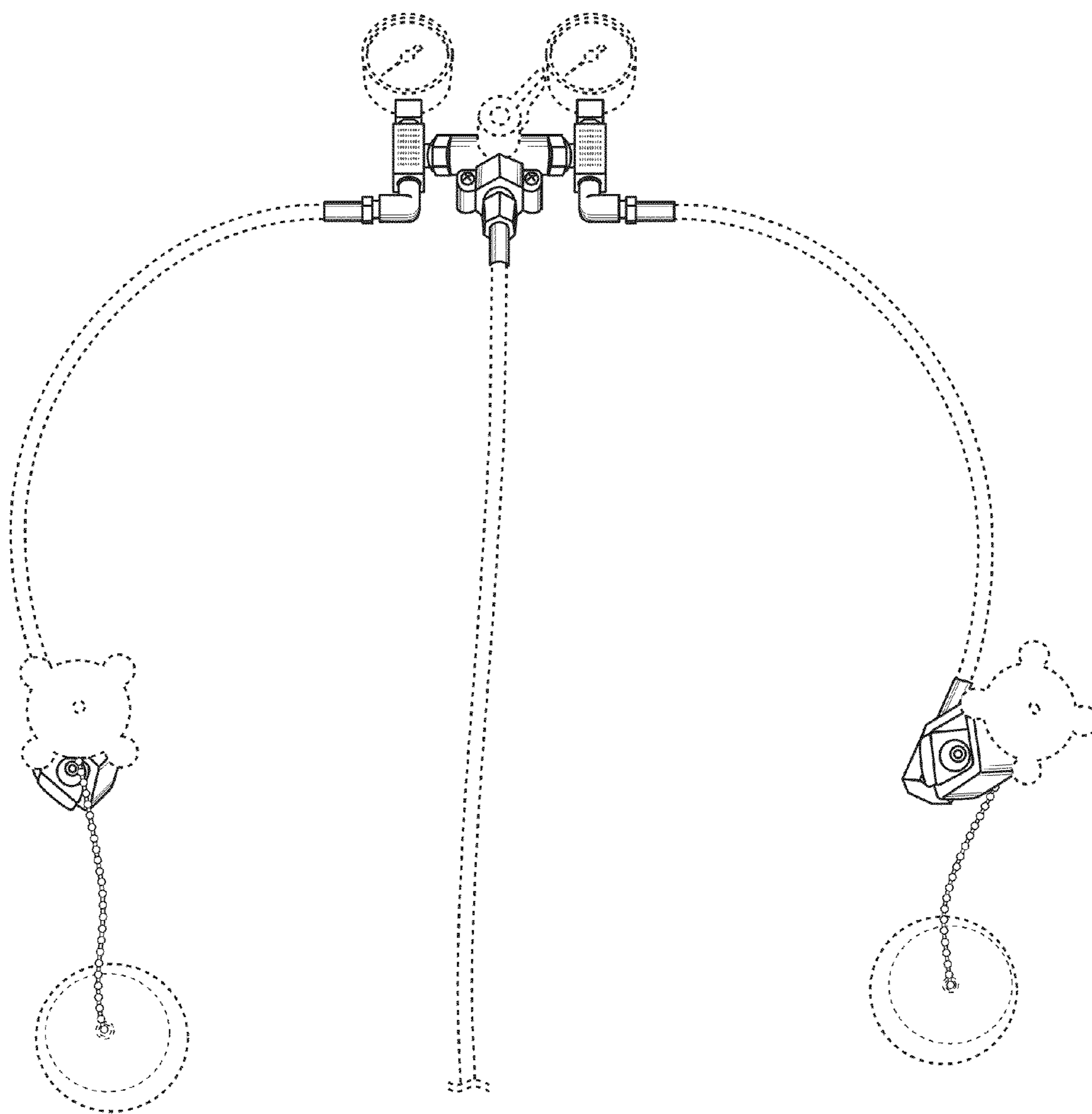


FIG. 1

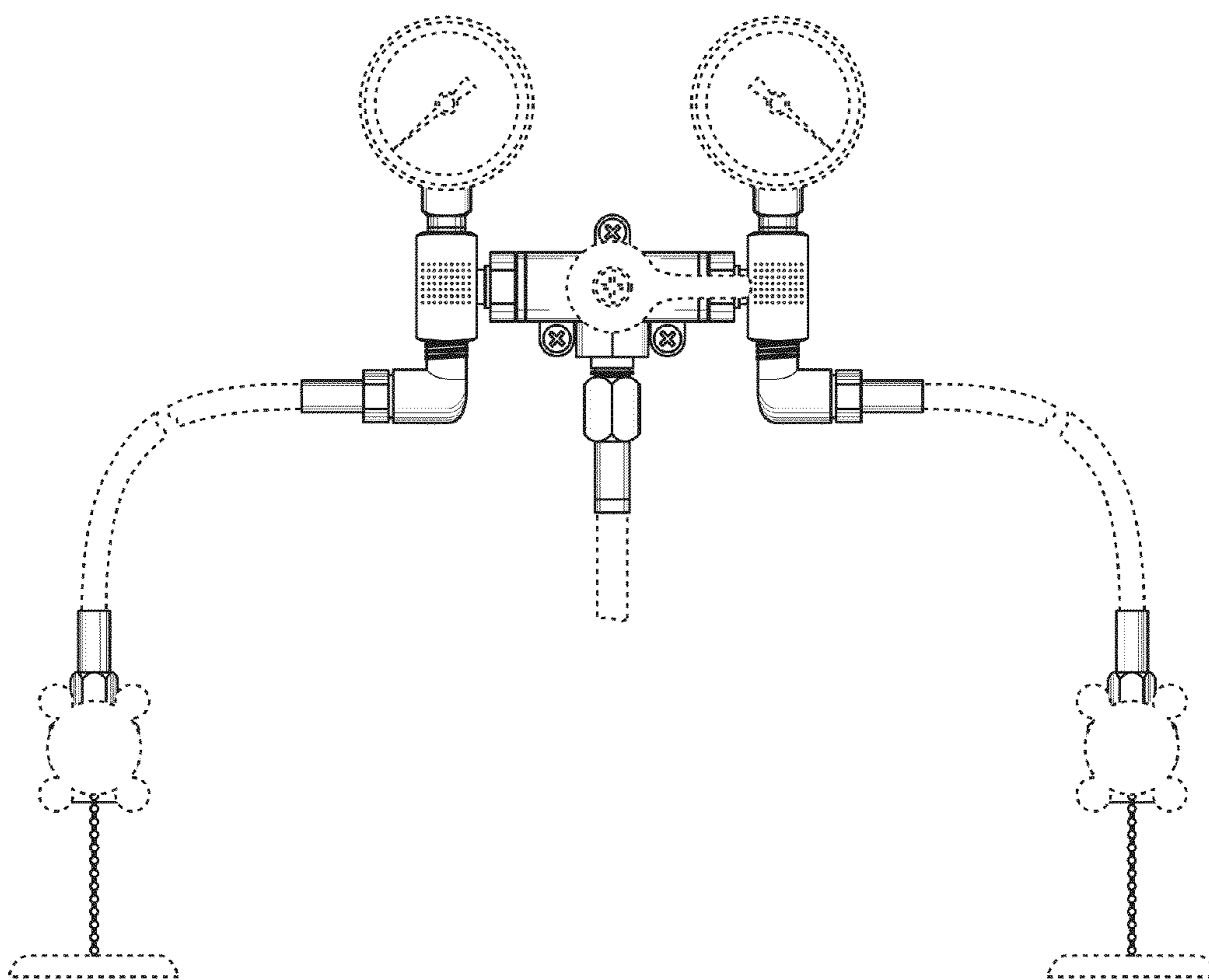


FIG. 2

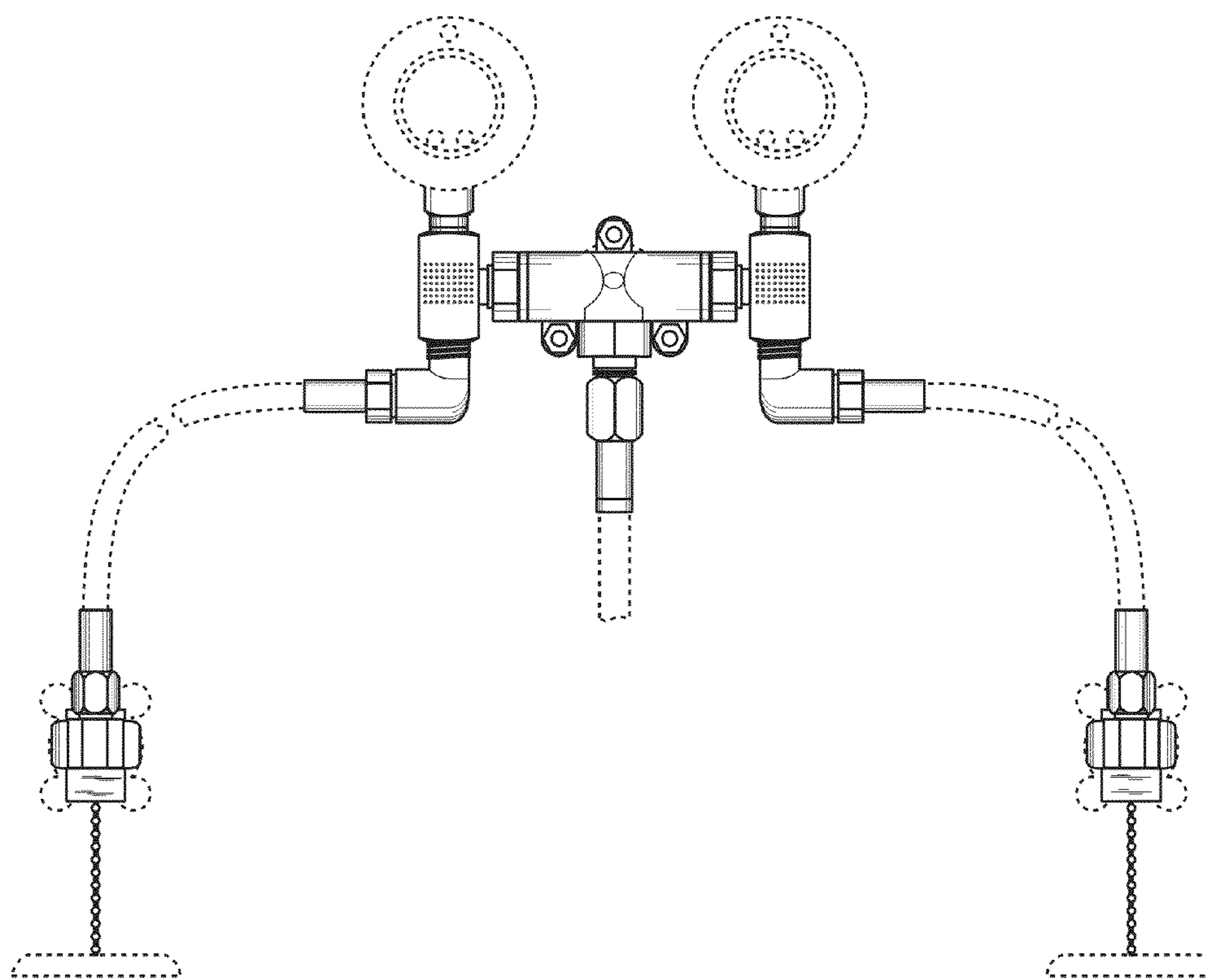


FIG. 3

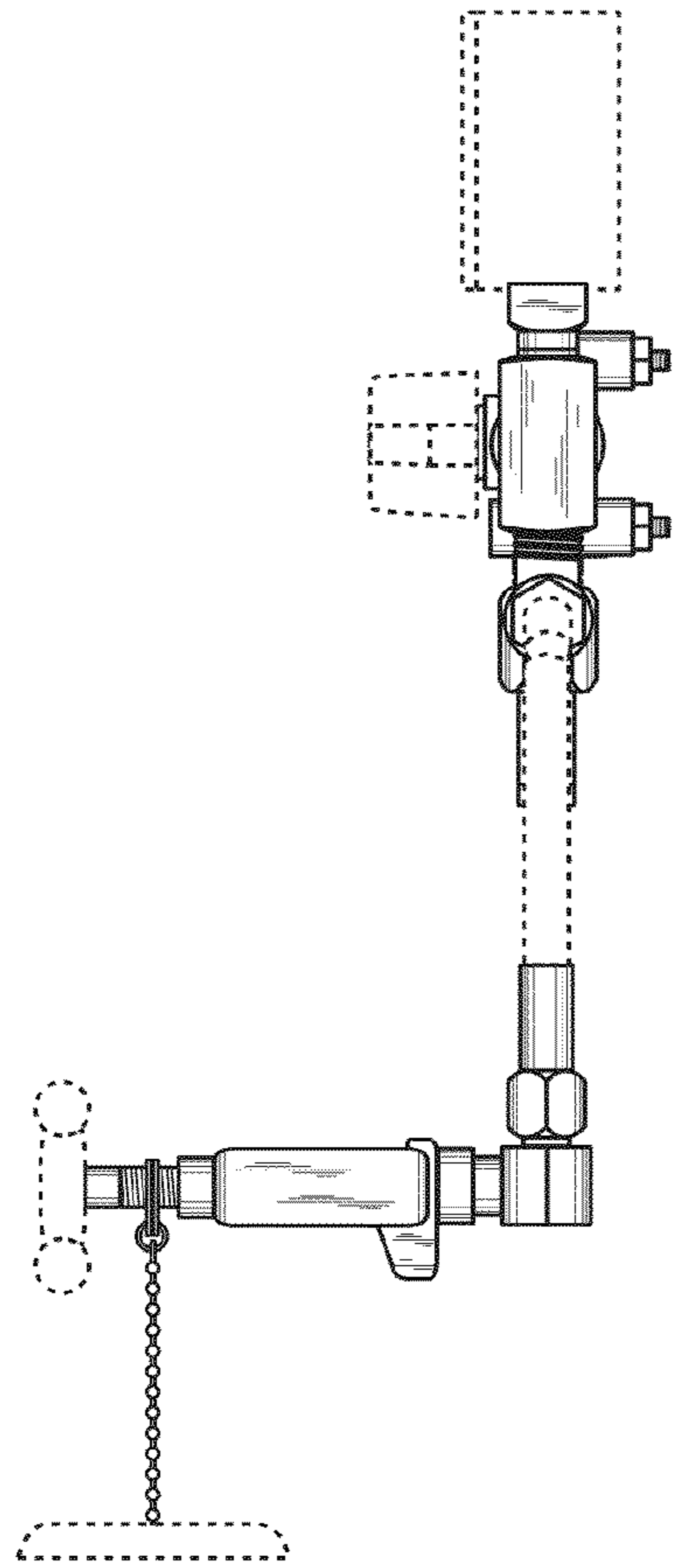


FIG. 4

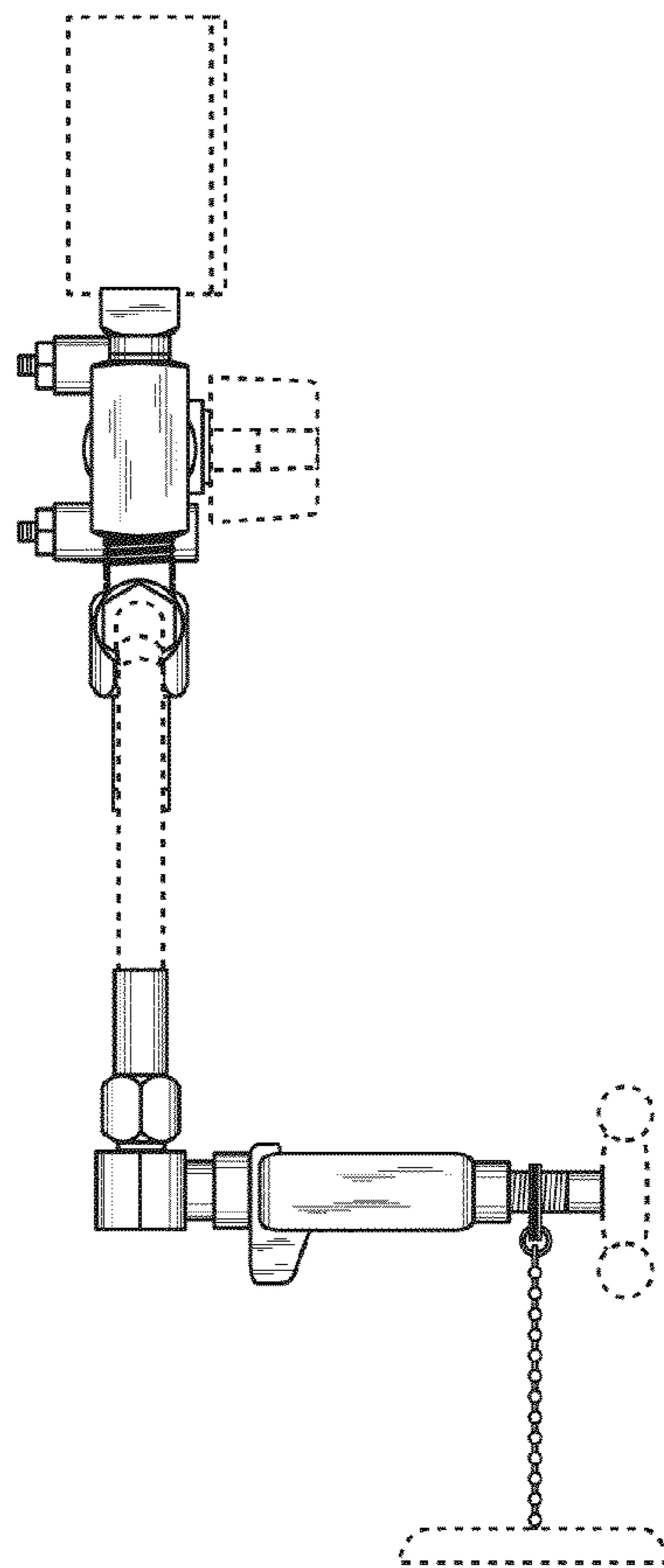


FIG. 5

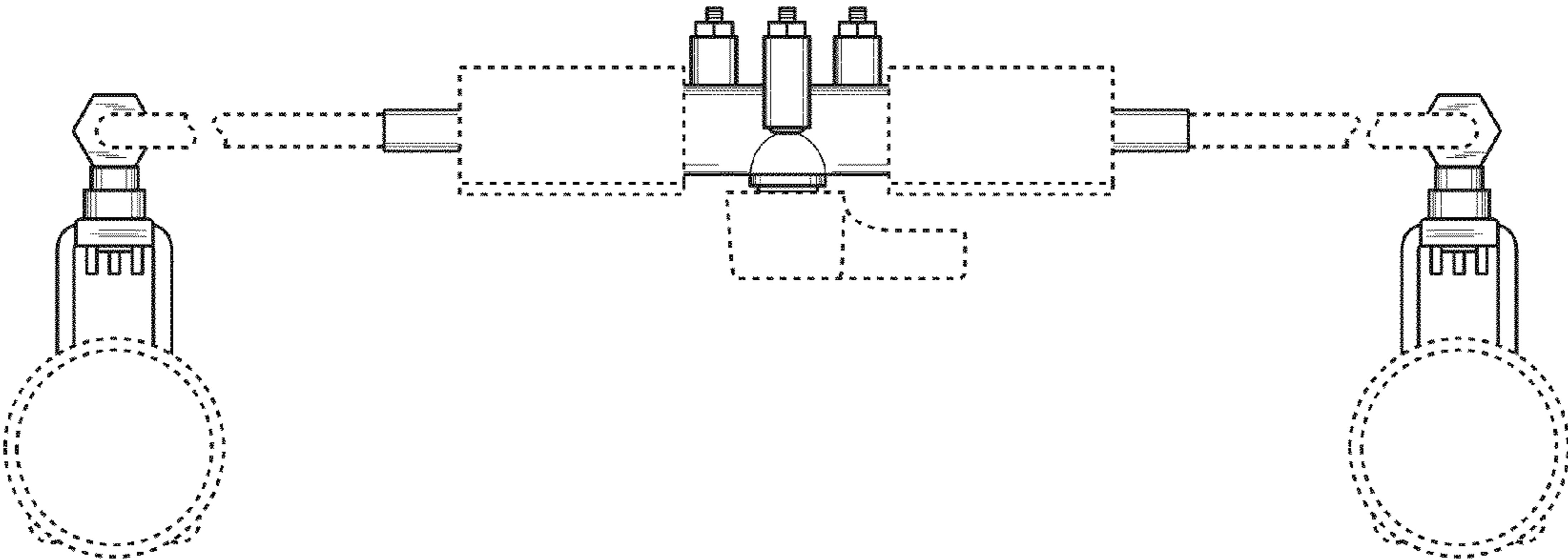


FIG. 6

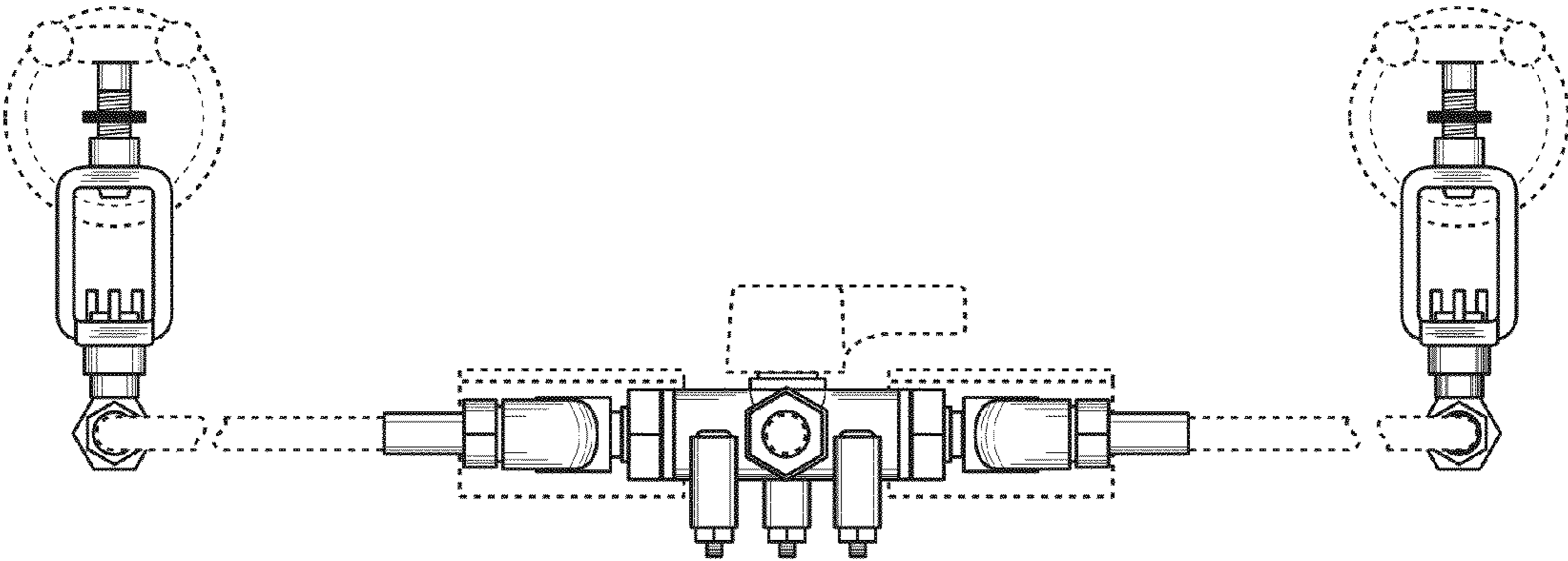


FIG. 7