



US00D685057S

(12) **United States Design Patent**
Wirz Luchsinger

(10) **Patent No.:** **US D685,057 S**

(45) **Date of Patent:** **** Jun. 25, 2013**

(54) **SPRAYER TANK**

(75) Inventor: **Pedro Wirz Luchsinger**, Jalisco (MX)

(73) Assignee: **Swissmex-Rapid, S.A. de C.V.**, Lagos de Moreno, Jalisco (MX)

(**) Term: **14 Years**

(21) Appl. No.: **29/403,730**

(22) Filed: **Oct. 10, 2011**

(51) **LOC (9) Cl.** **23-01**

(52) **U.S. Cl.**

USPC **D23/225**; D23/202

(58) **Field of Classification Search**

USPC D23/213, 225, 202; 239/302, 308,
239/310, 332, 333, 337, 373, DIG. 14, 142,
239/152-154

See application file for complete search history.

5,984,199 A	11/1999	Restive	
6,412,707 B1	7/2002	Wirz	
6,729,558 B1 *	5/2004	Seenauth 239/152
7,309,028 B2	12/2007	Langhans et al.	
D567,897 S *	4/2008	Hillhouse D23/202
D570,447 S *	6/2008	Hillhouse D23/225
D591,387 S	4/2009	Campbell	
D609,773 S *	2/2010	Abernethy et al. D23/202
D616,959 S *	6/2010	Wu D23/202
7,854,396 B2 *	12/2010	Wu 239/152
D633,984 S *	3/2011	Plantz D23/225
2004/0112982 A1	6/2004	Dilley	
2006/0261181 A1	11/2006	Wirz	

* cited by examiner

Primary Examiner — Robin V Webster

(74) *Attorney, Agent, or Firm* — Robert D. Buyan; Stout, Uxa, Buyan & Mullins, LLP

(57) **CLAIM**

The ornamental design for a sprayer tank, as shown.

DESCRIPTION

FIG. 1 is a left perspective view of an embodiment of the sprayer tank;

FIG. 2 is a front view of the embodiment of FIG. 1;

FIG. 3 is a rear view of the embodiment of FIG. 1;

FIG. 4 is a right side view of the embodiment of FIG. 1;

FIG. 5 is left side view of the embodiment of FIG. 1;

FIG. 6 is a top view of the embodiment of FIG. 1; and,

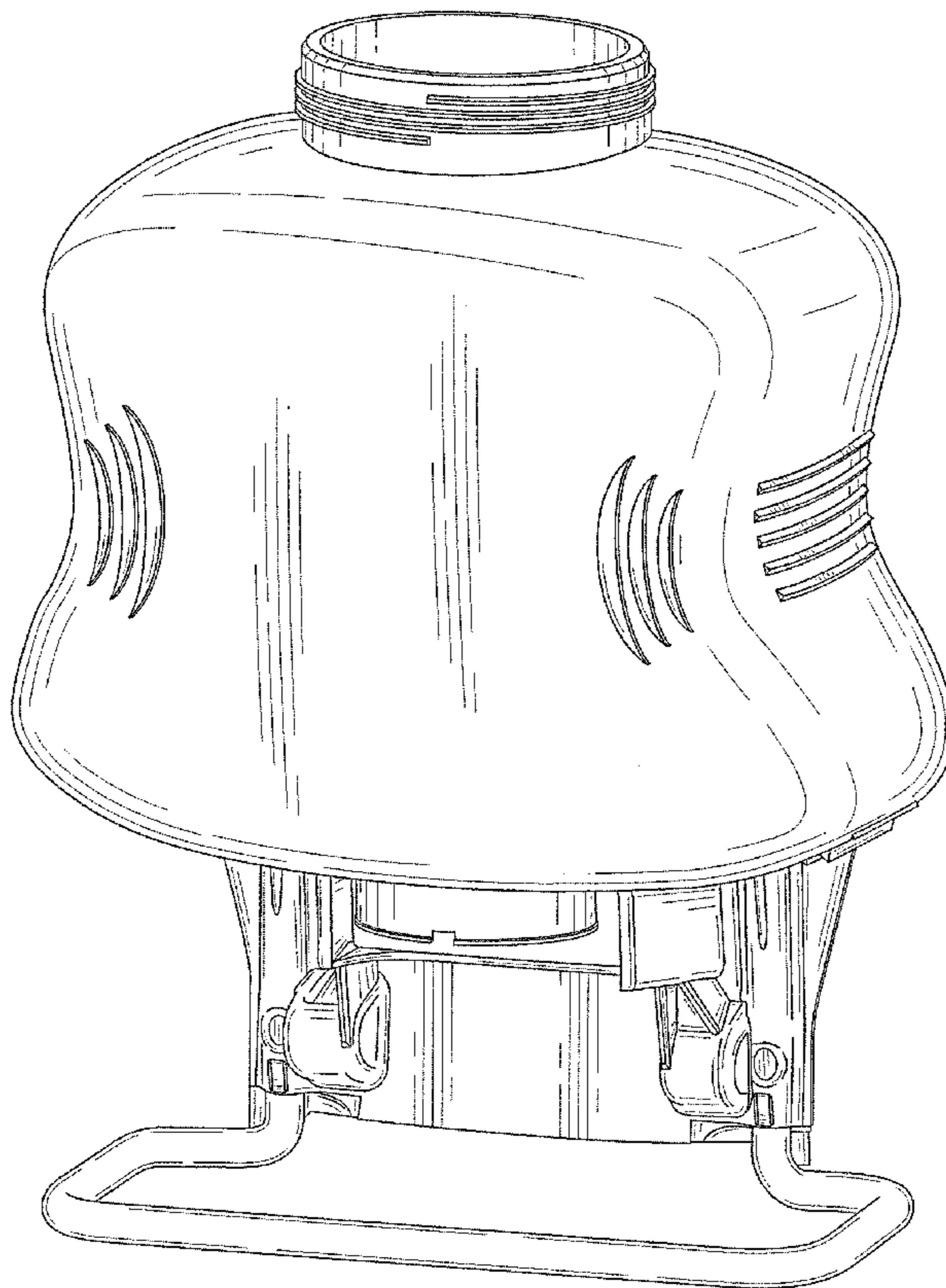
FIG. 7 is a bottom view of the embodiment of FIG. 1.

1 Claim, 5 Drawing Sheets

(56) **References Cited**

U.S. PATENT DOCUMENTS

4,702,416 A	10/1987	Pagliali et al.	
4,798,333 A	1/1989	Luchsinger	
5,240,186 A *	8/1993	Dobbins et al. 239/690.1
5,478,105 A	12/1995	Black	
5,636,791 A *	6/1997	Leer 239/142
5,671,884 A *	9/1997	Restive 239/154
5,775,543 A	7/1998	Wahrenbrock	
5,857,618 A	1/1999	Restive	



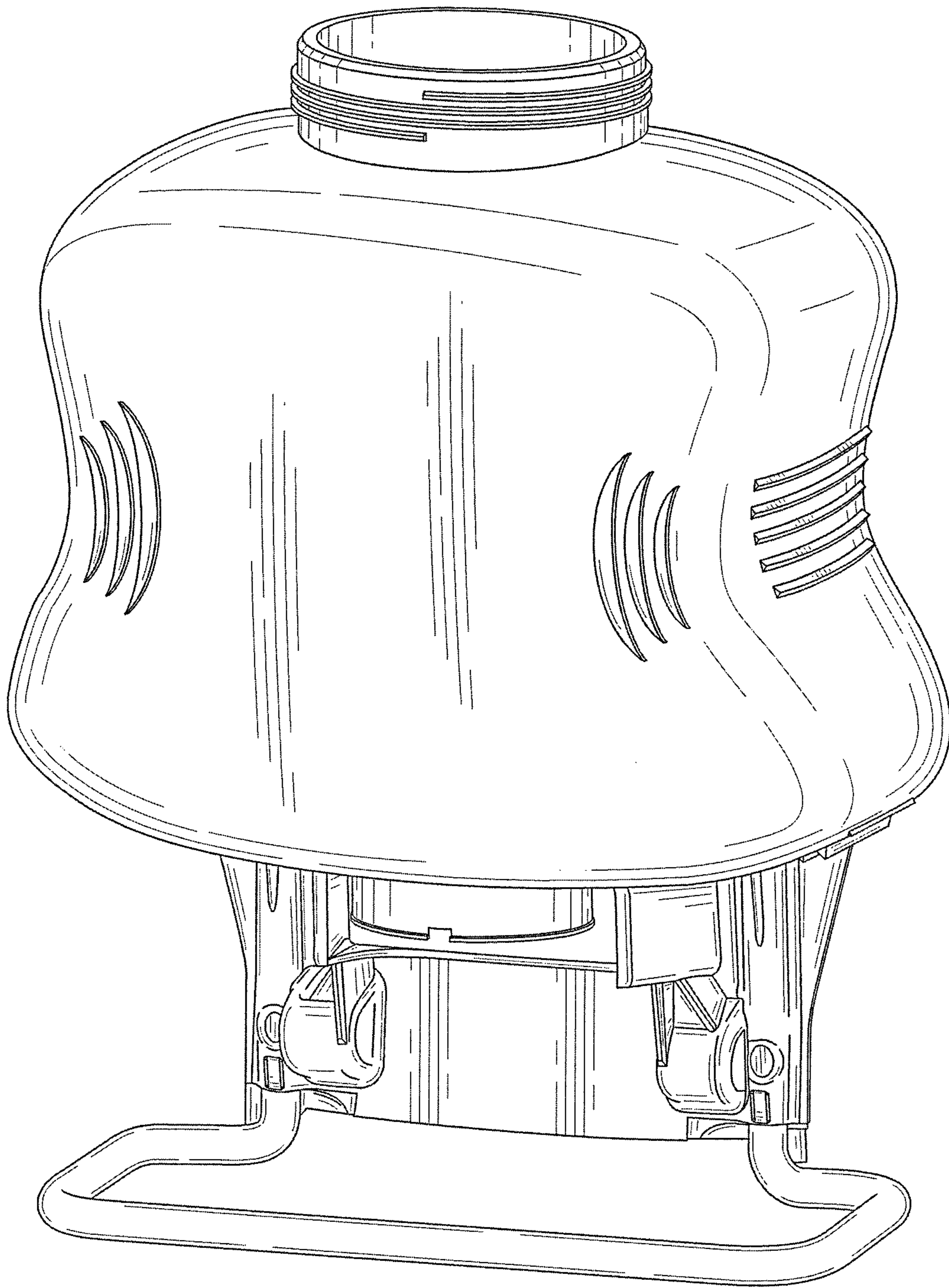


FIG. 1

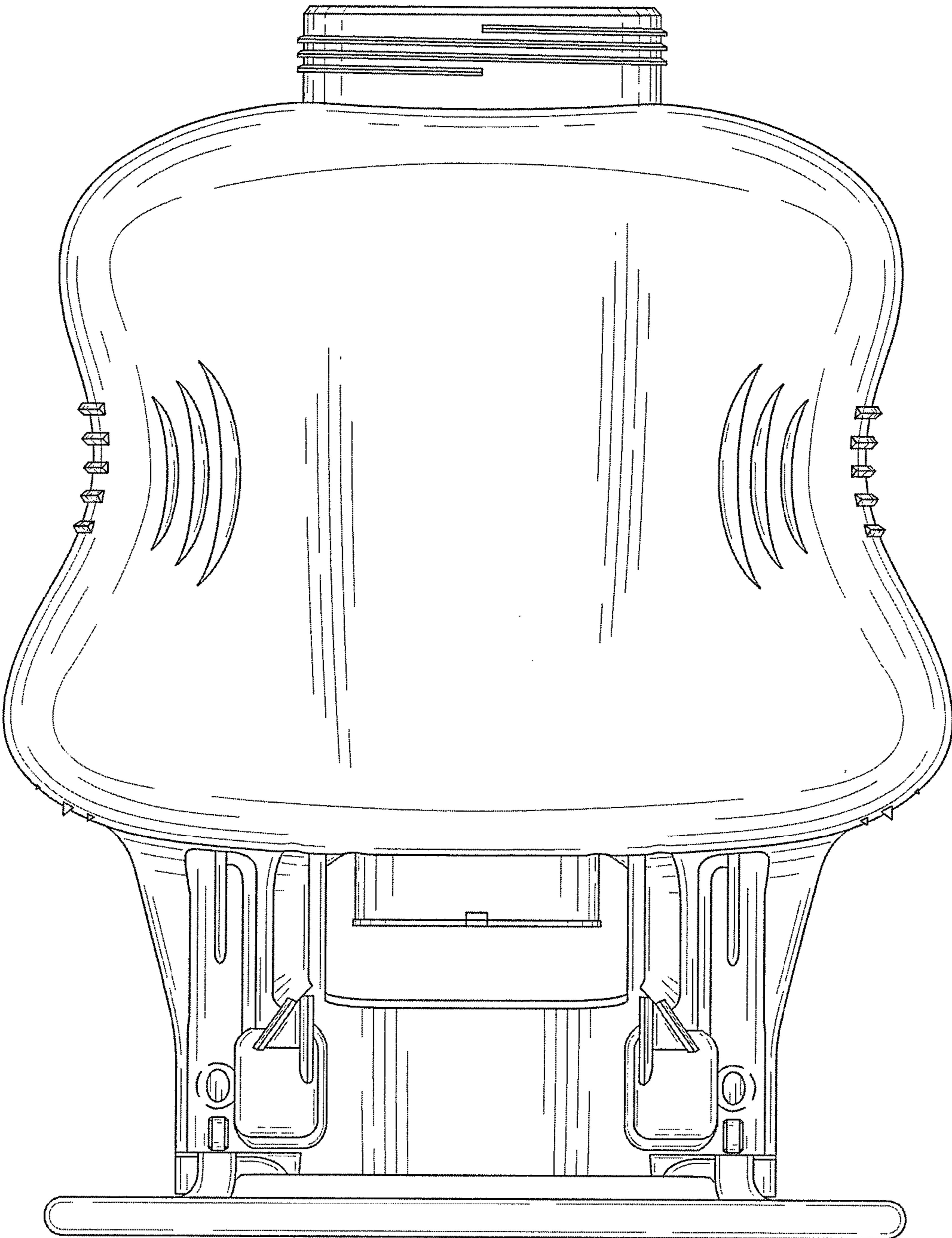


FIG. 2

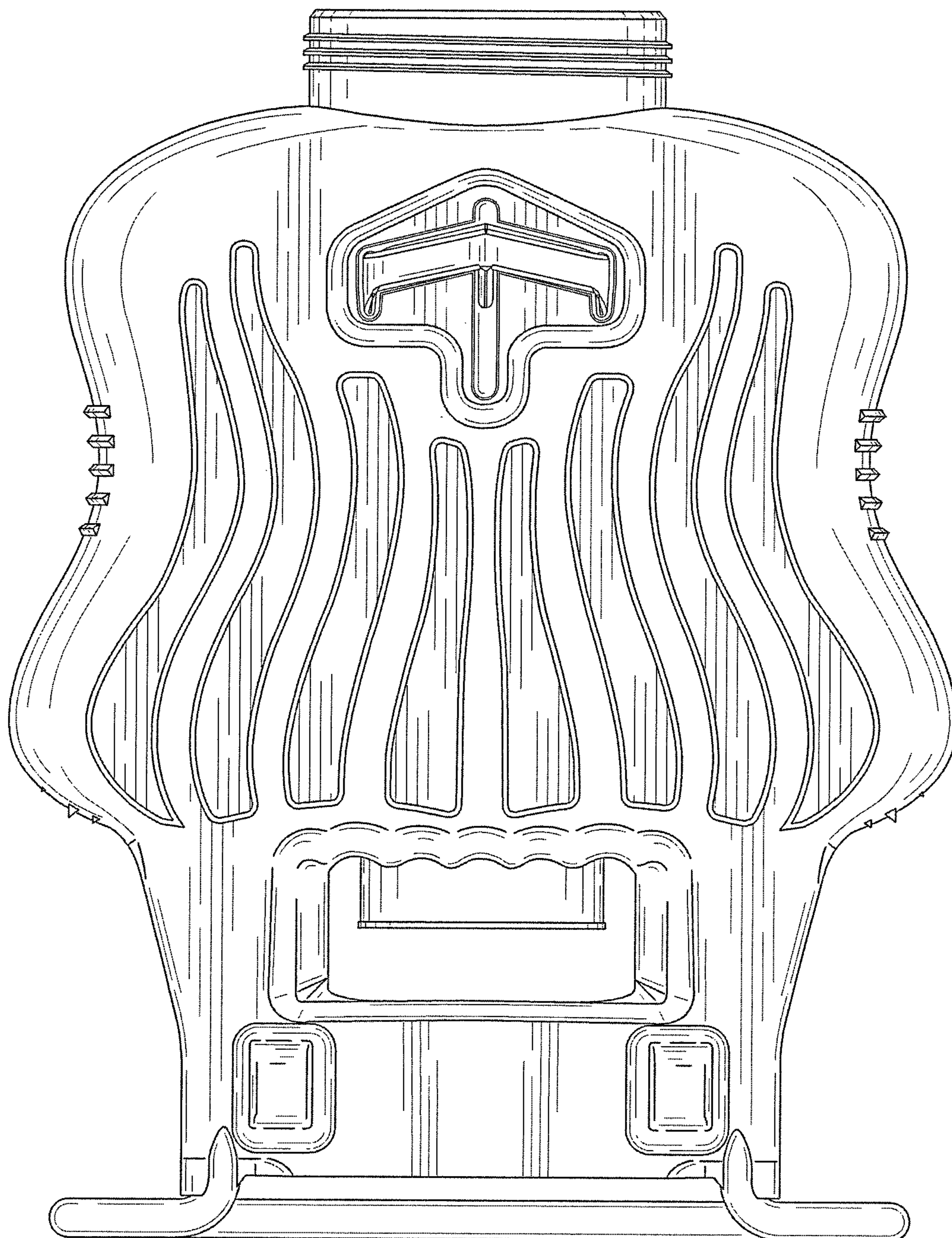


FIG. 3

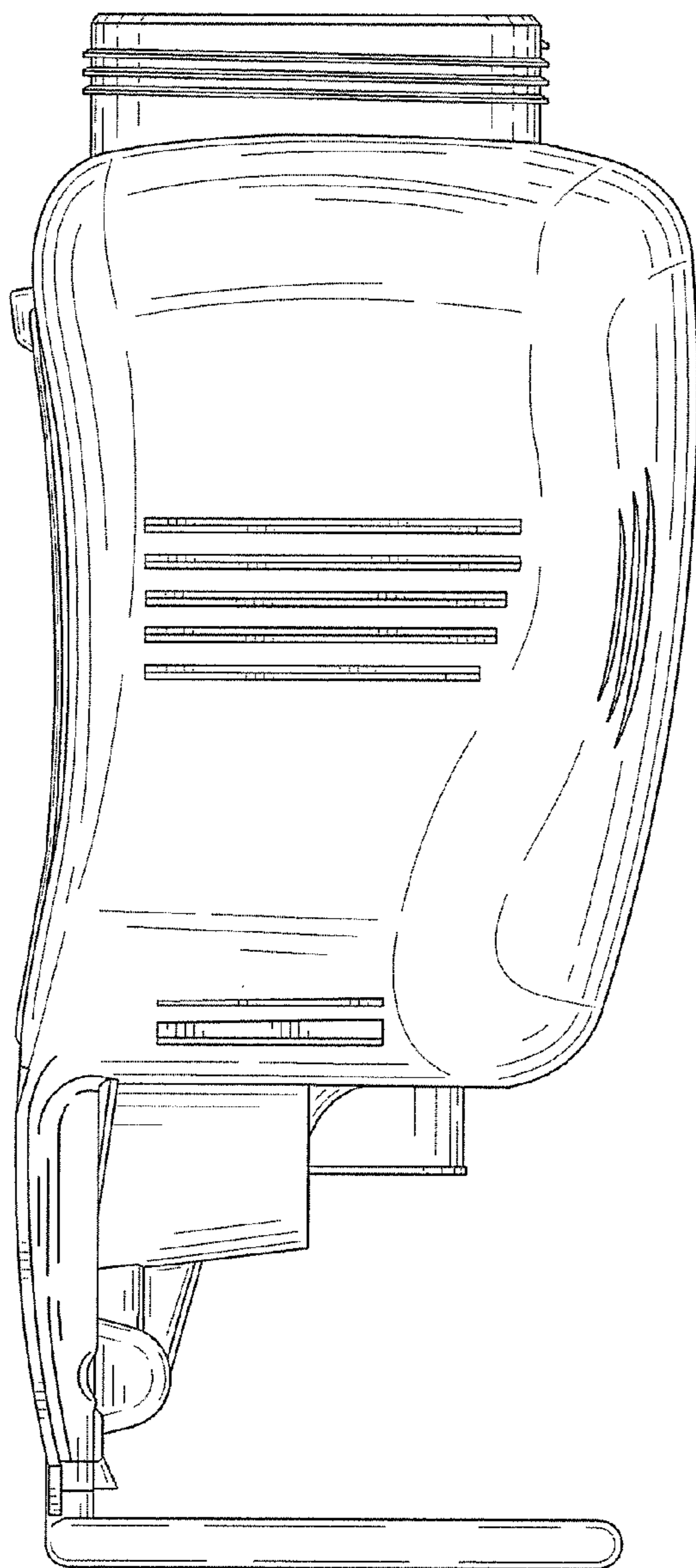


FIG. 4

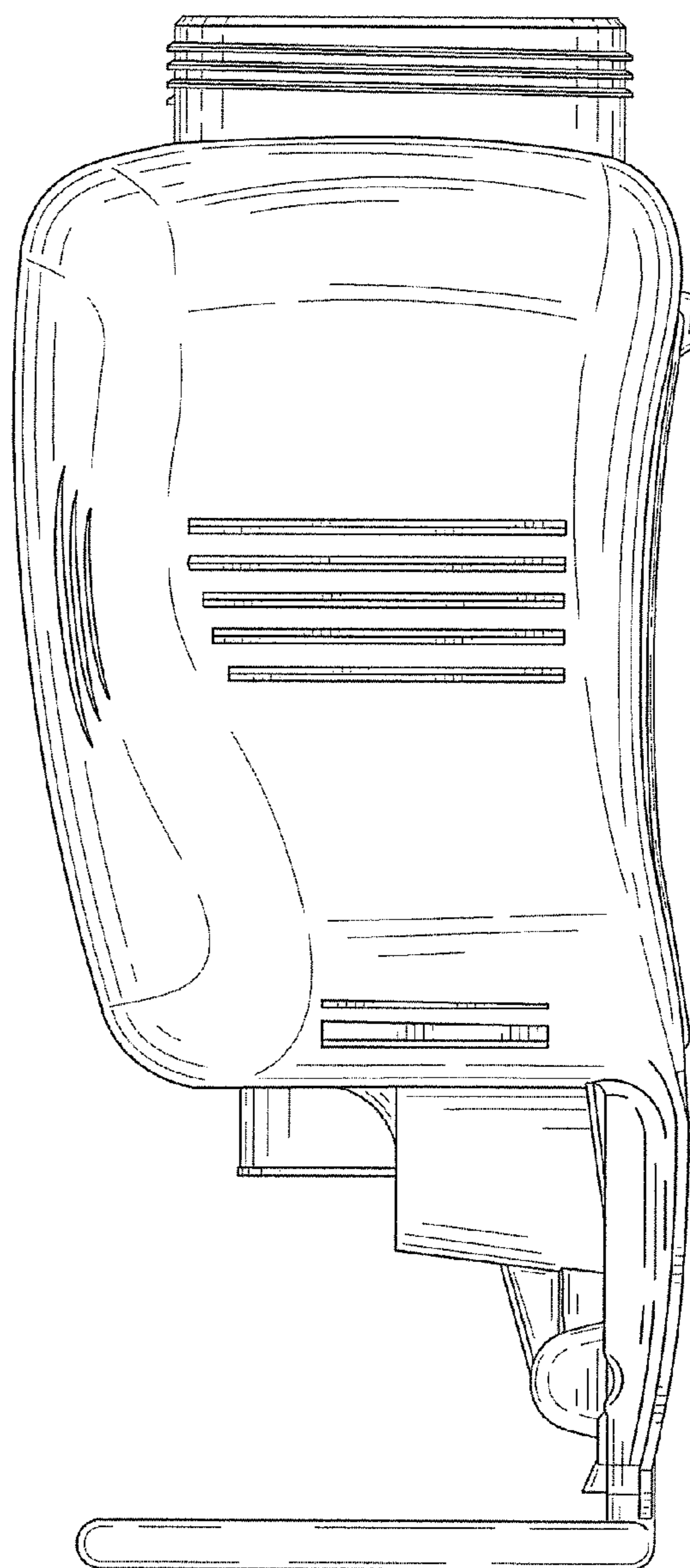


FIG. 5

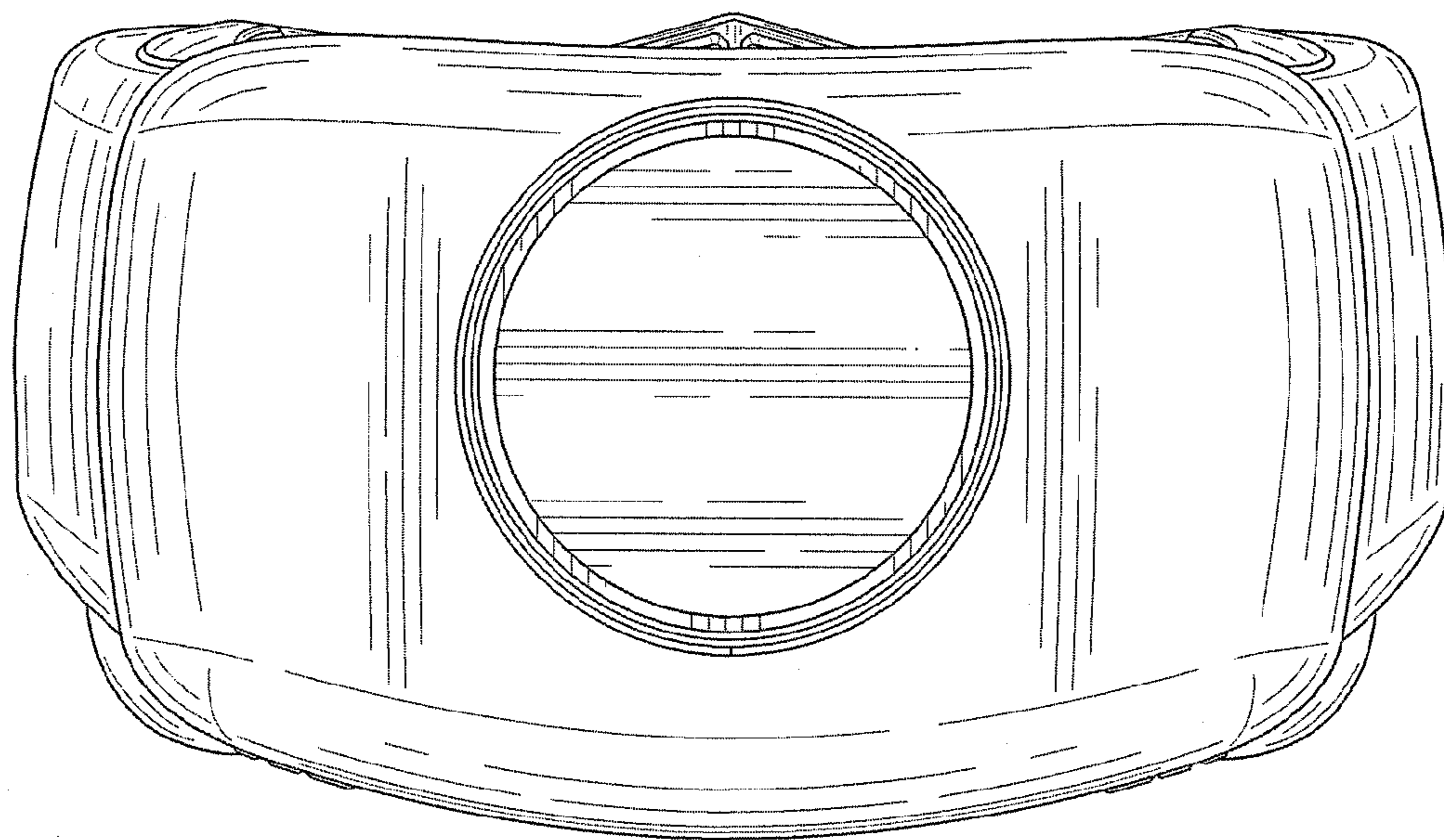


FIG. 6

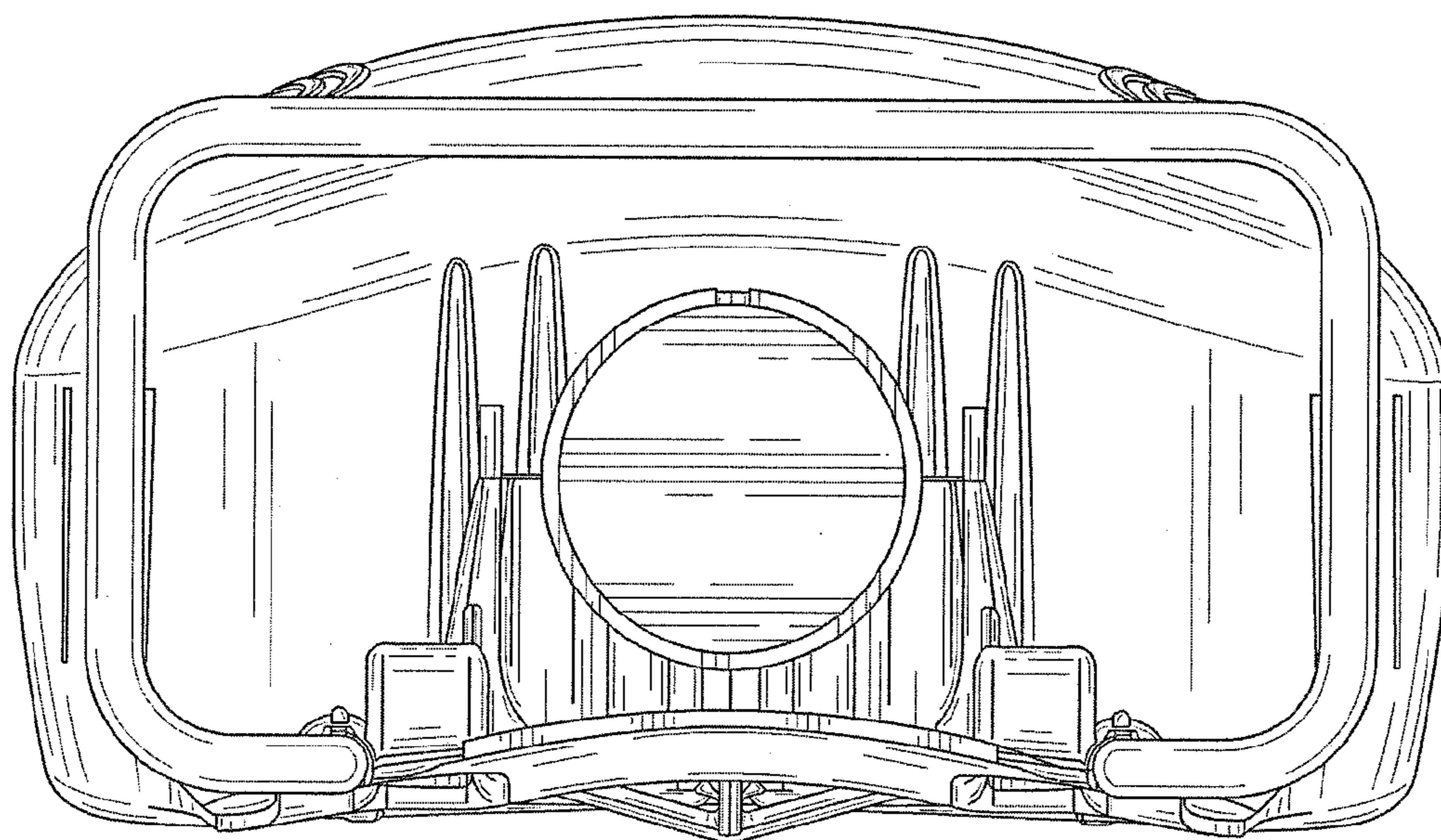


FIG. 7