



US00D685055S

(12) **United States Design Patent**
Deguchi

(10) **Patent No.:** **US D685,055 S**
(45) **Date of Patent:** **** Jun. 25, 2013**

(54) **FISHING REEL**

(71) Applicant: **Shimano Inc.**, Osaka (JP)
(72) Inventor: **Tomoya Deguchi**, Osaka (JP)
(73) Assignee: **Shimano Inc.**, Osaka (JP)
(**) Term: **14 Years**

(21) Appl. No.: **29/439,322**

(22) Filed: **Dec. 10, 2012**

(30) **Foreign Application Priority Data**

Jul. 9, 2012 (JP) 2012-016178

(51) **LOC (9) Cl.** **22-05**

(52) **U.S. Cl.**
USPC **D22/141**

(58) **Field of Classification Search**
USPC D22/141, 140, 137-139; 242/310-316,
242/223-224, 230, 283, 322, 241-243, 227;
43/19-22
See application file for complete search history.

(56) **References Cited**

U.S. PATENT DOCUMENTS

4,821,977 A * 4/1989 Schuster 242/227
D309,936 S * 8/1990 Hiraishi et al. D22/141
D505,991 S * 6/2005 Iwabuchi et al. D22/141
D516,664 S 3/2006 Iwabuchi
D589,586 S 3/2009 Noma
D595,386 S 6/2009 Nago

D613,364 S * 4/2010 Koelewyn D22/141

* cited by examiner

Primary Examiner — Catheri Oliver-Garcia

(74) *Attorney, Agent, or Firm* — Global IP Counselors

(57) **CLAIM**

The ornamental design for a fishing reel, as shown and described.

DESCRIPTION

FIG. 1 is a first perspective view of a fishing reel in accordance with my new design;

FIG. 2 is a second perspective view of the fishing reel illustrated in FIG. 1;

FIG. 3 is a third perspective view of the fishing reel illustrated in FIG. 1;

FIG. 4 is a first side elevational view of the fishing reel illustrated in FIG. 1;

FIG. 5 is a second side elevational view of the fishing reel illustrated in FIG. 1 that is opposite side view of FIG. 4;

FIG. 6 is a top plan view of the fishing reel illustrated in FIG. 1;

FIG. 7 is a bottom plan view of the fishing reel illustrated in FIG. 1;

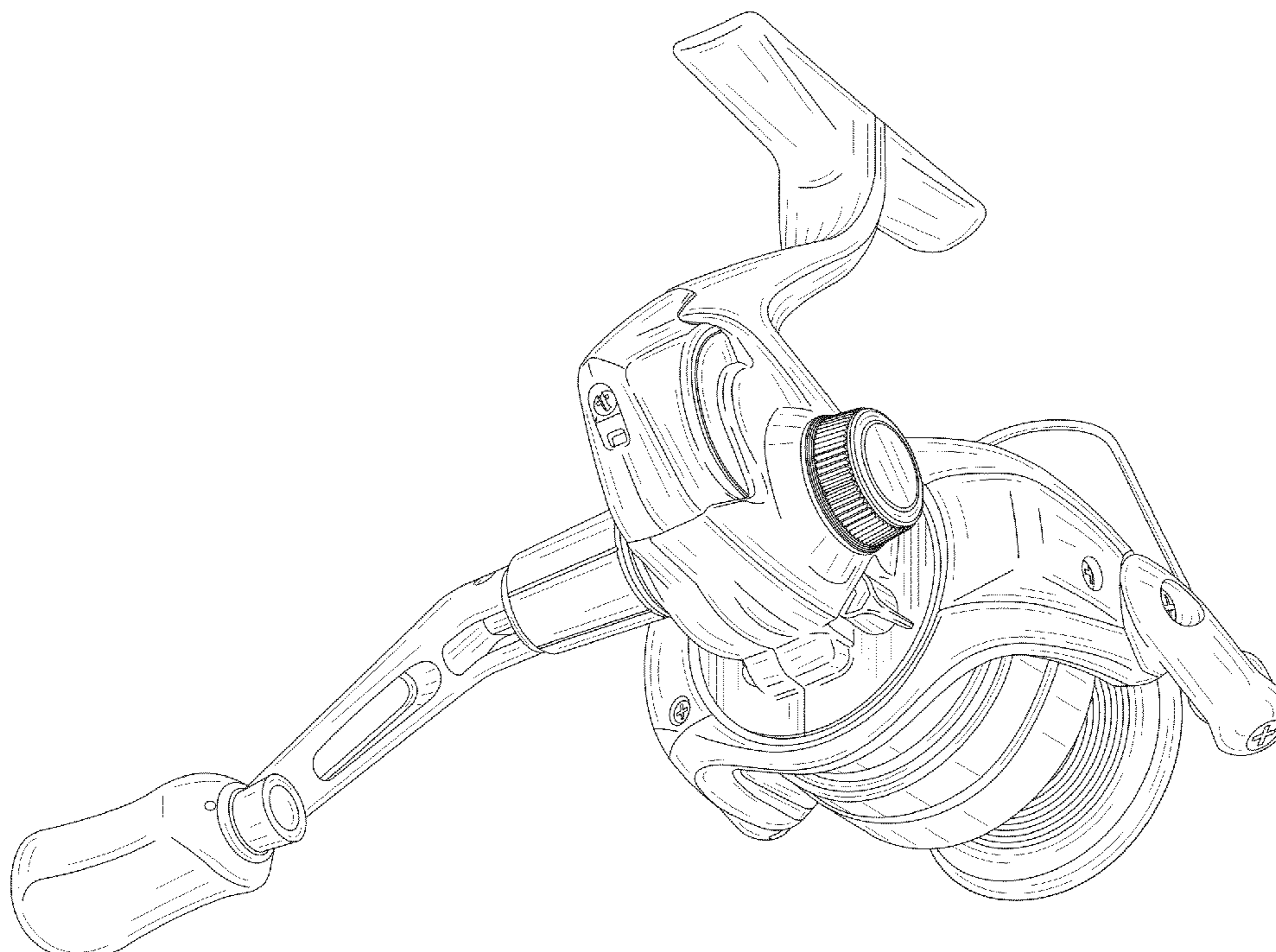
FIG. 8 is a front end elevational view of the fishing reel illustrated in FIG. 1;

FIG. 9 is a rear end elevational view of the fishing reel illustrated in FIG. 1;

FIG. 10 is a first enlarged, partial perspective view of a rear portion of the fishing reel illustrated in FIG. 1; and,

FIG. 11 is a second enlarged, partial perspective view of a rear portion of the fishing reel illustrated in FIG. 1.

1 Claim, 8 Drawing Sheets



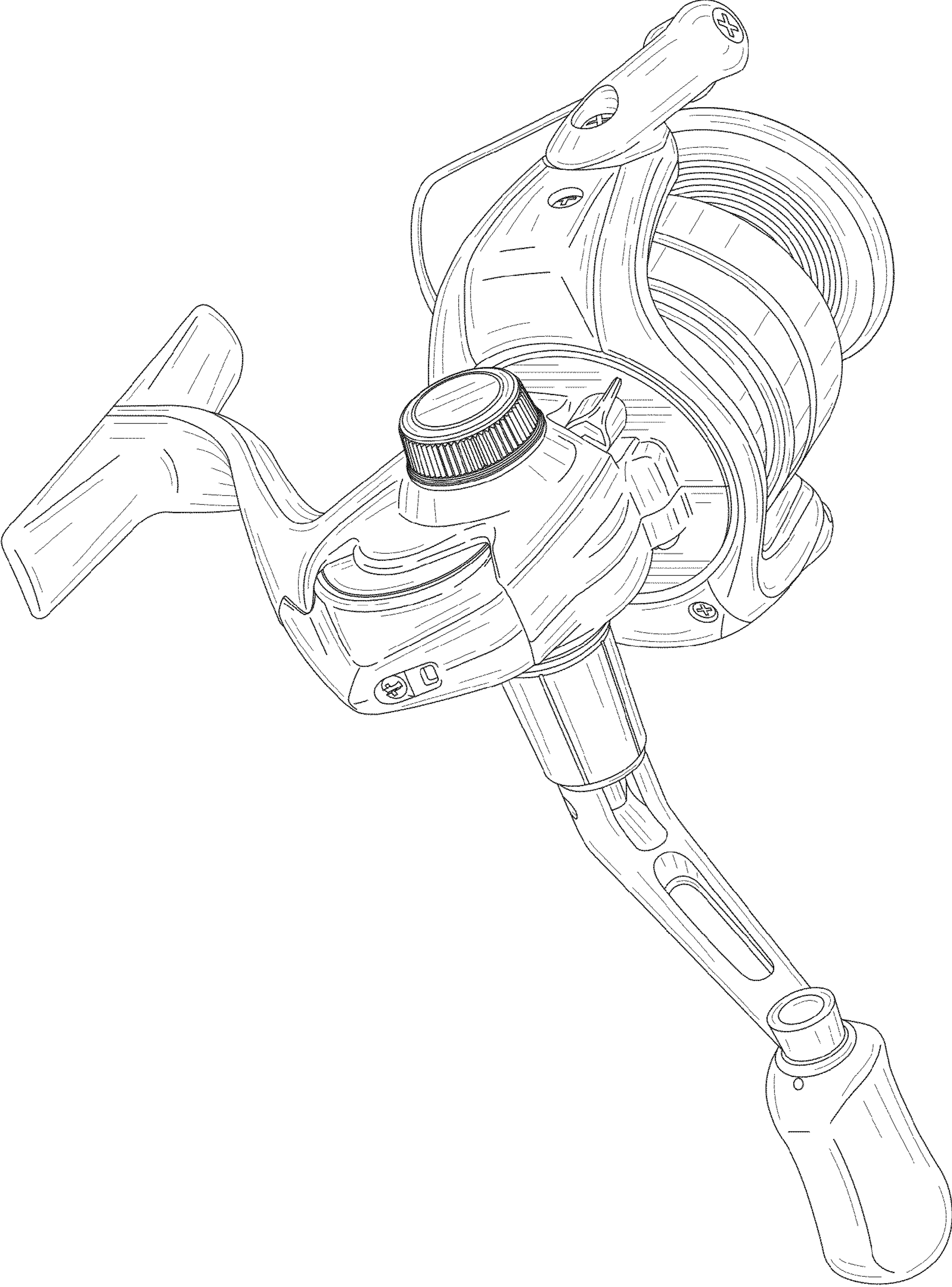


FIG. 1

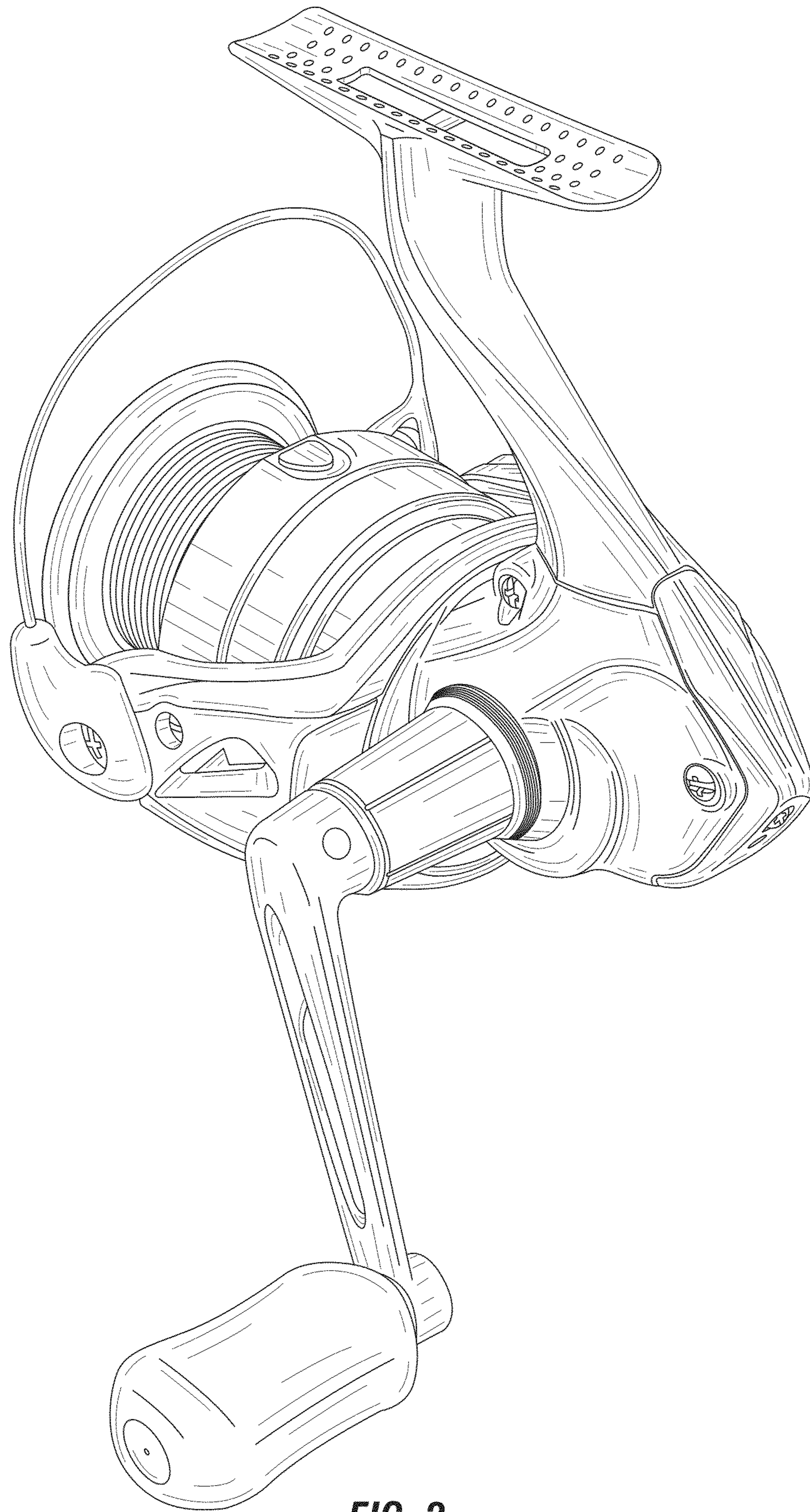


FIG. 2

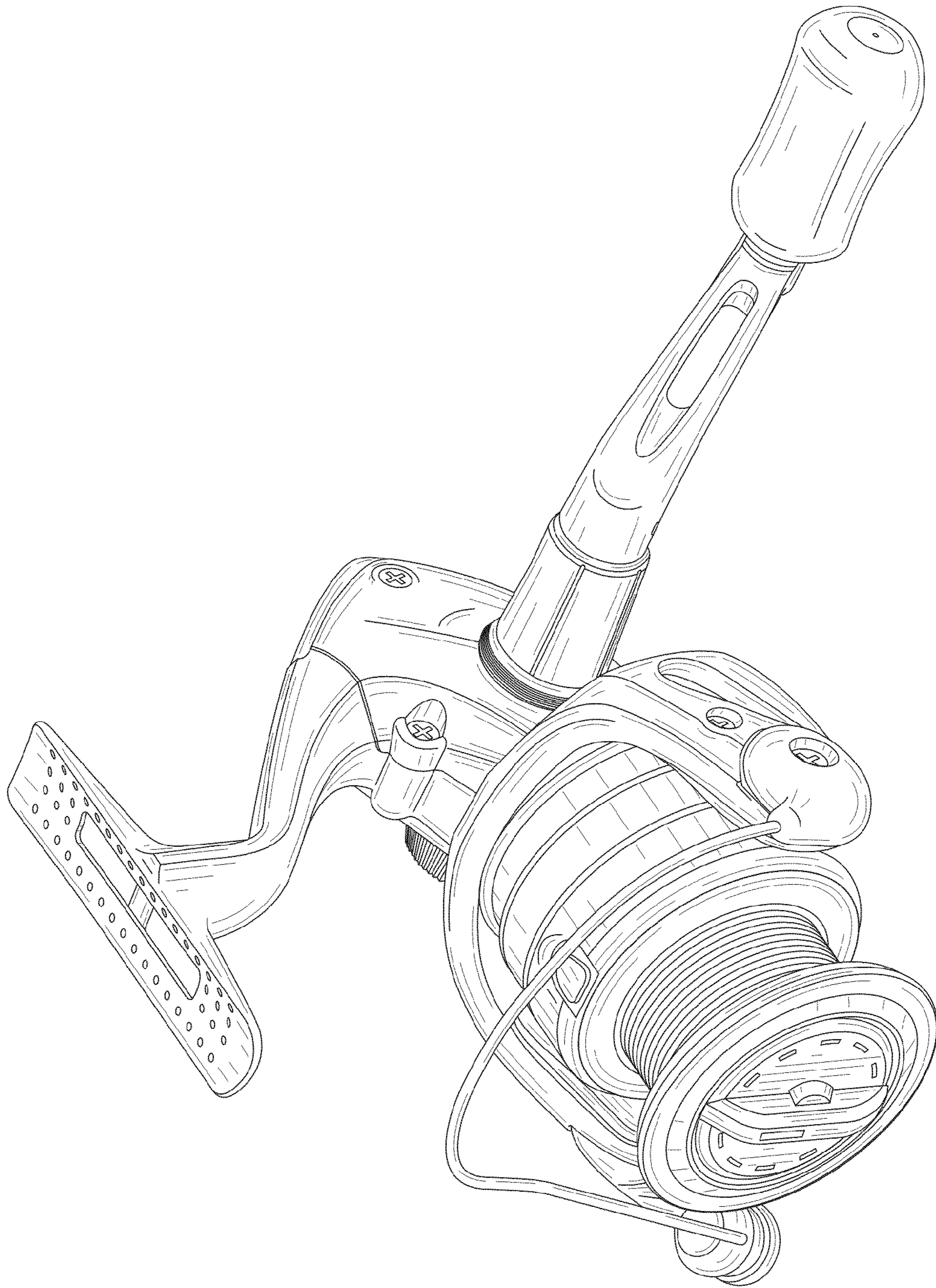


FIG. 3

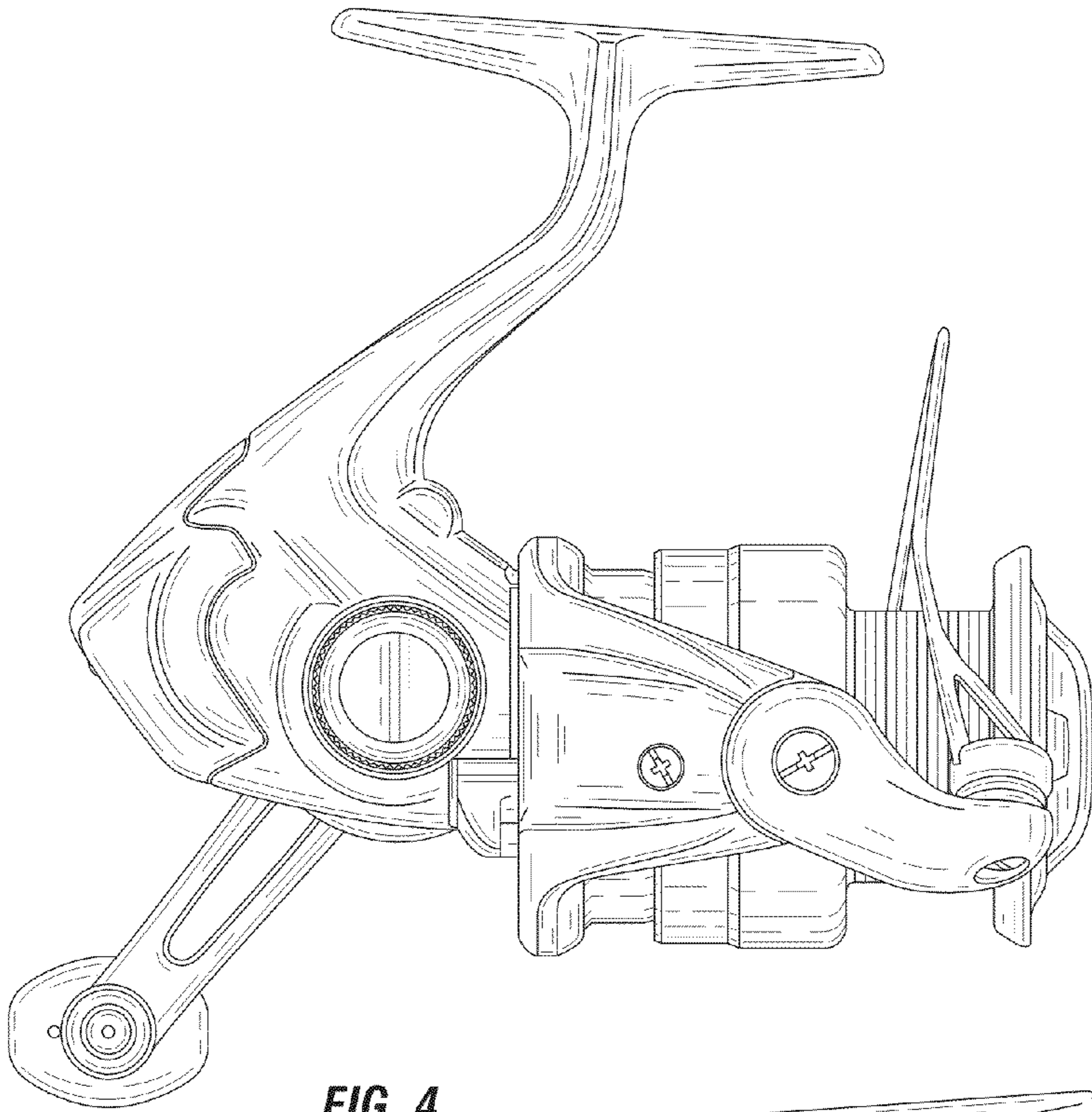


FIG. 4

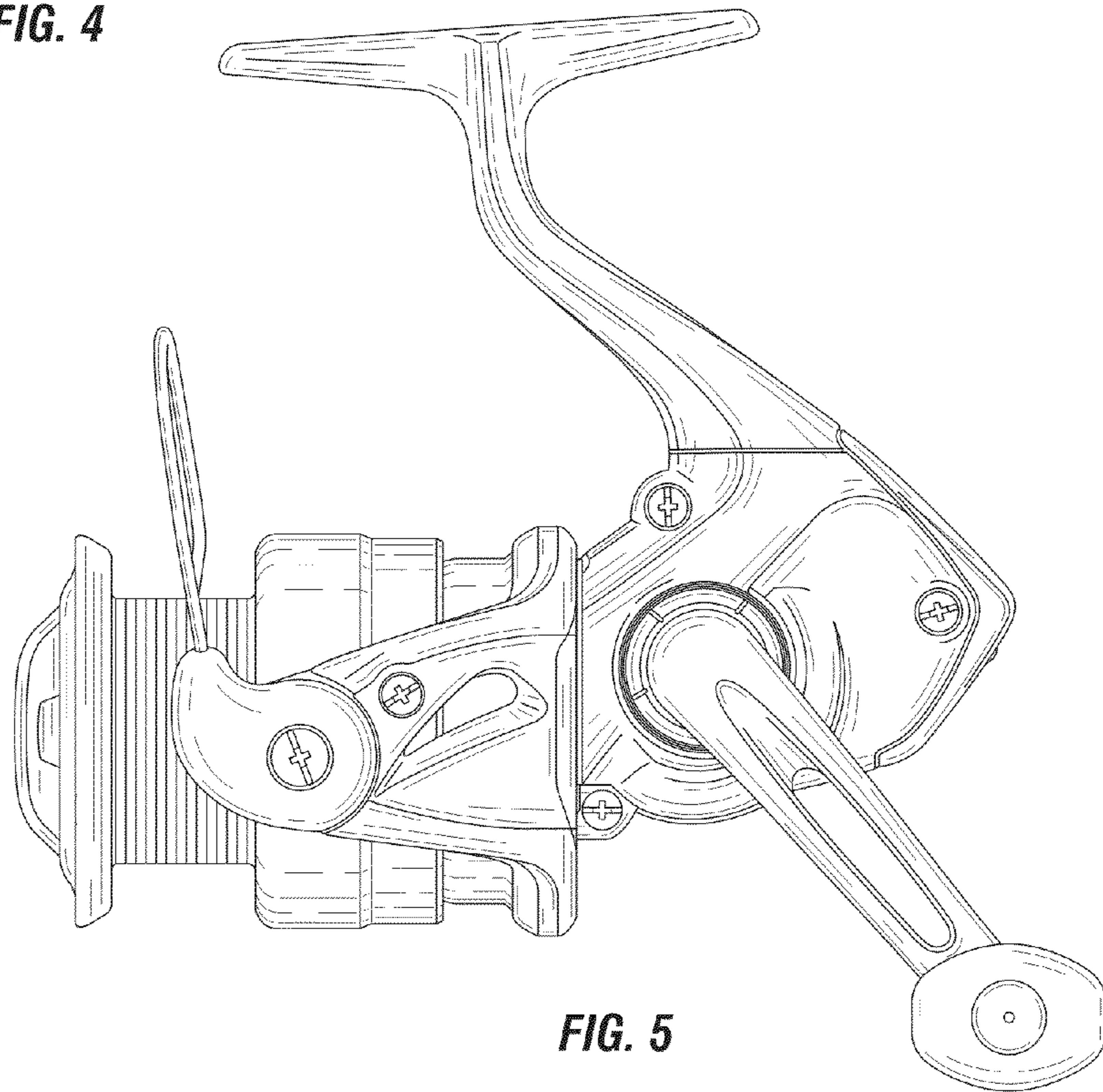


FIG. 5

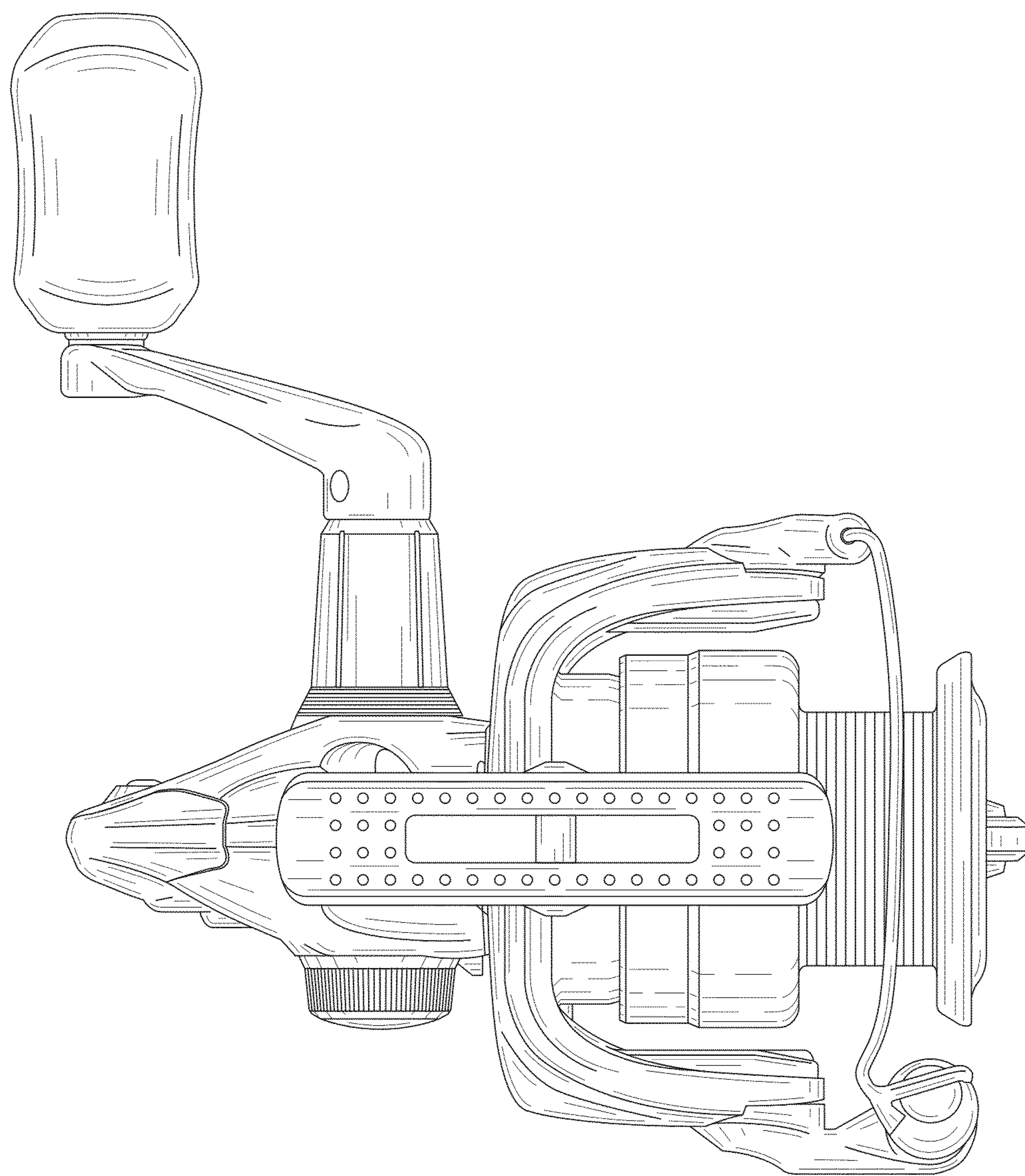


FIG. 6

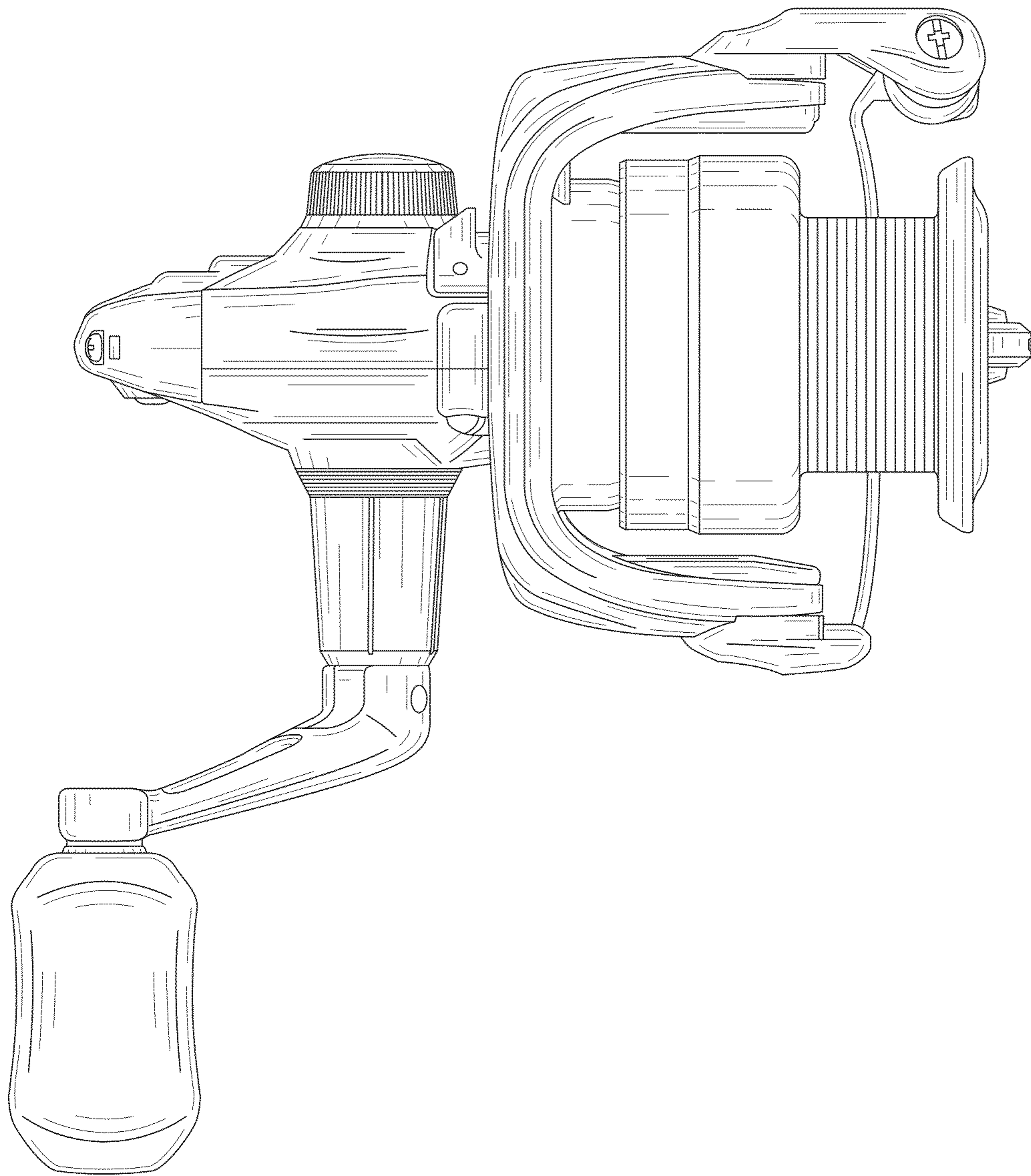


FIG. 7

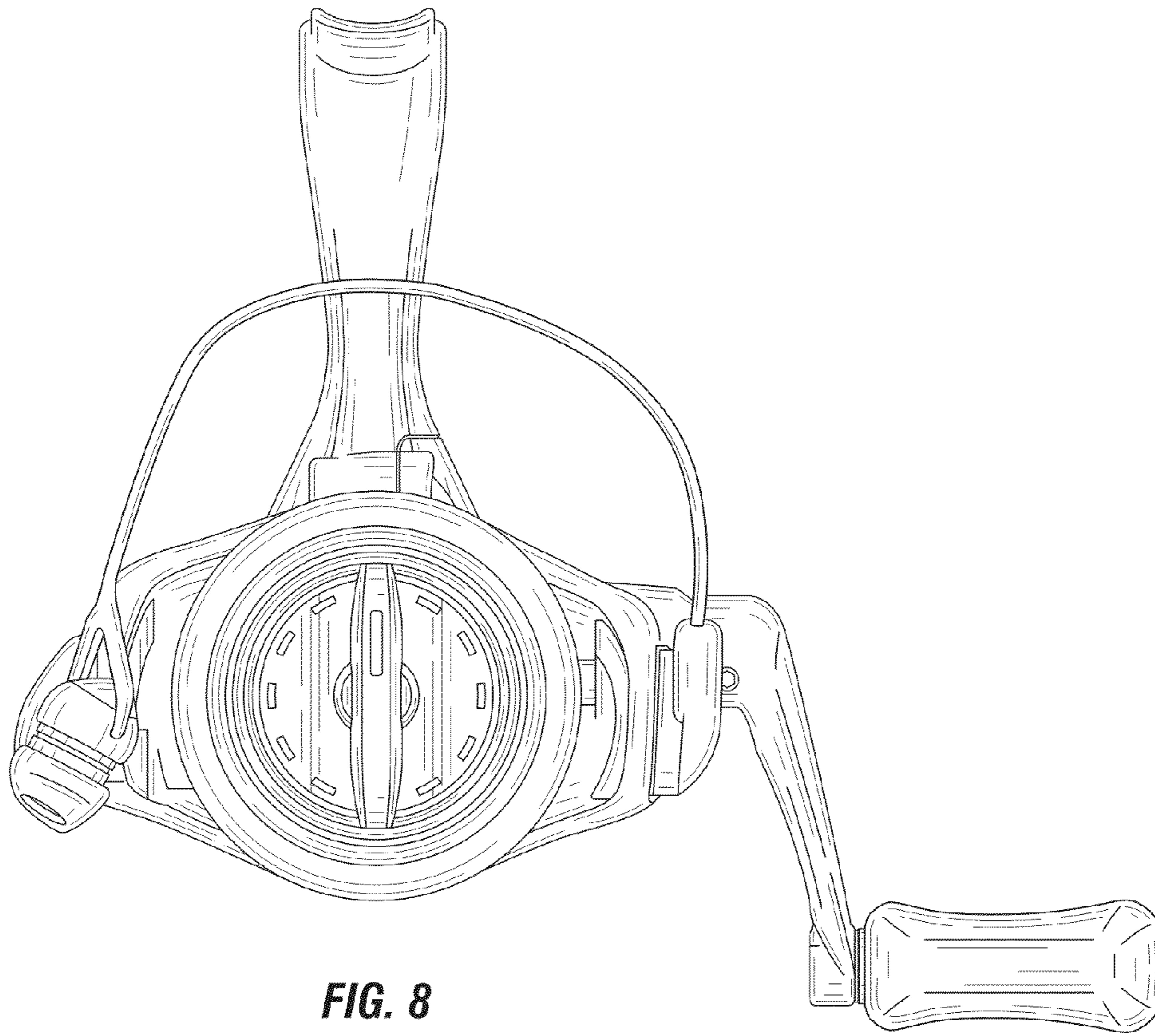


FIG. 8

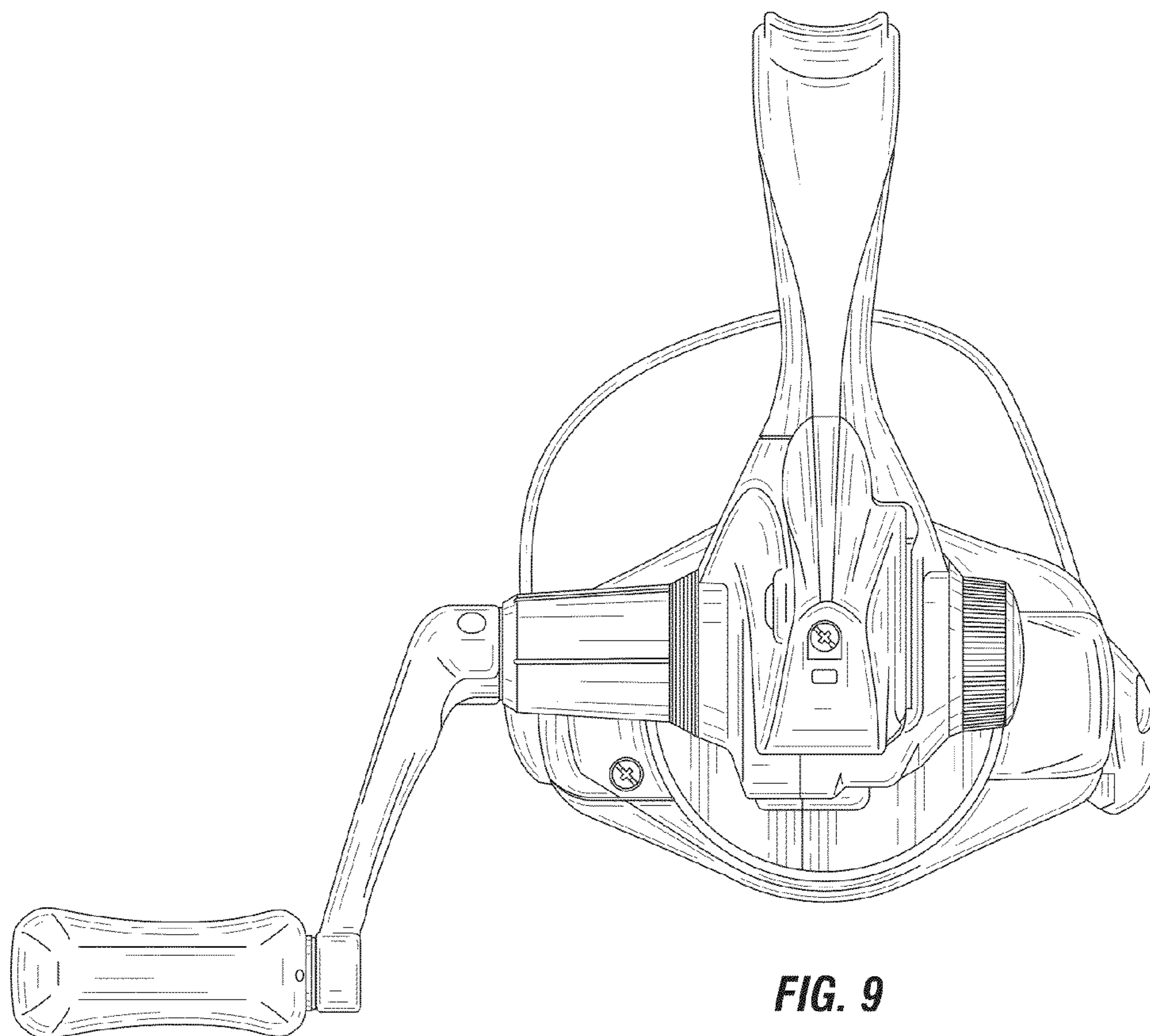


FIG. 9

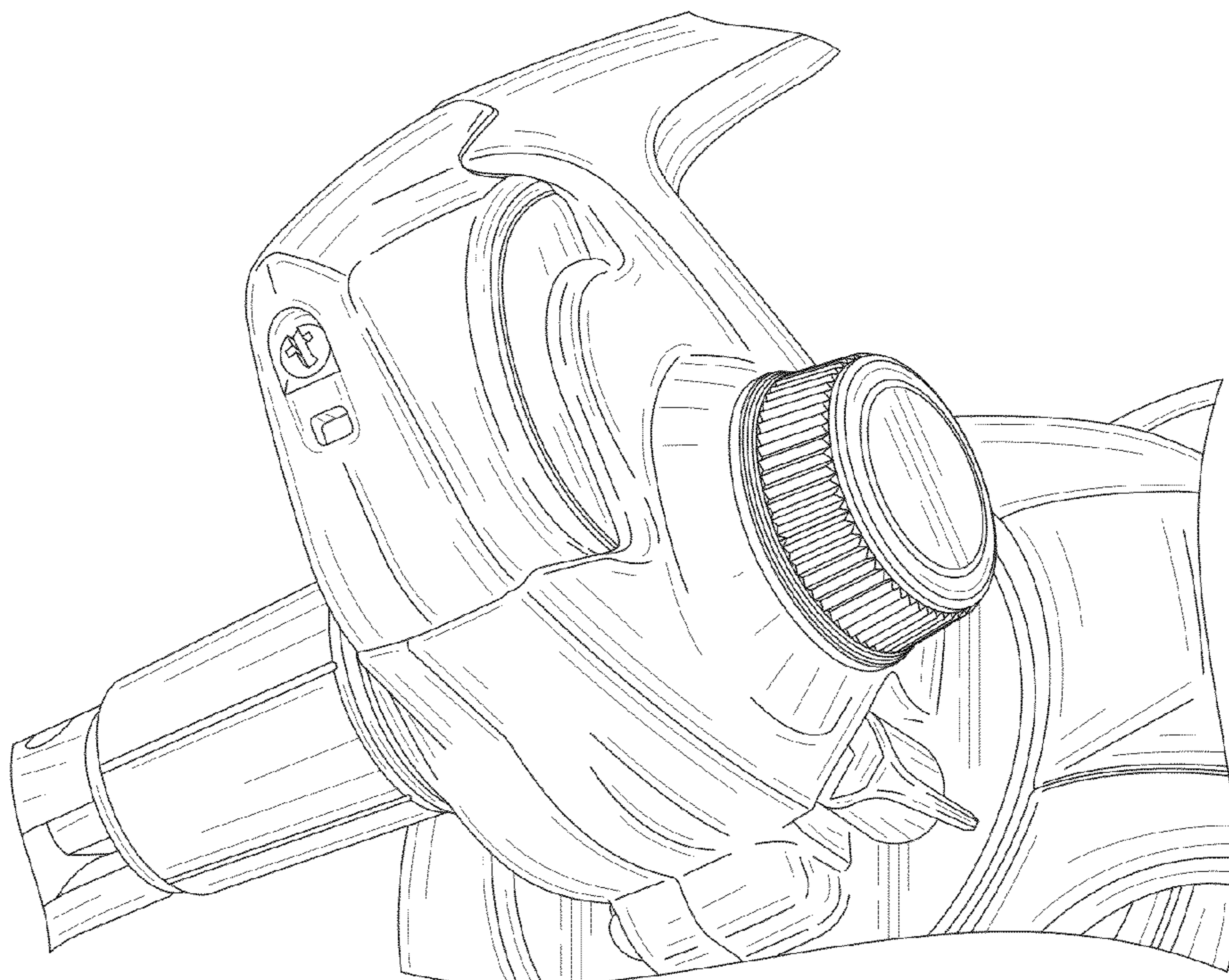


FIG. 10

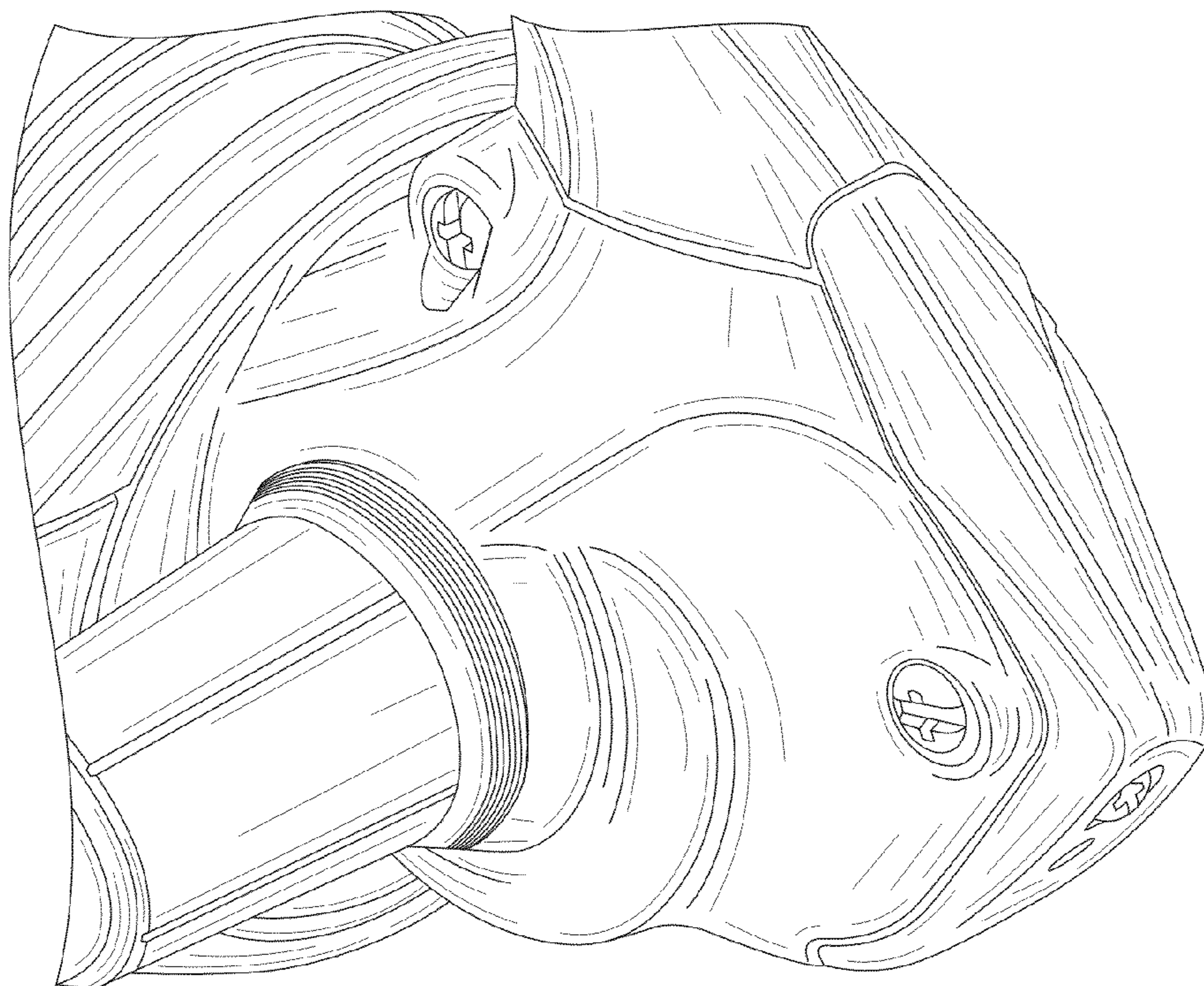


FIG. 11