



US00D685052S

(12) **United States Design Patent**  
**Mok**

(10) **Patent No.:** **US D685,052 S**  
(45) **Date of Patent:** **\*\* Jun. 25, 2013**

(54) **FLIP-LOCK RIFLESCOPE MOUNT**

*Primary Examiner* — Michael A Pratt

(75) Inventor: **Kwok Hoo Mok**, Hong Kong (HK)

(57) **CLAIM**

The ornamental design for a flip-lock rifle scope mount, as shown.

(73) Assignee: **Alot Enterprise Company Limited**,  
Hong Kong (HK)

(\*\*) Term: **14 Years**

**DESCRIPTION**

(21) Appl. No.: **29/417,260**

FIG. 1 is a front view of a flip-lock rifle scope mount of my new design;

(22) Filed: **Apr. 2, 2012**

FIG. 2 is a rear view of the flip-lock rifle scope mount;

(51) **LOC (9) Cl.** ..... **22-01**

FIG. 3 is a left view of the flip-lock rifle scope mount;

(52) **U.S. Cl.**

FIG. 4 is a right view of the flip-lock rifle scope mount;

USPC ..... **D22/109**

FIG. 5 is a top view of the flip-lock rifle scope mount;

(58) **Field of Classification Search**

USPC ..... D22/109–110; D16/132, 130, 133,  
D16/330, 134; 42/111, 133, 119, 122; 359/399,  
359/823, 744

FIG. 6 is a bottom view of the flip-lock rifle scope mount;

See application file for complete search history.

FIG. 7 is a left perspective view of the flip-lock rifle scope mount in opened position;

(56) **References Cited**

**U.S. PATENT DOCUMENTS**

- 2,887,668 A \* 5/1959 Sherno ..... 439/757
- D657,840 S \* 4/2012 Prieto ..... D22/108
- D659,221 S \* 5/2012 Wu et al. .... D22/108
- 2011/0247255 A1 \* 10/2011 Ding et al. .... 42/90

FIG. 8 is a right perspective view of the flip-lock rifle scope mount in opened position;

FIG. 9 is a left perspective view of the flip-lock rifle scope mount in unlocked and closed position;

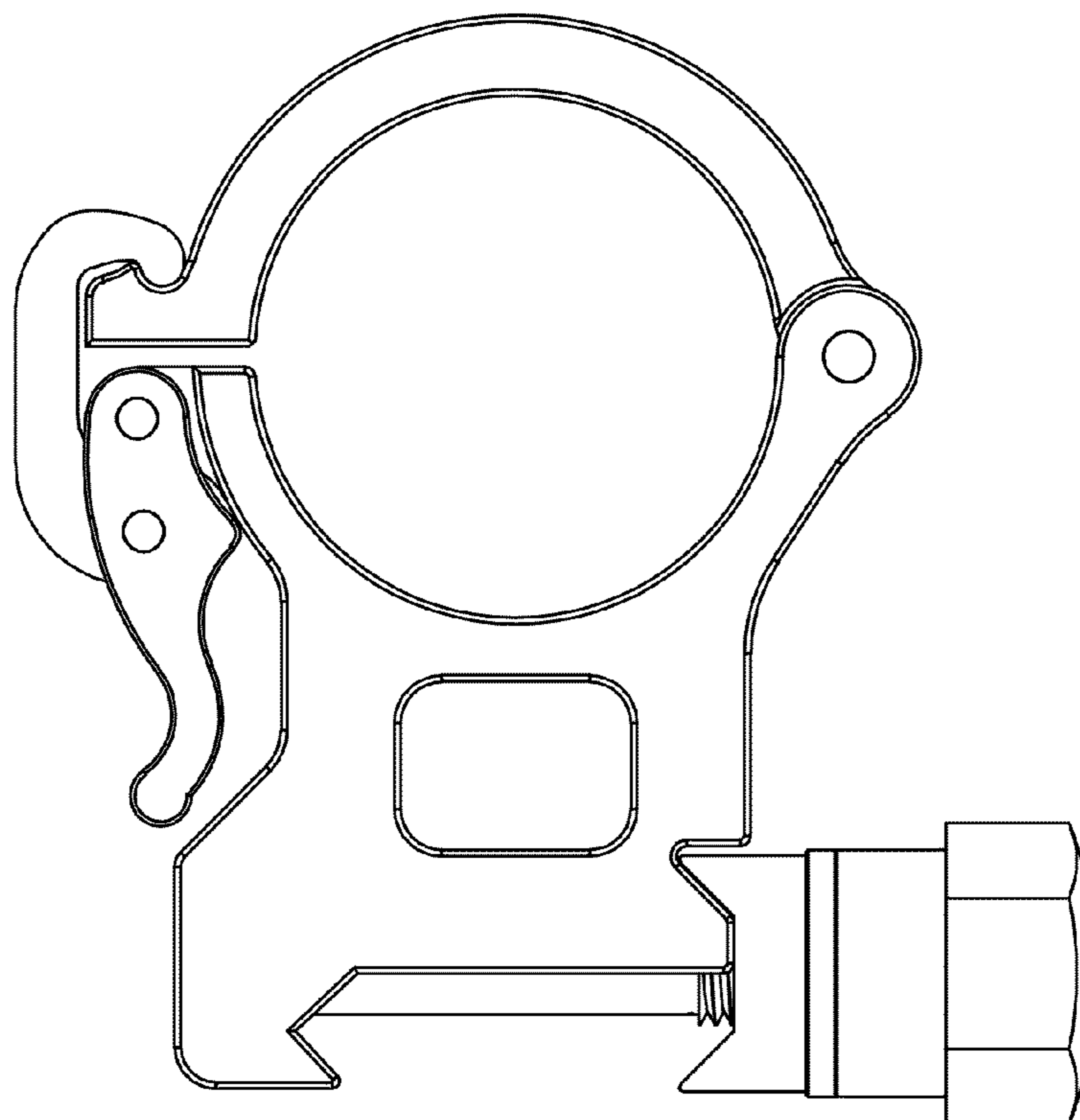
FIG. 10 is a right perspective view of the flip-lock rifle scope mount in unlocked and closed position;

FIG. 11 is a left perspective view of the locked flip-lock rifle scope mount in locked position; and,

FIG. 12 is a right perspective view of the flip-lock rifle scope mount in locked position.

\* cited by examiner

**1 Claim, 12 Drawing Sheets**



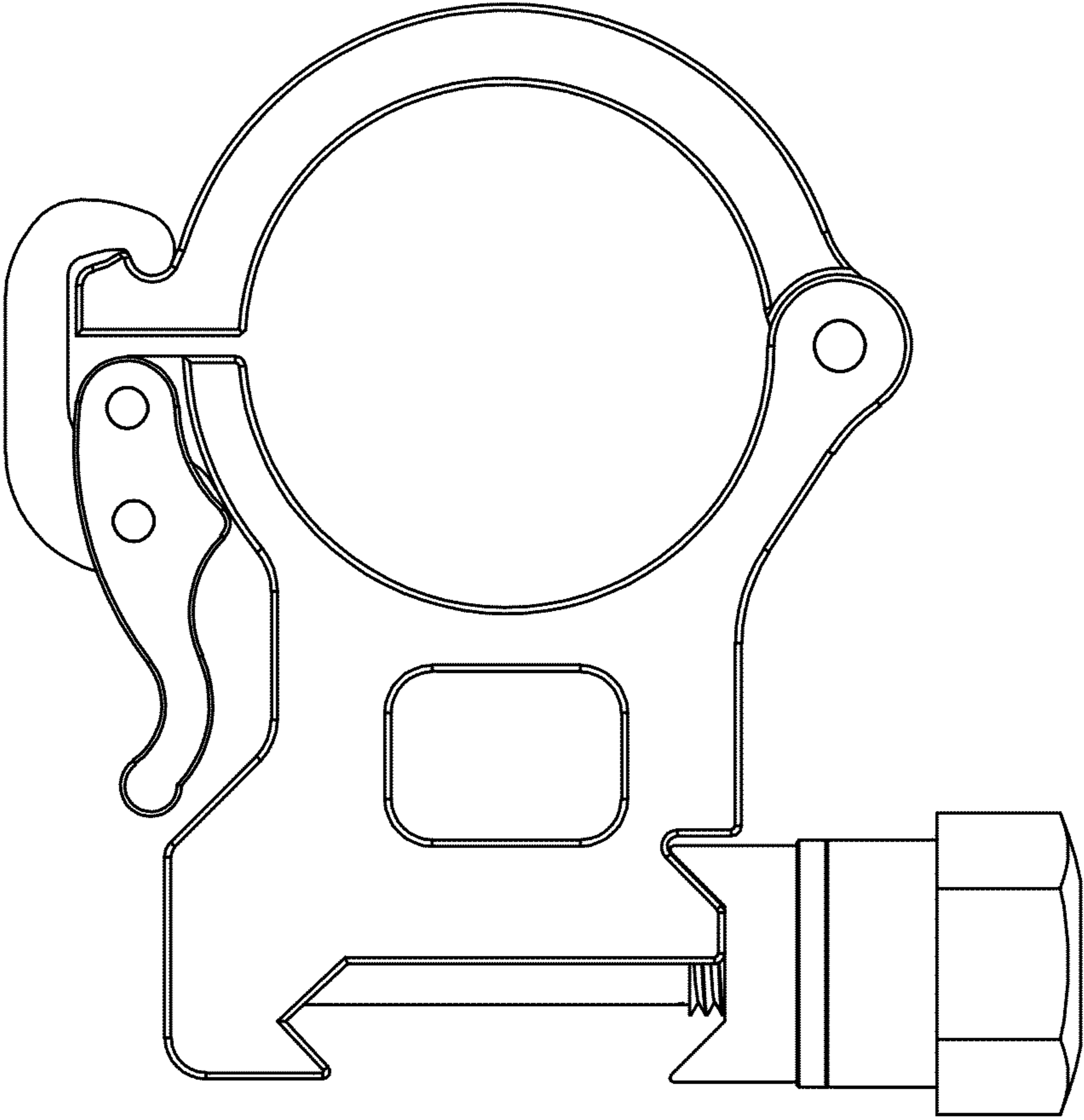


FIG. 1

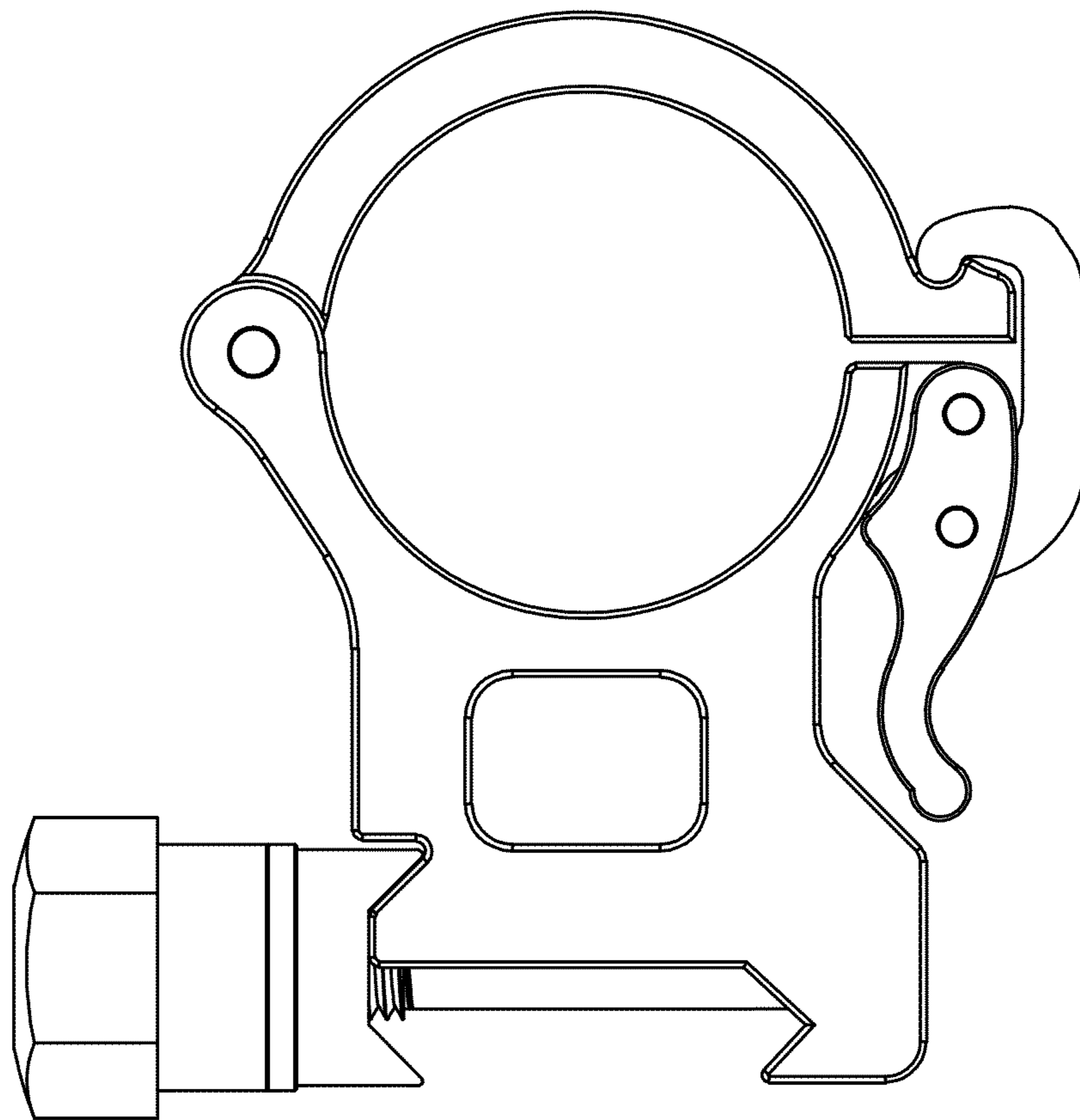


FIG. 2

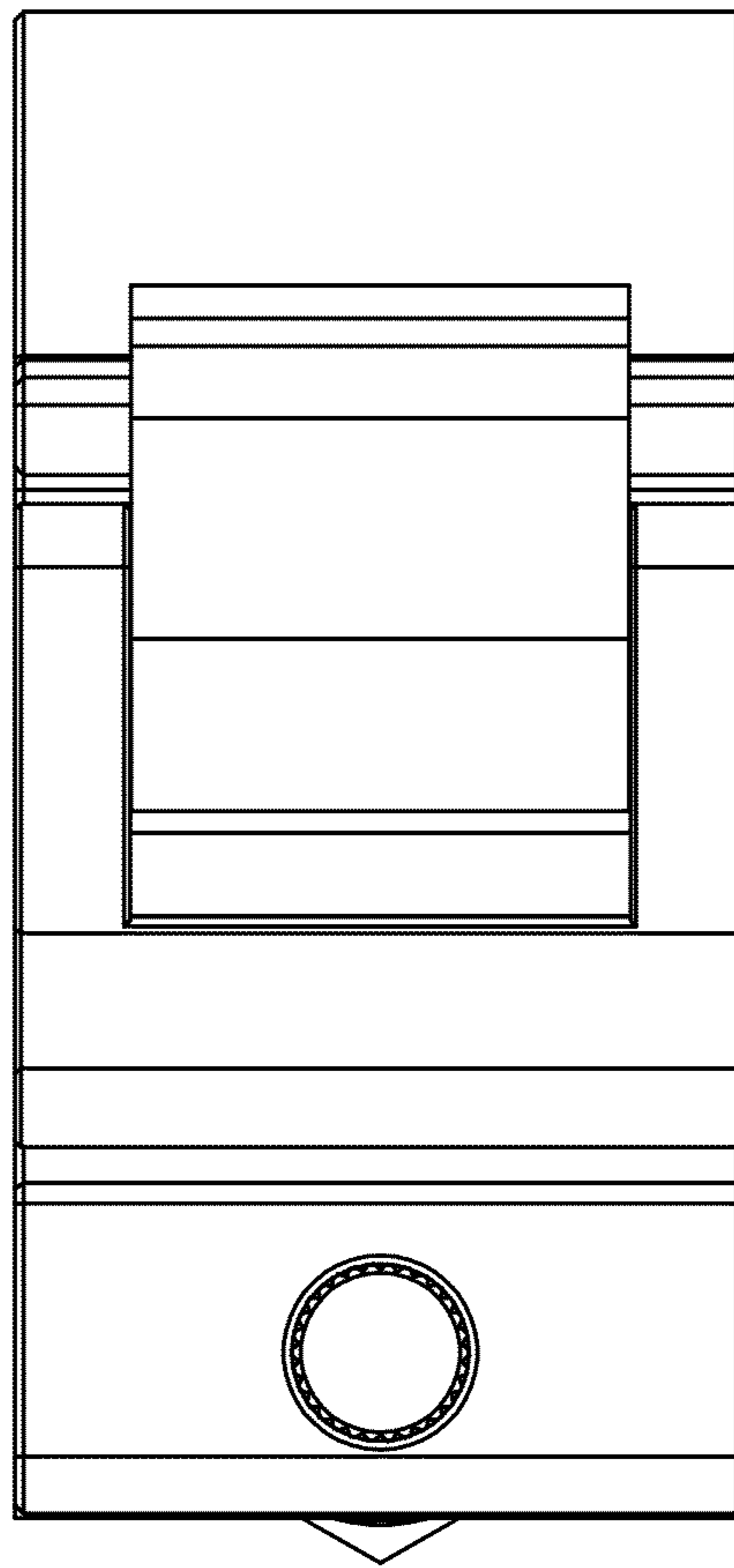


FIG. 3

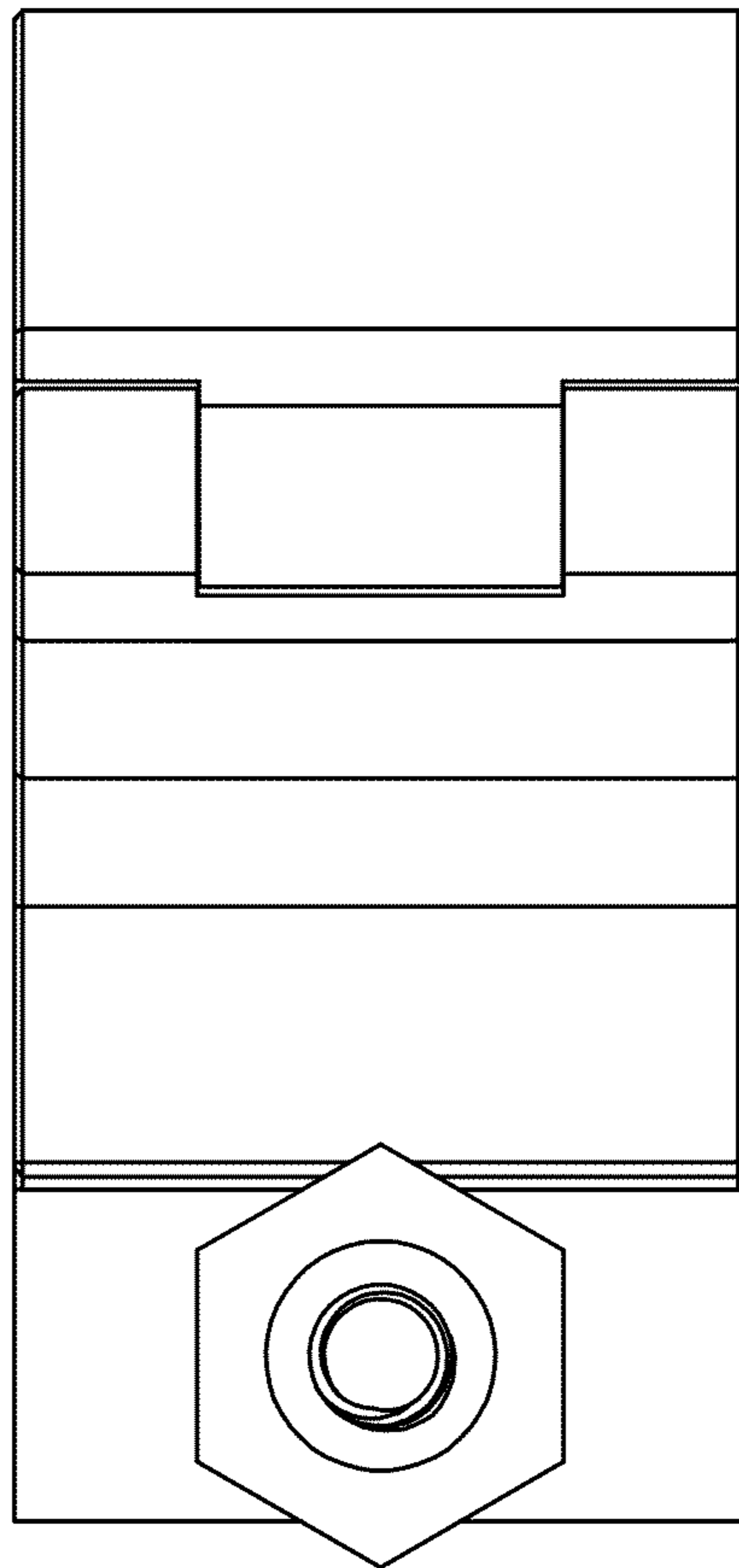


FIG. 4

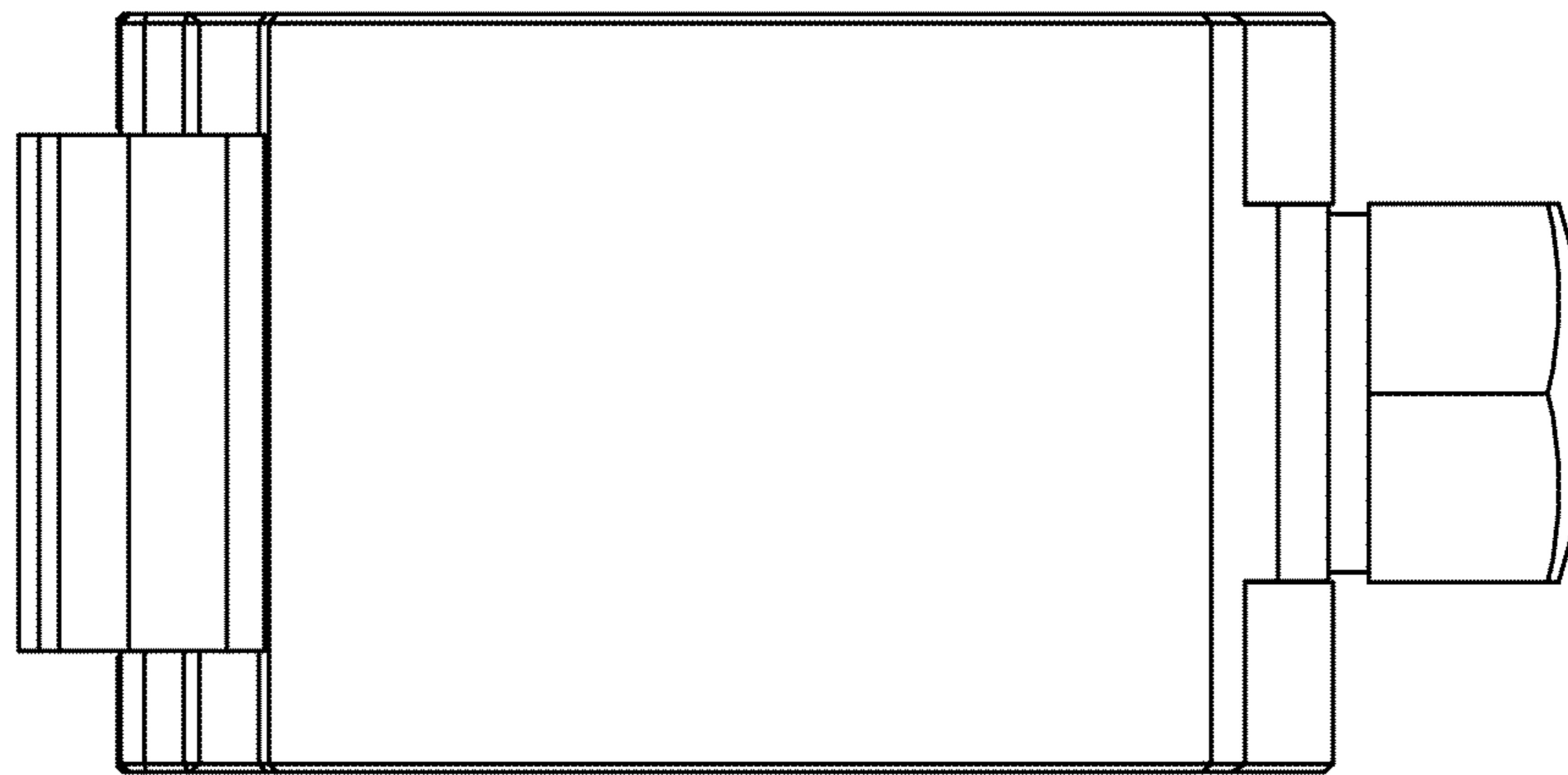


FIG. 5

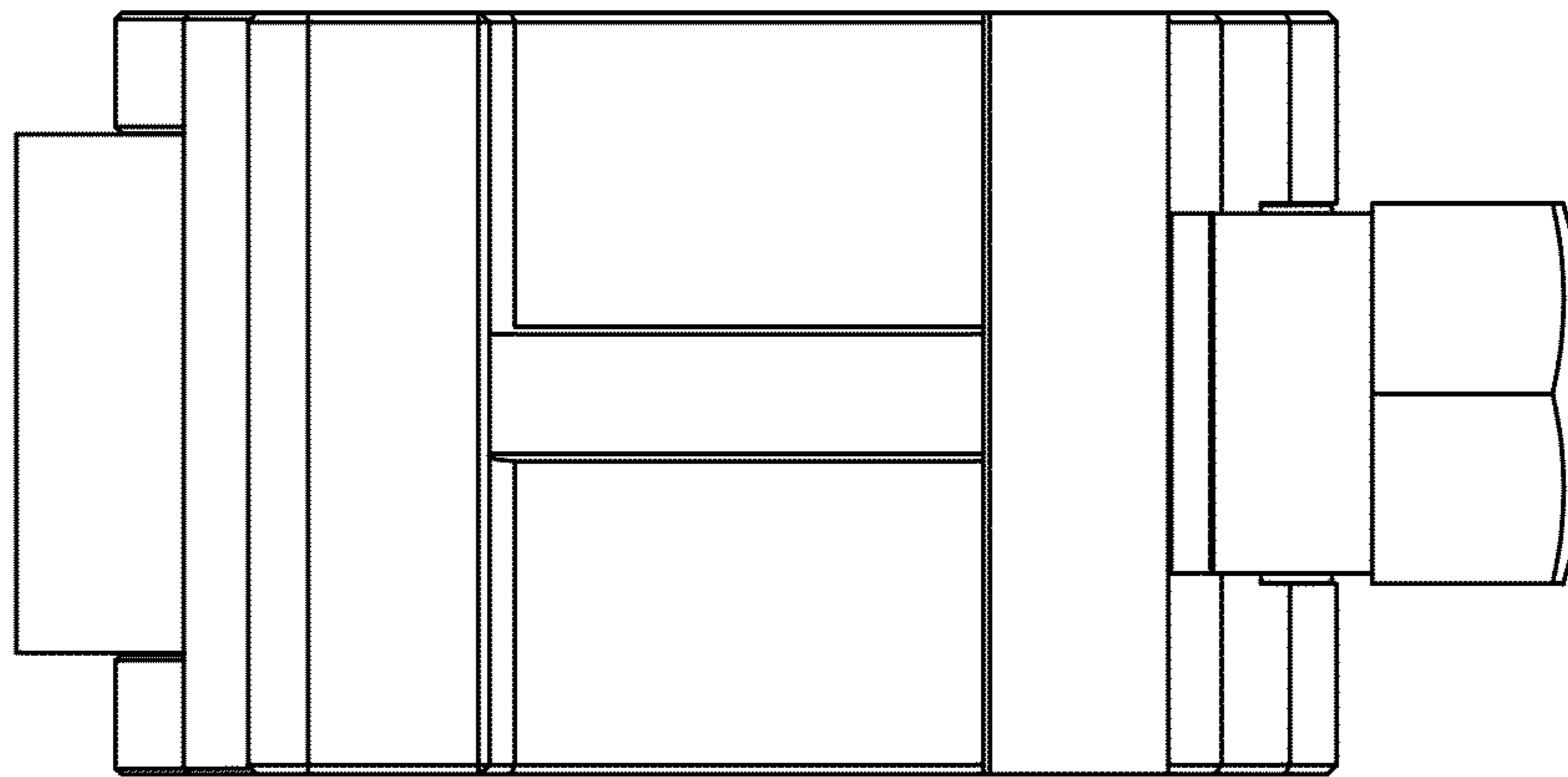


FIG. 6



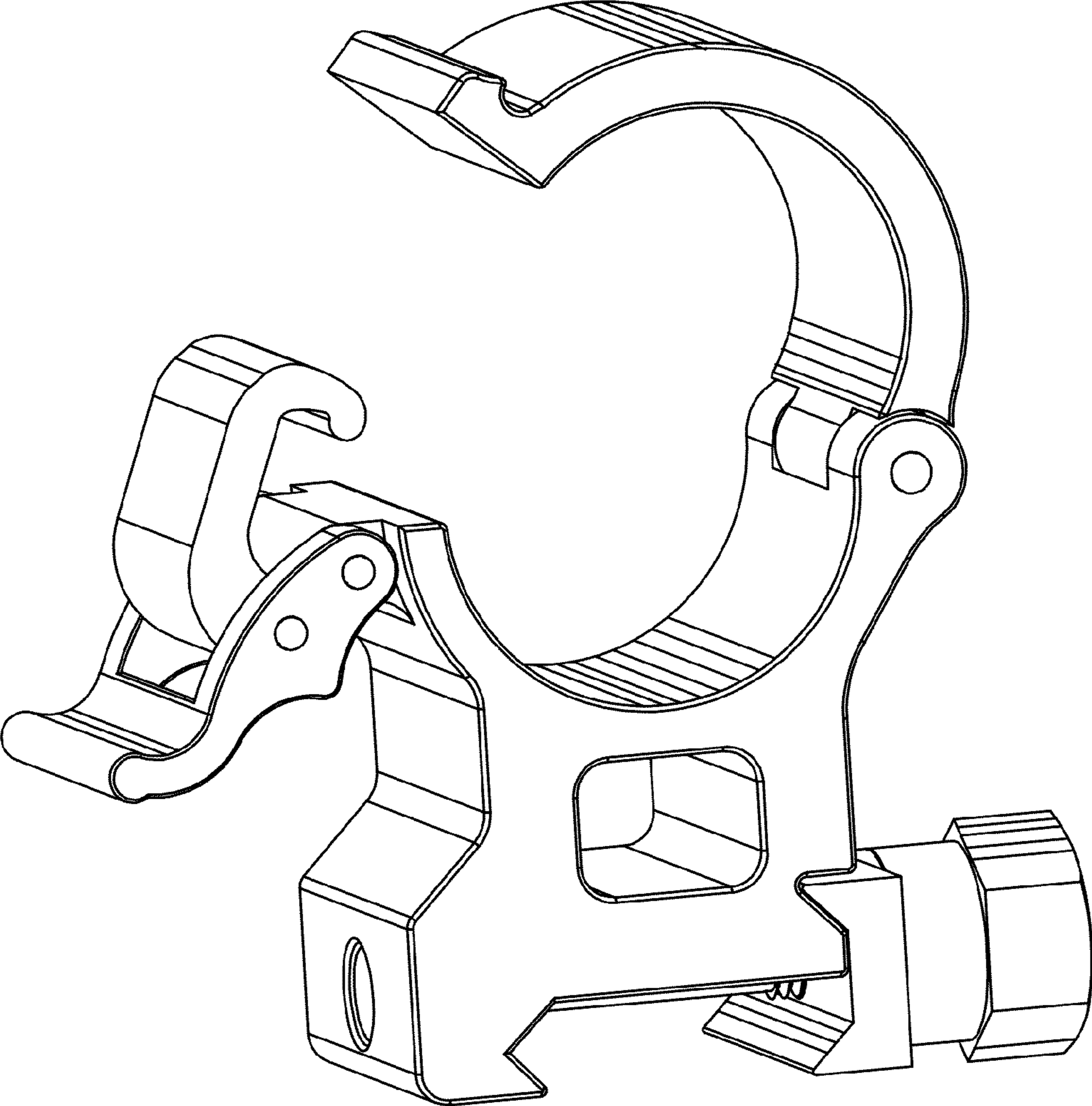


FIG. 7



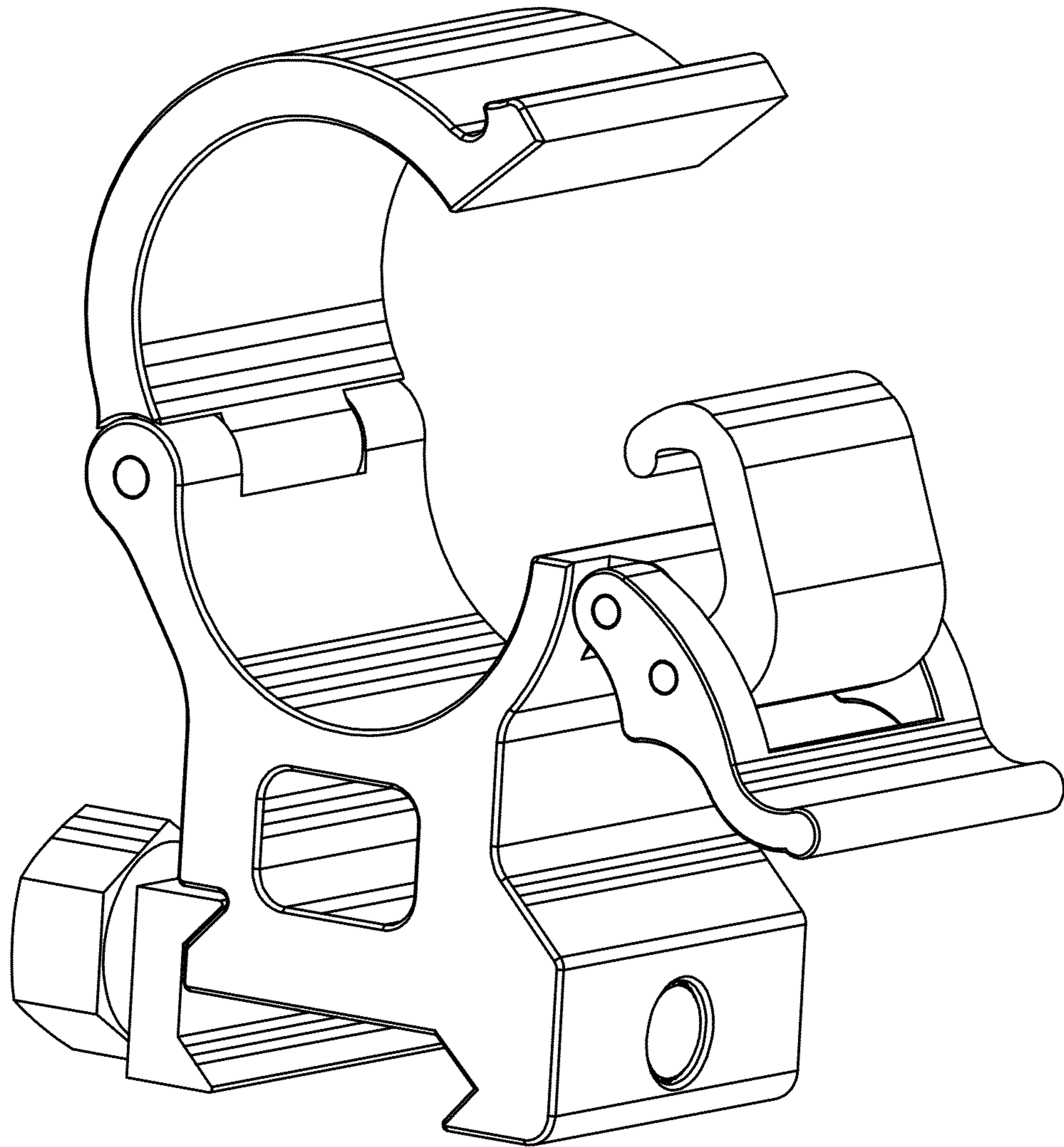


FIG. 8

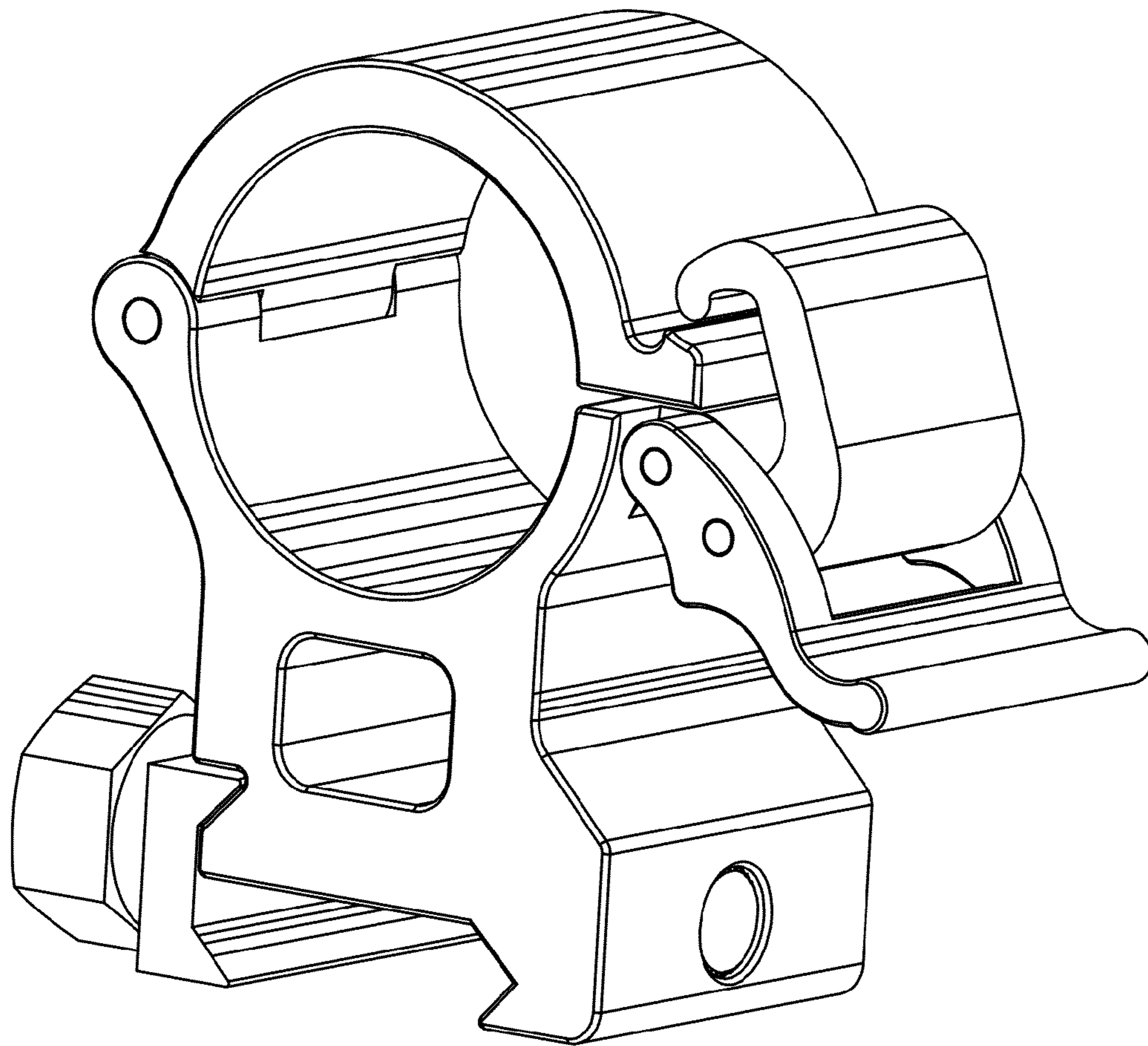


FIG. 9

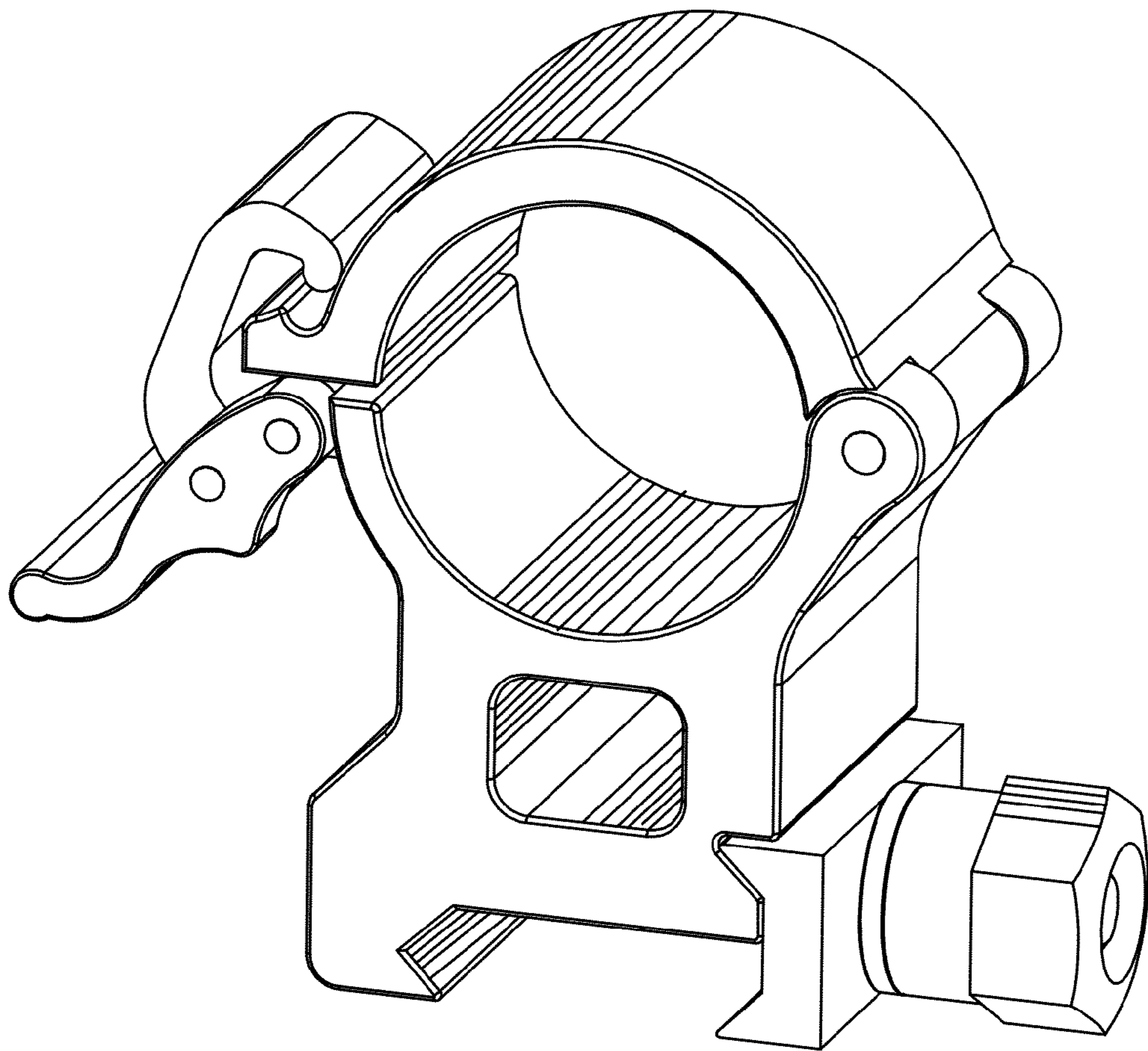


FIG. 10

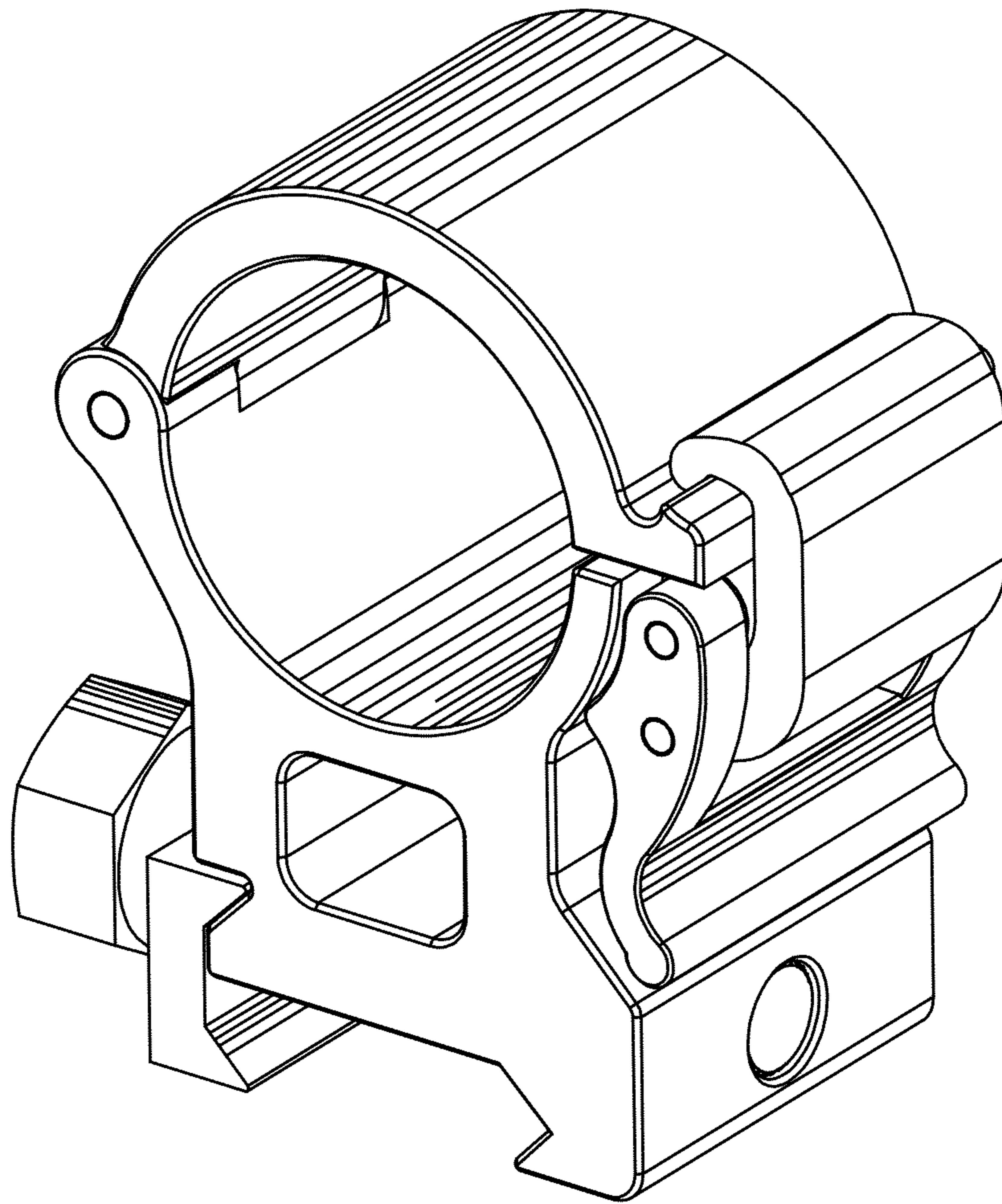


FIG. 11



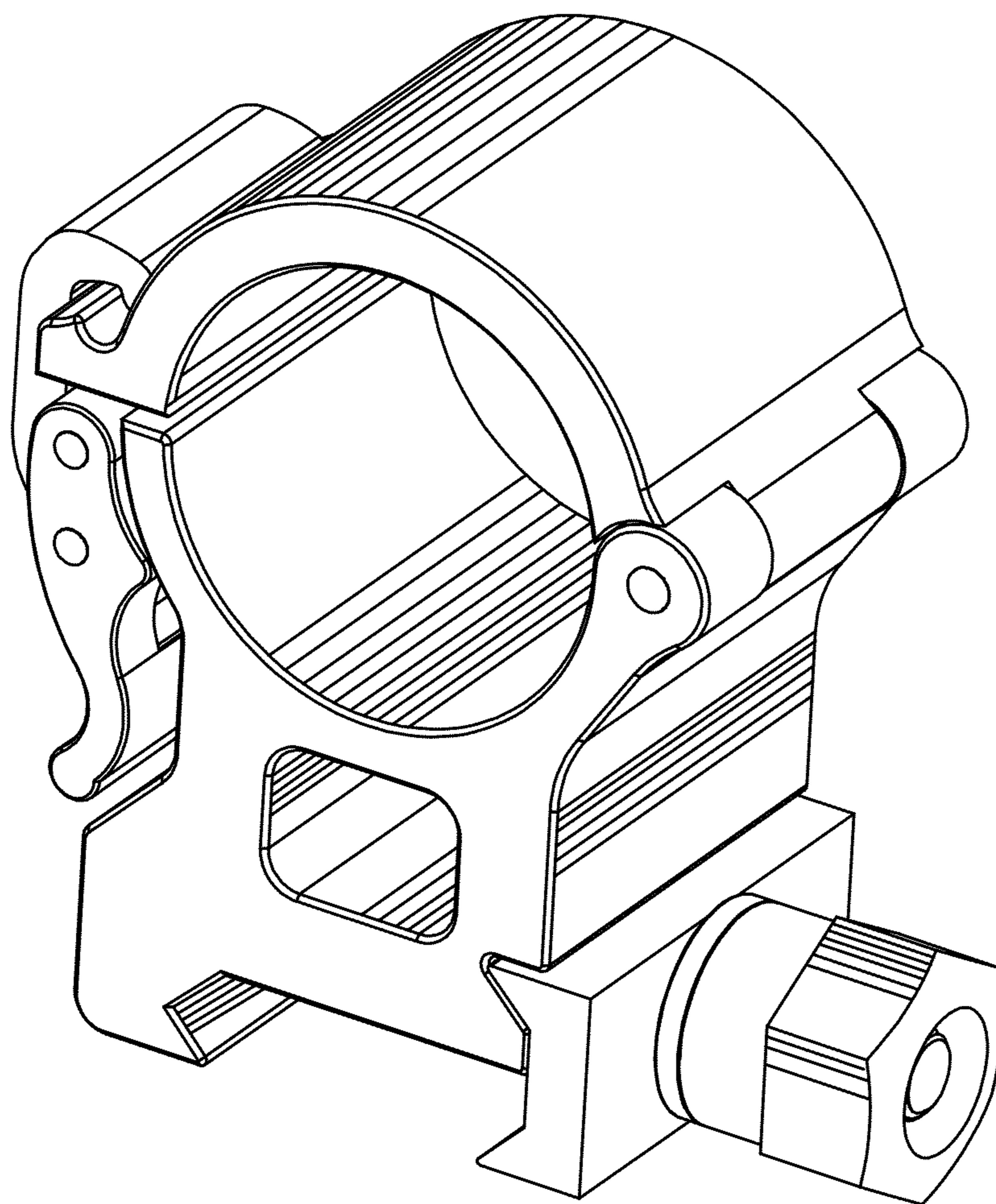


FIG. 12