



US00D685051S

(12) **United States Design Patent**
Melville

(10) **Patent No.:** **US D685,051 S**

(45) **Date of Patent:** **** Jun. 25, 2013**

(54) **WEAPON RETENTION SYSTEM**

(75) Inventor: **Toby J. Melville**, San Antonio, TX (US)

(73) Assignee: **Bad Company Tactical, Inc.**, San Antonio, TX (US)

(**) Term: **14 Years**

(21) Appl. No.: **29/395,396**

(22) Filed: **Jan. 12, 2012**

(51) **LOC (9) Cl.** **22-01**

(52) **U.S. Cl.**
USPC **D22/108**

(58) **Field of Classification Search**
USPC D22/108; D3/222-223; 224/191-193,
224/238, 243, 911-912, 901.4, 666, 676,
224/668

See application file for complete search history.

(56) **References Cited**

U.S. PATENT DOCUMENTS

4,277,007	A *	7/1981	Bianchi et al.	224/193
6,149,042	A *	11/2000	Rassias	224/661
6,267,279	B1 *	7/2001	Matthews	224/243
6,755,331	B2 *	6/2004	Rassias	224/243
6,854,626	B2 *	2/2005	Liao	224/244
D592,850	S *	5/2009	Shen	D3/222
D603,159	S *	11/2009	Zusman	D3/222
7,644,845	B2 *	1/2010	Lowe	224/243
8,215,525	B2 *	7/2012	Rassias	224/245
8,297,562	B1 *	10/2012	Yeates et al.	248/118.3
2005/0224537	A1 *	10/2005	Rassias	224/243

2007/0170215 A1* 7/2007 Evans et al. 224/192

* cited by examiner

Primary Examiner — Michael A Pratt

(74) *Attorney, Agent, or Firm* — Christopher L. Makay

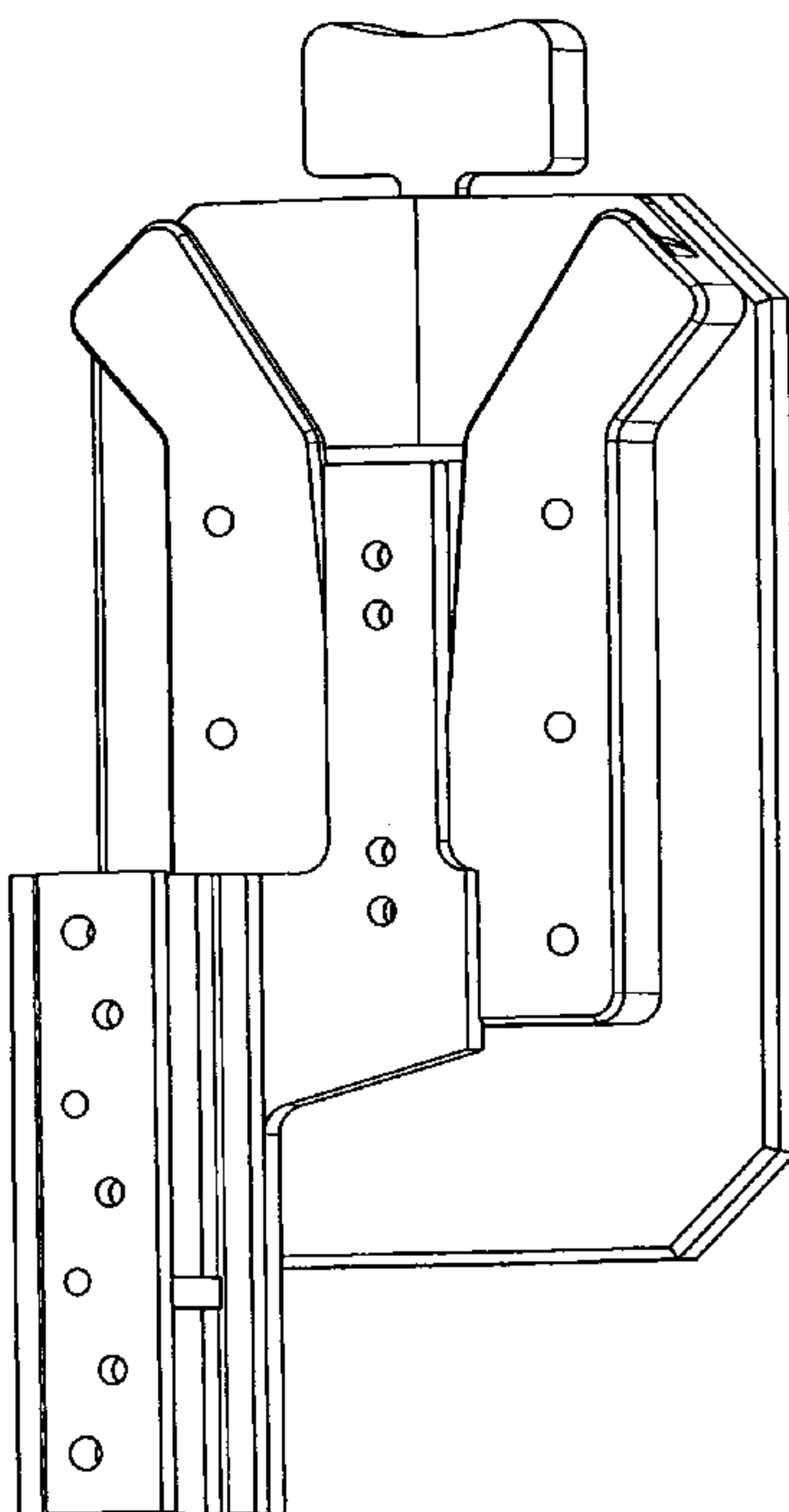
(57) **CLAIM**

The ornamental design for a weapon retention system, as shown and described.

DESCRIPTION

FIGS. 1 and 2 are perspective views illustrating a left side of the weapon retention system according to my new design; FIG. 3 is a perspective view illustrating a right side thereof; FIG. 4 is a left side view thereof; FIG. 5 is a right side view thereof; FIG. 6 is a top view thereof; FIG. 7 is a bottom view thereof; FIG. 8 is a front view thereof; FIG. 9 is a rear view thereof; FIG. 10 is a left side view illustrating a base plate assembly thereof; FIG. 11 is a top view illustrating the base plate assembly thereof; FIG. 12 is a left side view illustrating a base plate thereof; FIG. 13 is a perspective view illustrating a left side of a rail interface assembly thereof; FIG. 14 is a perspective view illustrating a right side of the rail interface assembly thereof; FIG. 15 is a perspective view illustrating a plunger thereof; FIG. 16 is a front view illustrating the plunger thereof; and, FIG. 17 is a rear view illustrating the plunger thereof.

1 Claim, 17 Drawing Sheets



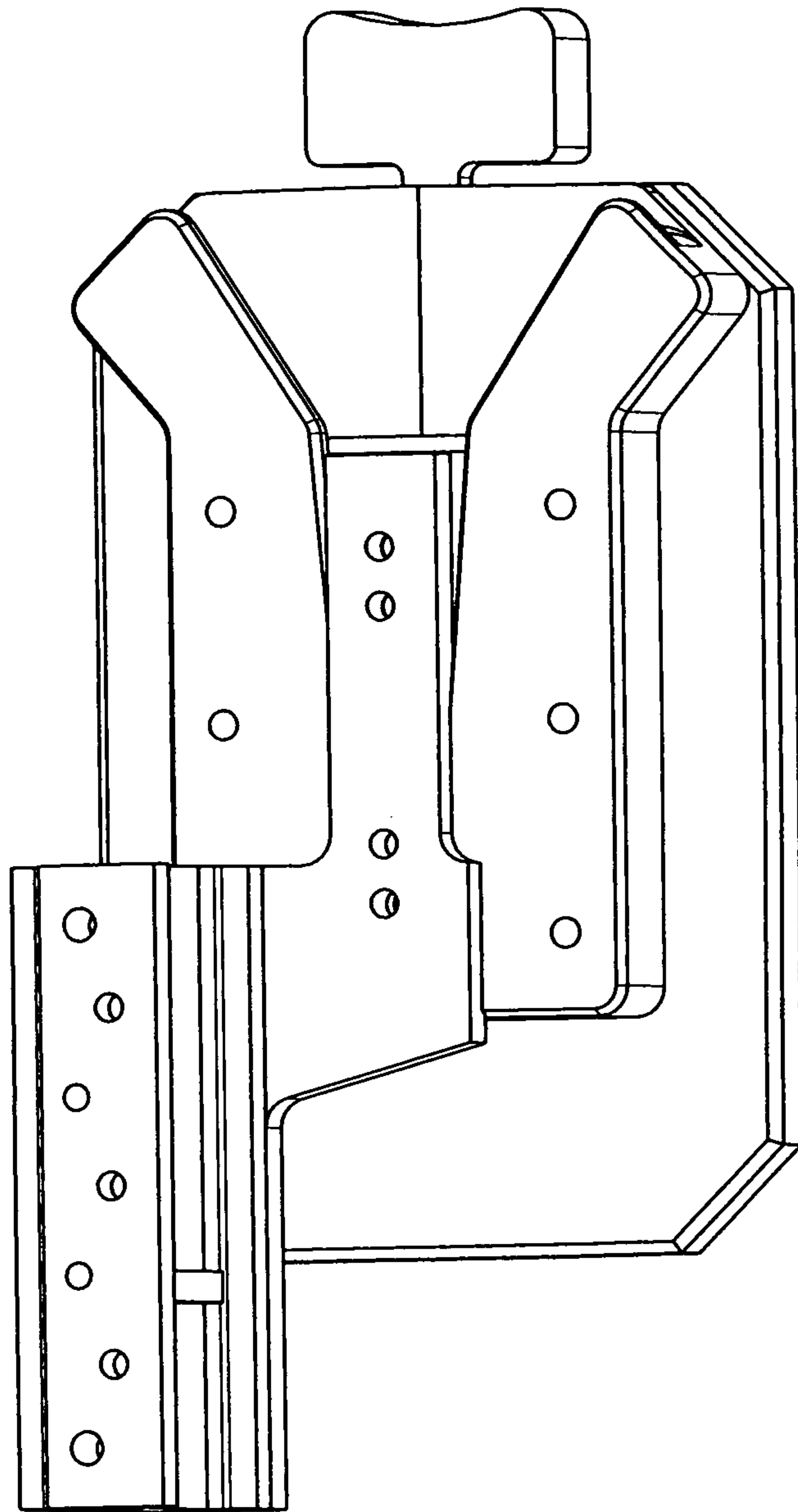


FIGURE 1

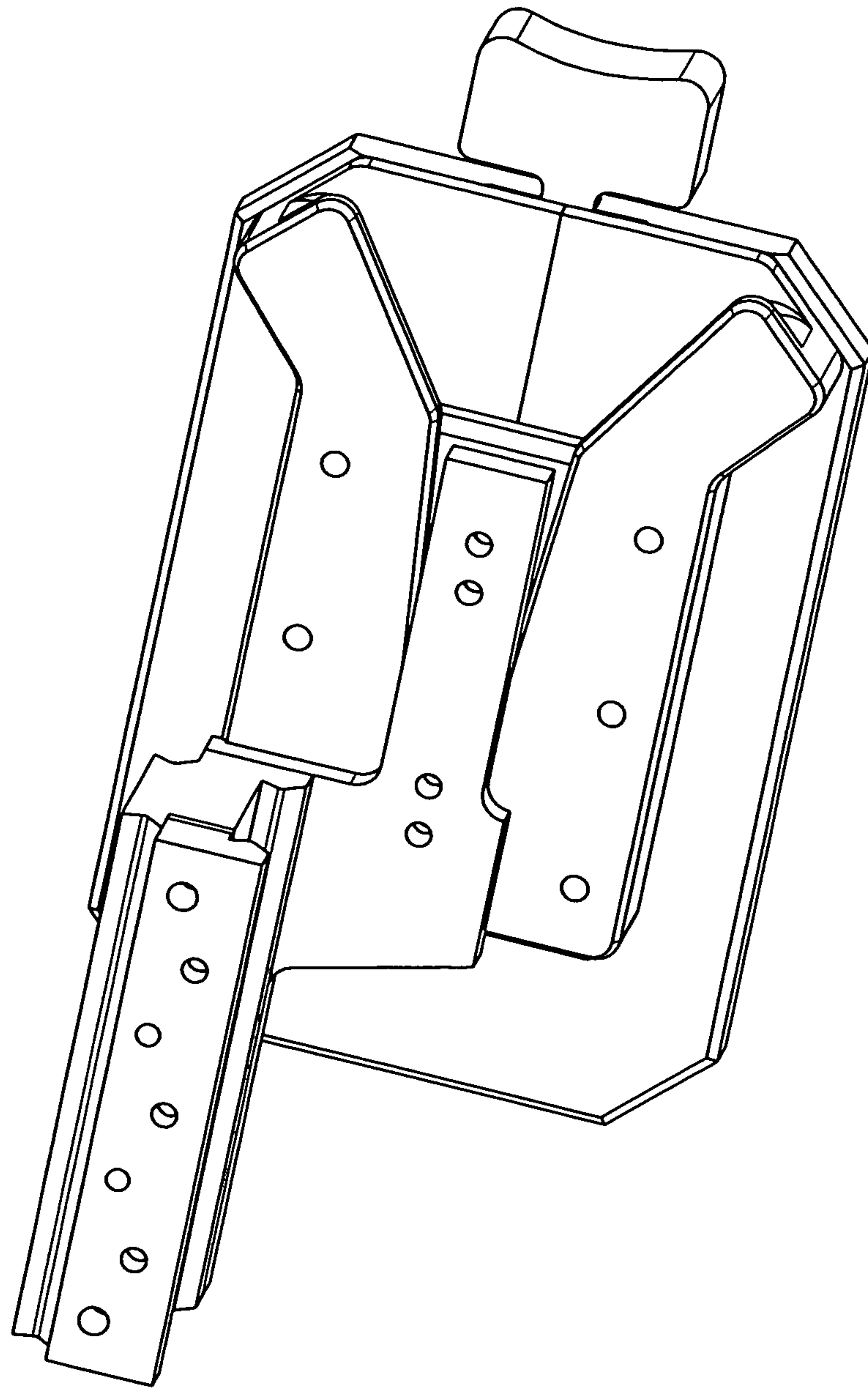


FIGURE 2

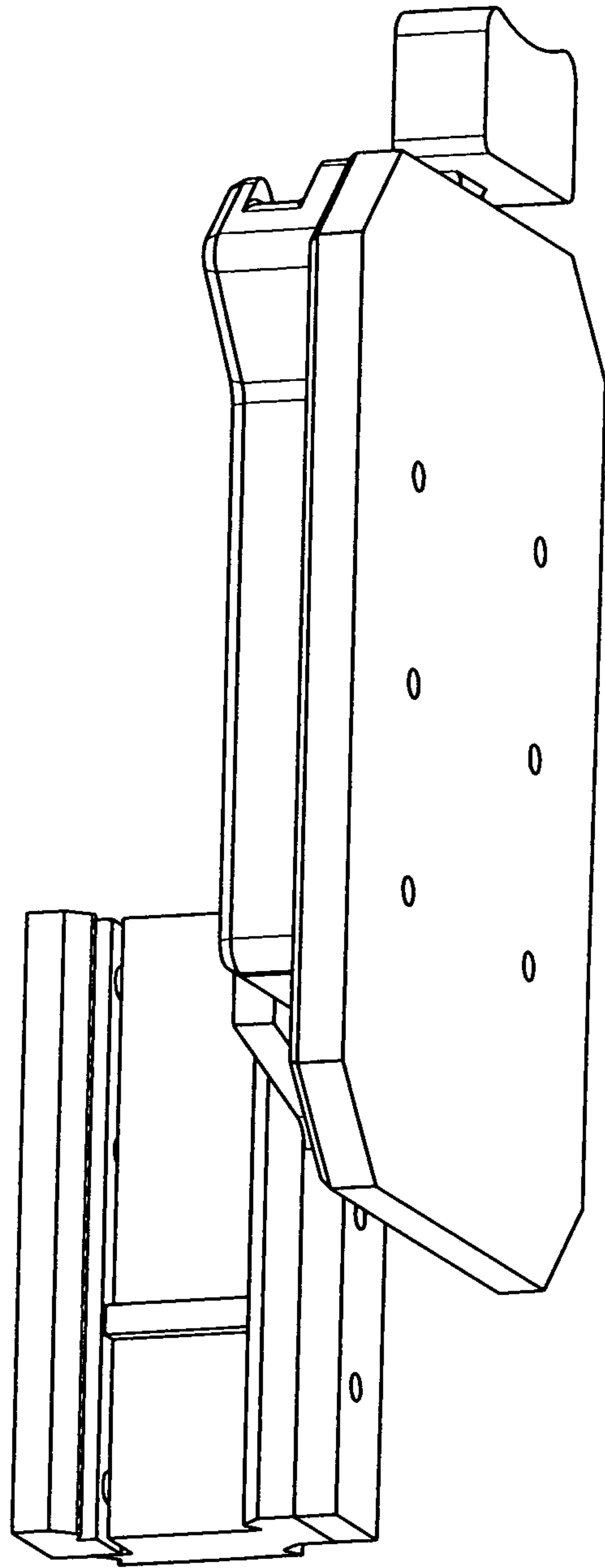


FIGURE 3

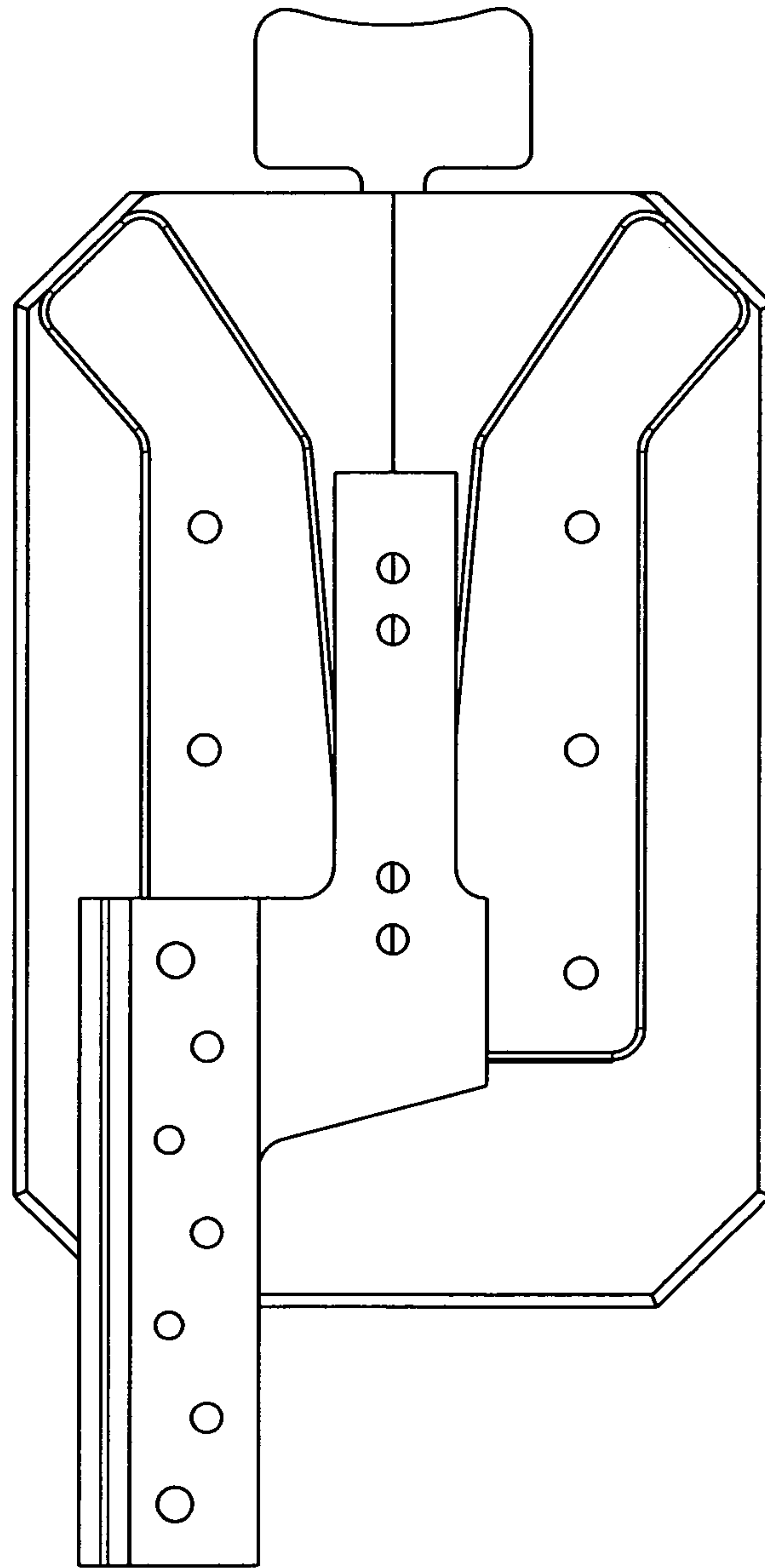


FIGURE 4

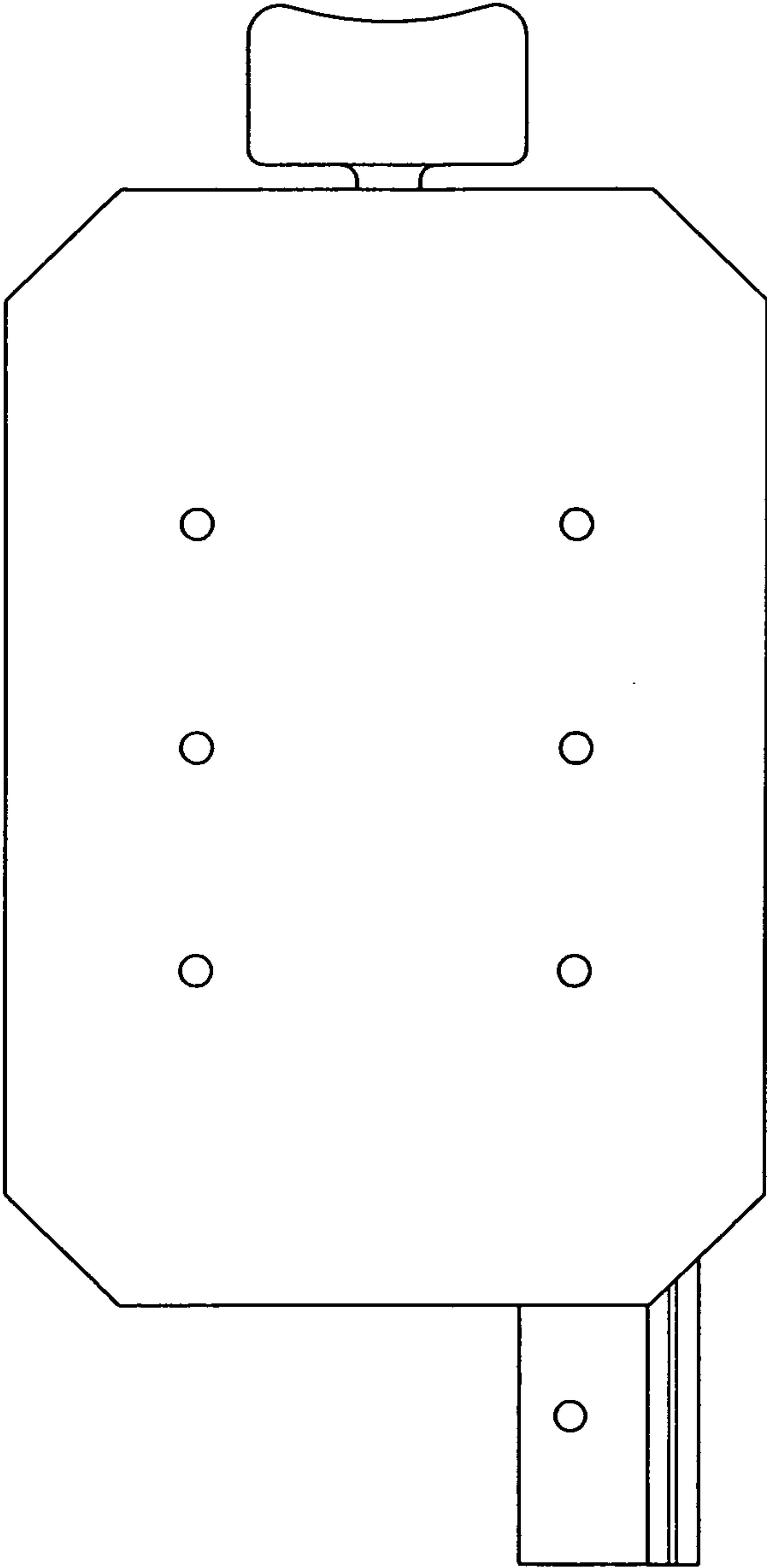


FIGURE 5

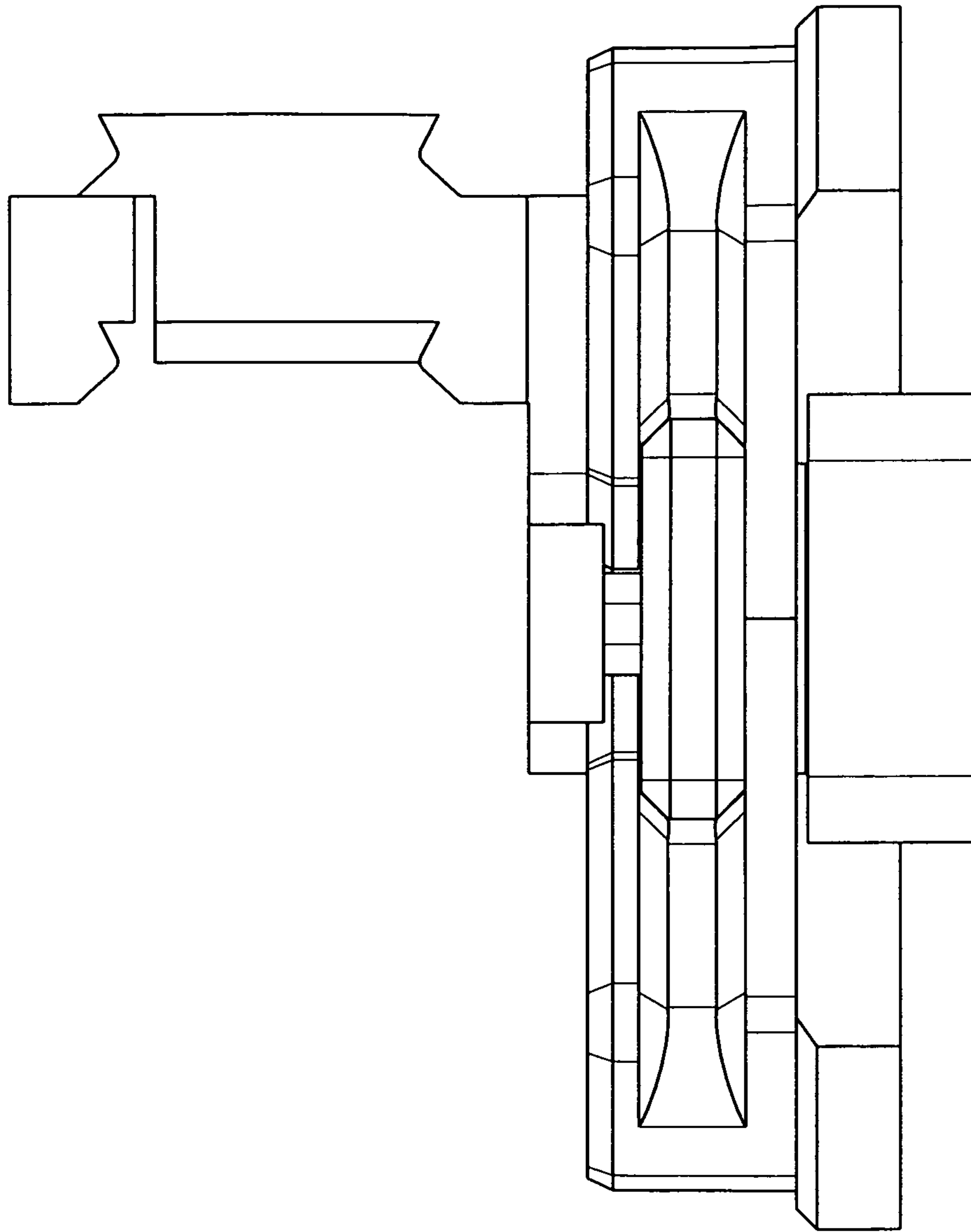


FIGURE 6

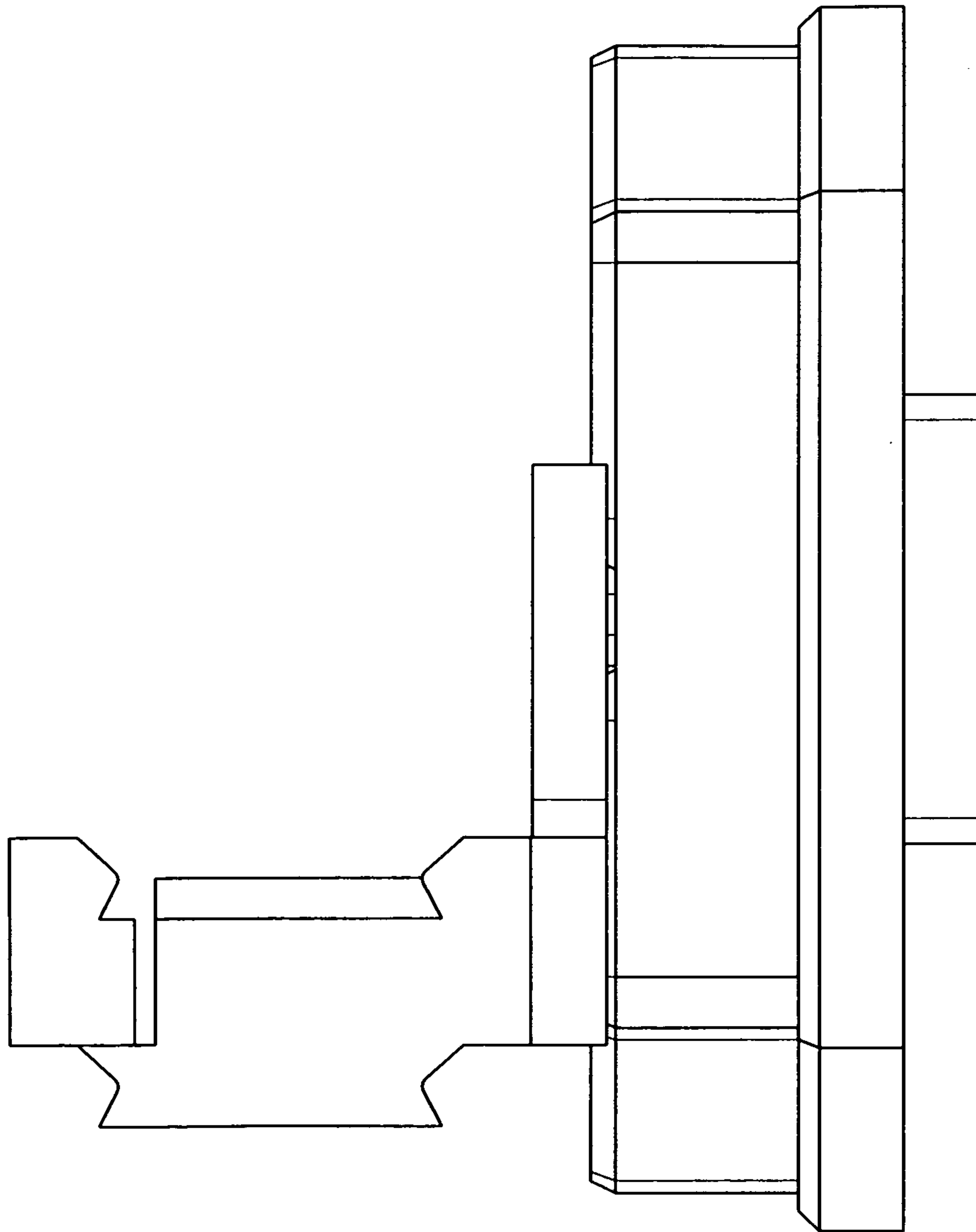


FIGURE 7

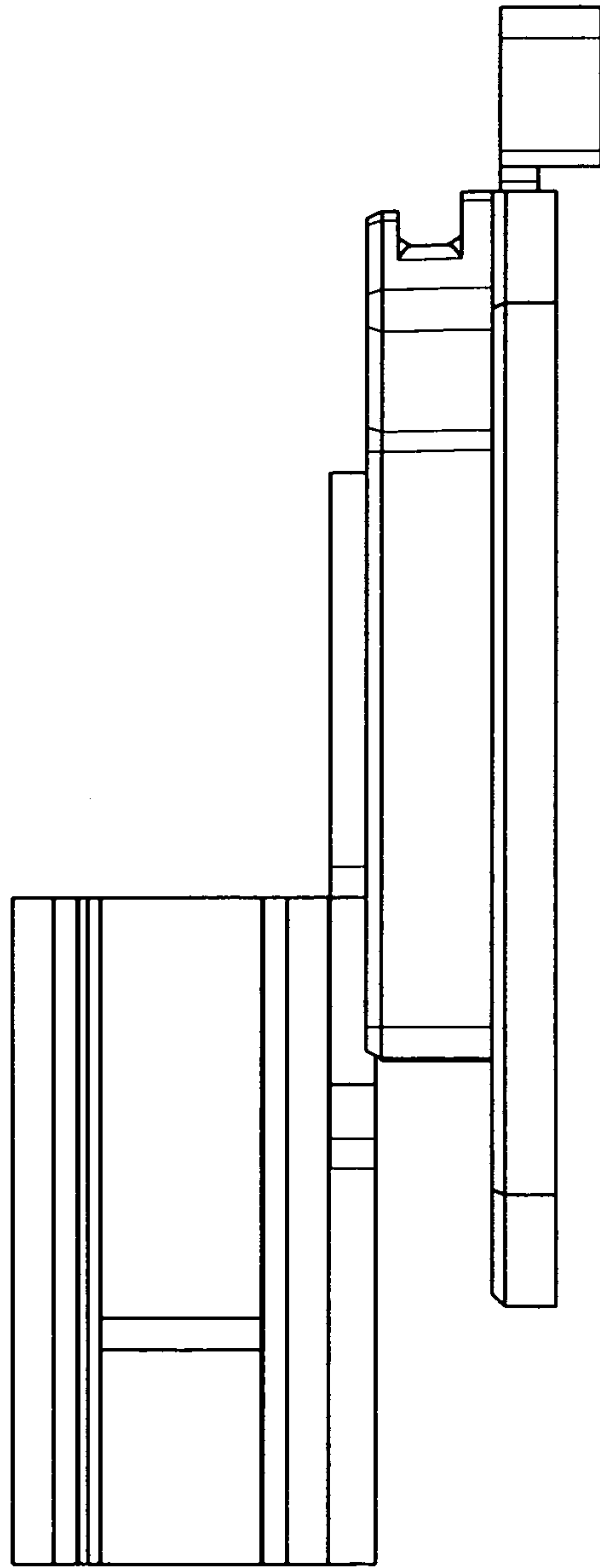


FIGURE 8

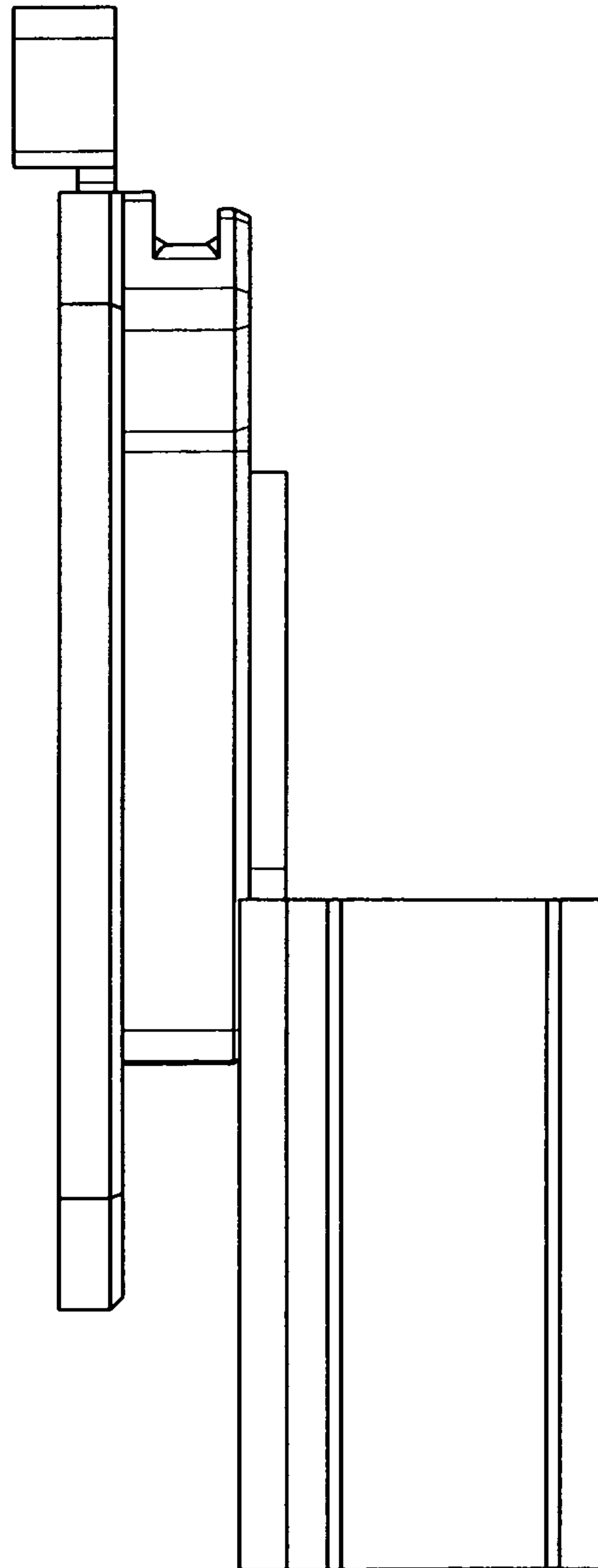


FIGURE 9

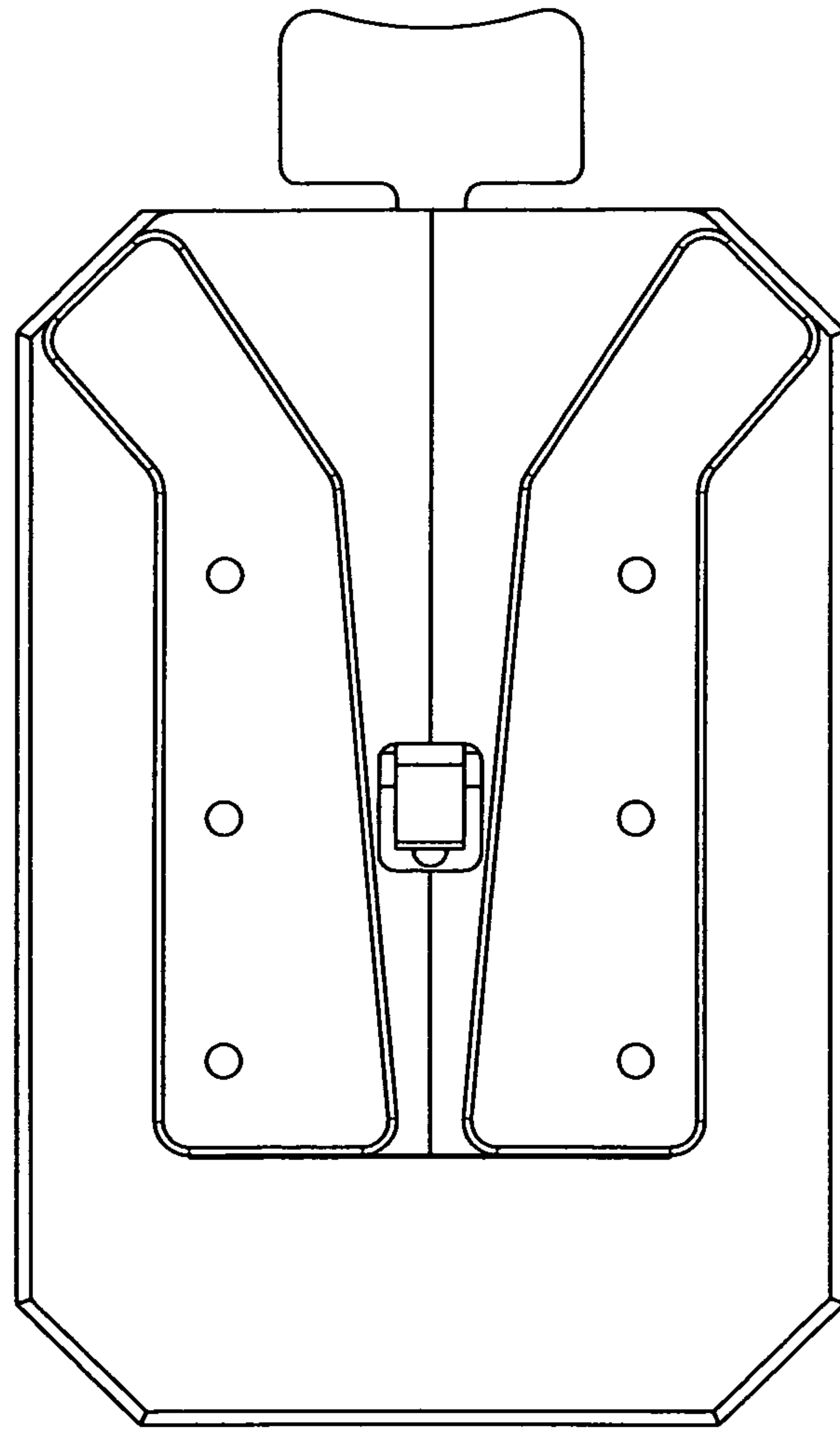


FIGURE 10

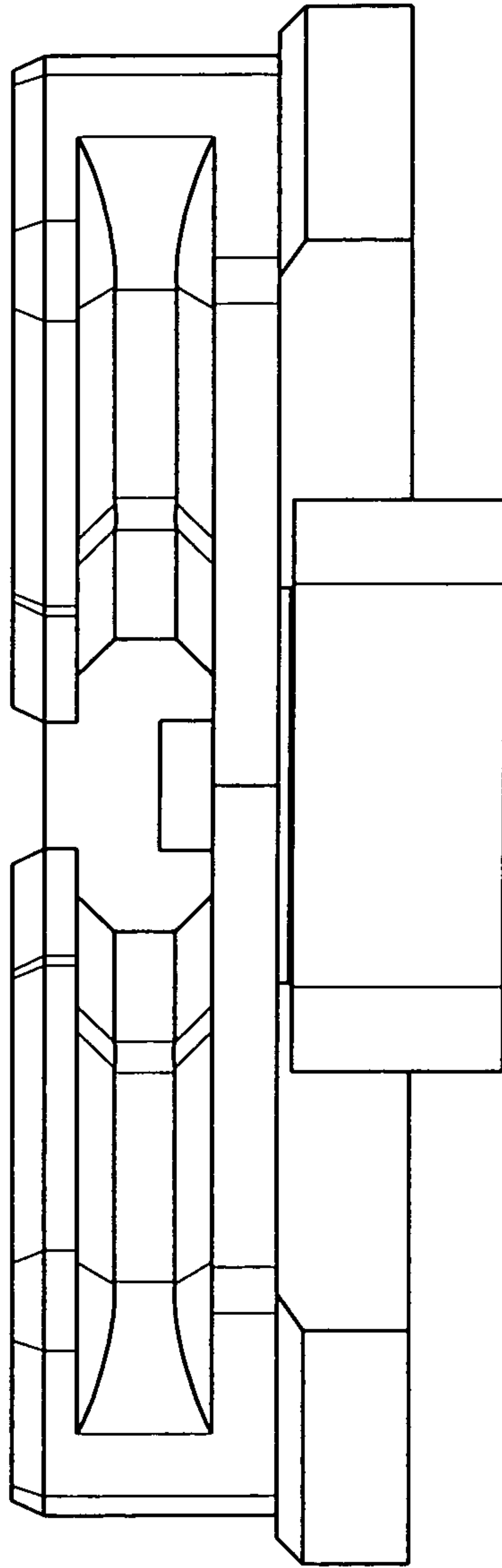


FIGURE 11

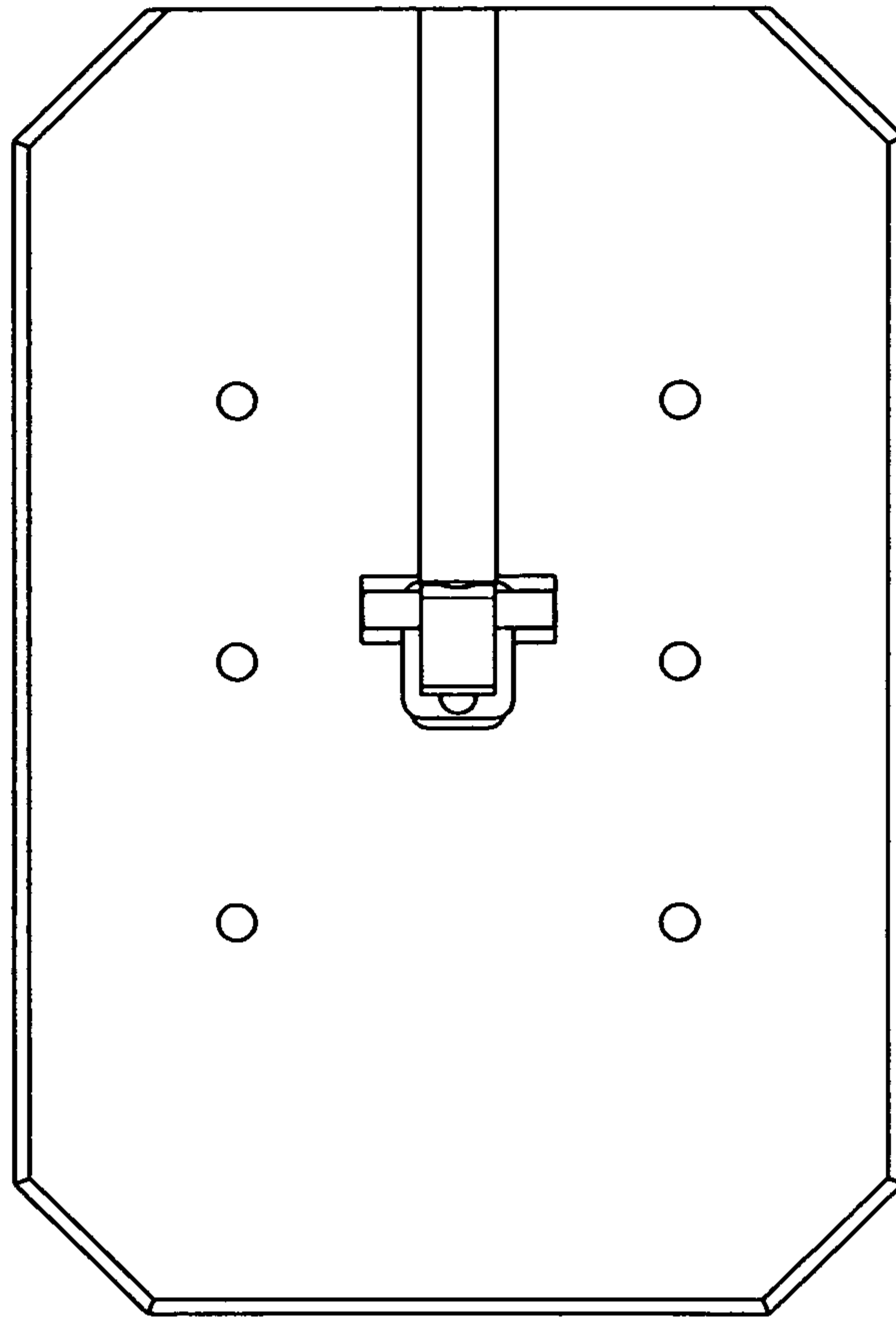


FIGURE 12

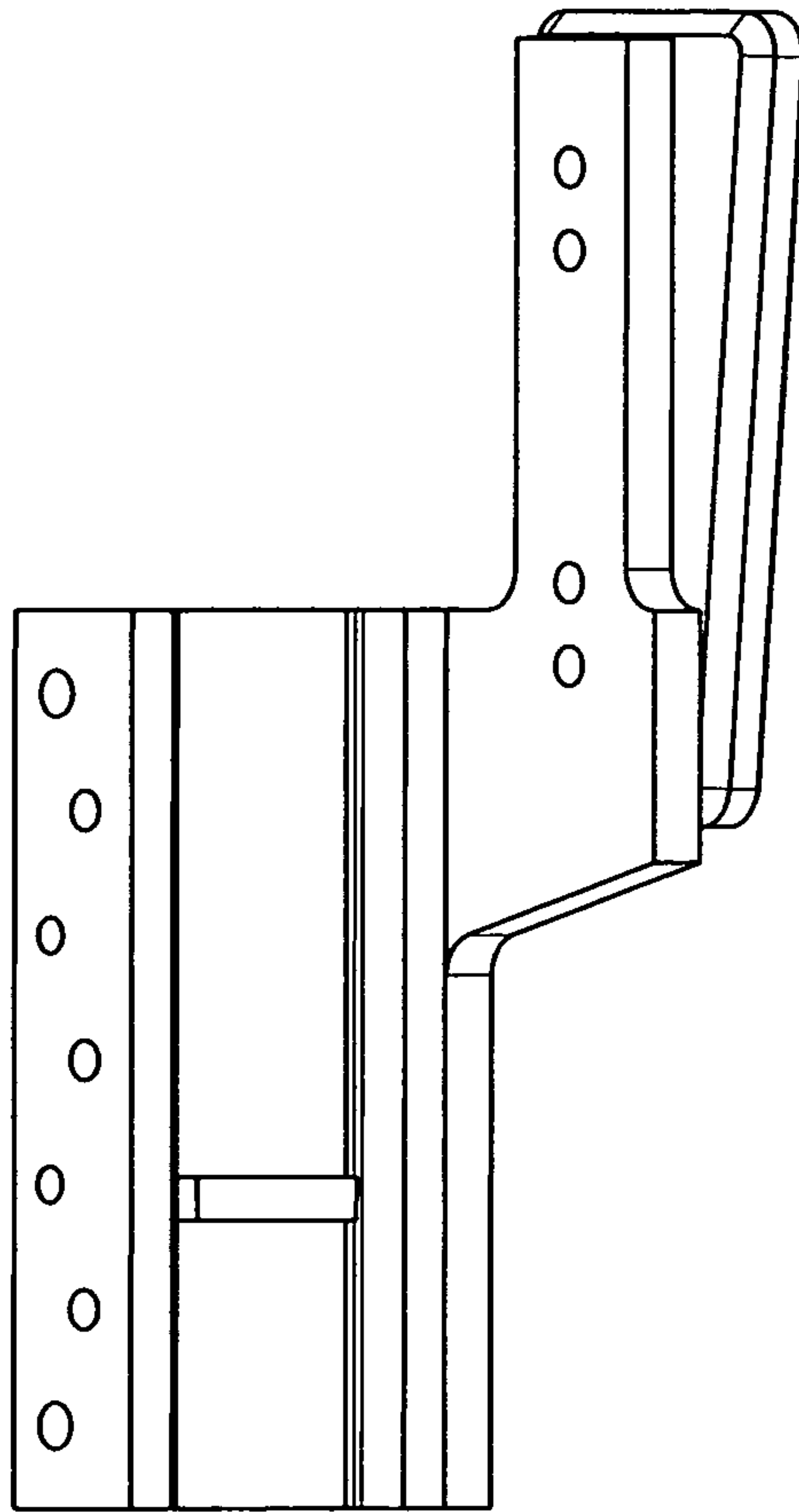


FIGURE 13

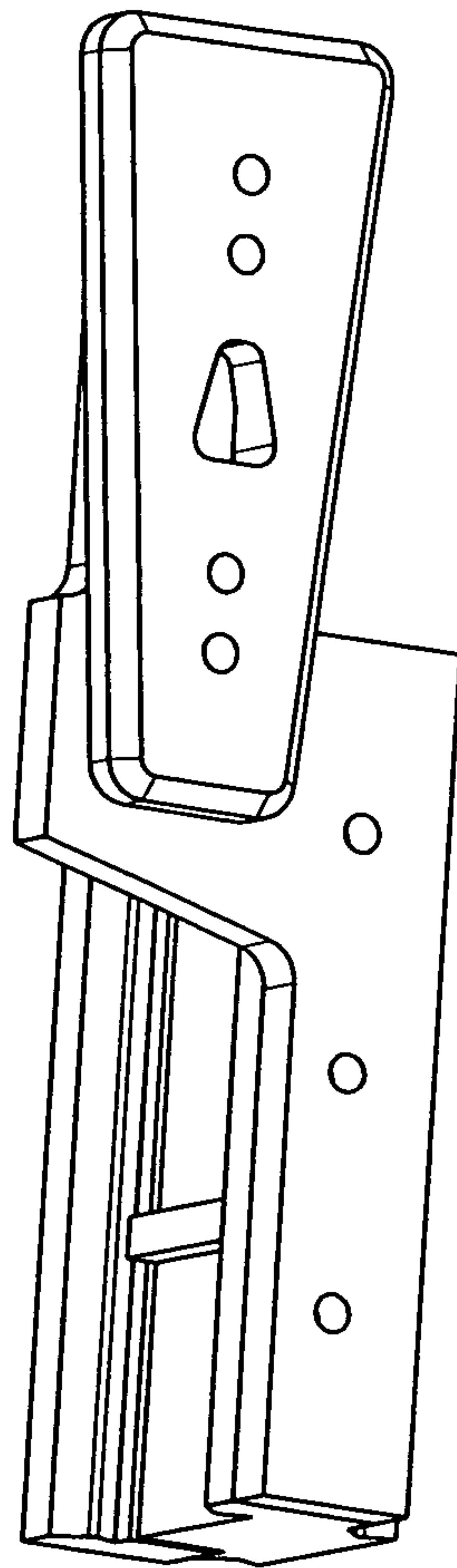


FIGURE 14

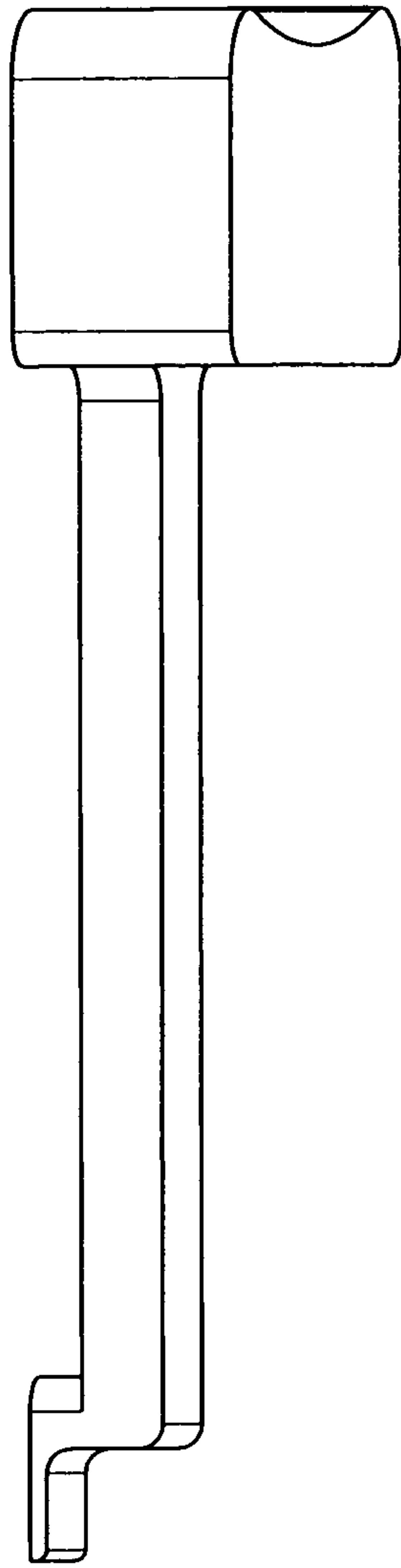


FIGURE 15

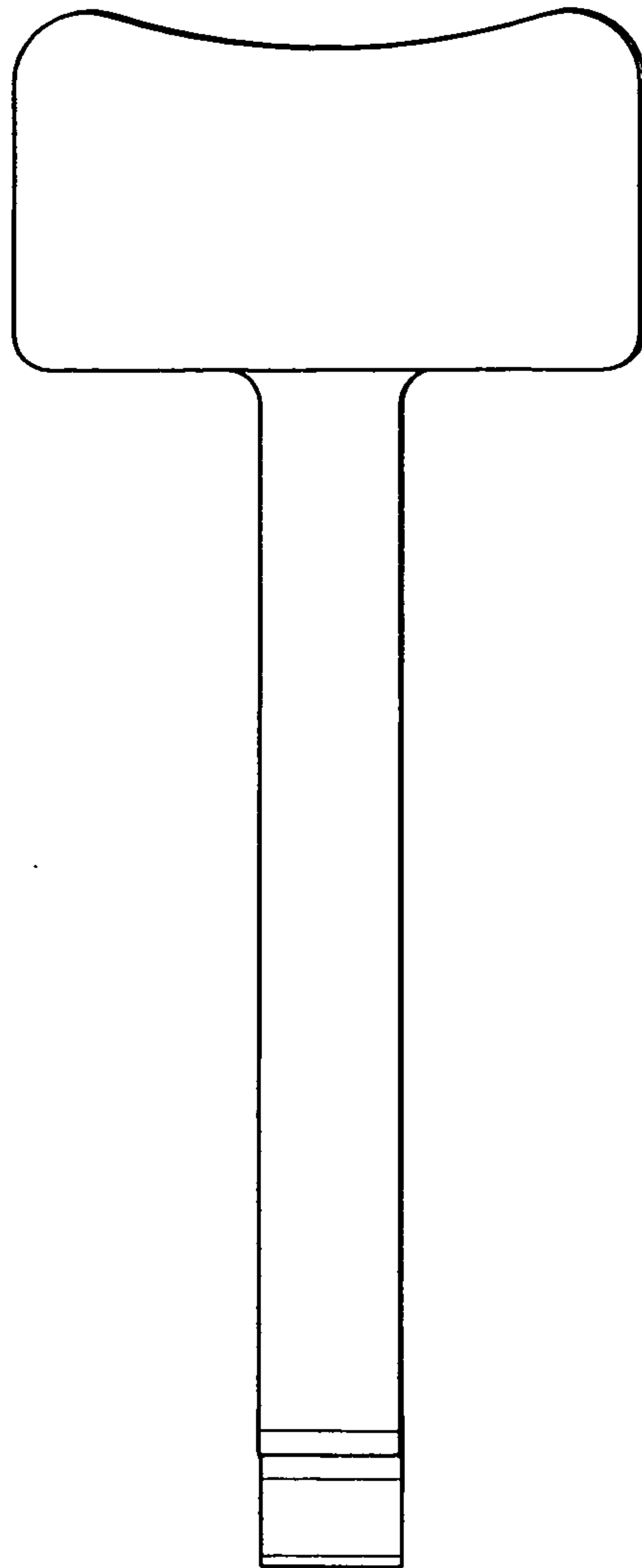


FIGURE 16

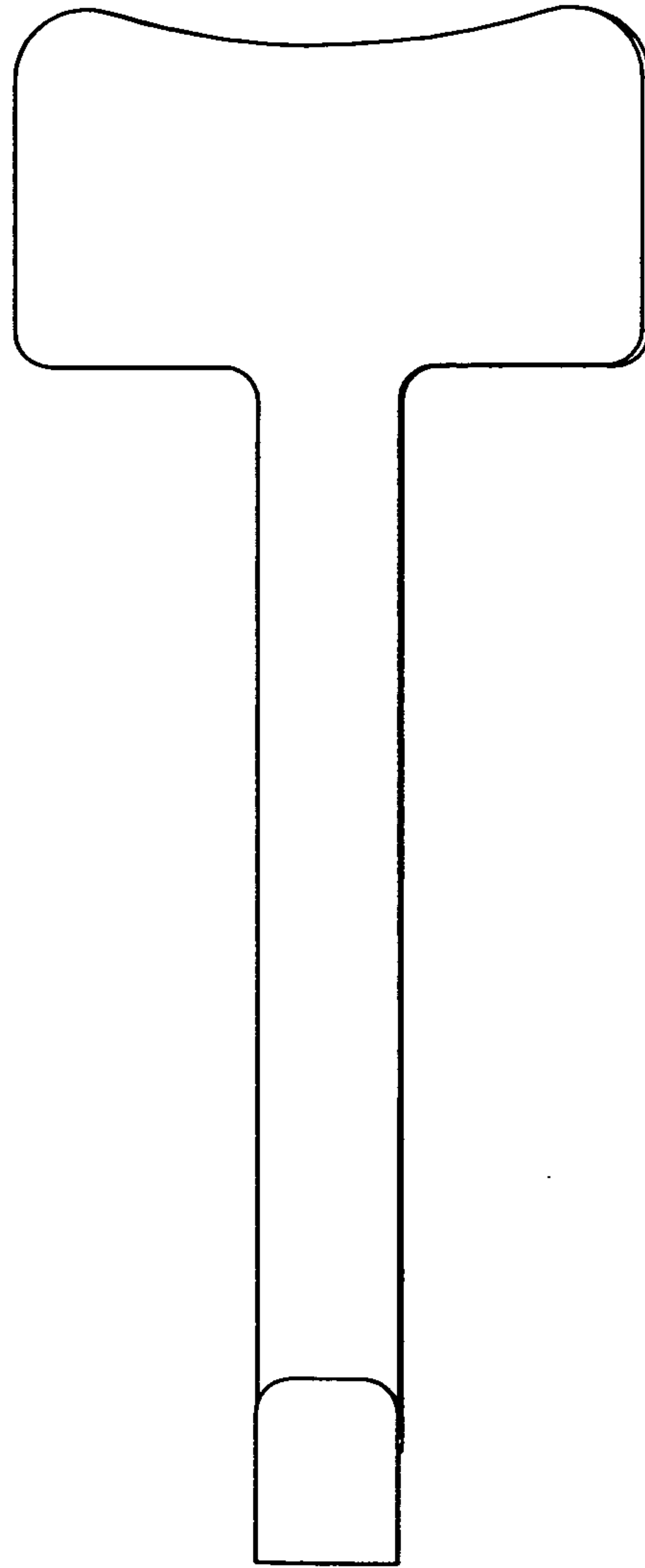


FIGURE 17