



US00D685047S

(12) **United States Design Patent**
Alexander

(10) **Patent No.:** **US D685,047 S**
(45) **Date of Patent:** **** Jun. 25, 2013**

- (54) **INLINE SKATE WHEEL**
- (75) Inventor: **Garnet Alexander**, Beaconsfield (CA)
- (73) Assignee: **Bauer Hockey, Inc.**, Exeter, NH (US)
- (**) Term: **14 Years**
- (21) Appl. No.: **29/404,313**
- (22) Filed: **Oct. 19, 2011**
- (51) **LOC (9) Cl.** **21-02**
- (52) **U.S. Cl.**
USPC **D21/779**
- (58) **Field of Classification Search**
USPC D21/563, 761, 762, 765, 771, 779;
D12/204-213; 280/11.19, 11.215,
280/11.221-11.26, 11.28, 11.32, 87.042,
280/809, 816; 152/165; 301/5.1, 5.7,
301/5.301-5.309
See application file for complete search history.

5,829,758	A *	11/1998	Bott	280/11.32
5,853,226	A *	12/1998	Lee	301/5.309
6,012,727	A *	1/2000	Chang	280/11.28
D433,088	S *	10/2000	Galy	D21/779
D448,826	S *	10/2001	Galy	D21/779
6,322,154	B1 *	11/2001	Alderman et al.	301/5.303
D475,109	S *	5/2003	Washburn	D21/761
D489,108	S *	4/2004	Washburn	D21/761
7,311,318	B1 *	12/2007	Funk	280/87.042

* cited by examiner

Primary Examiner — Cynthia M Chin

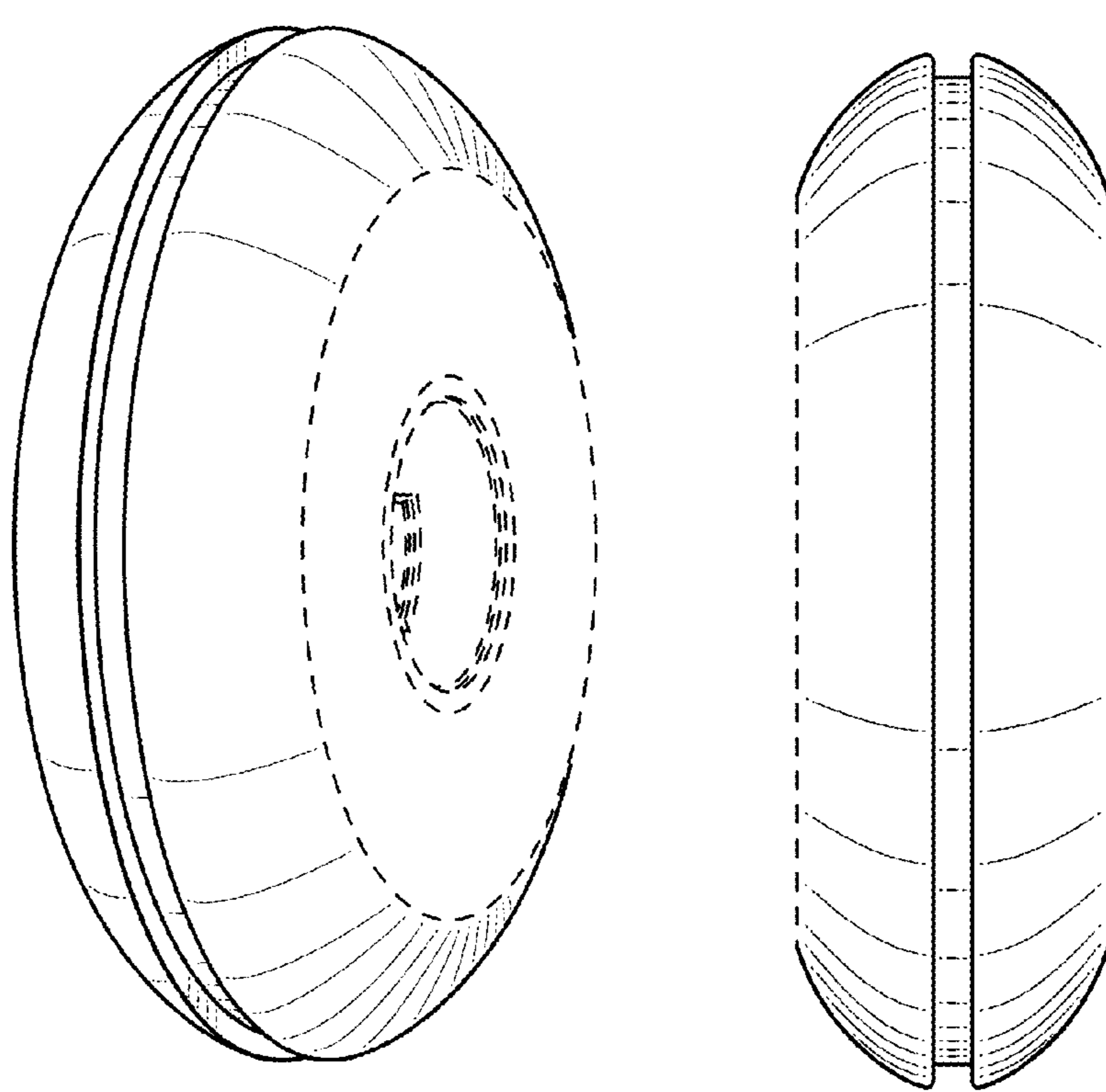
(57) **CLAIM**
I claim the ornamental design for an inline skate wheel, as shown and described.

DESCRIPTION

FIG. 1 is a perspective view of an inline skate wheel according to a first embodiment of the present design;
 FIG. 2 is a front elevational view of the inline skate wheel of FIG. 1;
 FIG. 3 is a perspective view of an inline skate wheel according to a second embodiment of the present design; and,
 FIG. 4 is a front elevational view of the inline skate wheel of FIG. 3.
 The broken lines shown are included for the purpose of illustrating the unclaimed portions of the article and form no part of the claimed design.

1 Claim, 2 Drawing Sheets

- (56) **References Cited**
U.S. PATENT DOCUMENTS
1,489,197 A * 4/1924 Daverkosen et al. 280/11.19
2,448,222 A * 8/1948 Jones 301/5.1
D299,733 S * 2/1989 Taminich D21/779
5,310,250 A * 5/1994 Gonsior 301/5.303
5,411,320 A * 5/1995 Alderman et al. 301/5.302
D384,718 S * 10/1997 Lee D21/779
D391,331 S * 2/1998 Lee D21/779



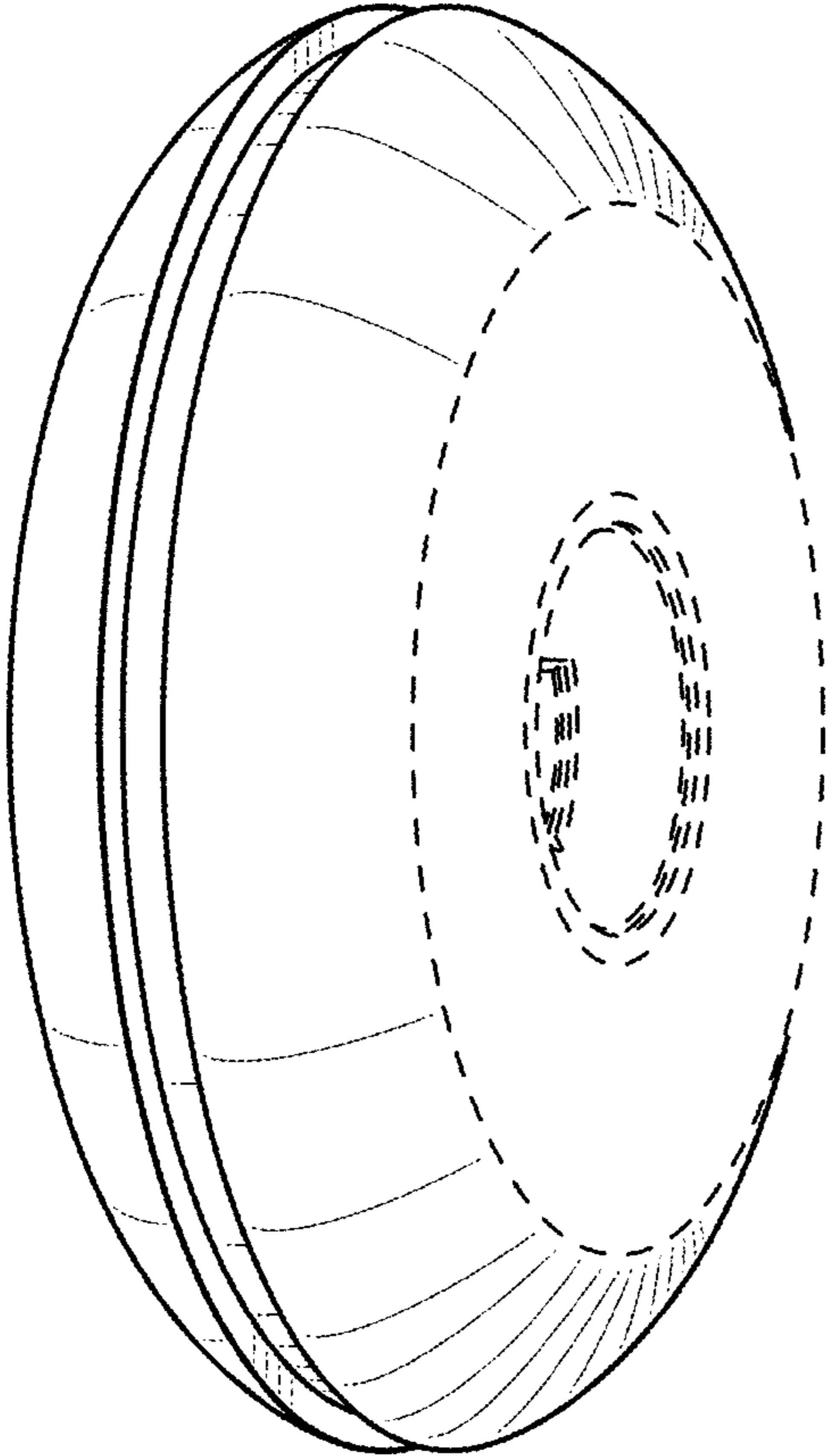


FIG. 1

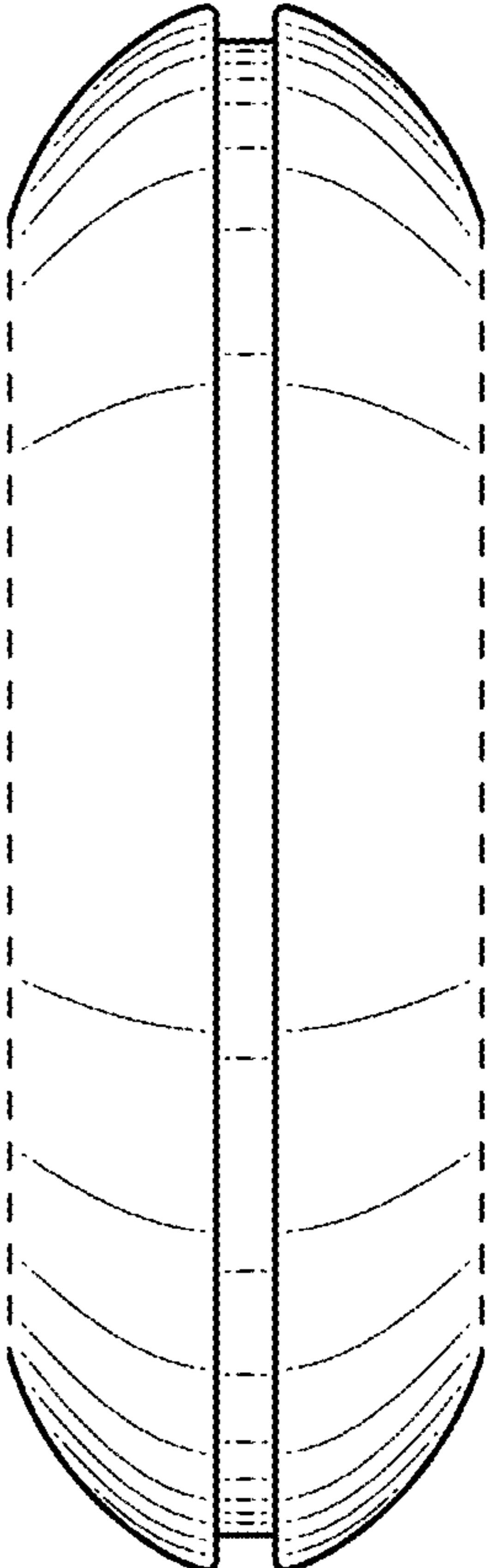


FIG. 2

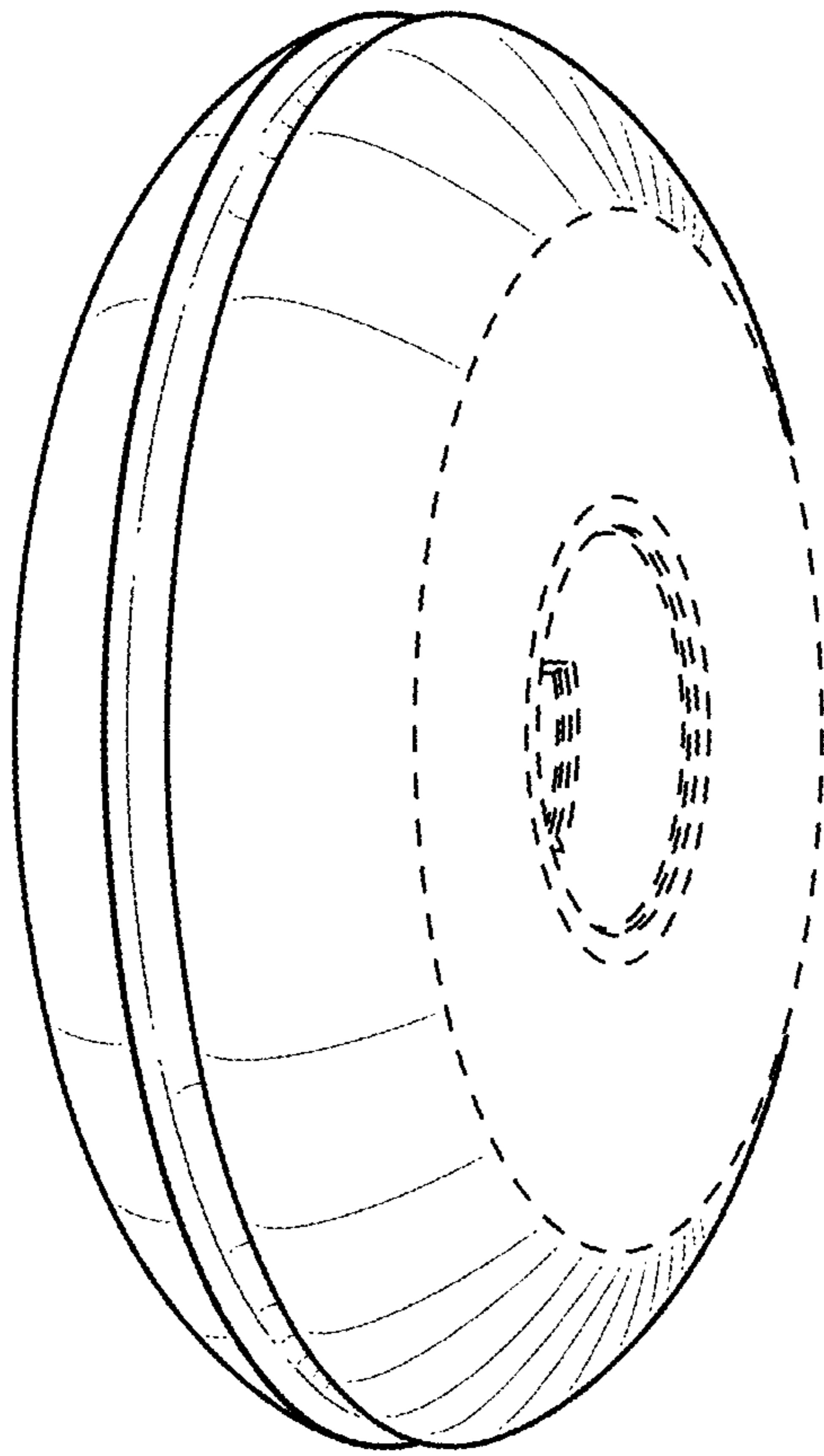


FIG. 3

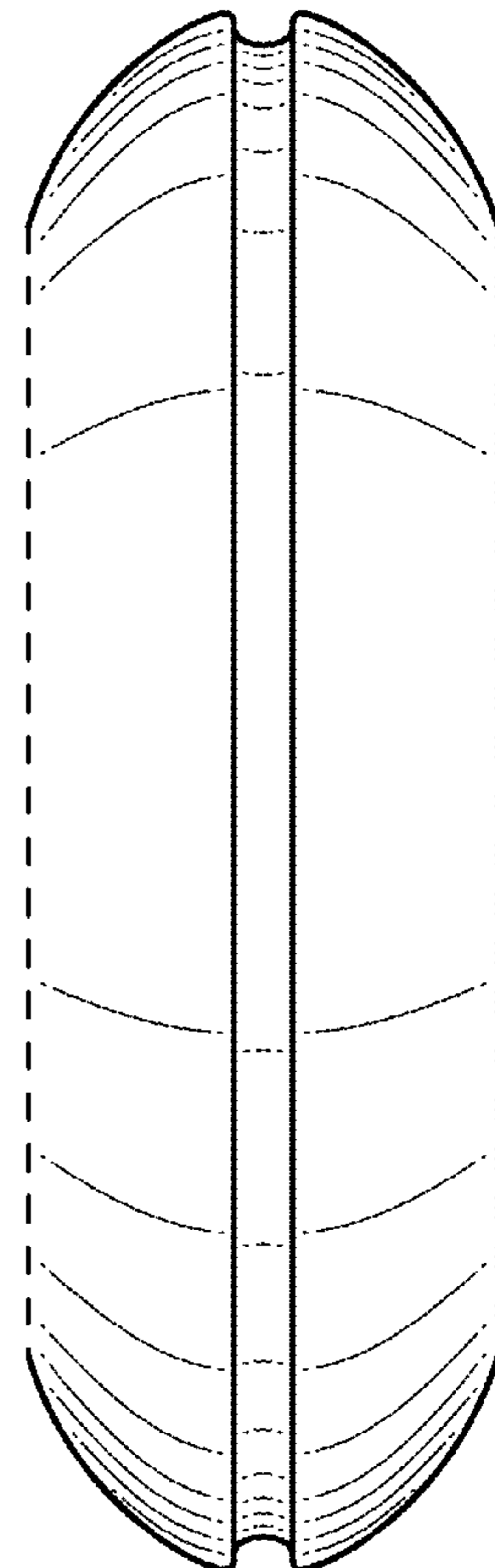


FIG. 4