

US00D685045S

(12) **United States Design Patent**  
**Oldknow et al.**

(10) **Patent No.:** **US D685,045 S**  
(45) **Date of Patent:** **\*\* Jun. 25, 2013**

(54) **GOLF CLUB HEAD**  
(71) Applicant: **NIKE, Inc.**, Beaverton, OR (US)  
(72) Inventors: **Andrew G. V. Oldknow**, Beaverton, OR (US); **Jason Cardani**, Portland, OR (US)  
(73) Assignee: **NIKE, Inc.**, Beaverton, OR (US)  
(\*\*) Term: **14 Years**

D602,103 S *	10/2009	Jorgensen et al.	.....	D21/747
D622,336 S *	8/2010	Kohno	.....	D21/747
D622,344 S	8/2010	Oldknow et al.		
D622,796 S *	8/2010	Kadoya	.....	D21/759
D631,110 S	1/2011	Kim et al.		
D639,881 S	6/2011	Breier et al.		
D641,446 S	7/2011	Engel et al.		
D643,491 S	8/2011	Stokke et al.		
D647,985 S *	11/2011	Atwell et al.	.....	D21/747
D649,211 S	11/2011	Jertson et al.		
D659,214 S	5/2012	Oldknow et al.		
D666,261 S	8/2012	Roach et al.		

(Continued)

(21) Appl. No.: **29/447,096**

(22) Filed: **Feb. 28, 2013**

(51) **LOC (9) Cl.** ..... **21-02**

(52) **U.S. Cl.**  
USPC ..... **D21/759**

(58) **Field of Classification Search**  
USPC ..... D21/747-751, 759; 473/324-331, 473/350

See application file for complete search history.

(56) **References Cited**

**U.S. PATENT DOCUMENTS**

D377,381 S	1/1997	Takahashi et al.	
D501,237 S	1/2005	Madore	
D505,466 S	5/2005	Lang et al.	
D510,115 S	9/2005	Lang et al.	
D518,539 S	4/2006	Cleveland et al.	
D529,114 S	9/2006	Madore	
D556,278 S	11/2007	Mahaffey et al.	
D562,423 S	2/2008	Foster et al.	
D566,803 S	4/2008	Foster et al.	
D574,047 S *	7/2008	Kawami	..... D21/759
D580,503 S *	11/2008	Roach et al.	..... D21/747
D591,373 S *	4/2009	Foster et al.	..... D21/747
D597,616 S *	8/2009	Ines et al.	..... D21/747
D597,617 S *	8/2009	Ines et al.	..... D21/747
D597,618 S *	8/2009	Ines et al.	..... D21/747
D598,060 S *	8/2009	Barez et al.	..... D21/747
D598,061 S *	8/2009	Barez et al.	..... D21/747
D601,651 S	10/2009	Jorgensen et al.	

**OTHER PUBLICATIONS**

Edwin Watts Golf Catalog, Holiday 2004, pp. 11 and 87, published Holiday 2004.

(Continued)

*Primary Examiner* — Mitchell Siegel  
(74) *Attorney, Agent, or Firm* — Banner & Witcoff, Ltd.

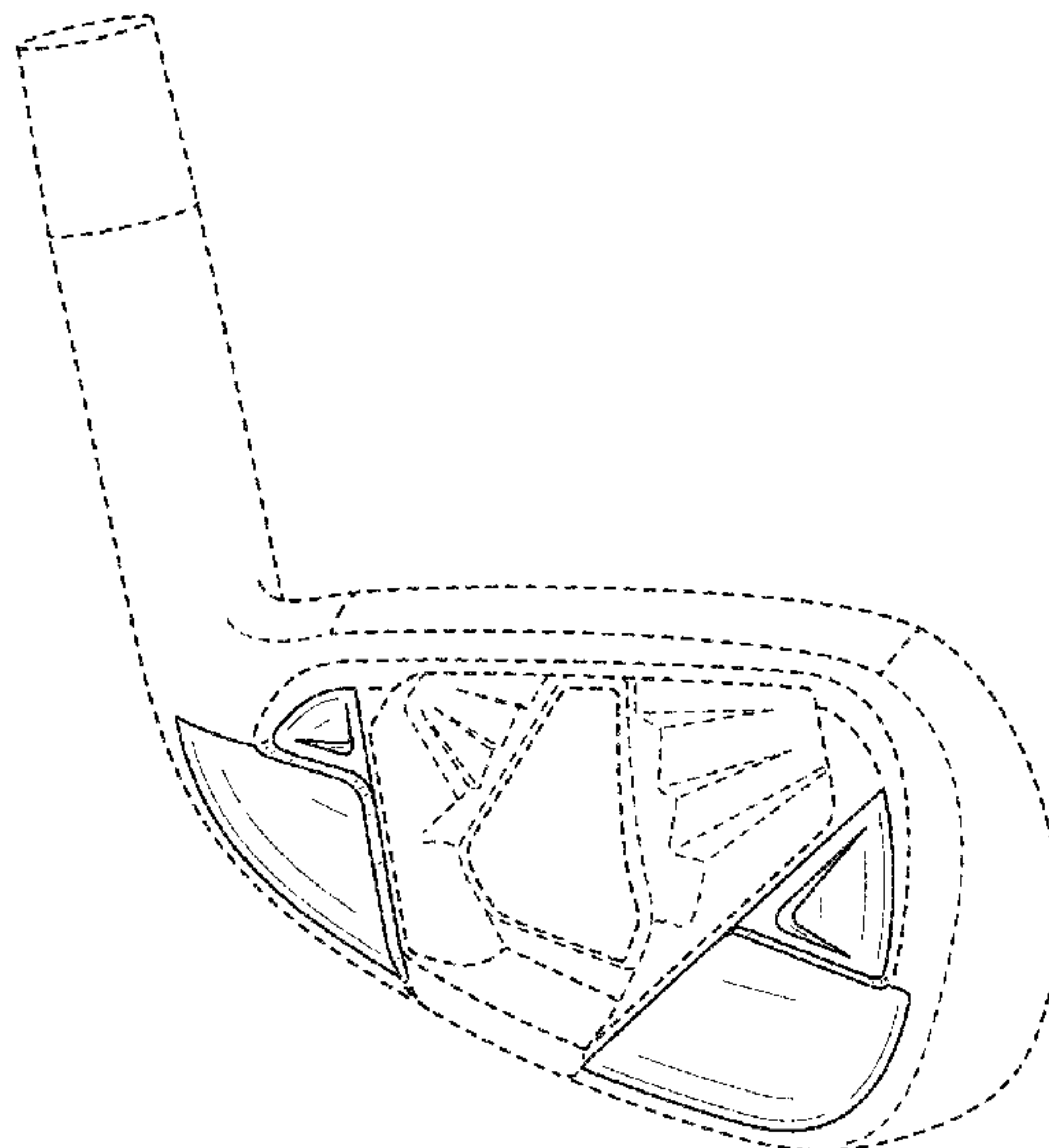
(57) **CLAIM**

The ornamental design for a golf club head, as shown and described.

**DESCRIPTION**

FIG. 1 is a toe end perspective view of a golf club head showing our new design;  
FIG. 2 is a heel end perspective view thereof;  
FIG. 3 is a rear view thereof;  
FIG. 4 is a toe end view thereof;  
FIG. 5 is a heel end view thereof;  
FIG. 6 is a bottom view thereof;  
FIG. 7 is a top view thereof; and,  
FIG. 8 is a front view thereof.  
The broken lines showing the remainder of the golf club head are for environmental purposes only and form no part of the claimed design.

**1 Claim, 4 Drawing Sheets**



# US D685,045 S

Page 2

---

## U.S. PATENT DOCUMENTS

D669,947 S \* 10/2012 Kim et al. .... D21/747  
D670,779 S \* 11/2012 Oldknow et al. .... D21/759  
D671,180 S \* 11/2012 Oldknow et al. .... D21/759  
D671,181 S \* 11/2012 Oldknow et al. .... D21/759  
D675,692 S \* 2/2013 Oldknow et al. .... D21/759  
D676,914 S \* 2/2013 Oldknow et al. .... D21/759  
2012/0165110 A1 6/2012 Cheng  
2012/0165111 A1 6/2012 Cheng  
2012/0289360 A1 11/2012 Breier et al.

## OTHER PUBLICATIONS

Austad Golf Catalog, Spring 2008, pp. 2 and 5, published Spring  
2008.  
Golfsmith Catalog, 2010, pp. 24 and 25, published 2010.

\* cited by examiner

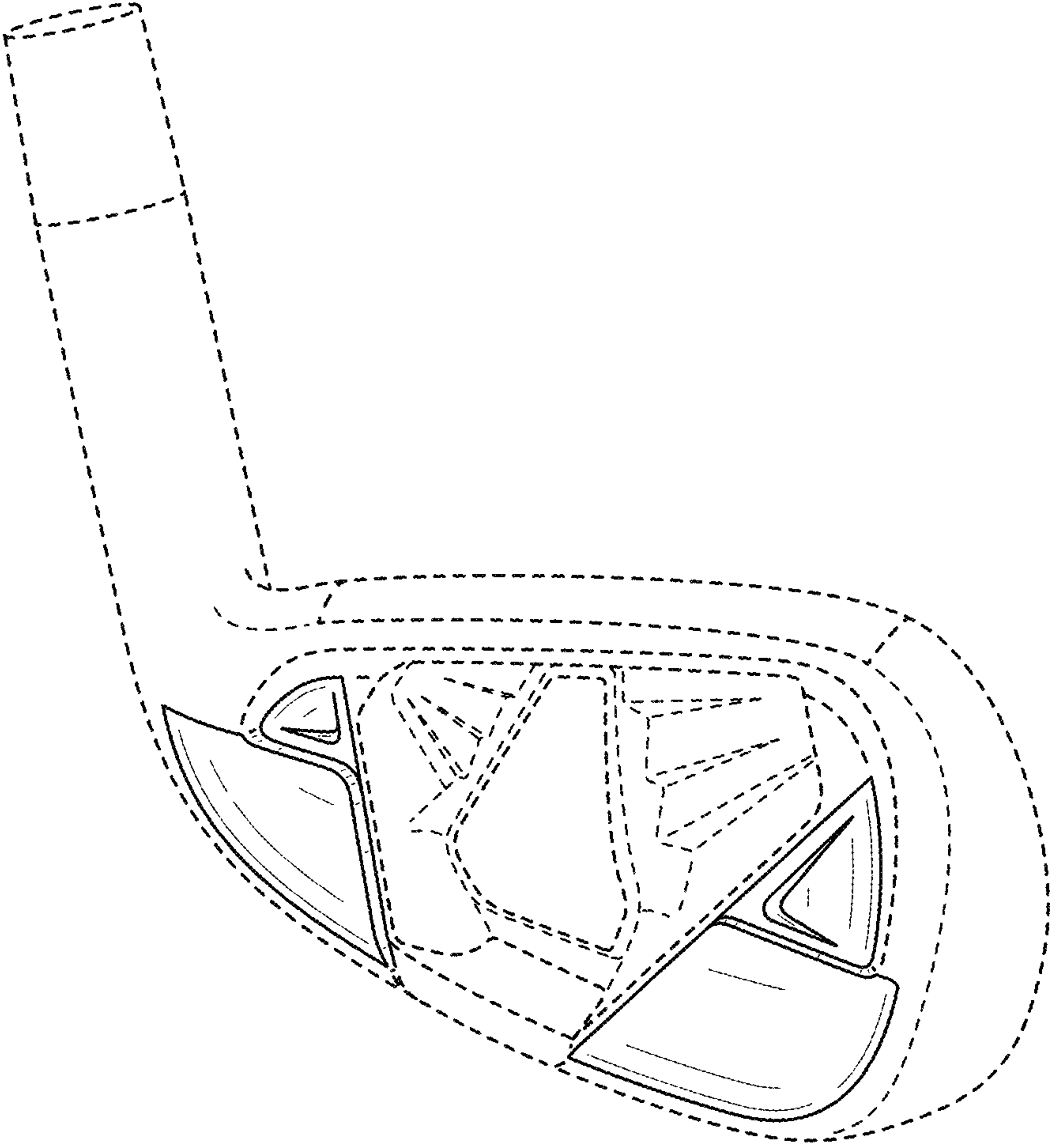


FIG. 1

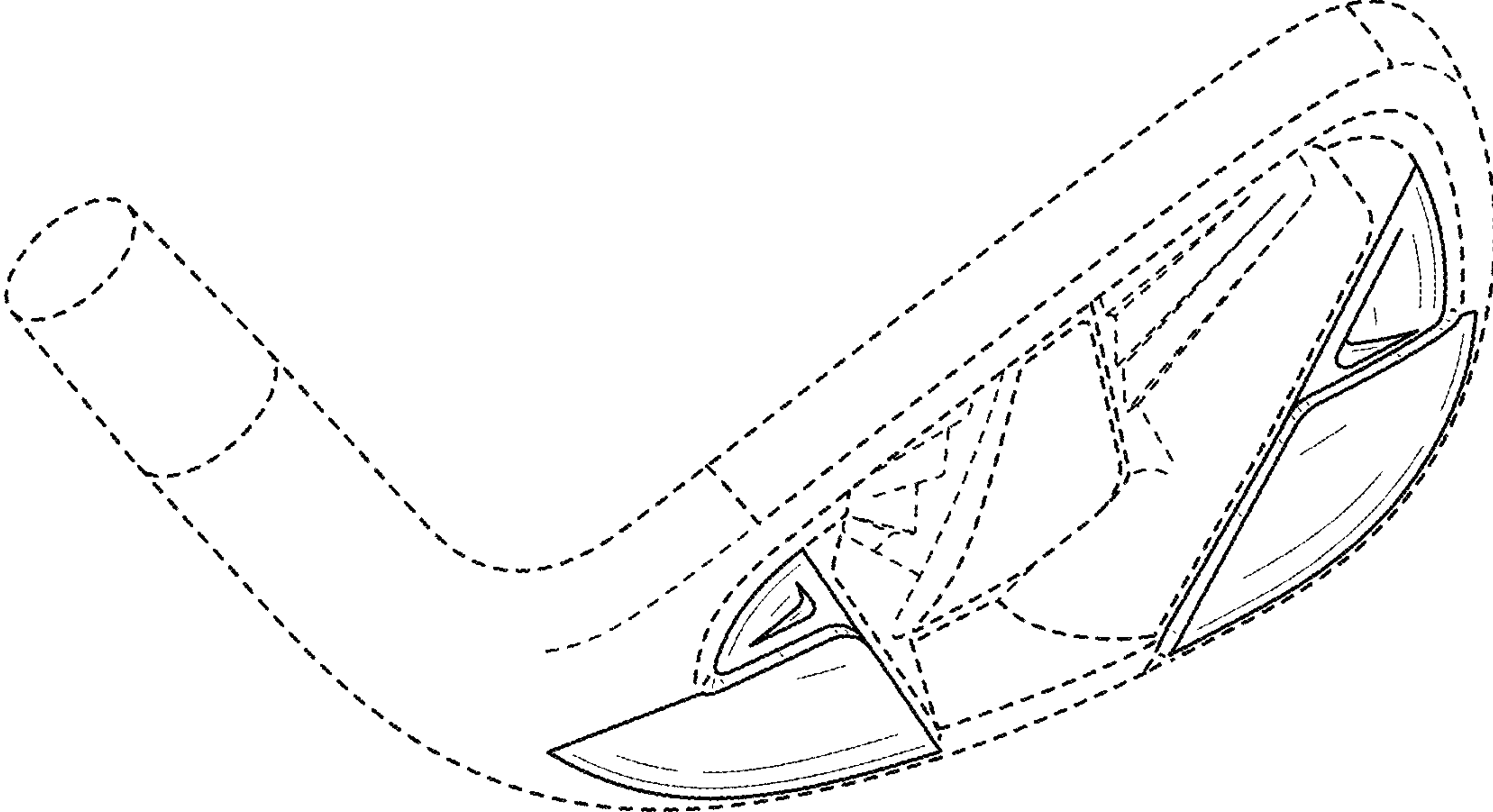


FIG. 2

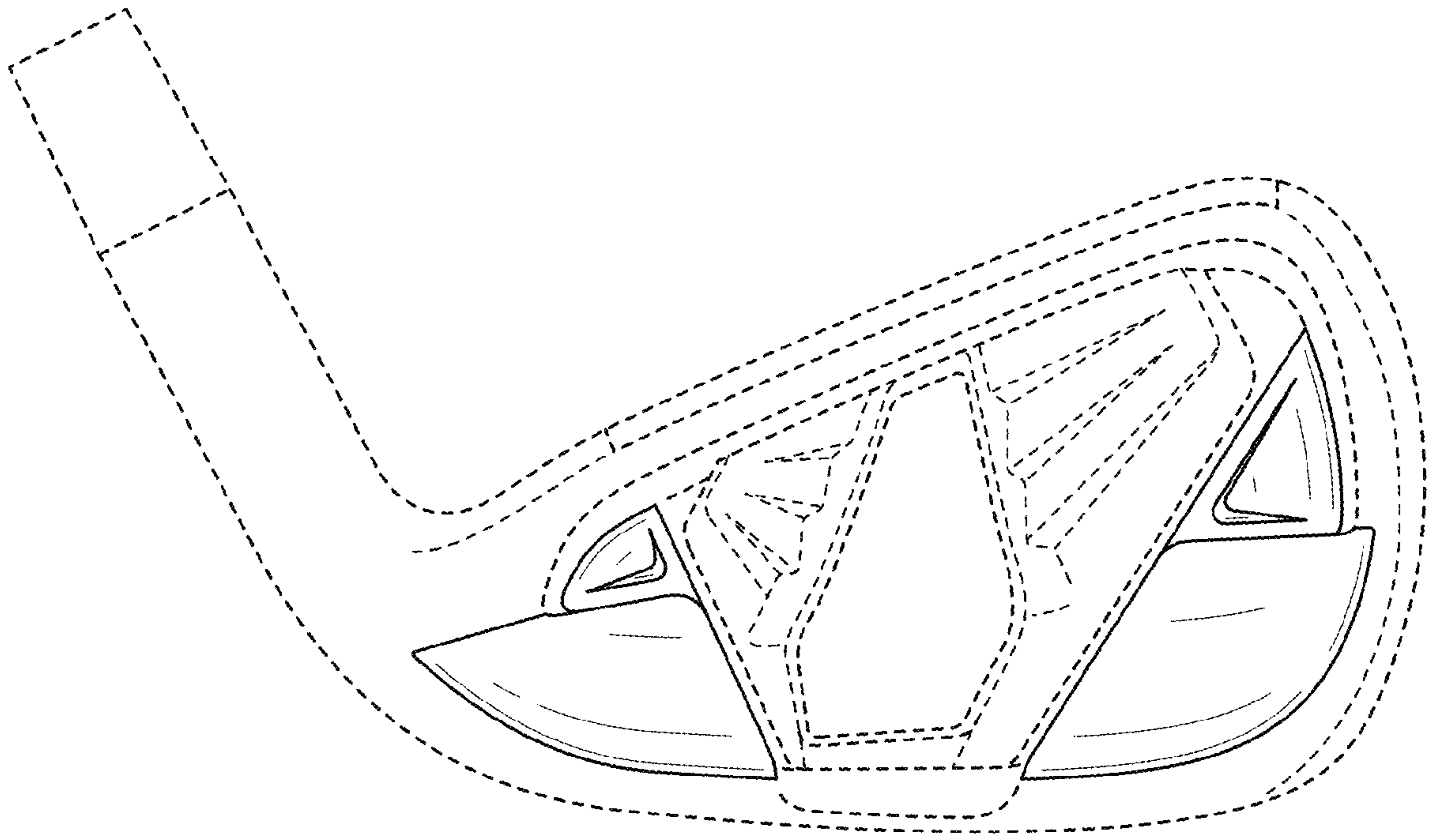


FIG. 3

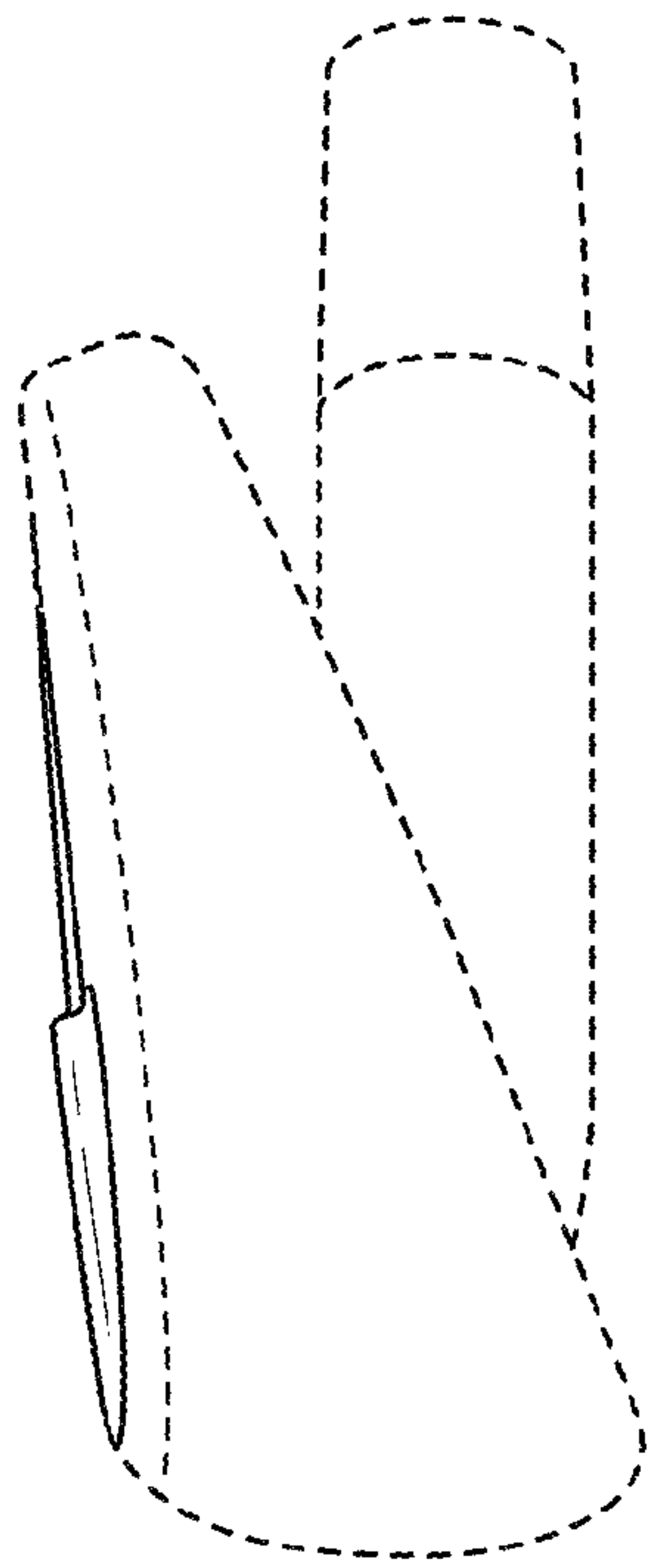


FIG. 4

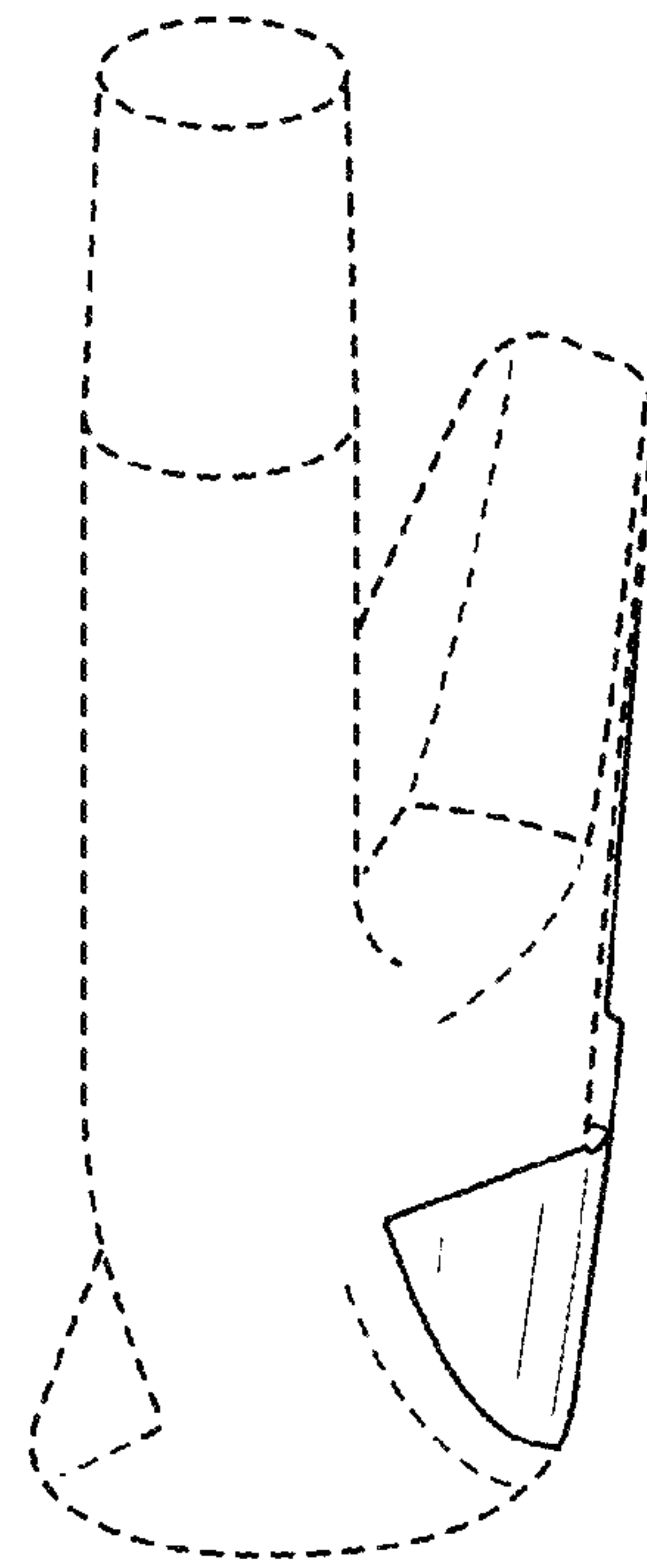


FIG. 5

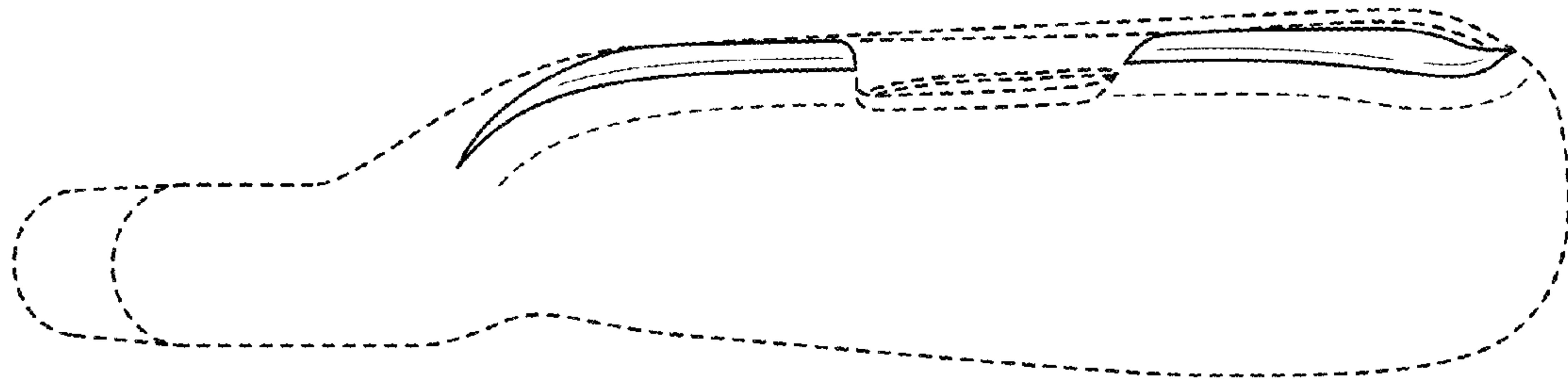


FIG. 6

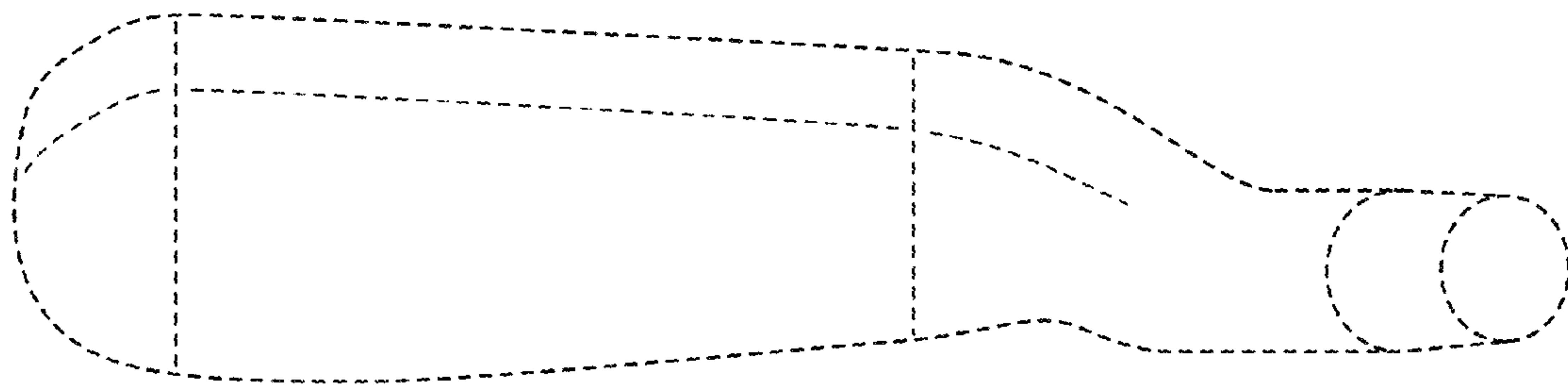


FIG. 7

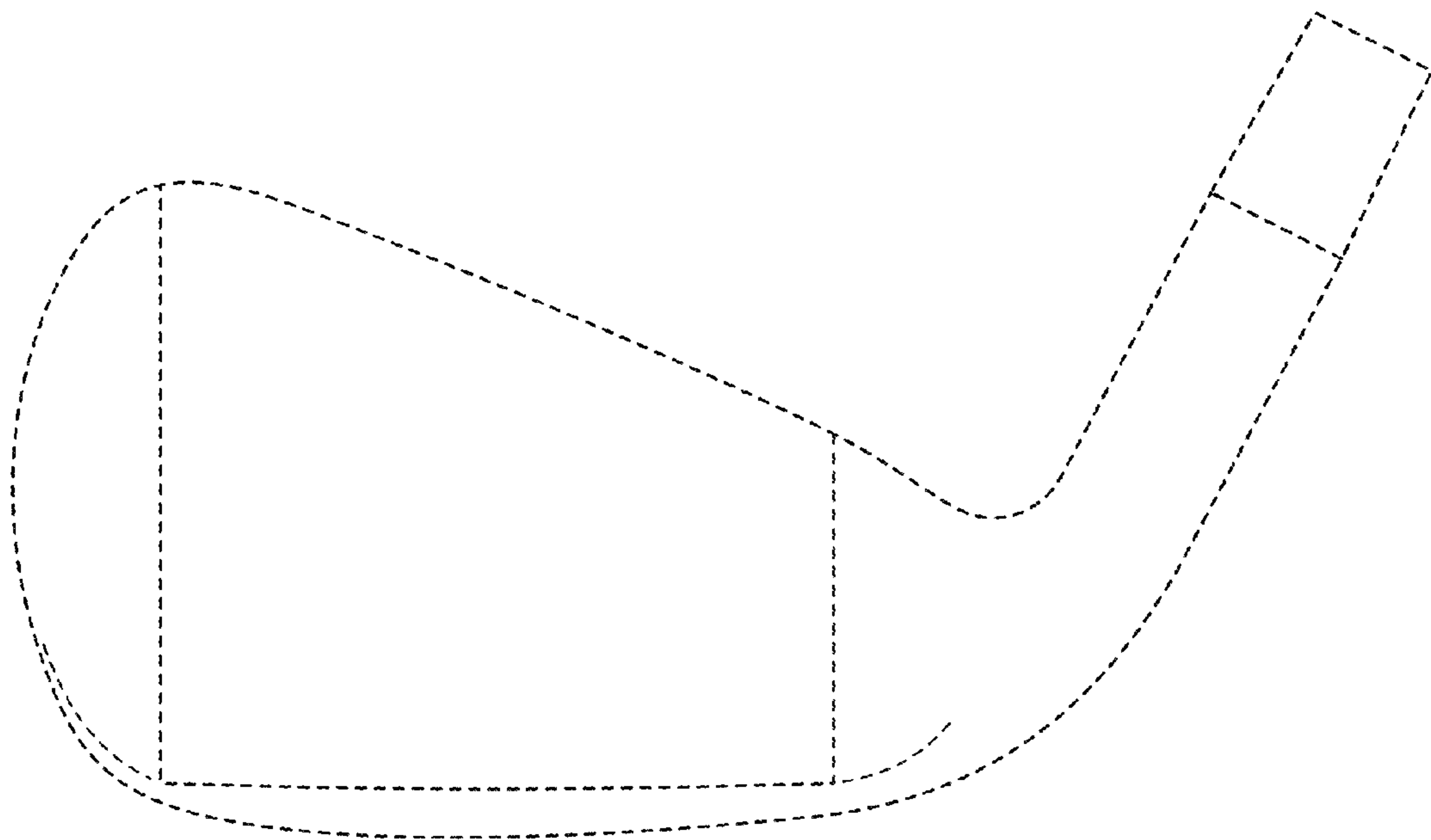


FIG. 8