



US00D685044S

(12) **United States Design Patent**
Oldknow et al.

(10) **Patent No.:** **US D685,044 S**
(45) **Date of Patent:** **** Jun. 25, 2013**

- (54) **GOLF CLUB HEAD**
- (71) Applicant: **NIKE, Inc.**, Beaverton, OR (US)
- (72) Inventors: **Andrew G. V. Oldknow**, Beaverton, OR (US); **Jason Cardani**, Portland, OR (US)
- (73) Assignee: **NIKE, Inc.**, Beaverton, OR (US)
- (**) Term: **14 Years**
- (21) Appl. No.: **29/447,093**
- (22) Filed: **Feb. 28, 2013**
- (51) **LOC (9) Cl.** **21-02**
- (52) **U.S. Cl.**
USPC **D21/759**
- (58) **Field of Classification Search**
USPC D21/747-751, 759; 473/324-331, 473/350
See application file for complete search history.

D602,103 S *	10/2009	Jorgensen et al.	D21/747
D622,336 S *	8/2010	Kohno	D21/747
D622,344 S	8/2010	Oldknow et al.		
D631,110 S	1/2011	Kim et al.		
D639,881 S	6/2011	Breier et al.		
D641,446 S	7/2011	Engel et al.		
D643,491 S	8/2011	Stokke et al.		
D647,985 S *	11/2011	Atwell et al.	D21/747
D649,211 S	11/2011	Jertson et al.		
D659,214 S	5/2012	Oldknow et al.		
D666,261 S	8/2012	Roach et al.		
D669,947 S *	10/2012	Kim et al.	D21/747
D675,692 S *	2/2013	Oldknow et al.	D21/759
D676,914 S *	2/2013	Oldknow et al.	D21/759
2012/0165110 A1	6/2012	Cheng		
2012/0165111 A1	6/2012	Cheng		
2012/0289360 A1	11/2012	Breier et al.		

* cited by examiner

Primary Examiner — Mitchell Siegel
(74) *Attorney, Agent, or Firm* — Banner & Witcoff, Ltd.

(57) **CLAIM**
The ornamental design for a golf club head, as shown and described.

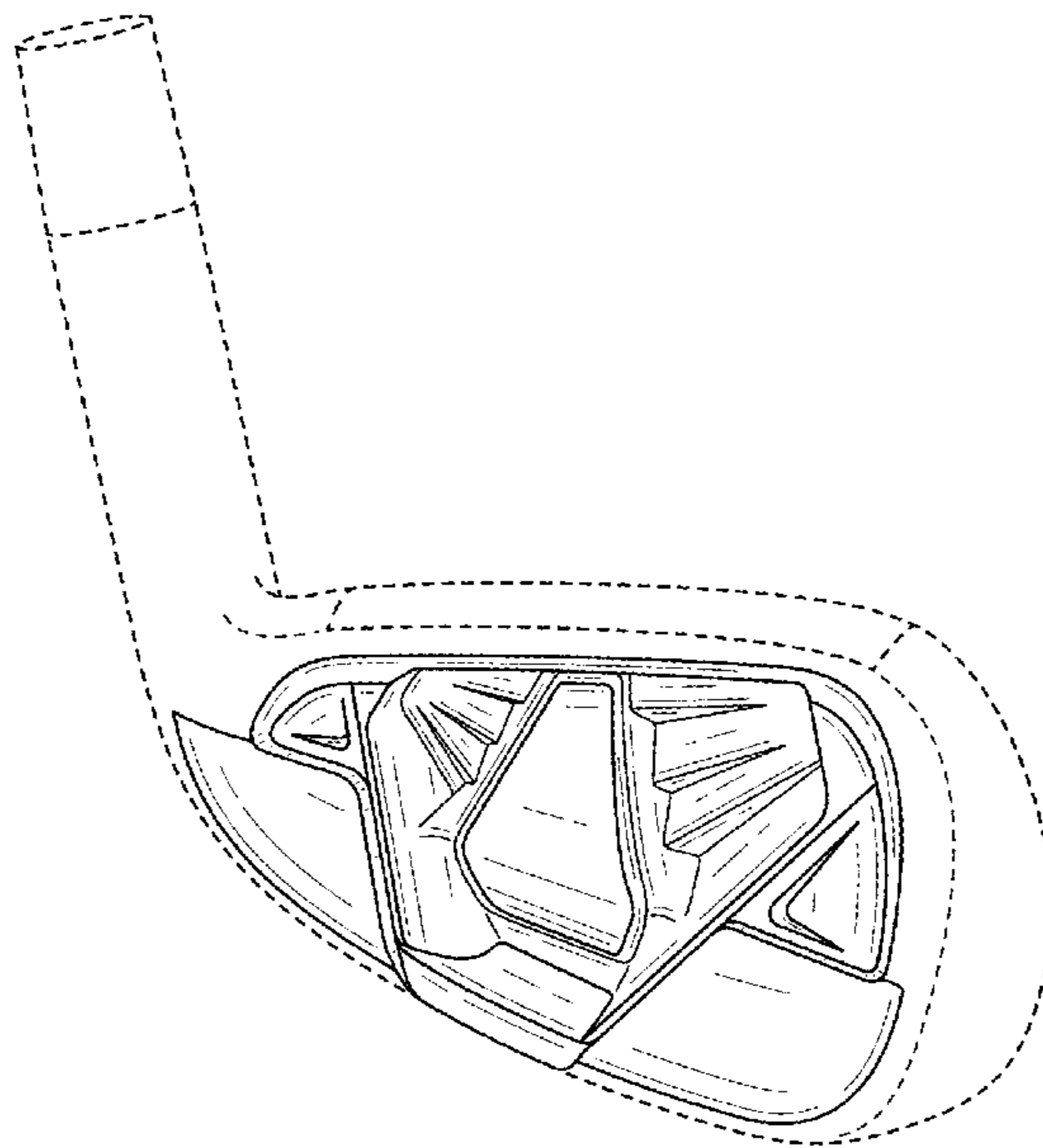
DESCRIPTION

FIG. 1 is a toe end perspective view of a golf club head showing our new design;
FIG. 2 is a heel end perspective view thereof;
FIG. 3 is a rear view thereof;
FIG. 4 is a toe end view thereof;
FIG. 5 is a heel end view thereof;
FIG. 6 is a bottom view thereof;
FIG. 7 is a top view thereof; and,
FIG. 8 is a front view thereof.
The broken lines showing the remainder of the golf club head are for environmental purposes only and form no part of the claimed design.

1 Claim, 4 Drawing Sheets

(56) **References Cited**
U.S. PATENT DOCUMENTS

D377,381 S	1/1997	Takahashi et al.		
D501,237 S	1/2005	Madore		
D505,466 S	5/2005	Lang et al.		
D510,115 S	9/2005	Lang et al.		
D518,539 S	4/2006	Cleveland et al.		
D529,114 S	9/2006	Madore		
D556,278 S	11/2007	Mahaffey et al.		
D562,423 S	2/2008	Foster et al.		
D566,803 S	4/2008	Foster et al.		
D580,503 S *	11/2008	Roach et al.	D21/747
D597,616 S *	8/2009	Ines et al.	D21/747
D597,617 S *	8/2009	Ines et al.	D21/747
D597,618 S *	8/2009	Ines et al.	D21/747
D598,060 S *	8/2009	Barez et al.	D21/747
D598,061 S *	8/2009	Barez et al.	D21/747
D601,651 S	10/2009	Jorgensen et al.		



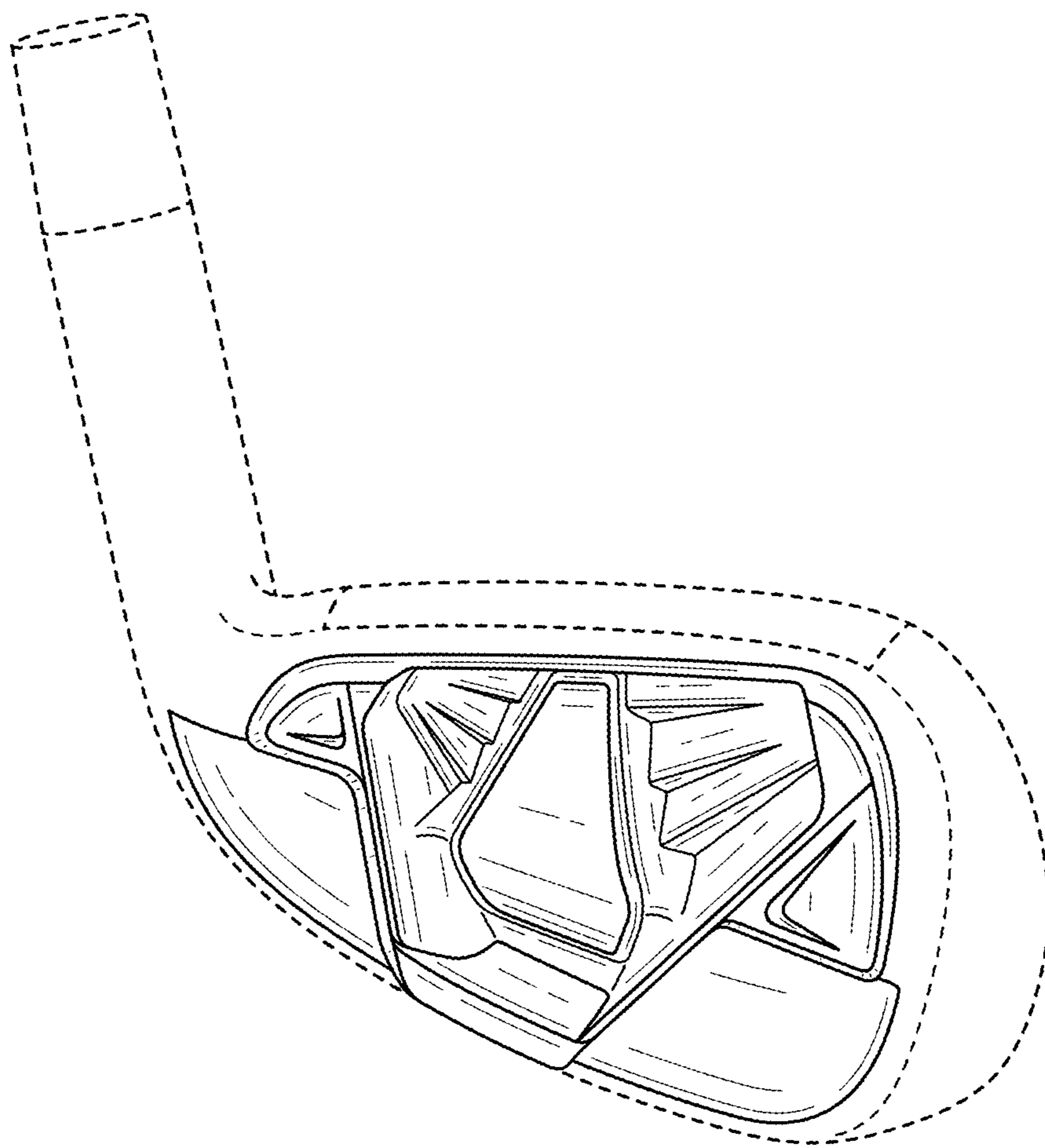


FIG. 1

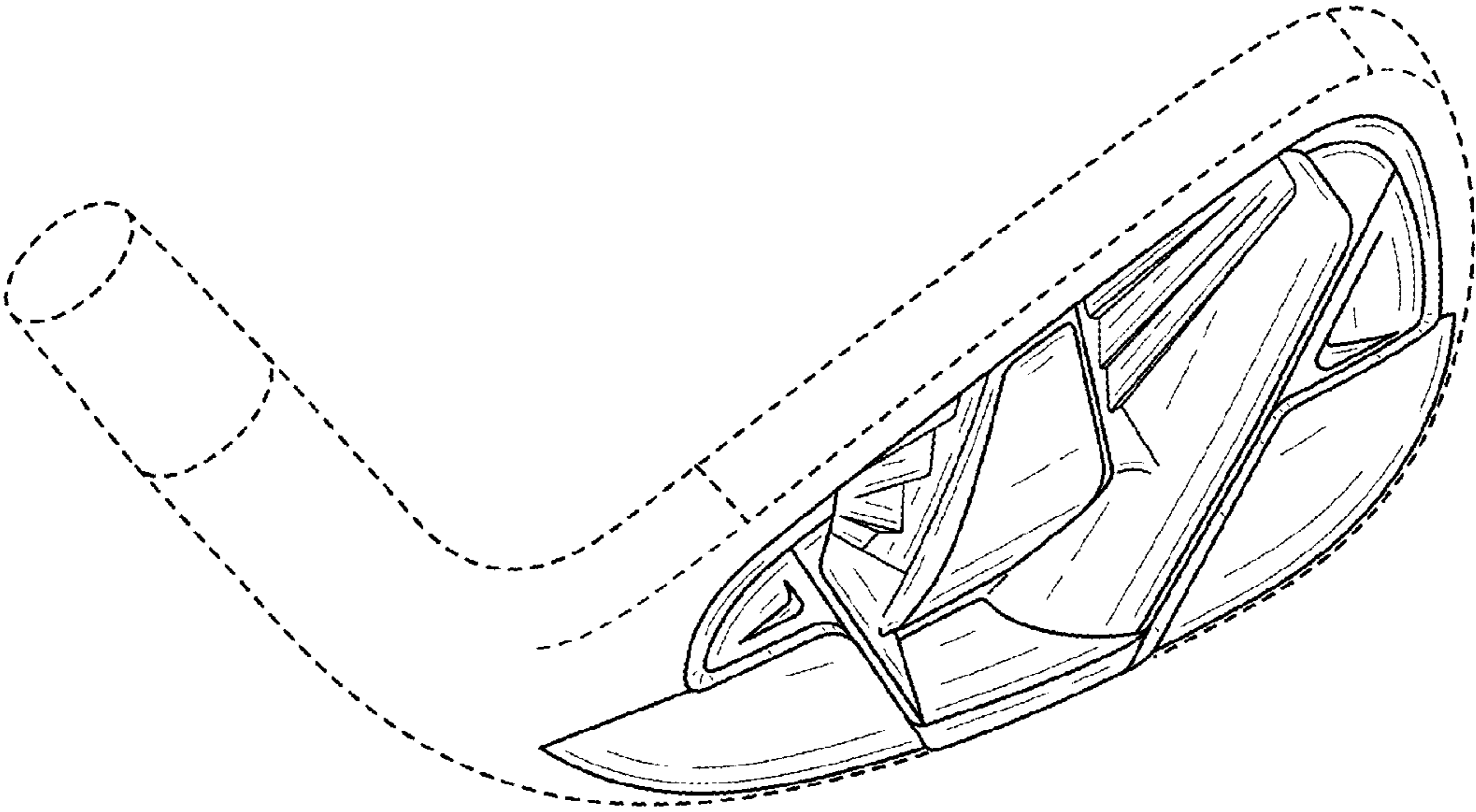


FIG. 2

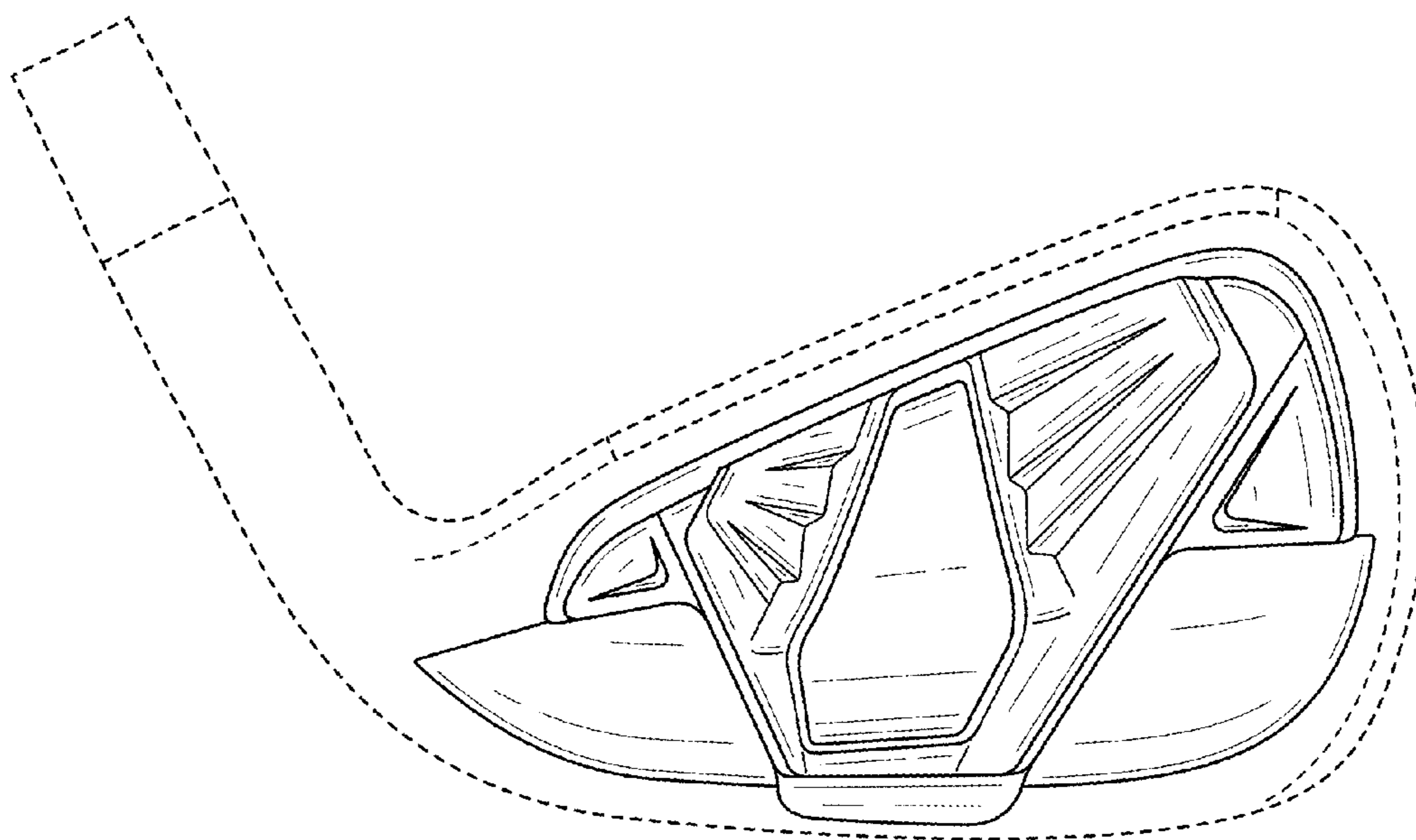


FIG. 3

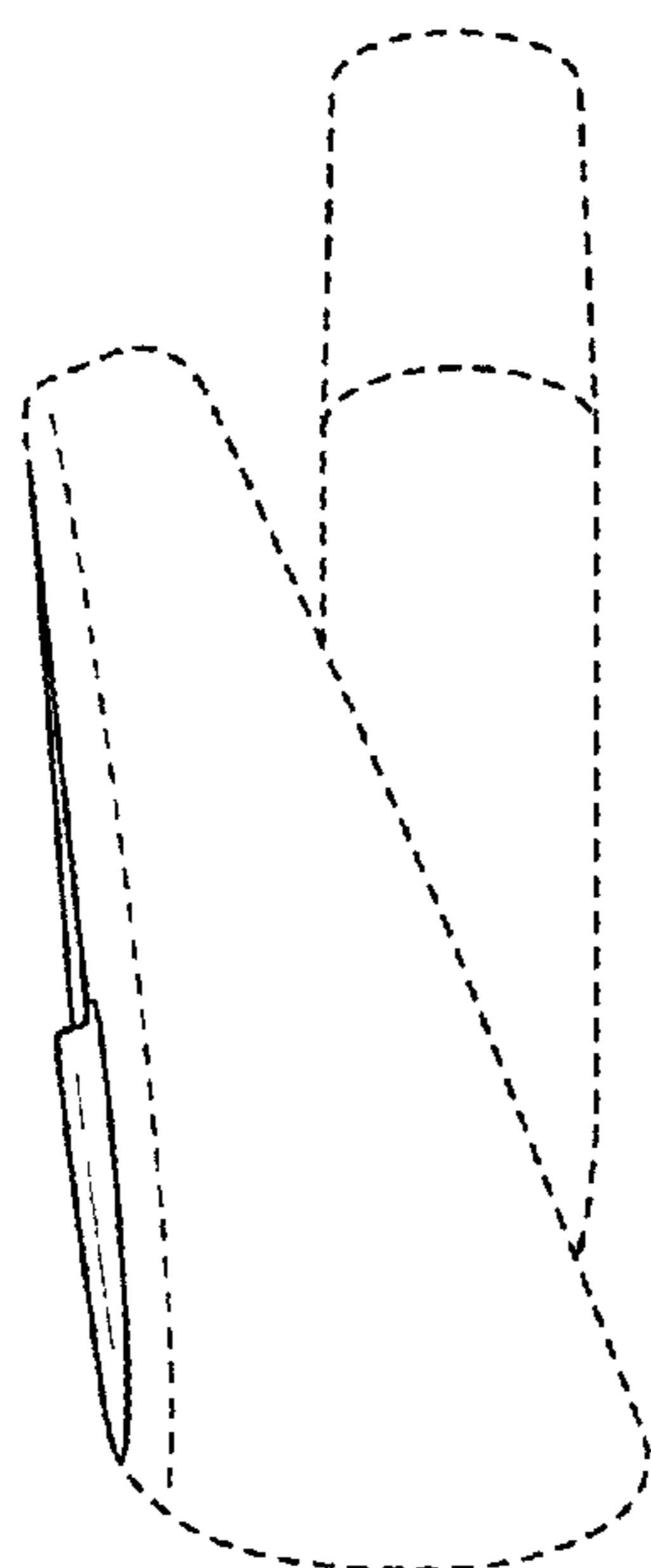


FIG. 4

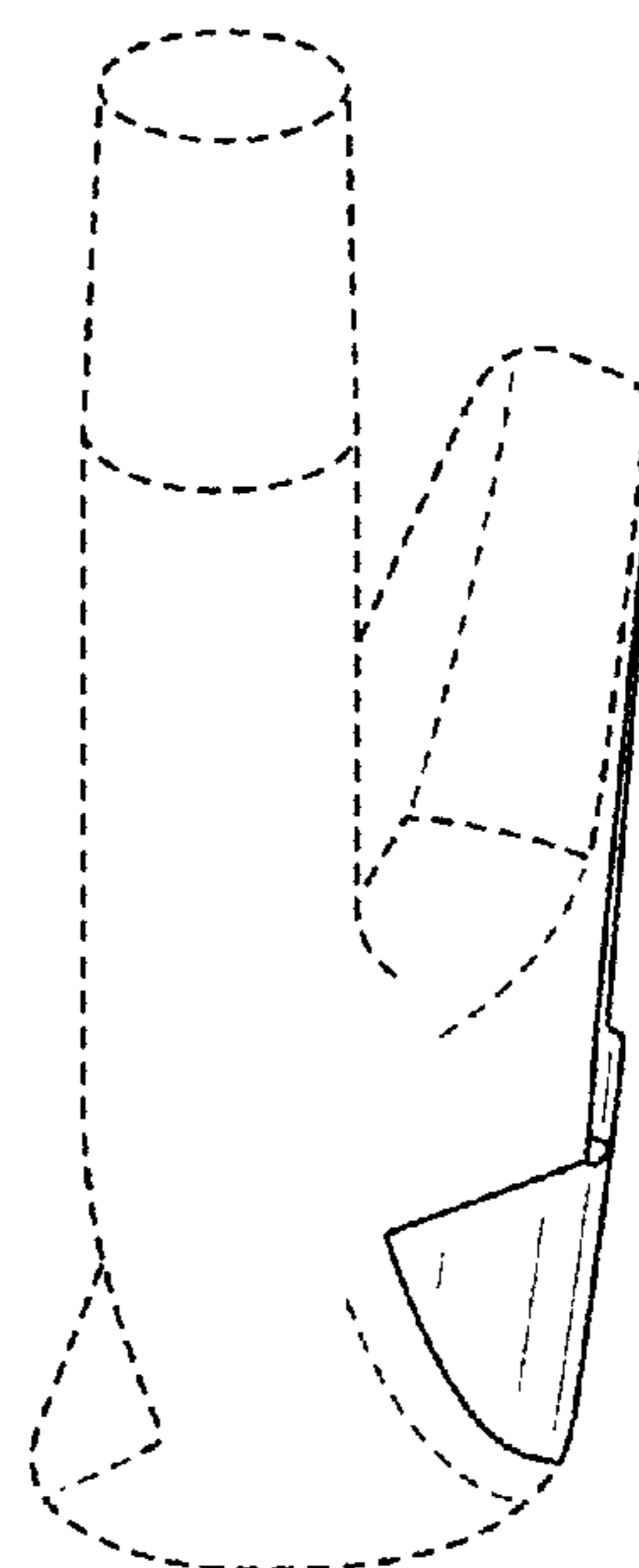


FIG. 5

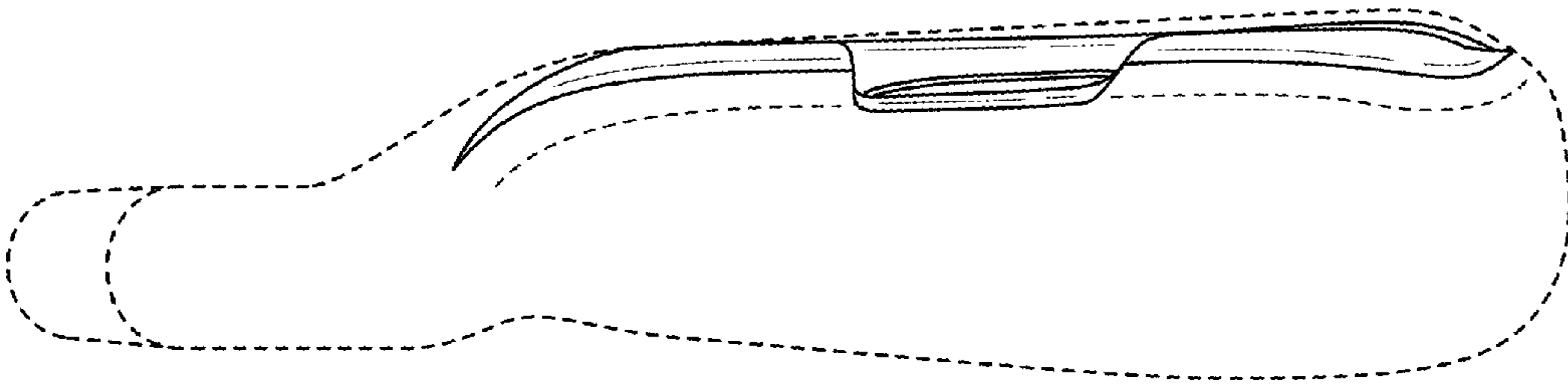


FIG. 6

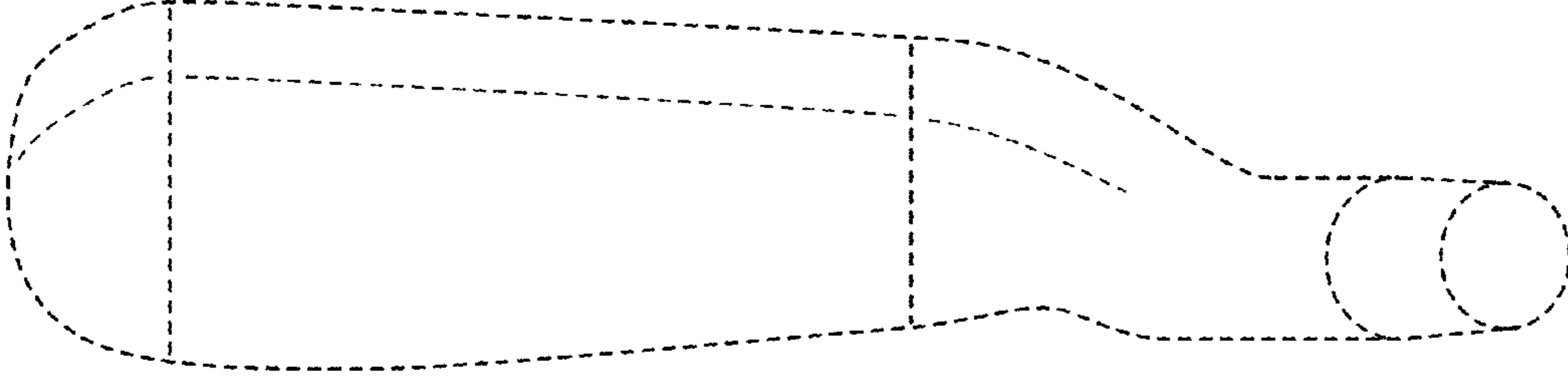


FIG. 7

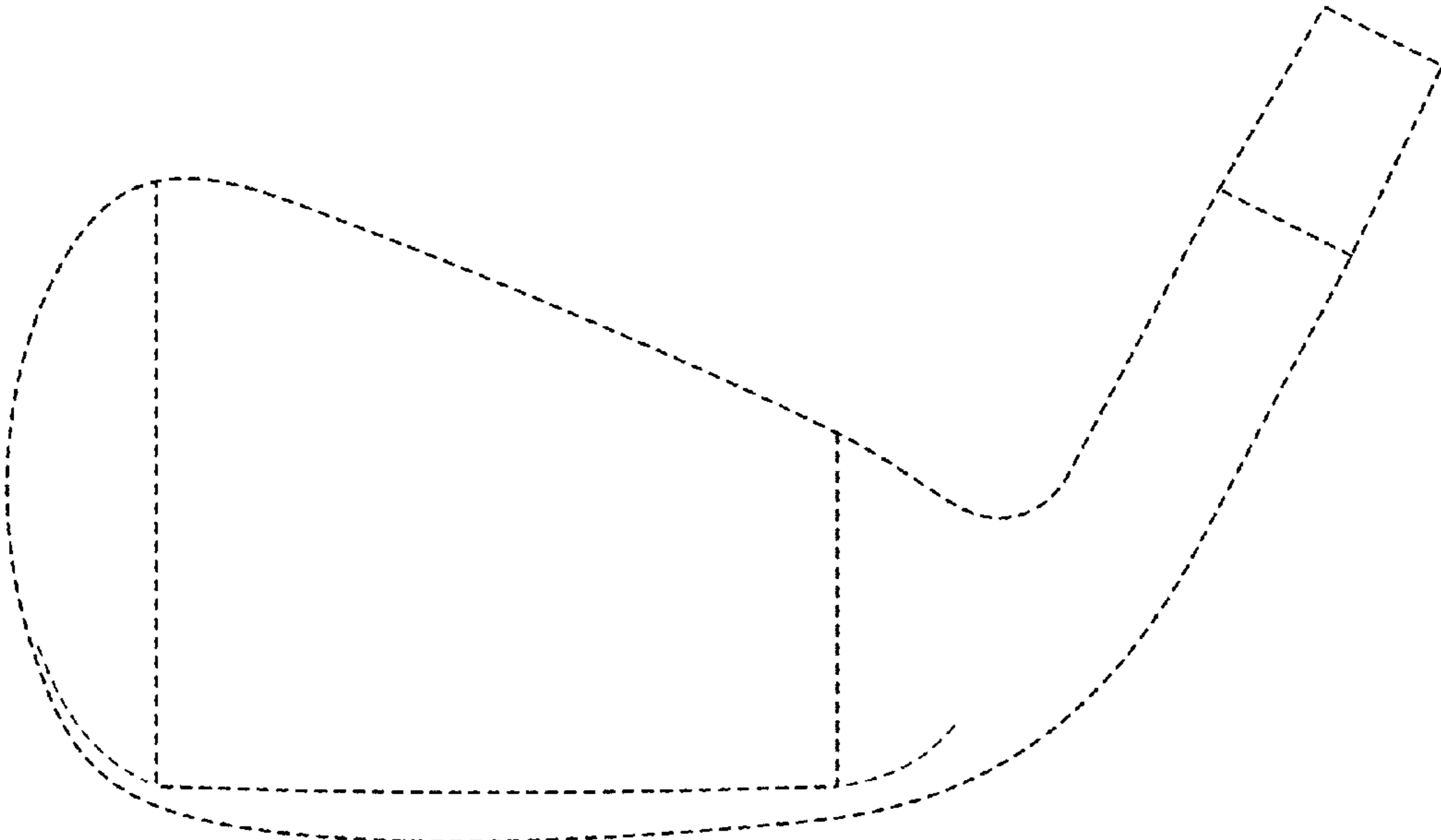


FIG. 8