



US00D685042S

(12) **United States Design Patent**
Jertson et al.

(10) **Patent No.:** **US D685,042 S**
(45) **Date of Patent:** **** Jun. 25, 2013**

(54) **BADGE FOR A GOLF CLUB HEAD**
(75) Inventors: **Marty R. Jertson**, Phoenix, AZ (US);
Xiaojian Chen, Phoenix, AZ (US)
(73) Assignee: **Karsten Manufacturing Corporation**,
Phoenix, AZ (US)
(**) Term: **14 Years**
(21) Appl. No.: **29/426,259**
(22) Filed: **Jul. 2, 2012**
(51) **LOC (9) Cl.** **21-02**
(52) **U.S. Cl.**
USPC **D21/759**
(58) **Field of Classification Search**
USPC D21/747-751, 759; 473/324-331,
473/350
See application file for complete search history.

D481,775 S 11/2003 Best
D494,240 S 8/2004 Schweigert
D494,648 S 8/2004 Schweigert
D494,649 S 8/2004 Imamoto
D495,390 S 8/2004 Pinder
D500,350 S 12/2004 Schweigert
D500,351 S 12/2004 Schweigert
D502,237 S 2/2005 Schweigert
D502,975 S 3/2005 Schweigert
D504,925 S 5/2005 Schweigert
D505,171 S 5/2005 Schweigert
D507,321 S 7/2005 Dogan
D507,614 S 7/2005 Schweigert

(Continued)

OTHER PUBLICATIONS

Ryan M. Stokke, et al., "Badge for a Golf Club Head," U.S. Appl. No. 29/426,258, filed Jul. 2, 2012.

(Continued)

Primary Examiner — Mitchell Siegel

(56) **References Cited**

U.S. PATENT DOCUMENTS

D244,558 S 5/1977 Elkins, Jr.
D361,813 S 8/1995 Guibaud
5,492,327 A 2/1996 Biafore, Jr.
5,564,705 A 10/1996 Kobayashi
5,593,356 A 1/1997 Takeda
5,658,206 A 8/1997 Antonious
D398,355 S 9/1998 Chou
D409,702 S 5/1999 Gallagher
D420,080 S 2/2000 Gates
D424,146 S 5/2000 Maltby
D428,632 S 7/2000 Besnard
D435,073 S 12/2000 Stone
D435,277 S 12/2000 Erickson
6,210,290 B1 4/2001 Erickson
D442,245 S 5/2001 Roach
6,251,029 B1 6/2001 Roberts
D445,862 S 7/2001 Ford
D453,949 S 2/2002 Helmstetter
D475,427 S * 6/2003 Murphy et al. D21/759
D480,440 S 10/2003 Rollinson

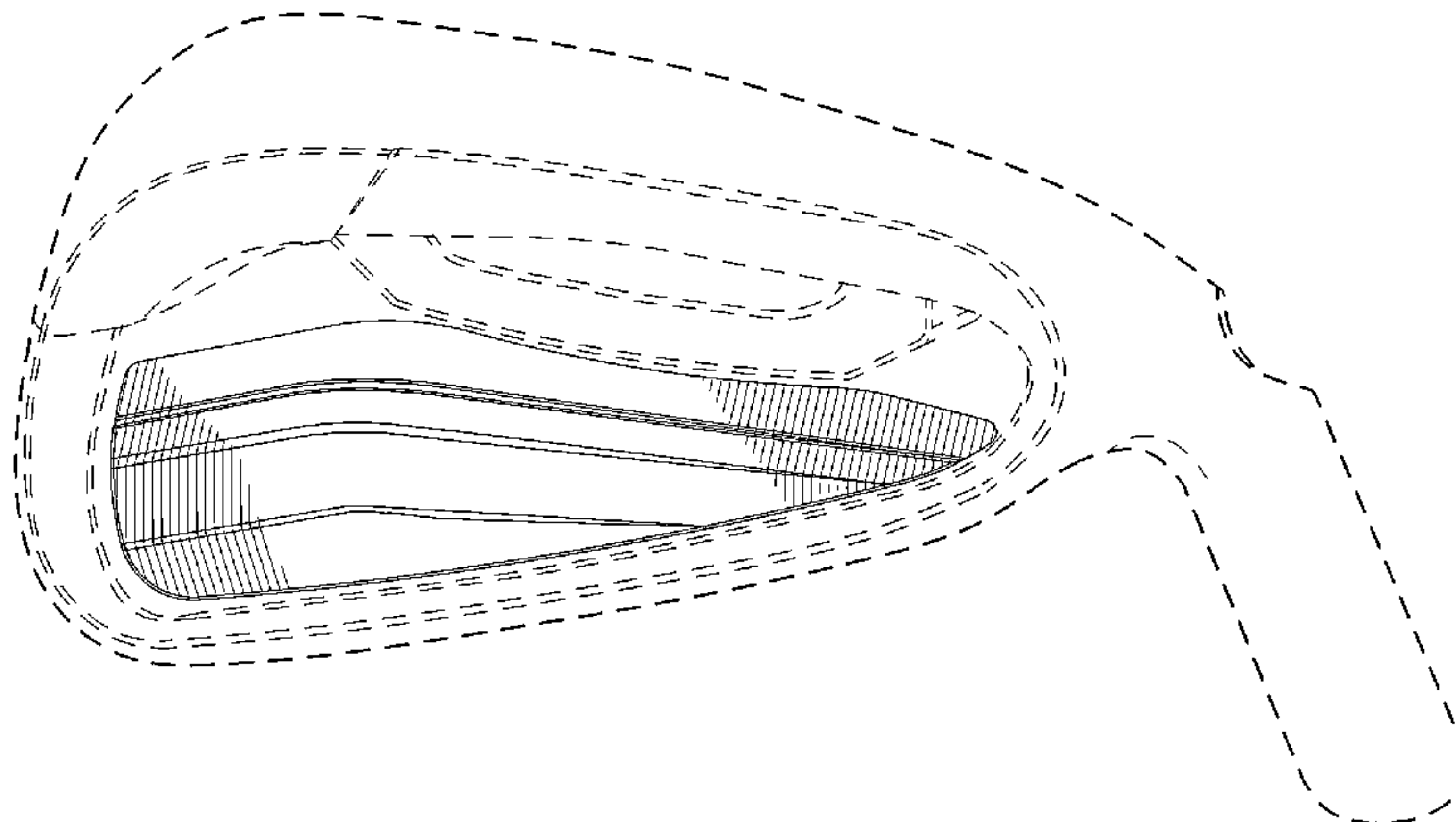
(57) **CLAIM**

The ornamental design for a badge for a golf club head, as shown and described.

DESCRIPTION

FIG. 1 is a top perspective view of a badge for a golf club head;
FIG. 2 is an enlarged front perspective view;
FIG. 3 is a front elevational view;
FIG. 4 is a rear elevational view;
FIG. 5 is a top view;
FIG. 6 is a bottom view;
FIG. 7 is a left side view; and,
FIG. 8 is a right side view.
The broken lines shown in one or more of the figures are for illustrative purposes only and form no part of the claimed design.

1 Claim, 3 Drawing Sheets



US D685,042 S

Page 2

U.S. PATENT DOCUMENTS

D508,099 S 8/2005 Schweigert
D509,868 S 9/2005 Imamoto
D514,183 S 1/2006 Schweigert
D516,649 S 3/2006 Imamoto
7,066,834 B2 6/2006 Yamamoto
D525,330 S 7/2006 Imamoto
D526,375 S 8/2006 Kawami
D528,617 S 9/2006 Imamoto
D530,759 S 10/2006 Nicolette
D530,760 S 10/2006 Schweigert
D532,849 S 11/2006 Nicolette
D534,228 S 12/2006 Nicolette
D534,597 S 1/2007 Nicolette
D536,759 S 2/2007 Schweigert
D538,366 S 3/2007 Nicolette
D539,863 S 4/2007 Nunez
D541,360 S 4/2007 Schweigert
D549,795 S 8/2007 Rollinson
D550,316 S 9/2007 Nagai
D554,215 S 10/2007 Ruggiero
D561,285 S * 2/2008 Llewellyn et al. D21/759
D561,855 S 2/2008 Schweigert
D562,925 S 2/2008 Schweigert
D570,942 S 6/2008 Chen
D570,943 S 6/2008 Chen

D571,425 S 6/2008 Chen
D571,426 S 6/2008 Chen
D571,427 S 6/2008 Schweigert
D572,329 S 7/2008 Nicolette
D572,781 S * 7/2008 Kim et al. D21/747
D573,219 S 7/2008 Schweigert
D574,915 S 8/2008 Jones
D577,783 S 9/2008 Schweigert
D578,590 S 10/2008 Schweigert
D581,004 S 11/2008 Schweigert
D596,258 S 7/2009 Jertson
D596,688 S 7/2009 Schweigert
D600,298 S 9/2009 Serrano
D621,893 S 8/2010 Nicolette
D621,895 S 8/2010 Schweigert
D627,409 S 11/2010 Schweigert
D649,211 S 11/2011 Jertson
D651,268 S 12/2011 Nicolette
2007/0281796 A1 12/2007 Gilbert

OTHER PUBLICATIONS

Ryan M. Stokke, et al., "Badge for a Golf Club Head," U.S. Appl. No. 29/426,262, filed Jul. 2, 2012.

* cited by examiner

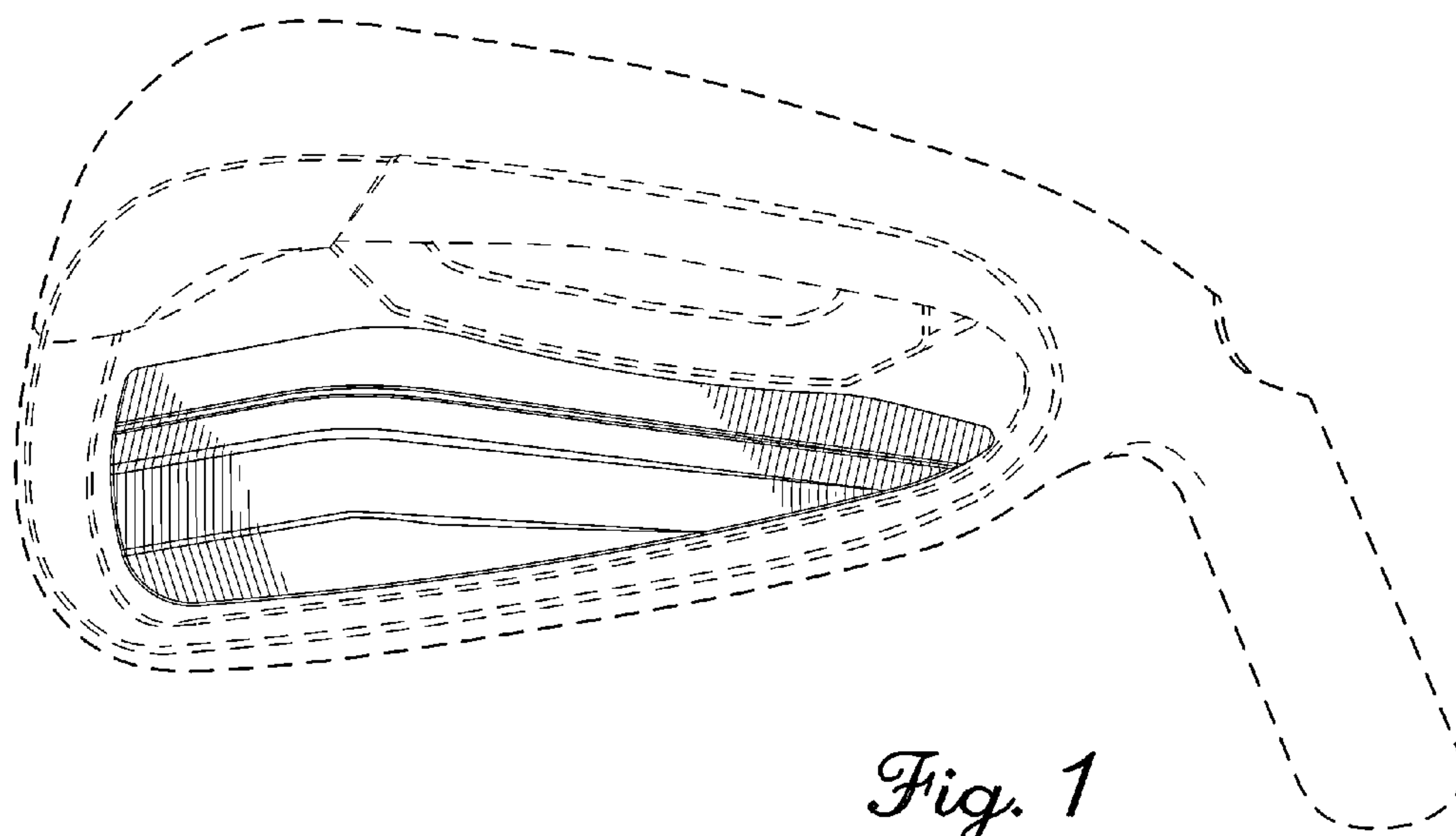


Fig. 1

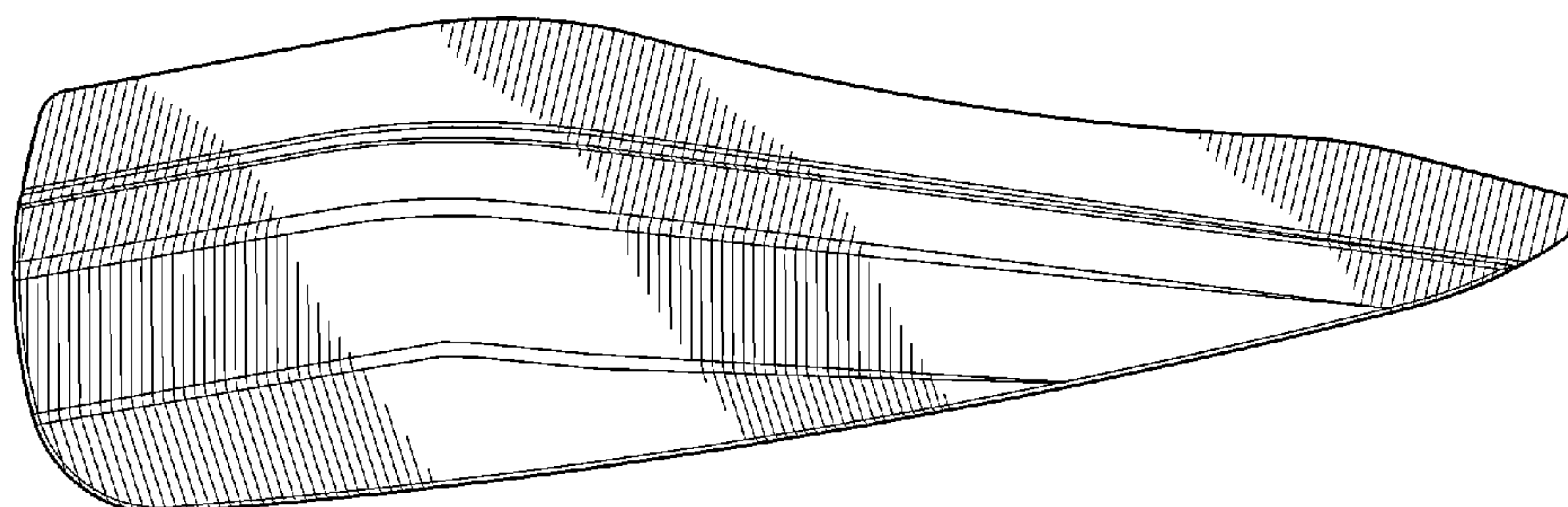


Fig. 2

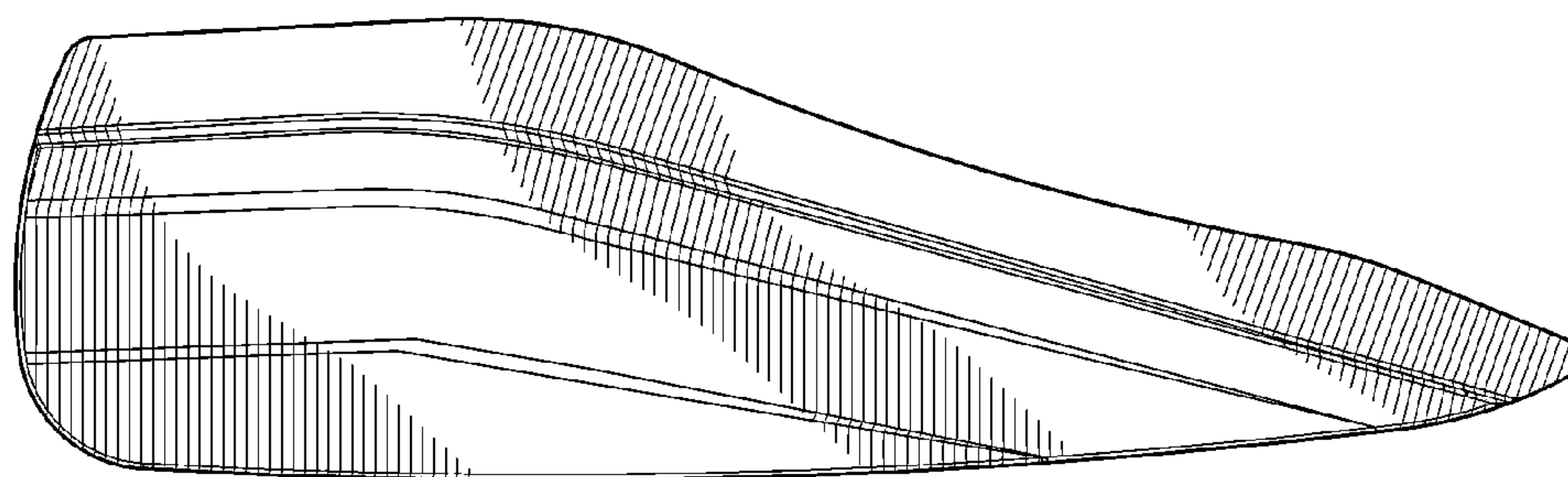


Fig. 3

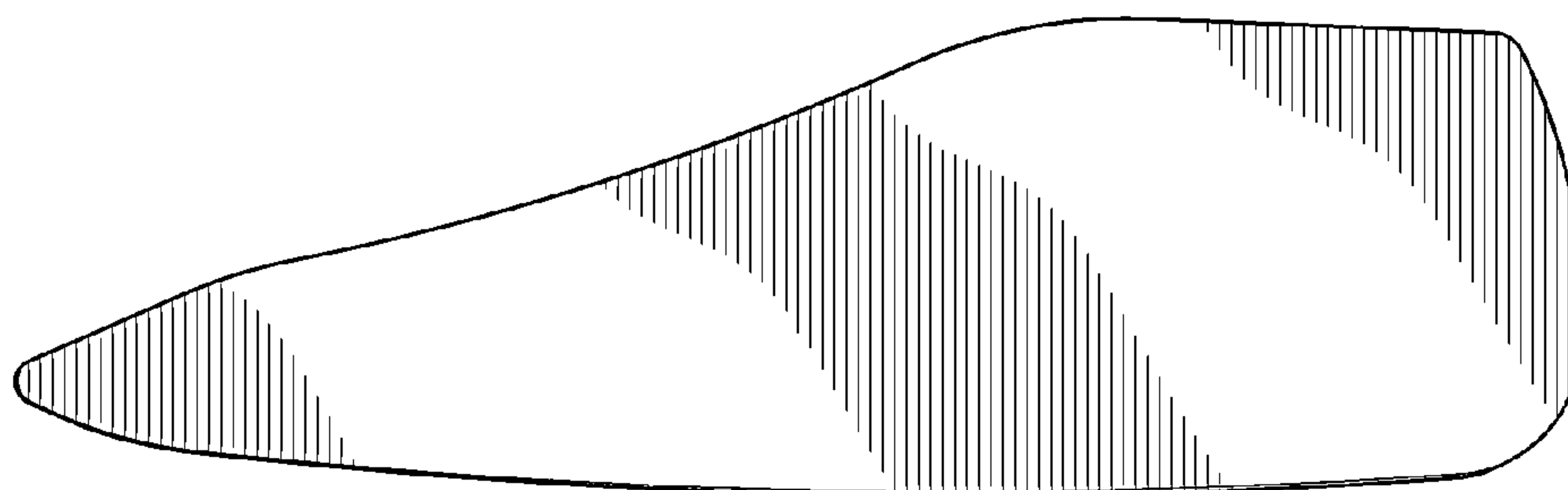


Fig. 4

Fig. 5

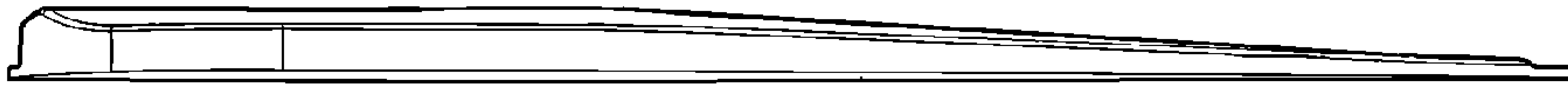


Fig. 6

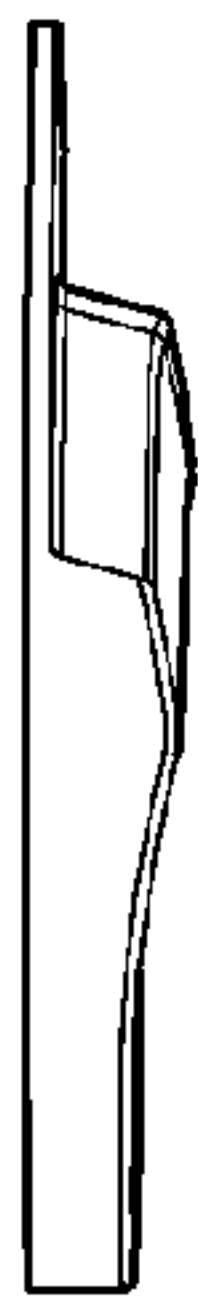
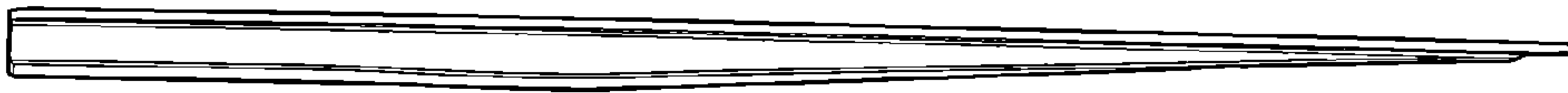


Fig. 7

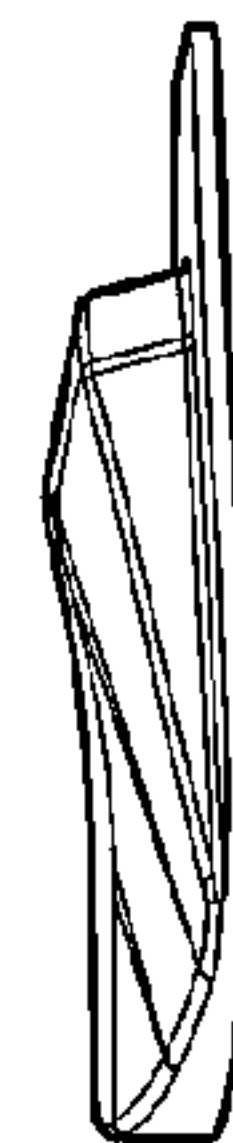


Fig. 8