



US00D685038S

(12) **United States Design Patent**
Crain et al.

(10) **Patent No.:** **US D685,038 S**
(45) **Date of Patent:** **** Jun. 25, 2013**

(54) **EXERCISE DEVICE**

(75) Inventors: **Edwin Crain**, Toronto (CA); **Steven N. Burke**, Markham (CA)

(73) Assignee: **ShopmaniaTV Inc.**, Toronto, Ontario (CA)

(**) Term: **14 Years**

(21) Appl. No.: **29/426,918**

(22) Filed: **Jul. 11, 2012**

(51) **LOC (9) Cl.** **21-02**

(52) **U.S. Cl.**
USPC **D21/662**

(58) **Field of Classification Search**
USPC D21/662, 679, 680–682, 684, 686,
D21/694; D24/211–215; D8/90, 315–317;
482/8, 62, 93, 98, 106–108, 123, 132, 141–142;
601/80, 113, 125

See application file for complete search history.

(56) **References Cited**

U.S. PATENT DOCUMENTS

D503,755 S * 4/2005 Schoening D21/662
D523,493 S * 6/2006 Horton D21/662
D525,508 S * 7/2006 Leonard, II D8/90
D576,693 S * 9/2008 Khubani D21/686

D579,503 S * 10/2008 Hauser et al. D21/662
D593,168 S * 5/2009 Khubani D21/662
D597,153 S * 7/2009 Friedman et al. D21/662
D599,417 S * 9/2009 Friedman et al. D21/662
7,604,582 B2 * 10/2009 Abdallah 482/141
7,909,746 B2 * 3/2011 Gant 482/141
7,951,055 B2 * 5/2011 Mulderrig et al. 482/141
D651,669 S * 1/2012 Garland et al. D21/662
D666,684 S * 9/2012 Meininger et al. D21/662

* cited by examiner

Primary Examiner — Susan E Krakower

(74) *Attorney, Agent, or Firm* — Dennemeyer & Associates, LLC; Edward J. Chalfie

(57) **CLAIM**

The ornamental design for an exercise device, as shown and described.

DESCRIPTION

FIG. 1 is a perspective view of an exercise device showing our new design.

FIG. 2 is a front elevational view thereof.

FIG. 3 is a rear elevational view thereof

FIG. 4 is a left side elevational view thereof.

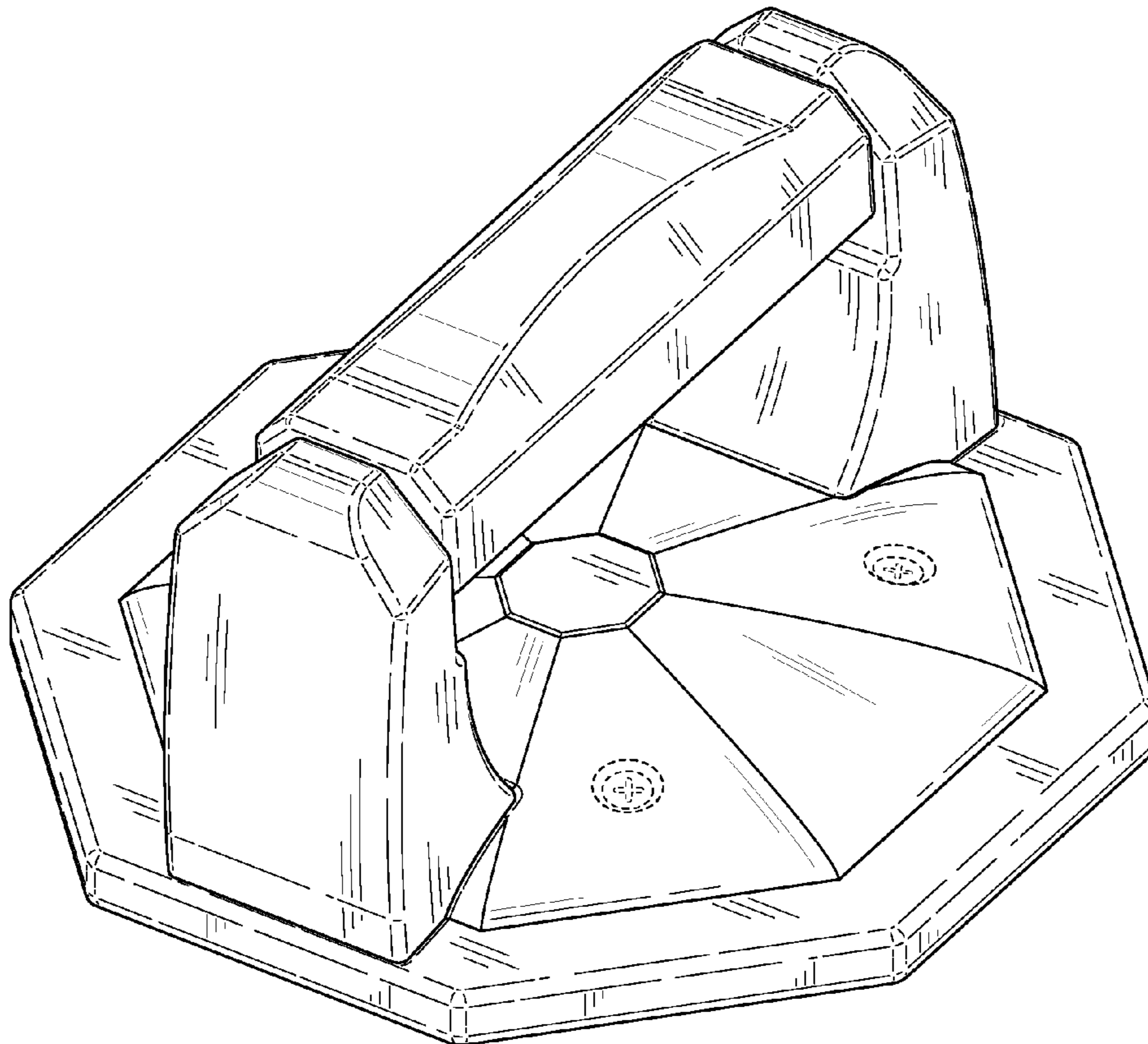
FIG. 5 is a right side elevational view thereof.

FIG. 6 is a top plan view thereof; and,

FIG. 7 is a bottom plan view thereof.

The broken lines illustrate portions of the exercise device which form no part of the claimed design.

1 Claim, 5 Drawing Sheets



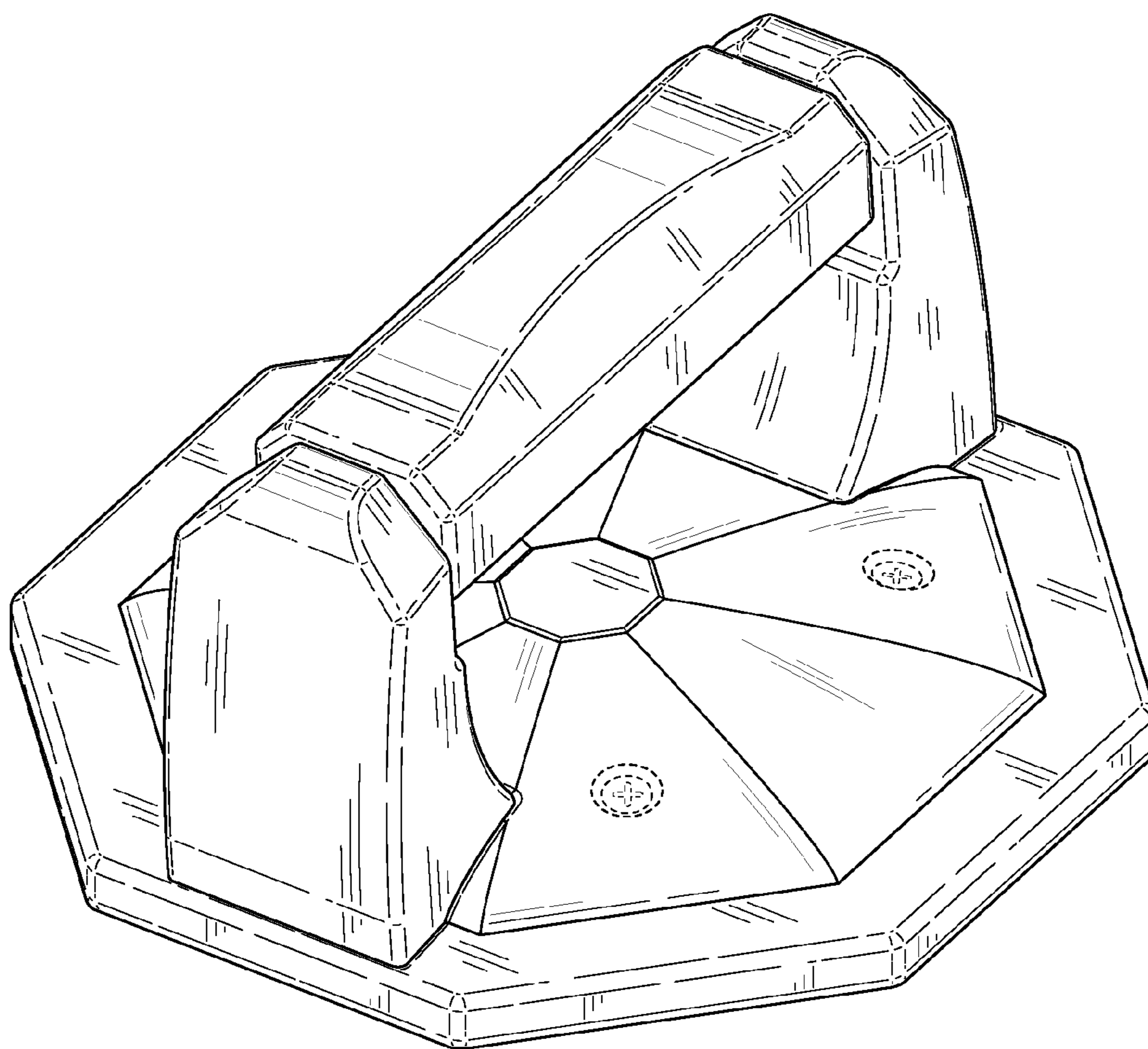


FIG. 1

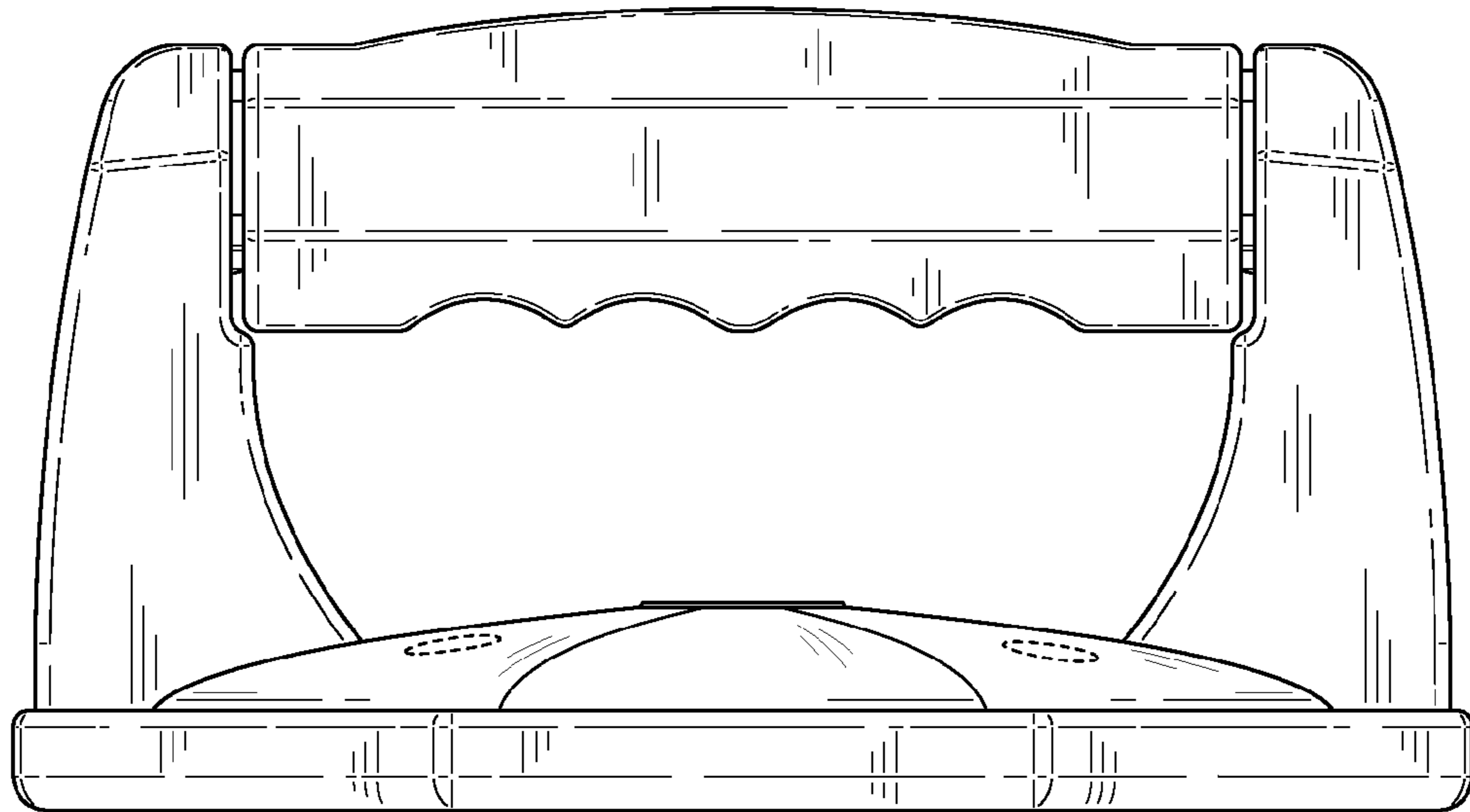


FIG. 2

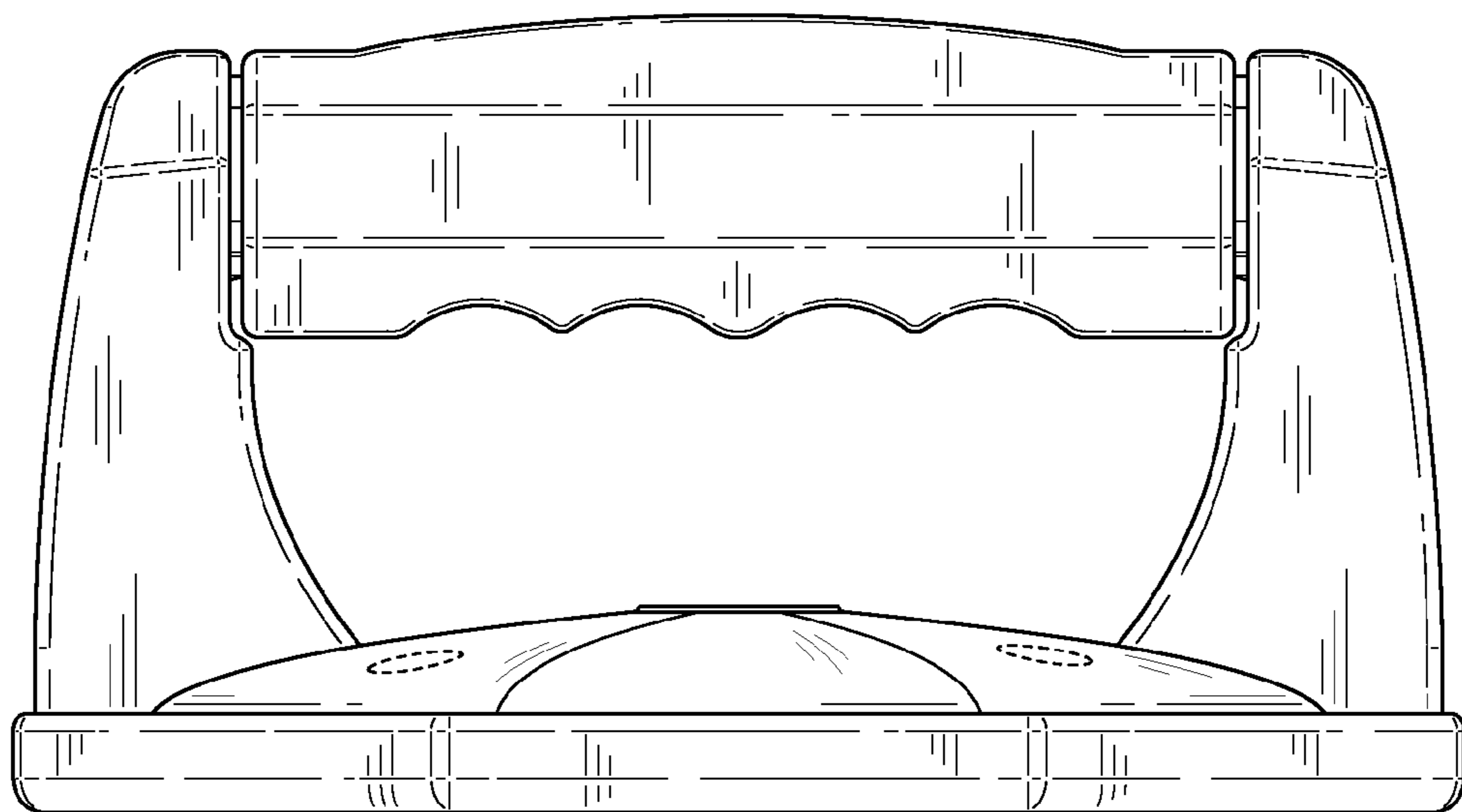


FIG. 3

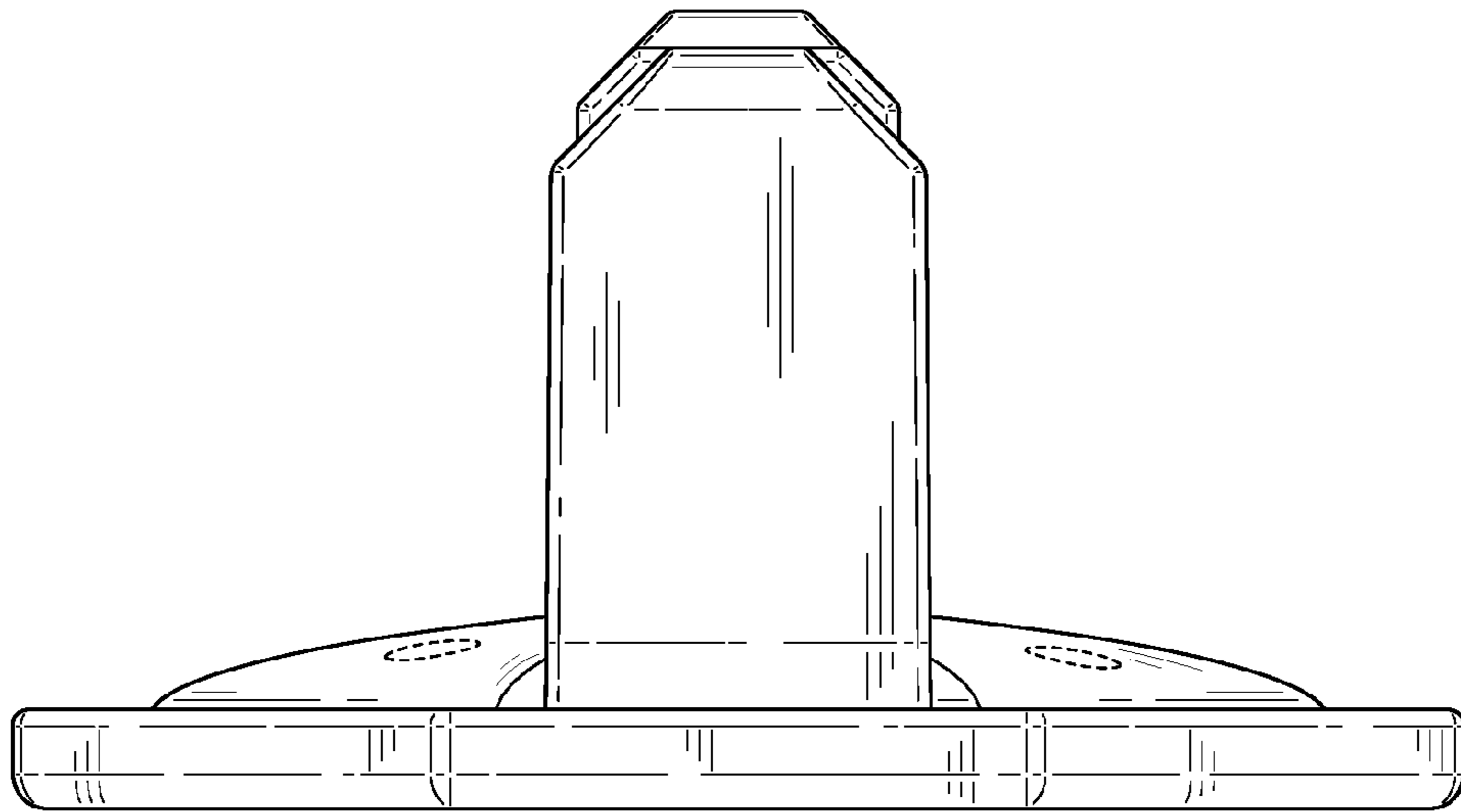


FIG. 4

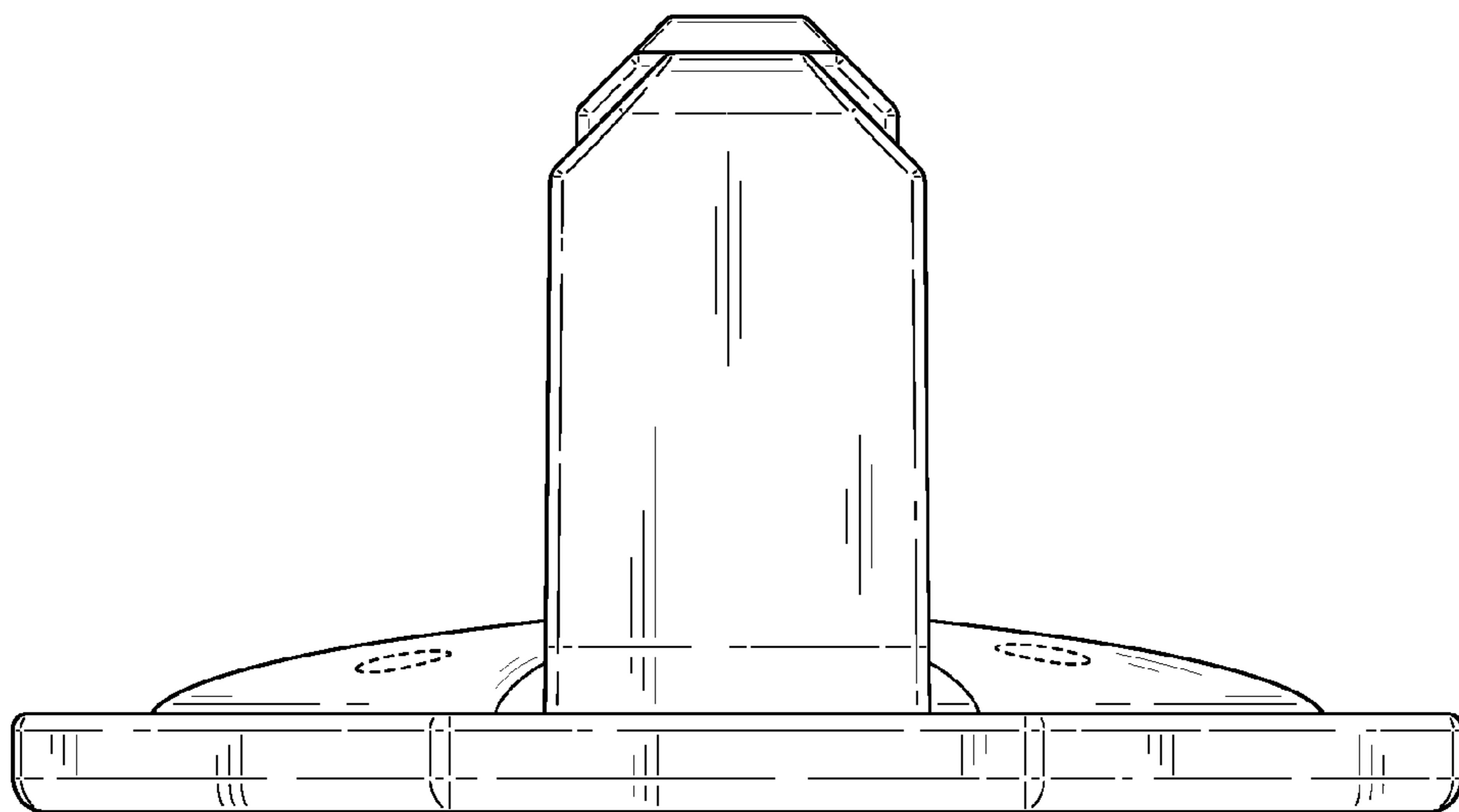


FIG. 5

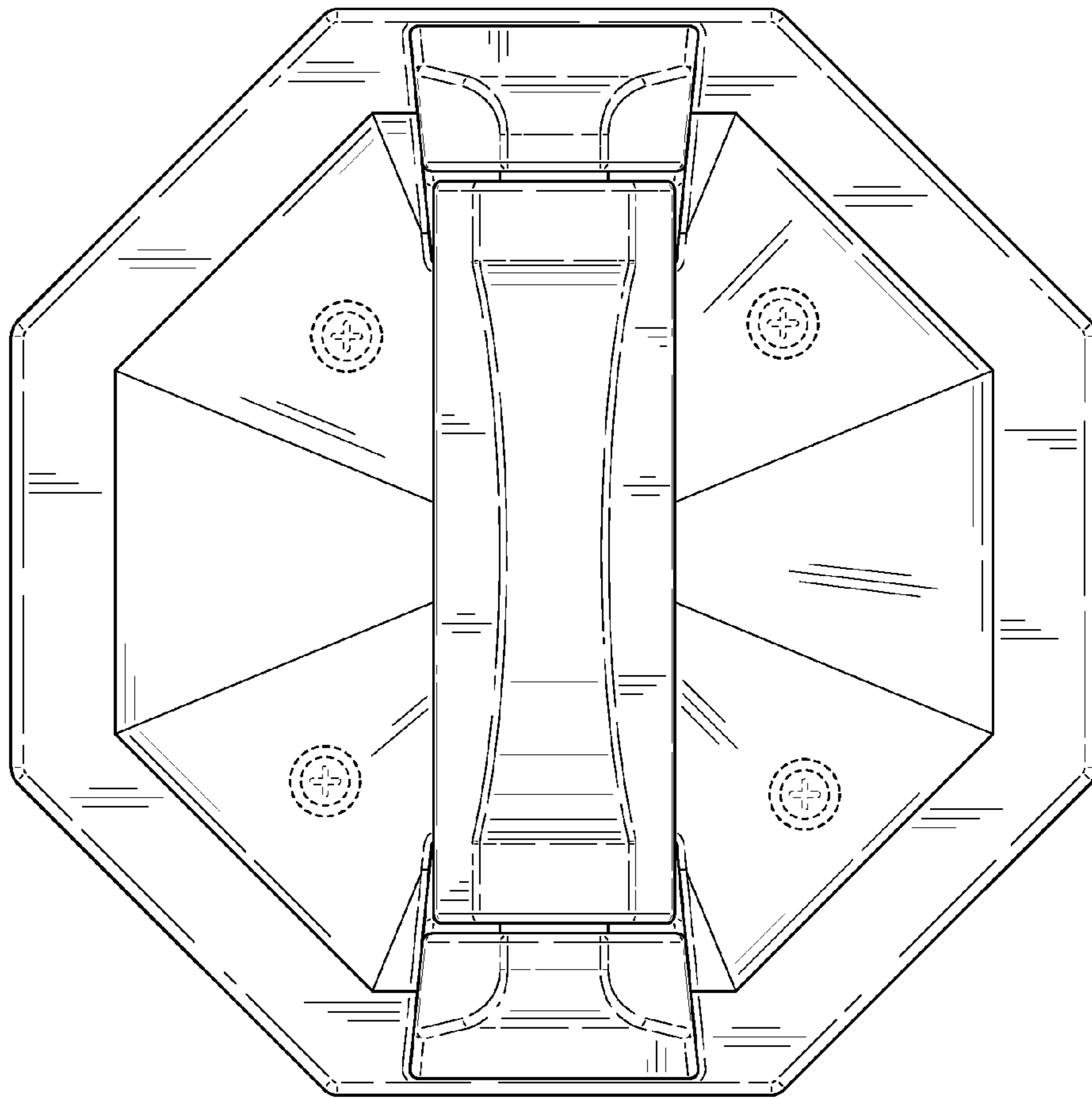


FIG. 6

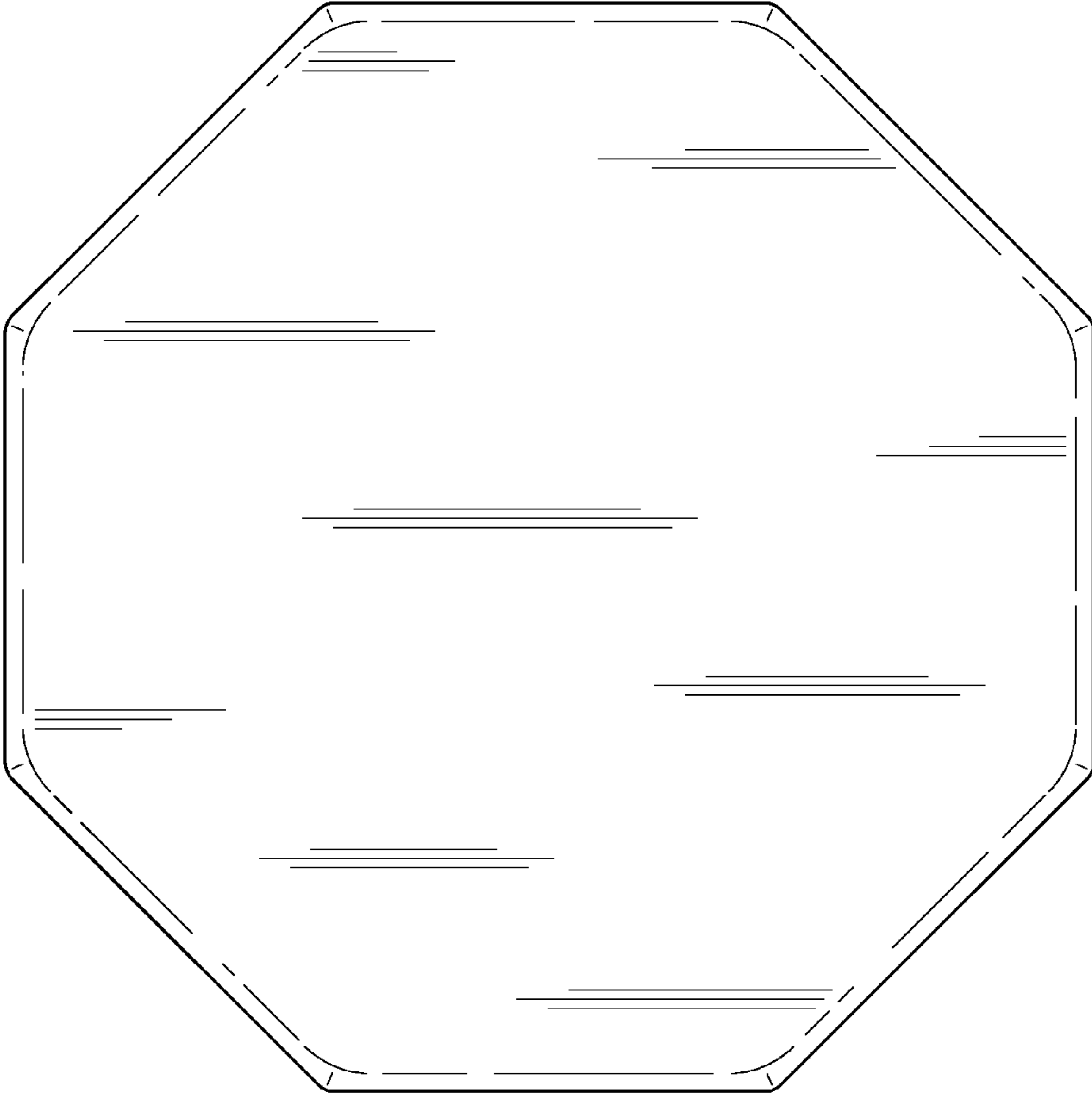


FIG. 7