



US00D685035S

(12) **United States Design Patent**  
**Kanbar**

(10) **Patent No.:** **US D685,035 S**

(45) **Date of Patent:** **\*\* Jun. 25, 2013**

(54) **SPINNING TOP**

(75) Inventor: **Maurice S. Kanbar**, San Francisco, CA (US)

(73) Assignee: **Maurice S. Kanbar Revocable Trust**, San Francisco, CA (US)

(\*\*) Term: **14 Years**

(21) Appl. No.: **29/429,168**

(22) Filed: **Aug. 7, 2012**

(51) **LOC (9) Cl.** ..... **21-01**

(52) **U.S. Cl.**  
USPC ..... **D21/460**

(58) **Field of Classification Search**  
USPC ..... D21/302, 306, 308, 362, 369-375, D21/385, 390, 395, 398, 404, 412, 413, 419, D21/421, 422, 451, 455, 460-464, 488, 530, D21/563, 680-682, 686, 688, 689, 694, 710, D21/779, 789, 794, 800, 811-814, 823, 824, D21/828, 830, 436, 441-444, 760, 775; D6/386, D6/480, 484-488, 491, 495, 498, 502, 509, D6/511, 403; D7/500, 501, 624.1, 553.6, D7/554.2, 600.2, 600.4, 610, 338, 362, 363, D7/367, 698, 388, 389, 396.6, 403, 407, 409; D10/22, 46.1, 60, 122, 123, 126; D11/130, D11/164; D8/352, 358, 360.1, 397-399; 273/288-291, 147, 142 R-142 K, 243-257; 446/236-266, 431-449, 450-453, 454-471, 446/46-48; 472/1-47, 135; D23/259-262, D23/303, 304, 308; D15/122, 126, 138, 143; D9/434-456; D19/36, 54; D32/53-59; 473/588, 473/589; D22/113-115

See application file for complete search history.

(56) **References Cited**

U.S. PATENT DOCUMENTS

459,997	A *	9/1891	Cromwell	273/108
537,887	A *	4/1895	Bradley	446/243
845,529	A *	2/1907	Cunningham	446/245
1,349,226	A *	8/1920	Sauter	446/259
D57,052	S *	2/1921	Ingram et al.	D9/452
1,501,276	A *	7/1924	Cruver	273/147

(Continued)

FOREIGN PATENT DOCUMENTS

DE	29613173	U1 *	9/1996
DE	19636476	A1 *	3/1998

(Continued)

*Primary Examiner* — Catherine Tuttle

(74) *Attorney, Agent, or Firm* — Litts Law Firm

(57) **CLAIM**

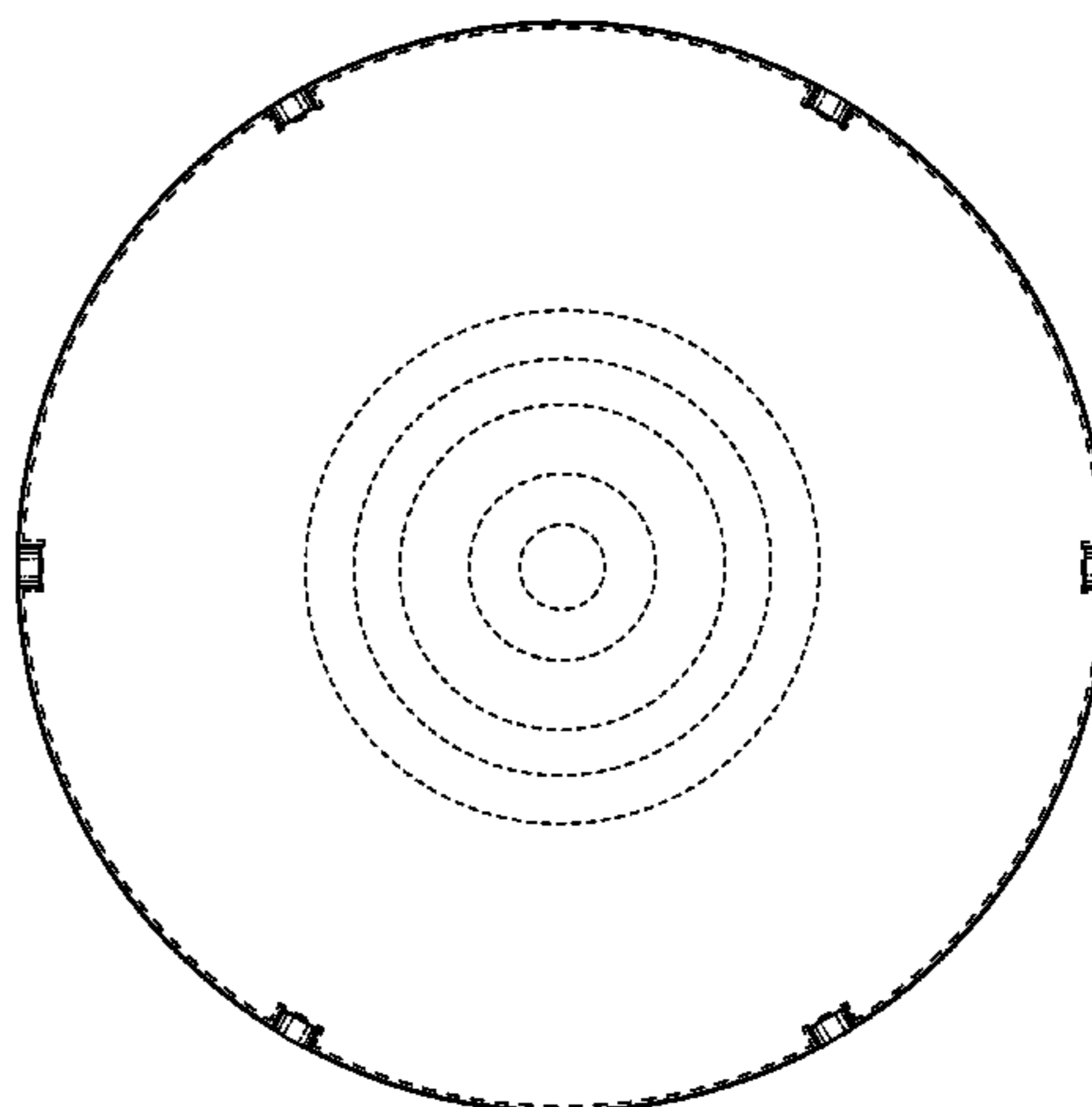
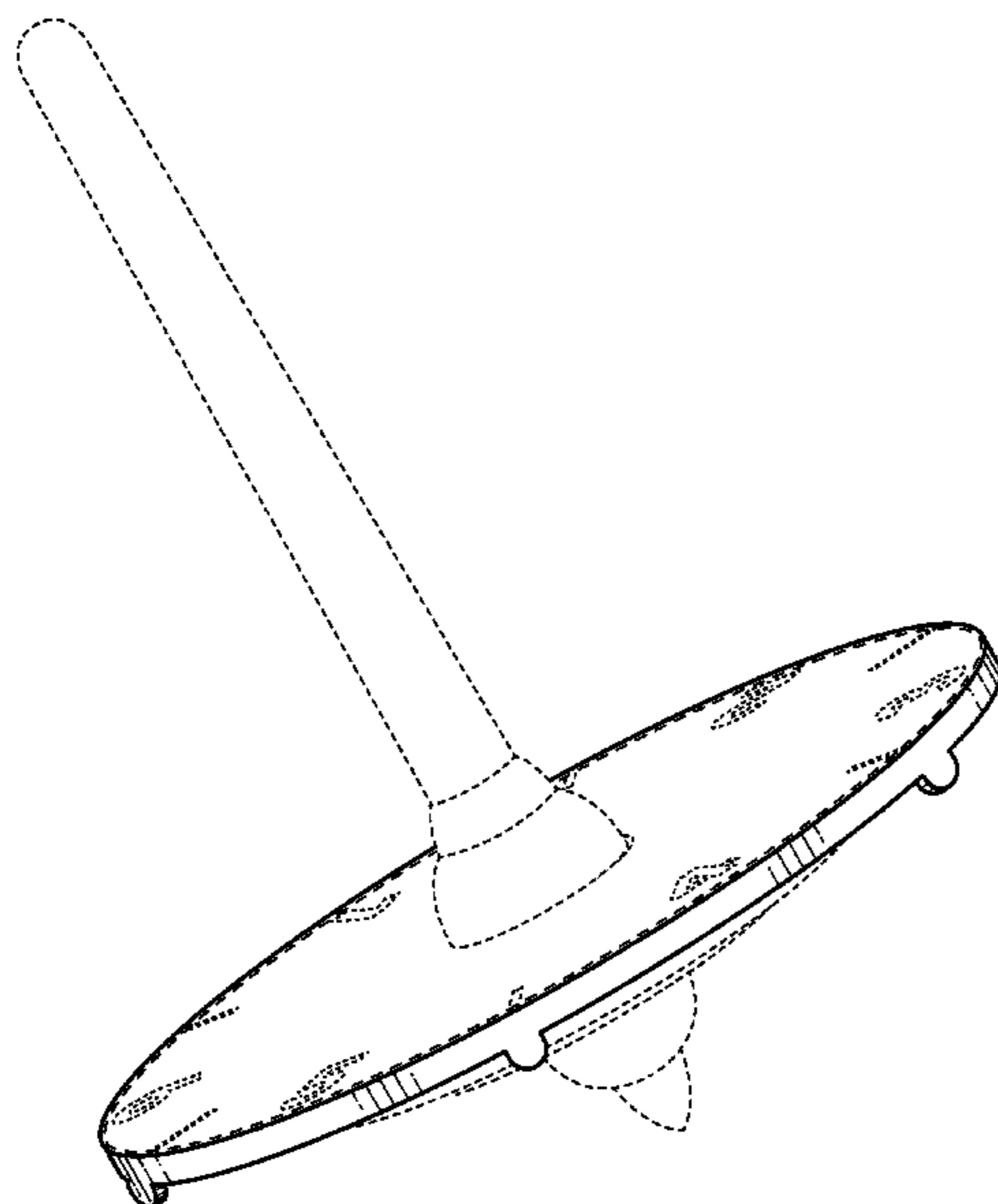
The ornamental design for a spinning top, as shown and described.

**DESCRIPTION**

FIG. 1 is a front perspective view of a first embodiment of a spinning top showing my new design; FIG. 2 is a top plan view thereof; FIG. 3 is a bottom plan view thereof; FIG. 4 is a front elevation view thereof, the opposing rear elevation view being the same; FIG. 5 is a right side elevation view thereof, the opposing left side elevation view being the same; FIG. 6 is a top plan view of a second embodiment of a spinning top showing my new design; FIG. 7 is a bottom plan view thereof; and, FIG. 8 is a front elevation view thereof, the rear elevation view, right side elevation view, and left side elevation view being the same.

The broken lines in the figures are included for the purpose of illustrating portions of the spinning top that form no part of the claimed design.

**1 Claim, 12 Drawing Sheets**



# US D685,035 S

Page 2

---

## U.S. PATENT DOCUMENTS

D197,078 S \* 12/1963 McLeod ..... D10/8  
D200,325 S \* 2/1965 Fuchs ..... D21/460  
3,357,590 A \* 12/1967 Safford ..... 220/23.83  
D209,932 S \* 1/1968 Greltzer et al. .... D32/53  
D263,792 S \* 4/1982 Frieberg ..... D8/399  
4,669,995 A \* 6/1987 Lombard ..... 446/48  
D296,912 S \* 7/1988 Holley ..... D21/464  
5,014,990 A \* 5/1991 Kaser et al. .... 473/588  
D322,011 S \* 12/1991 Asner ..... D7/501

D660,654 S \* 5/2012 Radinsky ..... D7/624.1

## FOREIGN PATENT DOCUMENTS

EM 001746348-0001 \* 9/2010  
EM 001746348-0002 \* 9/2010  
GB 2250212 A \* 6/1992  
JP 2004097745 A \* 4/2004  
JP D1214542 \* 8/2004

\* cited by examiner

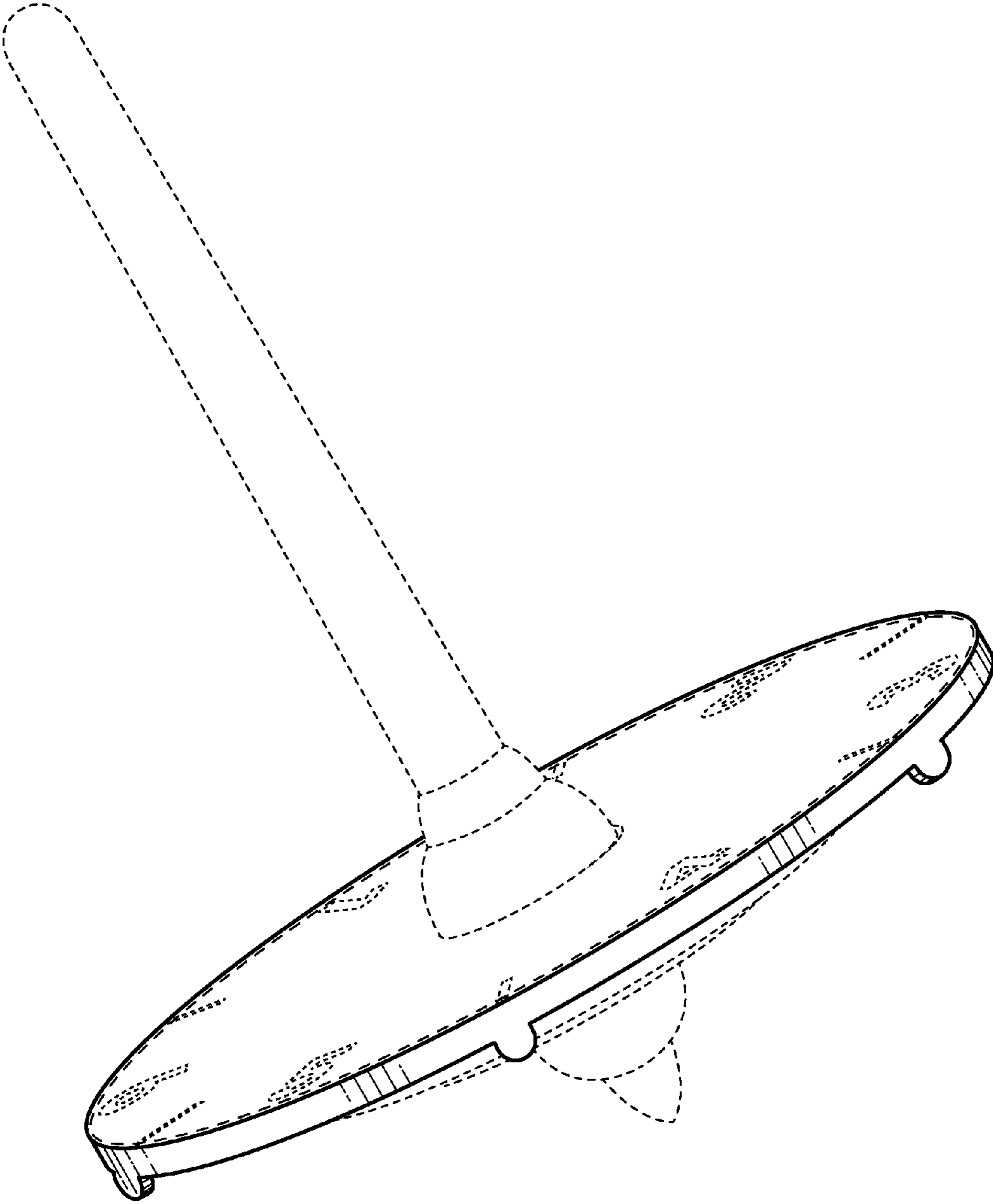


FIG. 1

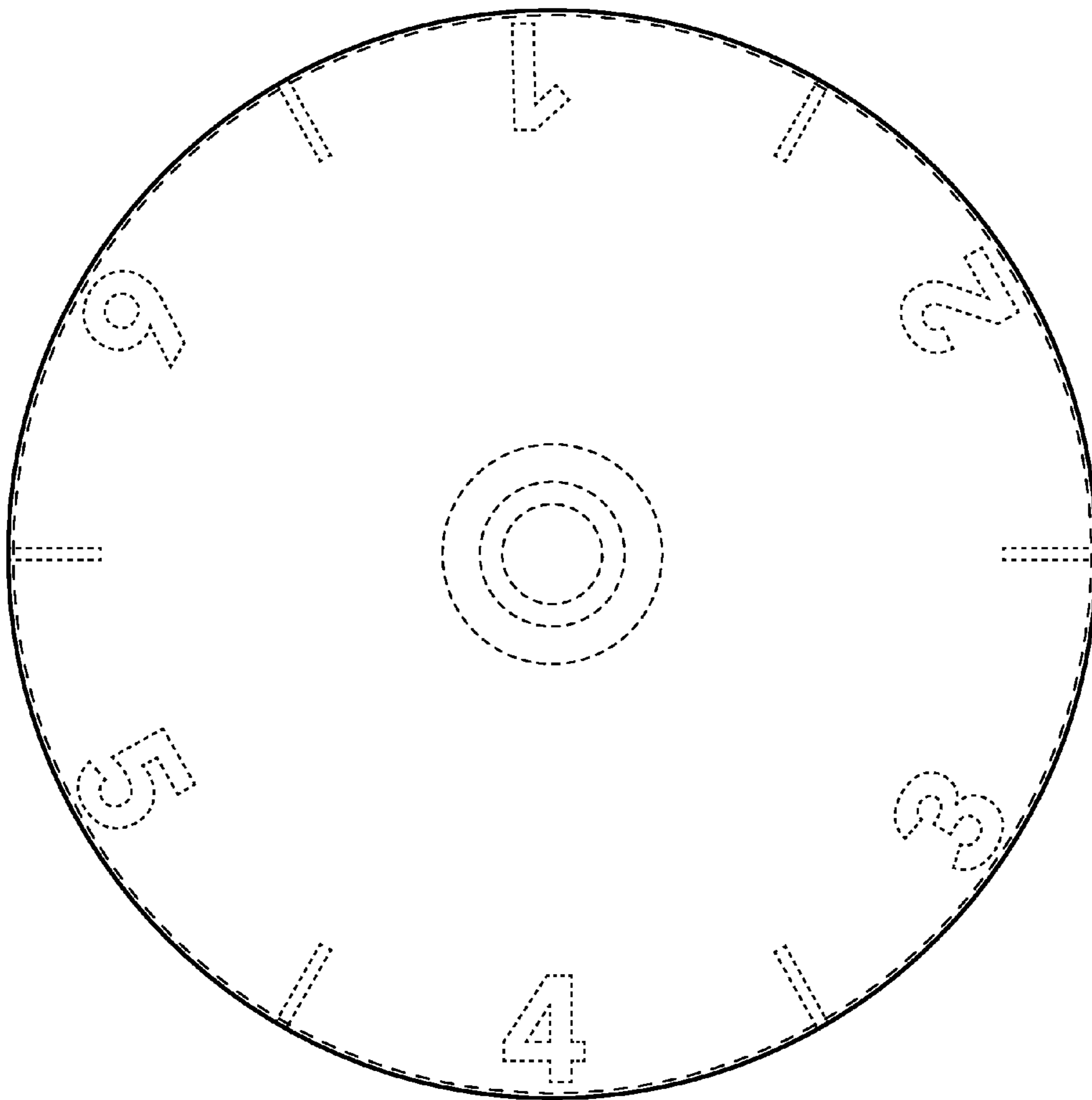


FIG. 2

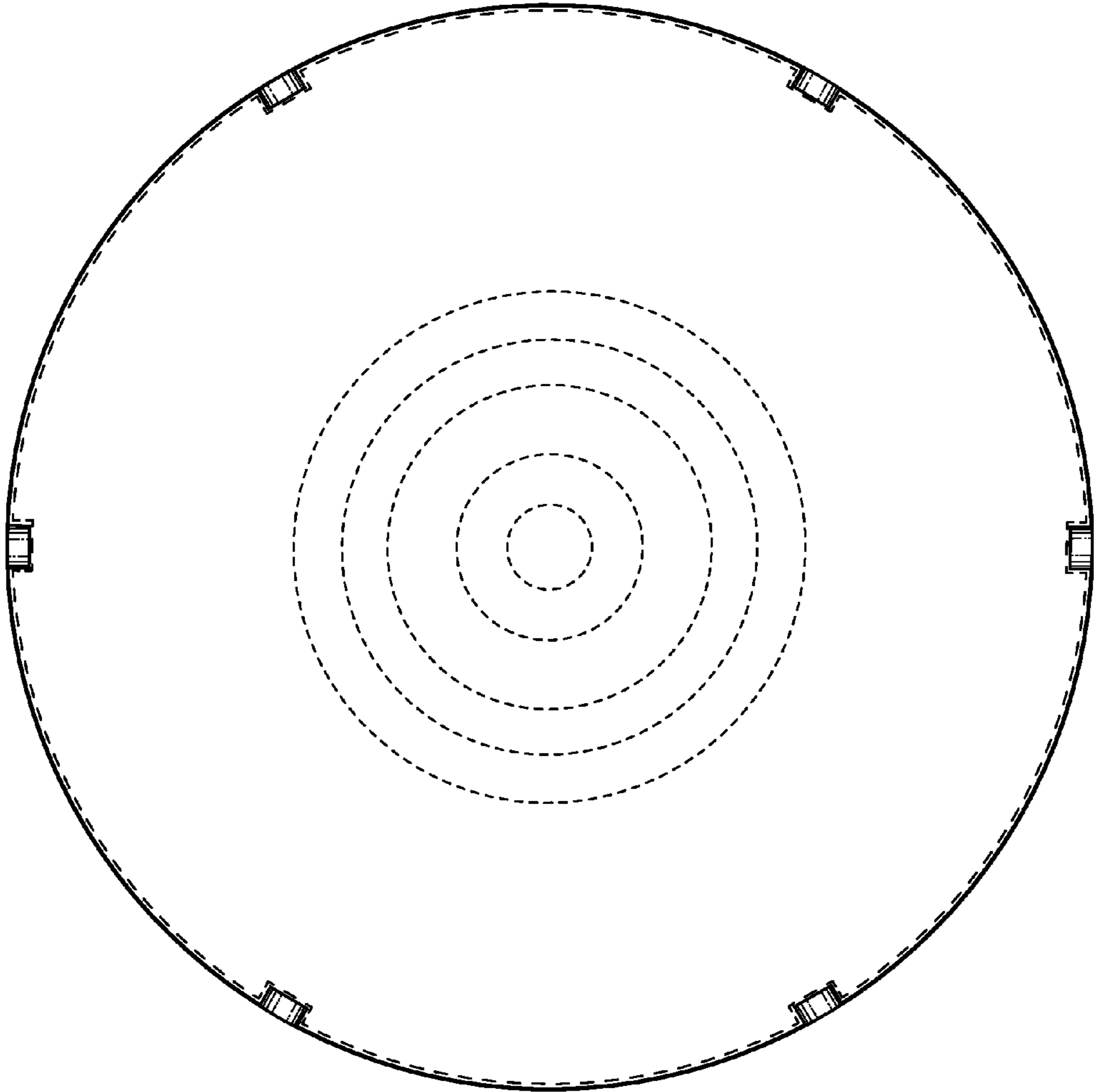


FIG. 3

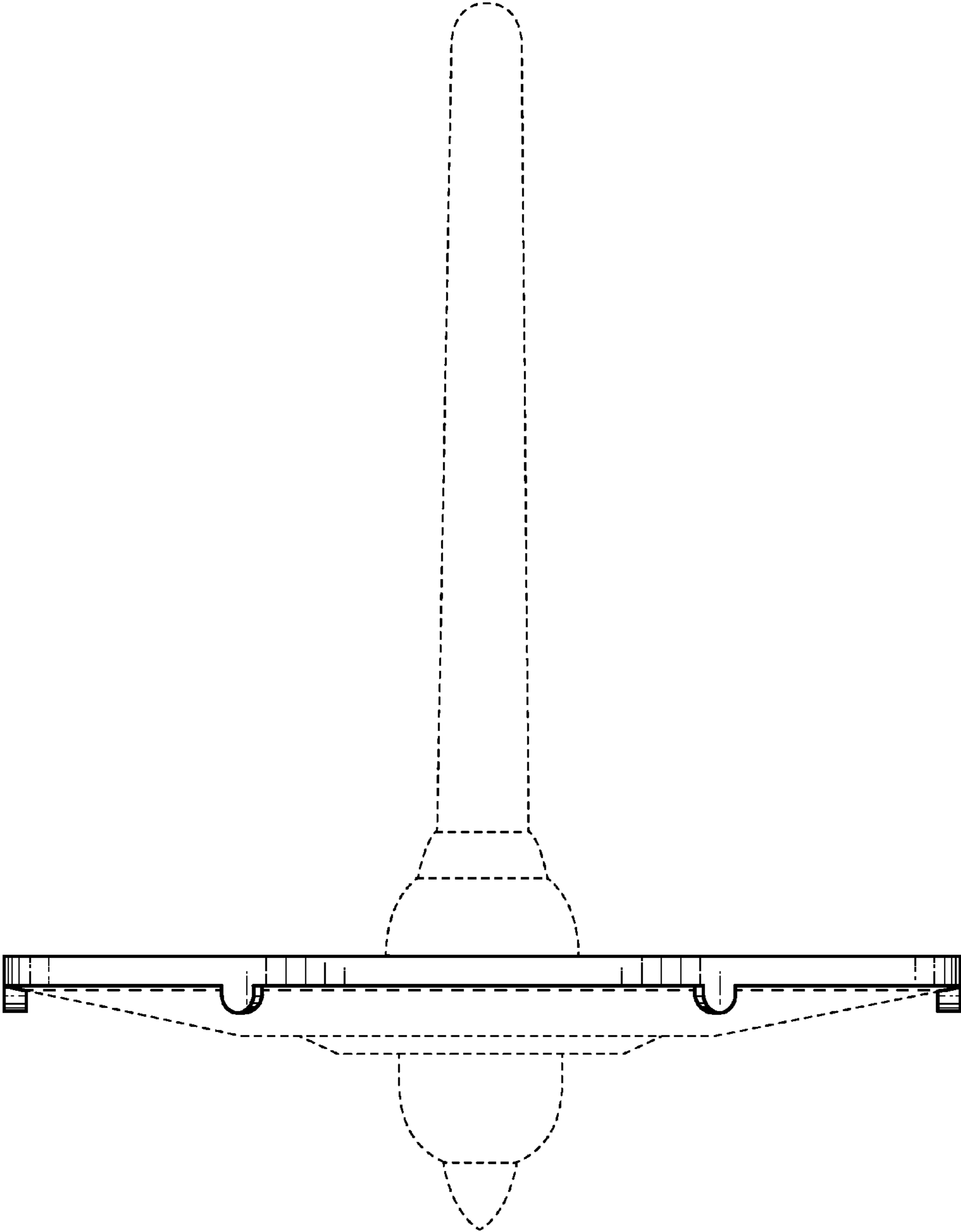


FIG. 4

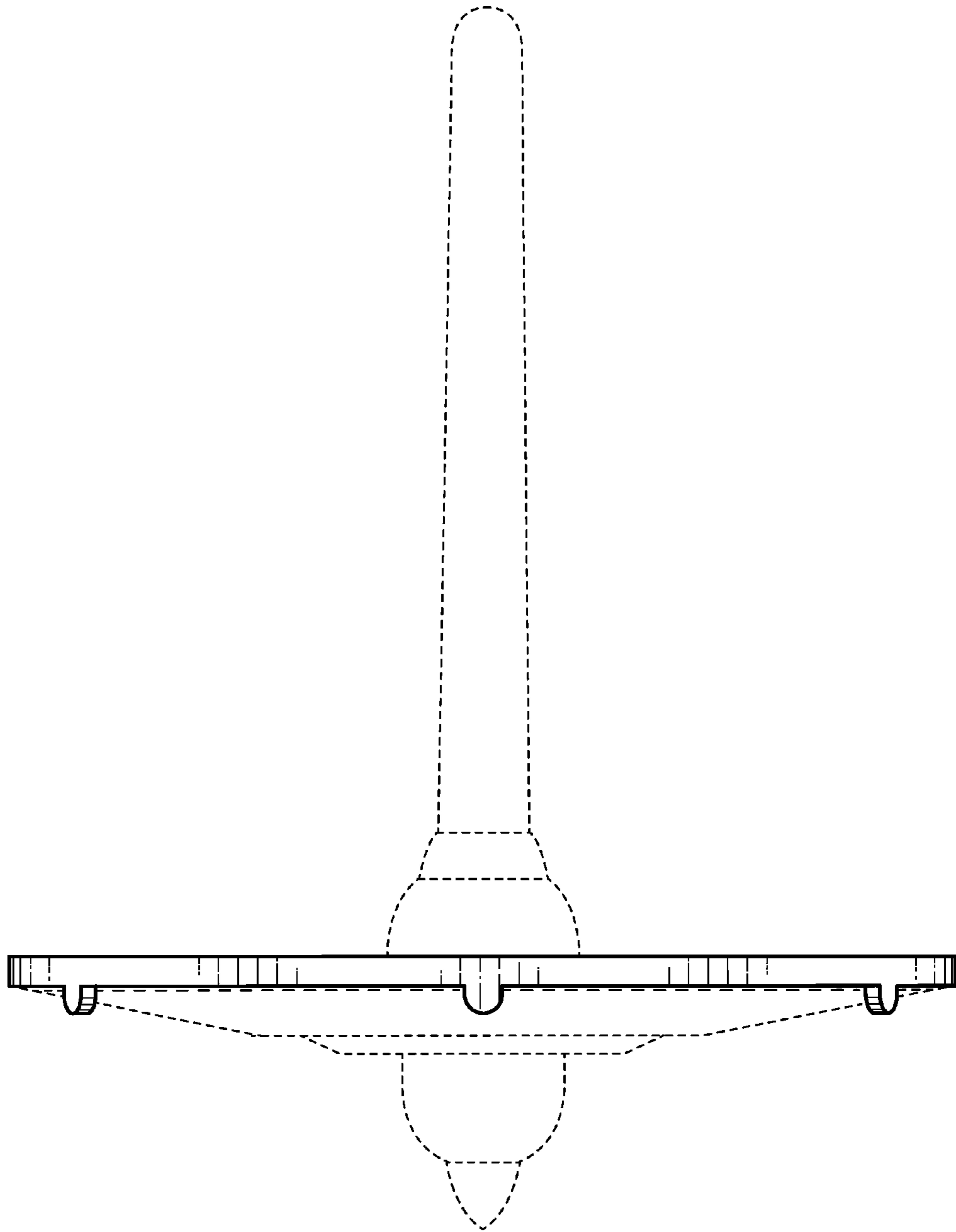


FIG. 5

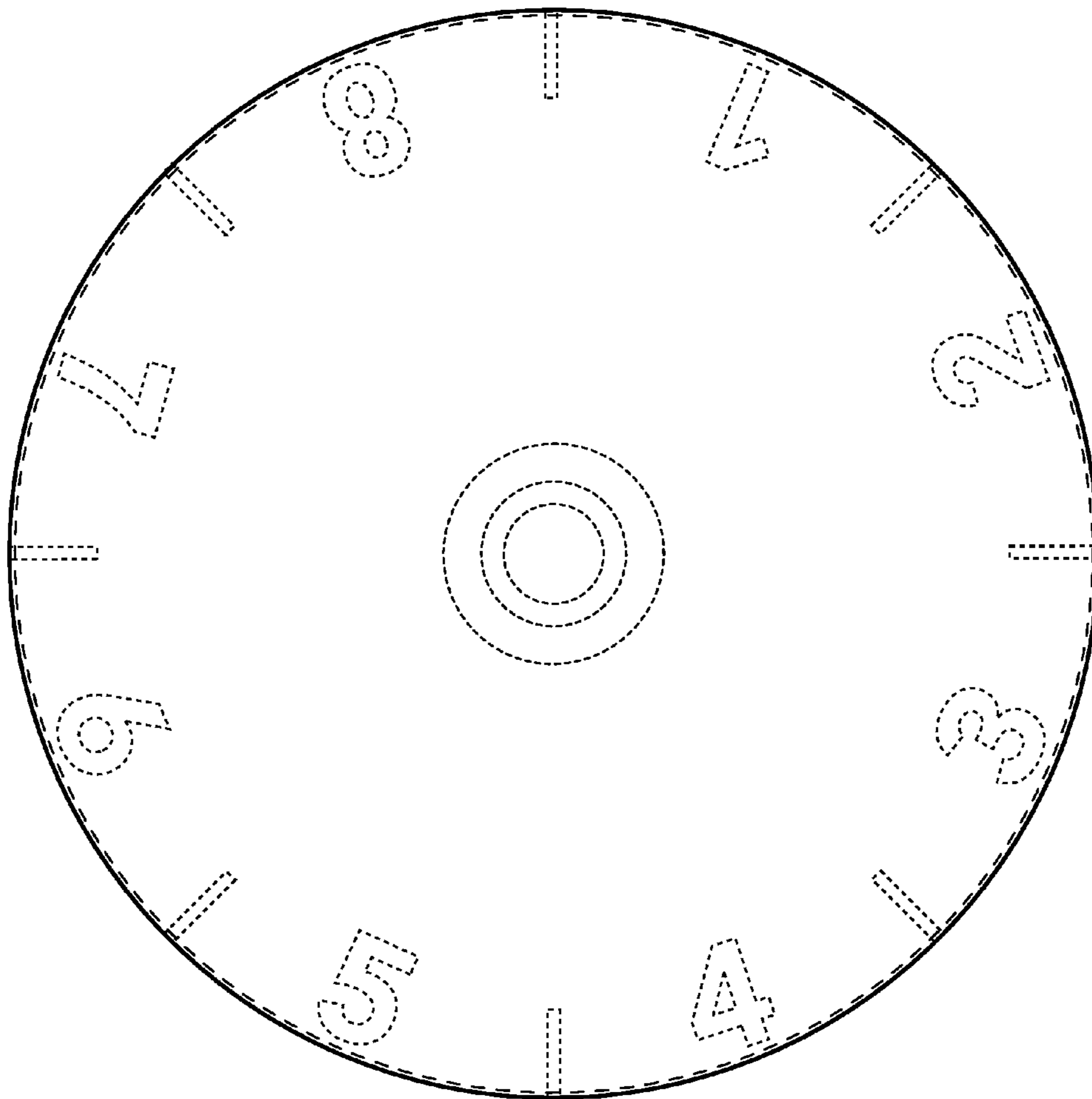


FIG. 6



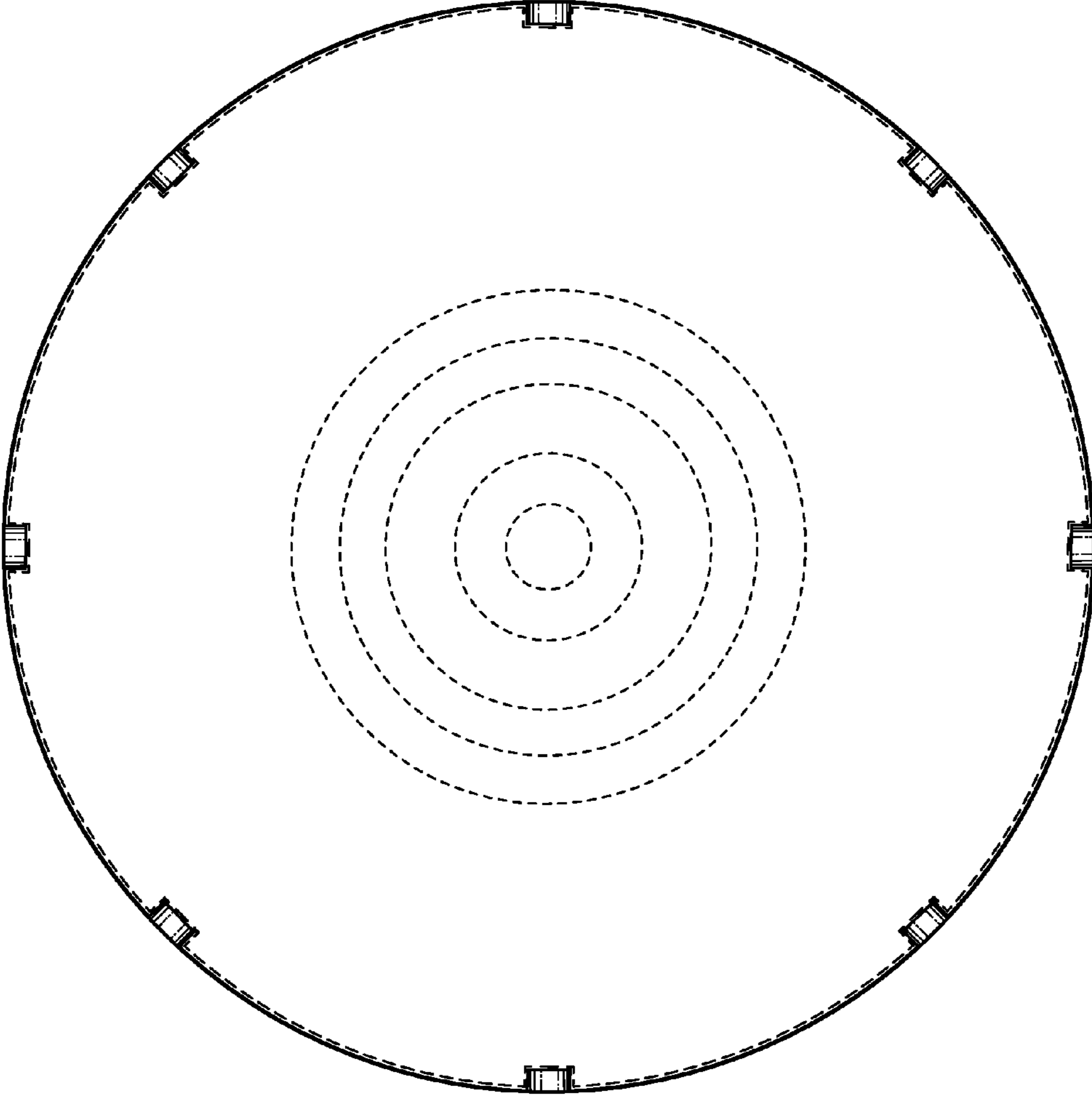


FIG. 7

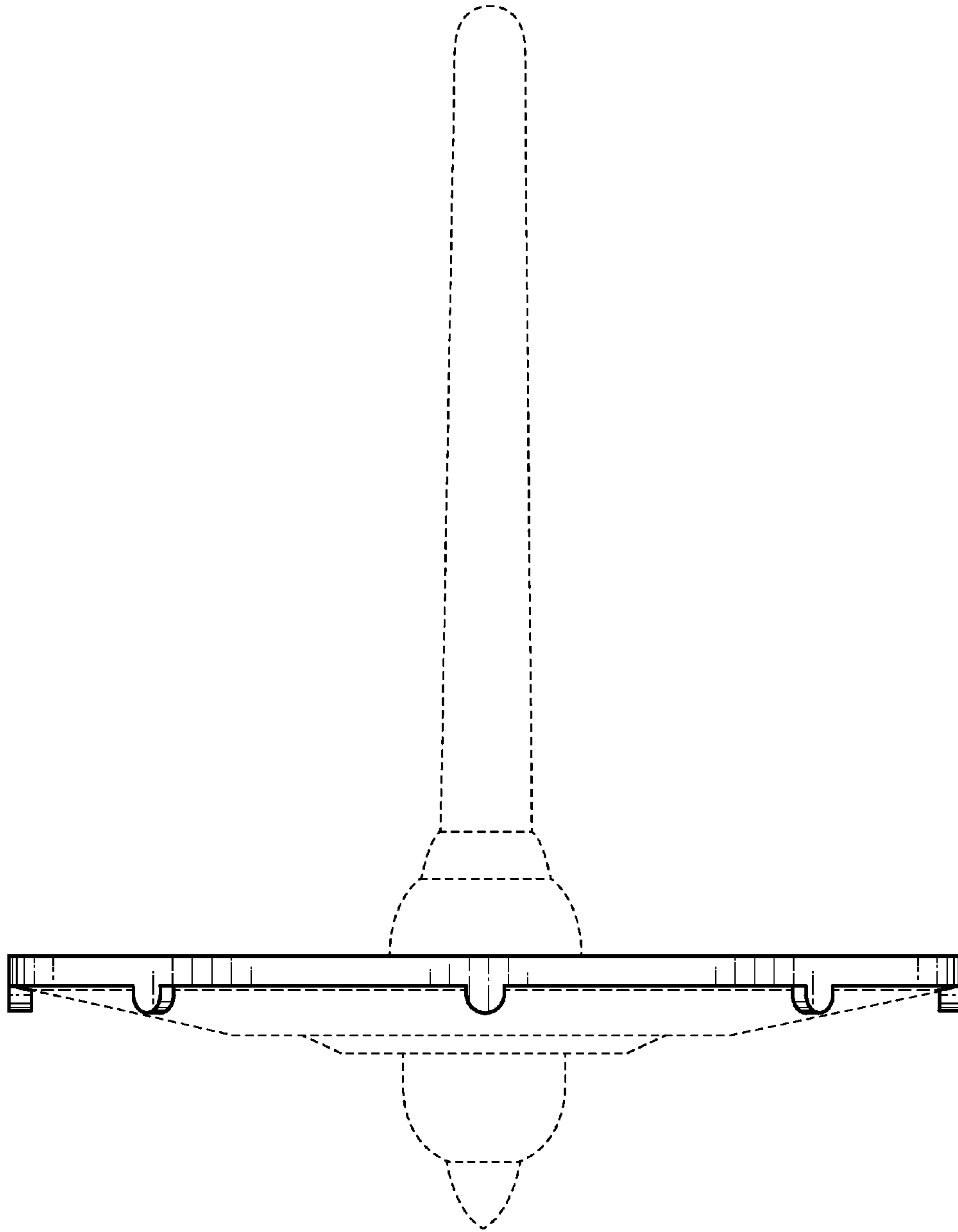


FIG. 8

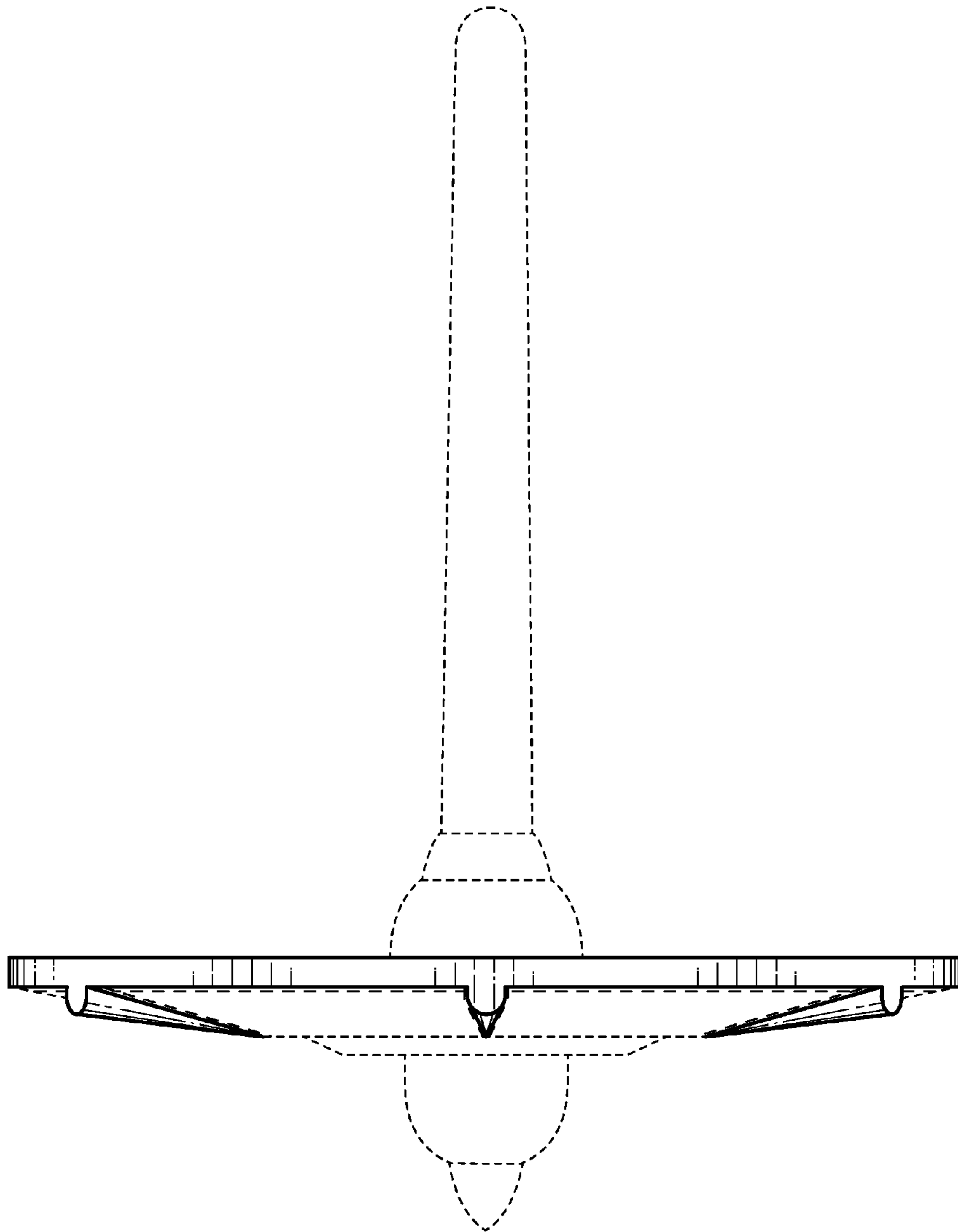


FIG. 9

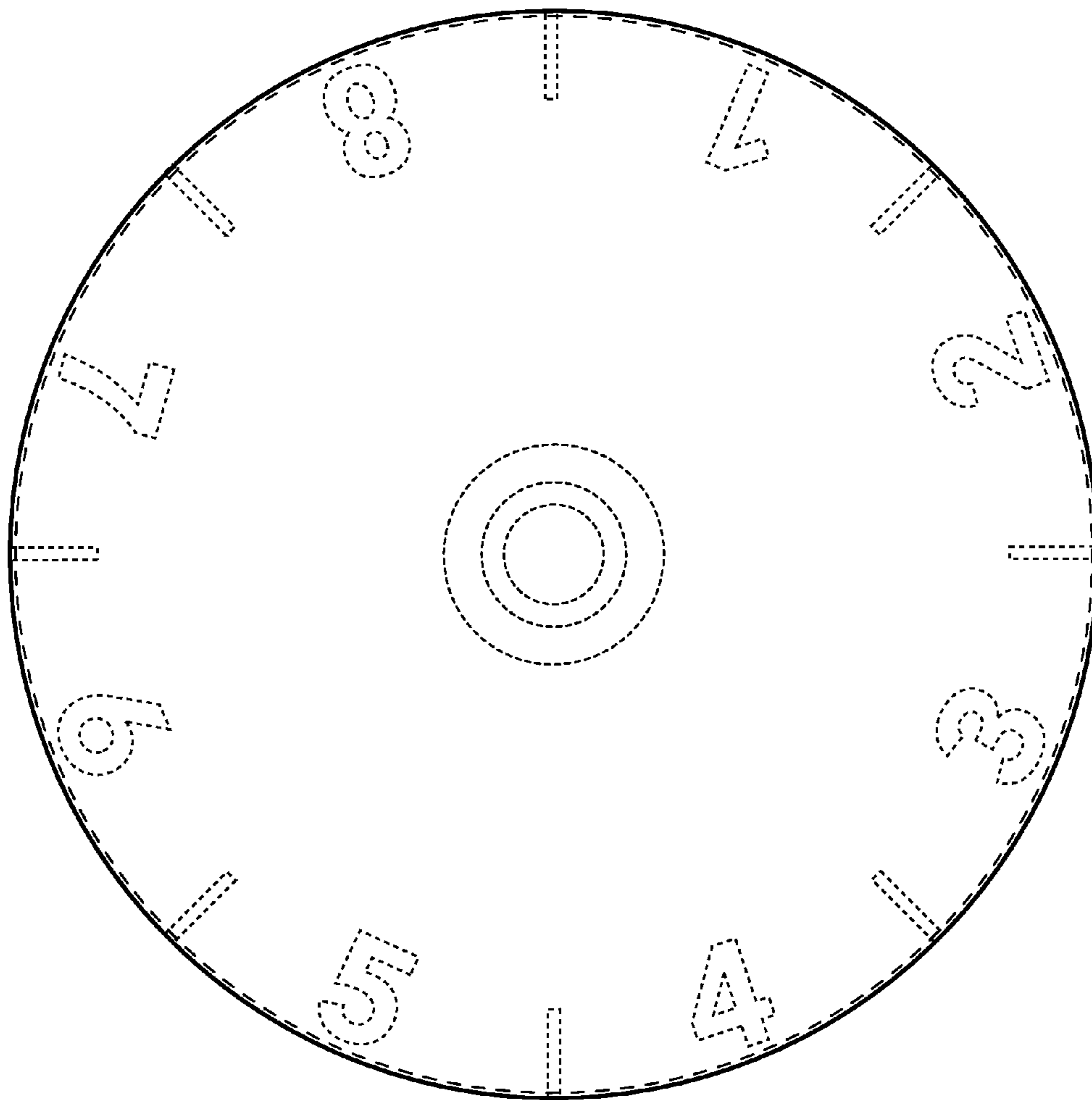


FIG. 10

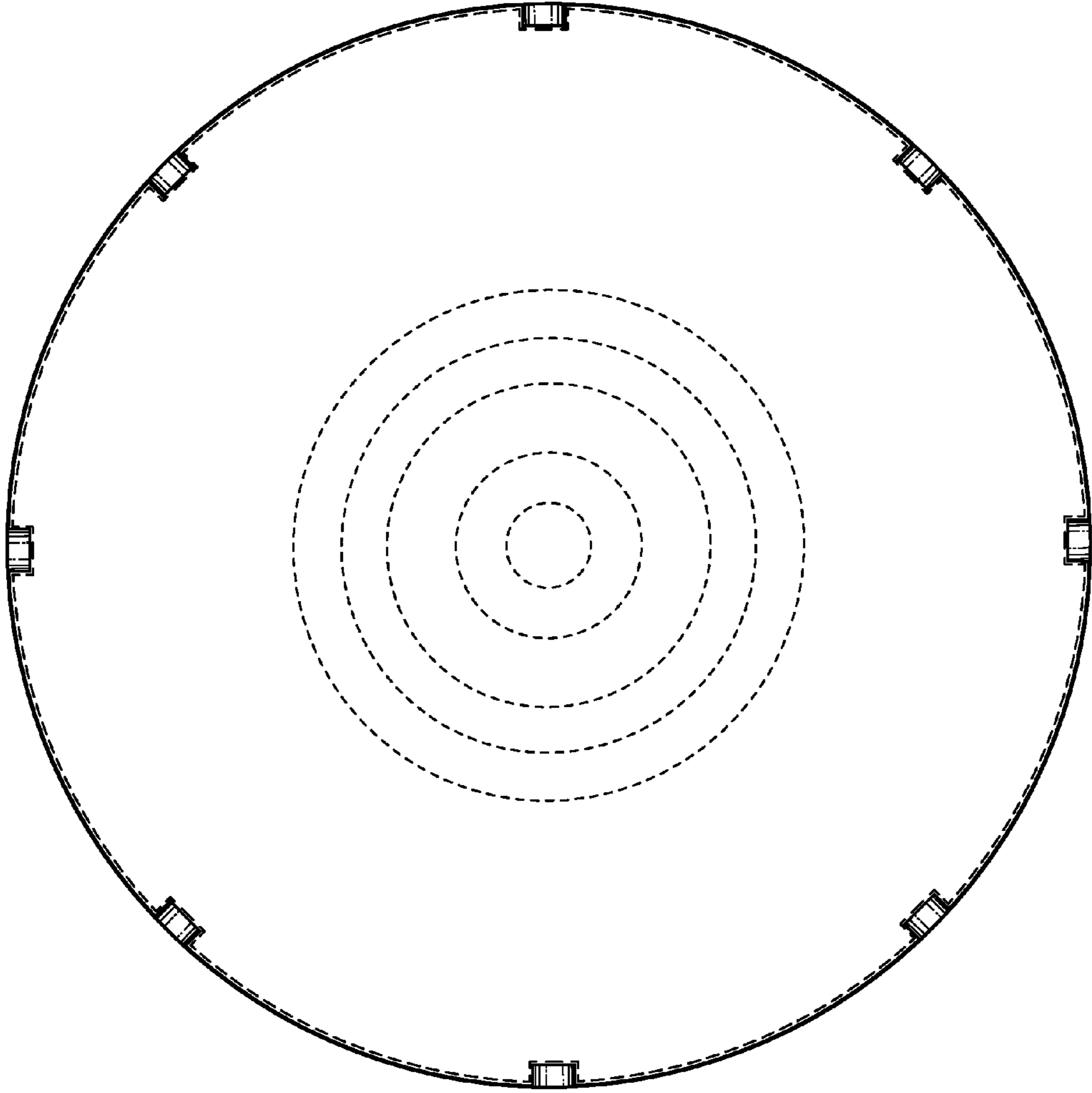


FIG. 11

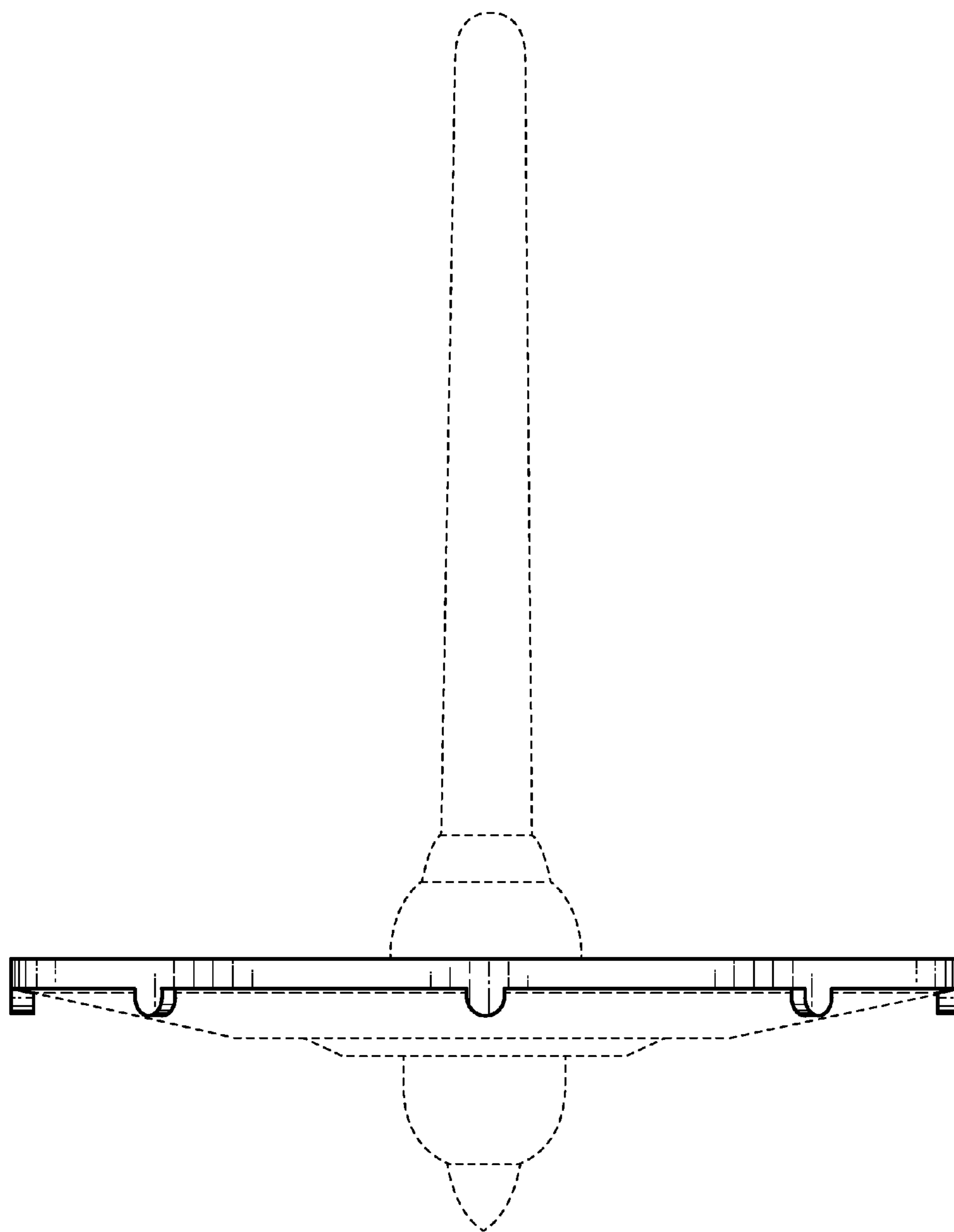


FIG. 12