



US00D685033S

(12) **United States Design Patent**
Wudtke

(10) **Patent No.:** **US D685,033 S**
(45) **Date of Patent:** **** Jun. 25, 2013**

(54) **GAMING MACHINE CABINET**

(56) **References Cited**

(71) Applicant: **Bally Gaming, Inc.**, Las Vegas, NV
(US)
(72) Inventor: **Karl Wudtke**, Henderson, NV (US)
(73) Assignee: **Bally Gaming, Inc.**, Las Vegas, NV
(US)

U.S. PATENT DOCUMENTS

D495,755 S *	9/2004	Wurz et al.	D21/370
D498,267 S *	11/2004	Crouch	D21/370
D508,961 S *	8/2005	Gatto et al.	D21/369
D509,254 S *	9/2005	Rasmussen et al.	D21/369
D560,725 S *	1/2008	Johnson	D21/370
D604,368 S *	11/2009	Lesley et al.	D21/370
D646,337 S *	10/2011	Kelly et al.	D21/370
D649,605 S *	11/2011	Terpstra et al.	D21/370

* cited by examiner

(**) Term: **14 Years**

Primary Examiner — Sandra Morris

(21) Appl. No.: **29/432,565**

(74) *Attorney, Agent, or Firm* — Marvin Hein

(22) Filed: **Sep. 17, 2012**

(57) **CLAIM**

The ornamental design for a gaming machine cabinet, as shown and described.

(51) **LOC (9) Cl.** **21-03**

DESCRIPTION

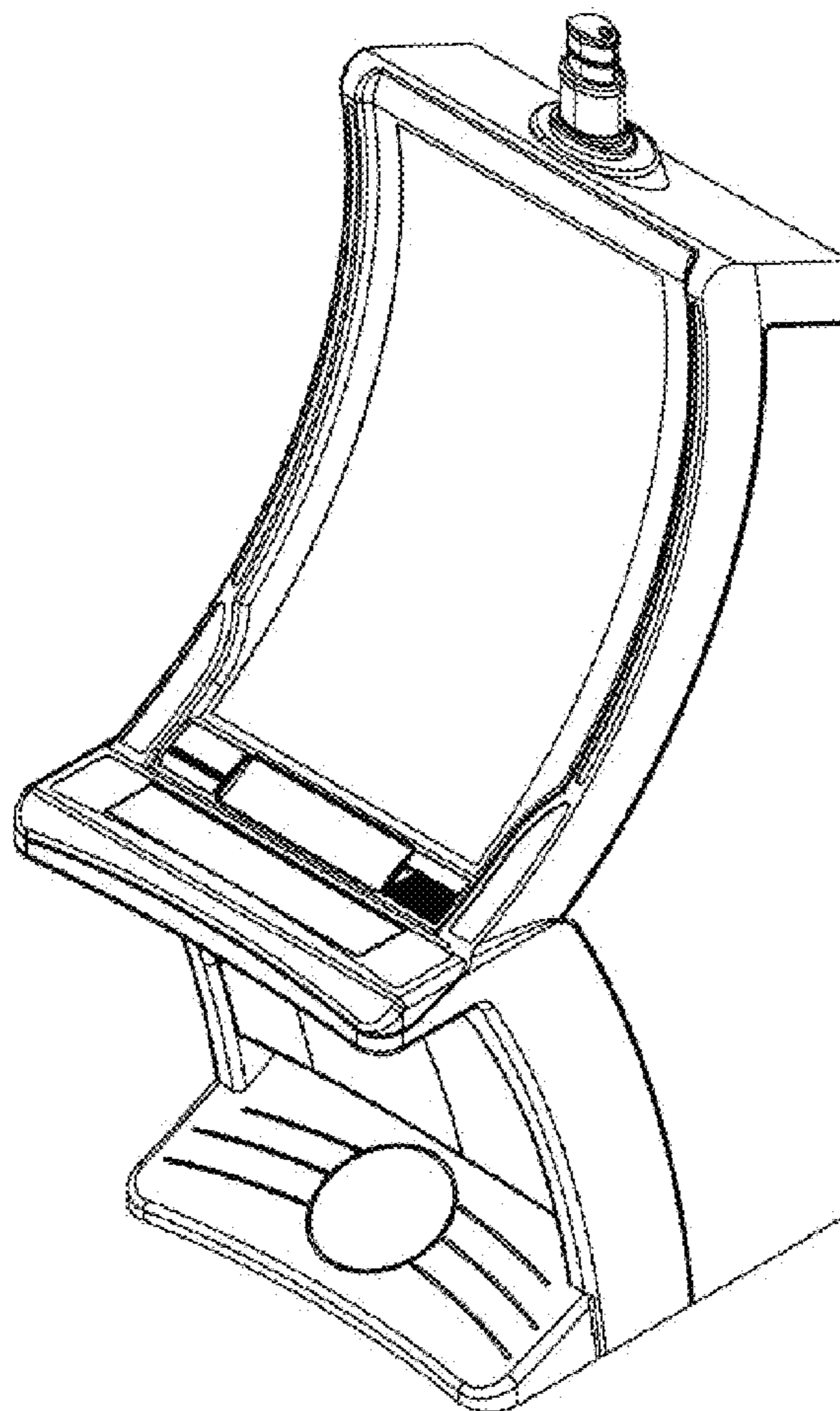
(52) **U.S. Cl.**
USPC **D21/370**

FIG. 1 is a perspective view of a gaming machine cabinet, showing my new design;
FIG. 2 is a top view thereof;
FIG. 3 is a front elevational view thereof;
FIG. 4 is a right side elevational view thereof; and,
FIG. 5 is a rear elevational view thereof.

(58) **Field of Classification Search**
USPC D21/324-329, 369-370, 385; 463/16-17,
463/20, 31, 46-47

See application file for complete search history.

1 Claim, 5 Drawing Sheets



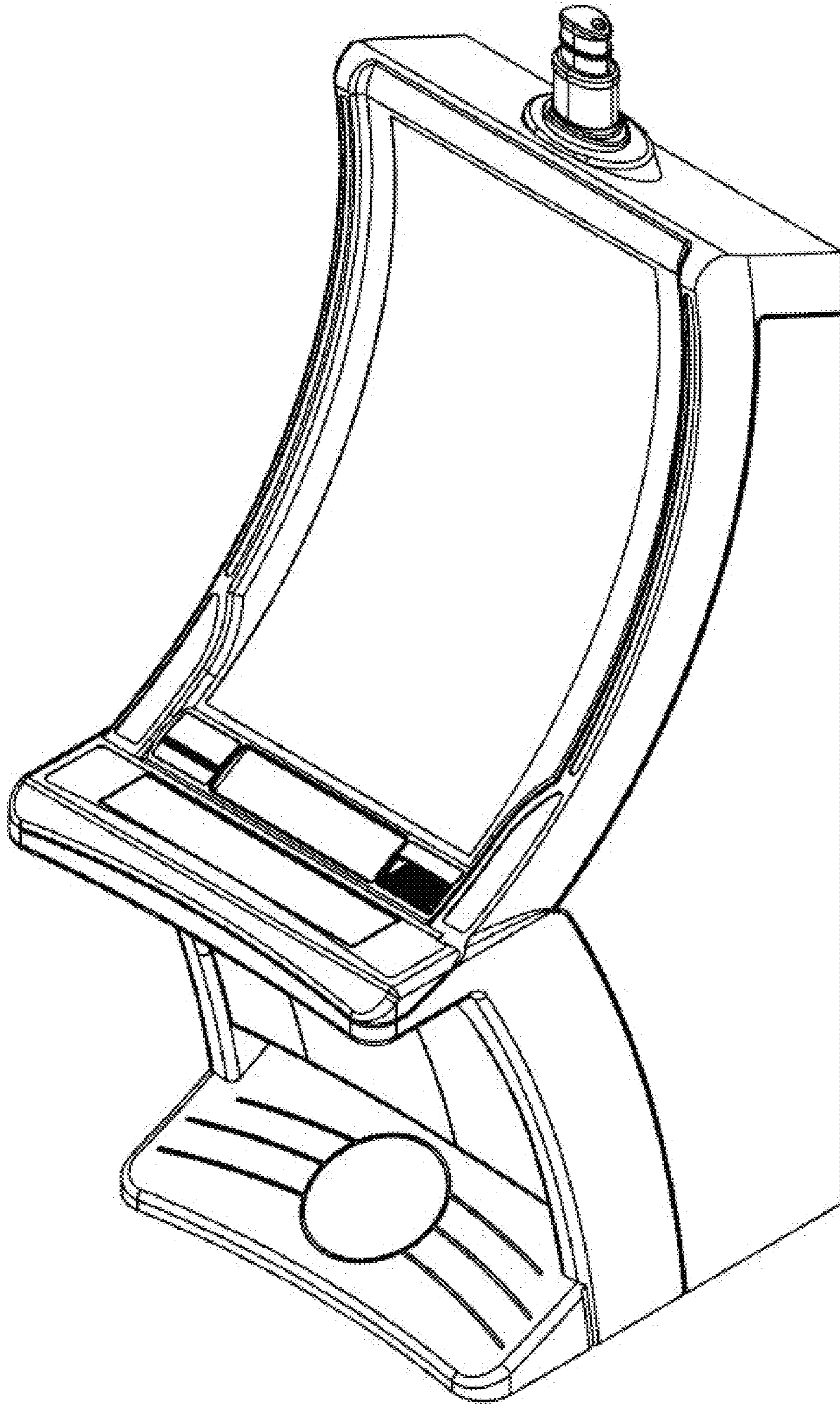


FIG. 1

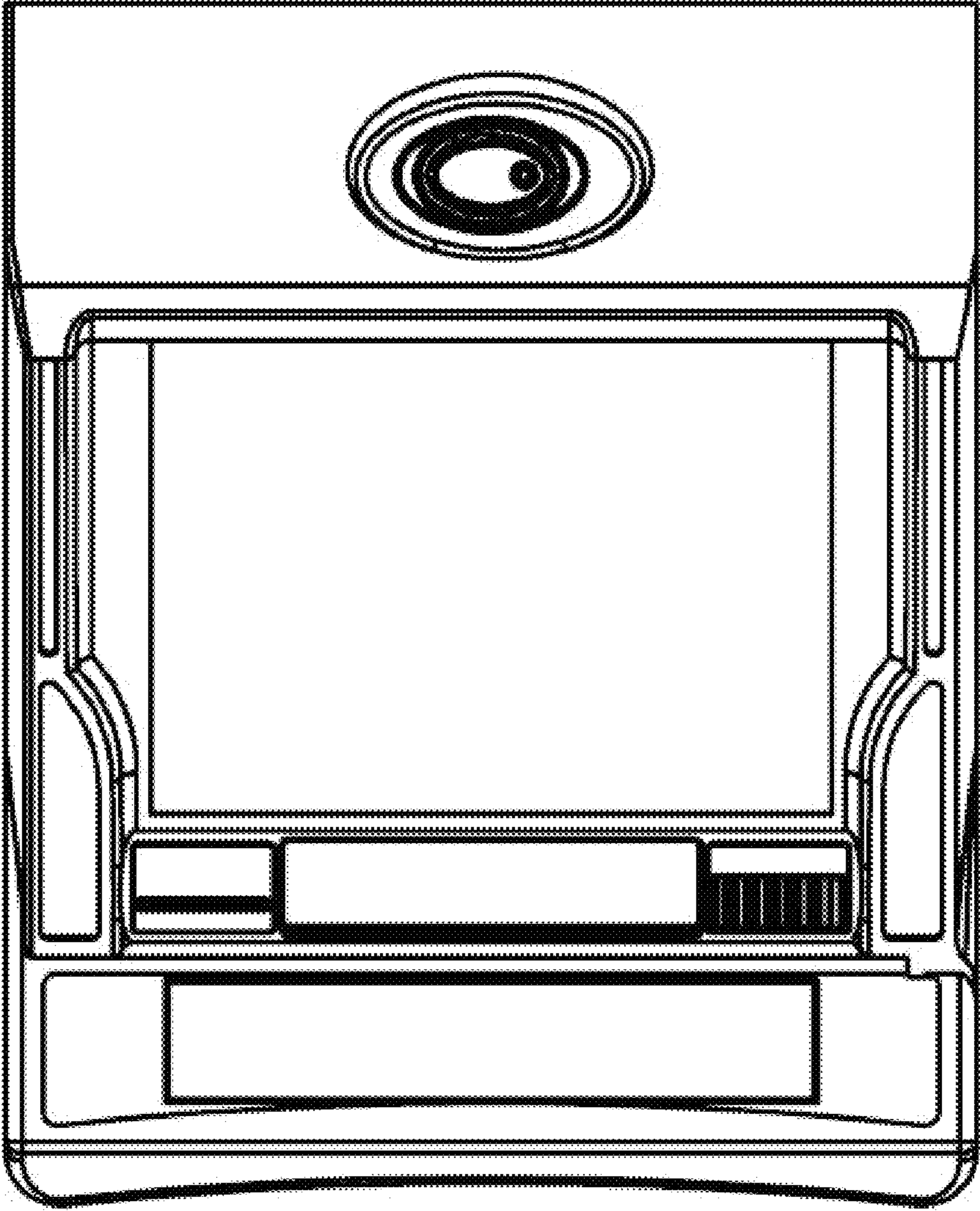


FIG. 2

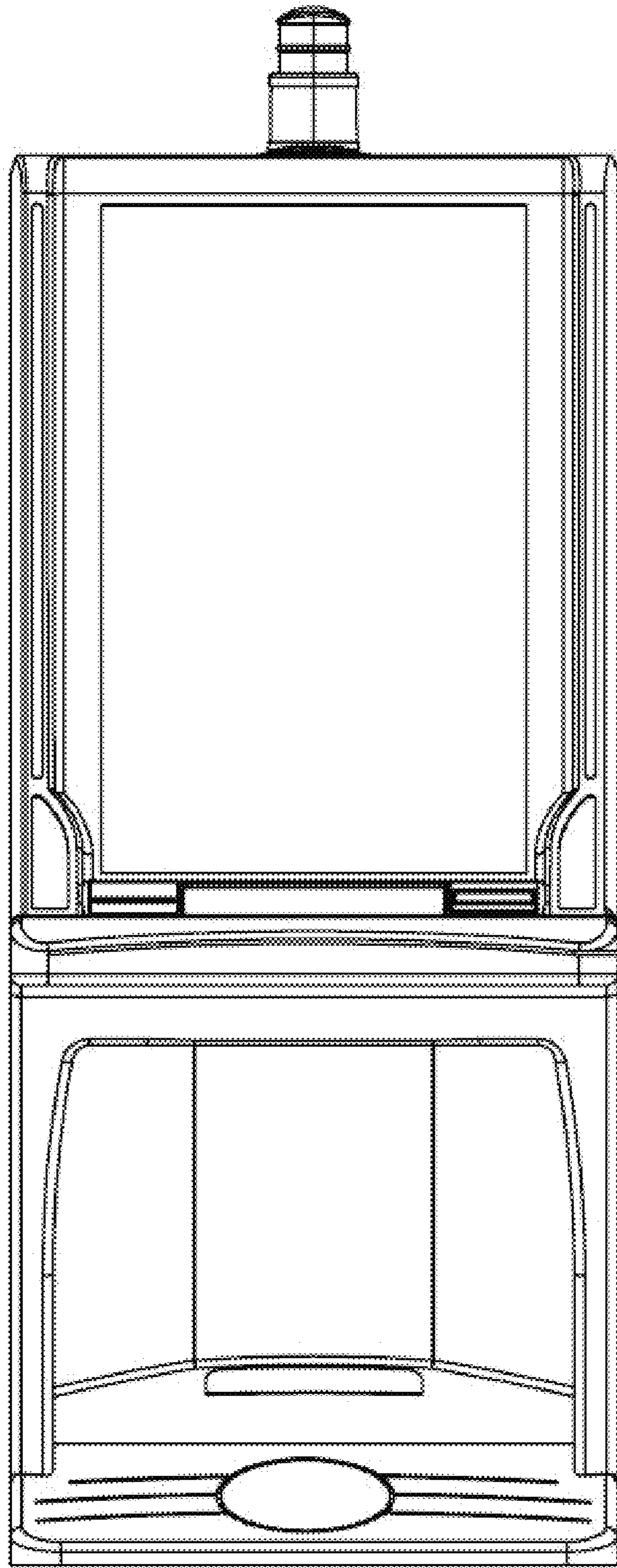


FIG. 3

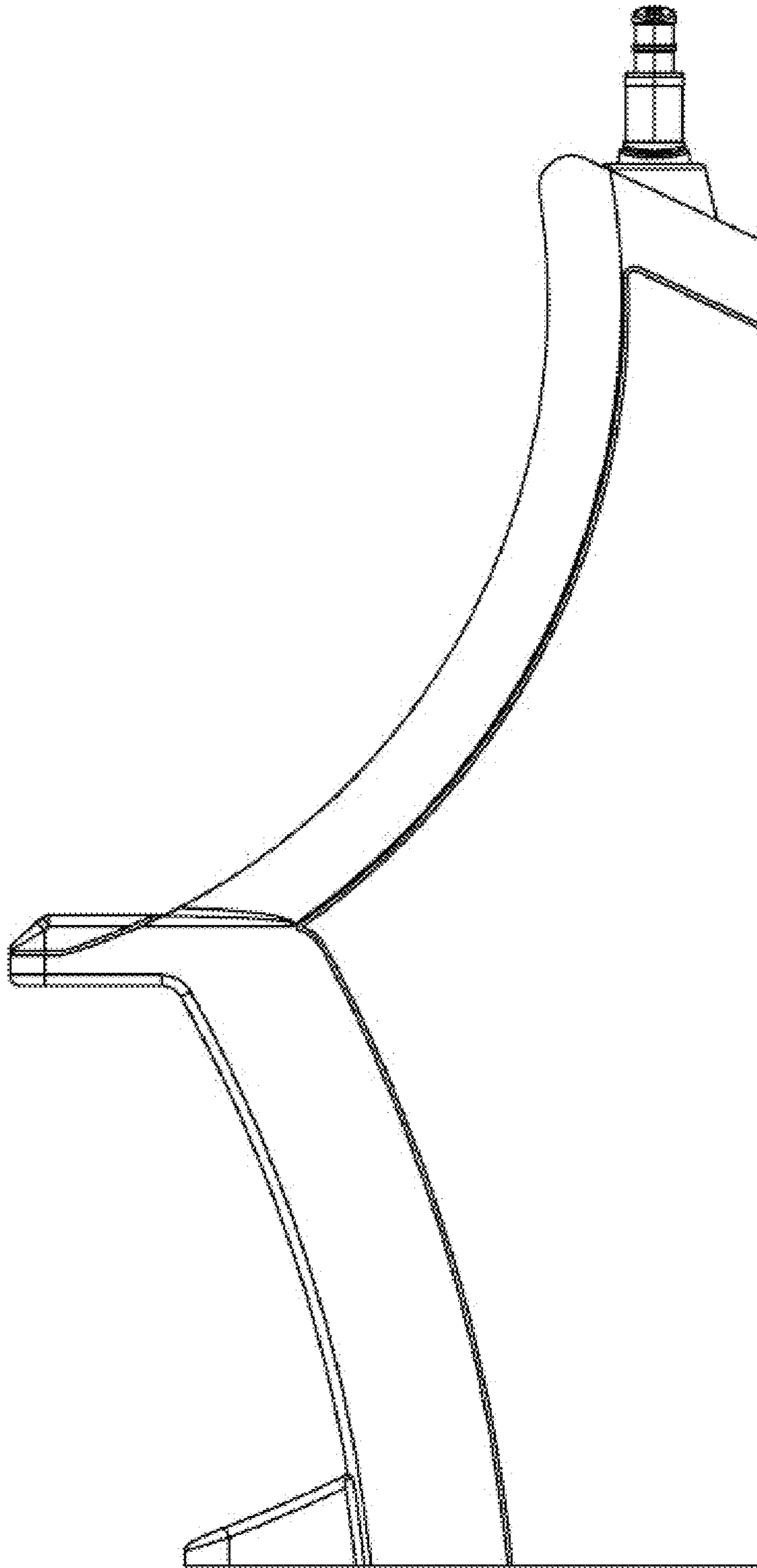


FIG. 4

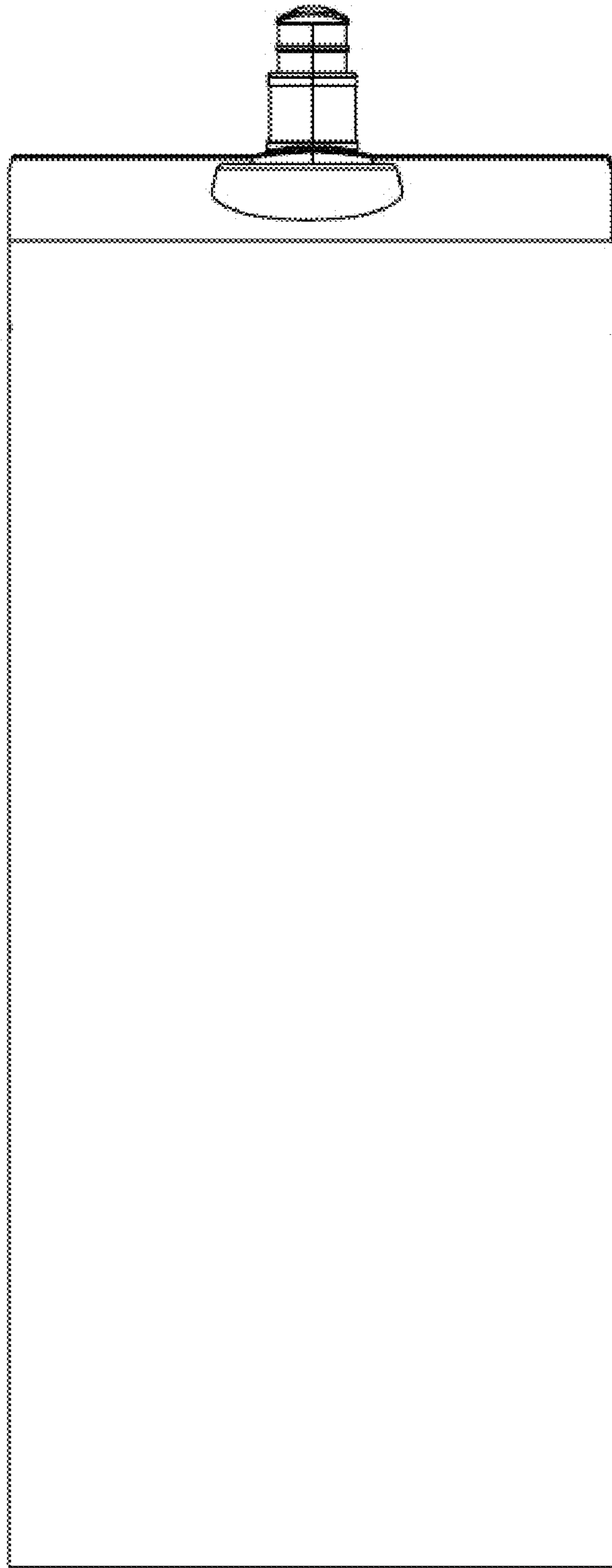


FIG. 5