



US00D685032S

(12) **United States Design Patent**  
**Slayton et al.**

(10) **Patent No.:** **US D685,032 S**  
(45) **Date of Patent:** **\*\* Jun. 25, 2013**

(54) **CONTROLLER**

(75) Inventors: **David A. Slayton**, Burke, VA (US); **Dale E. Newcomb, Jr.**, Leesburg, UT (US); **Jack Amis**, Plymouth, MN (US); **Dennis Deutsch**, Hastings, MN (US); **Carl Douglas Walker**, Front Royal, VA (US); **Susana Bacallao Slayton**, Burke, VA (US)

(73) Assignee: **Dynamic Animation Systems, Inc.**, Fairfax, VA (US)

(\*\*) Term: **14 Years**

(21) Appl. No.: **29/419,489**

(22) Filed: **Apr. 27, 2012**

(51) **LOC (9) Cl.** ..... **21-01**

(52) **U.S. Cl.**  
USPC ..... **D21/333; D14/454**

(58) **Field of Classification Search**  
USPC ..... D21/324–333, 385; D14/440, 401, D14/412, 414, 415, 416, 426, 427, 454, 496; 273/148 B; 463/1, 29–35, 46, 47; 345/156–167  
See application file for complete search history.

(56) **References Cited**

U.S. PATENT DOCUMENTS

D340,042 S \* 10/1993 Copper et al. .... D14/388  
5,296,871 A \* 3/1994 Paley ..... 345/163  
5,332,322 A \* 7/1994 Gambaro ..... 400/489

D368,901 S \* 4/1996 Currid ..... D14/417  
5,506,605 A \* 4/1996 Paley ..... 345/163  
D429,246 S \* 8/2000 Holma ..... D14/412  
6,338,485 B1 \* 1/2002 Huettlinger ..... 273/148 B  
6,809,722 B2 \* 10/2004 Mei et al. .... 345/163  
D567,243 S \* 4/2008 Ashida et al. .... D14/412  
D568,882 S \* 5/2008 Ashida et al. .... D14/400  
D587,713 S \* 3/2009 Sutton ..... D14/412  
D607,515 S \* 1/2010 Oikawa et al. .... D21/333  
D614,624 S \* 4/2010 Zhang ..... D14/418

\* cited by examiner

*Primary Examiner* — Prabhakar Deshmukh

(74) *Attorney, Agent, or Firm* — Greenberg Traurig LLP

(57) **CLAIM**

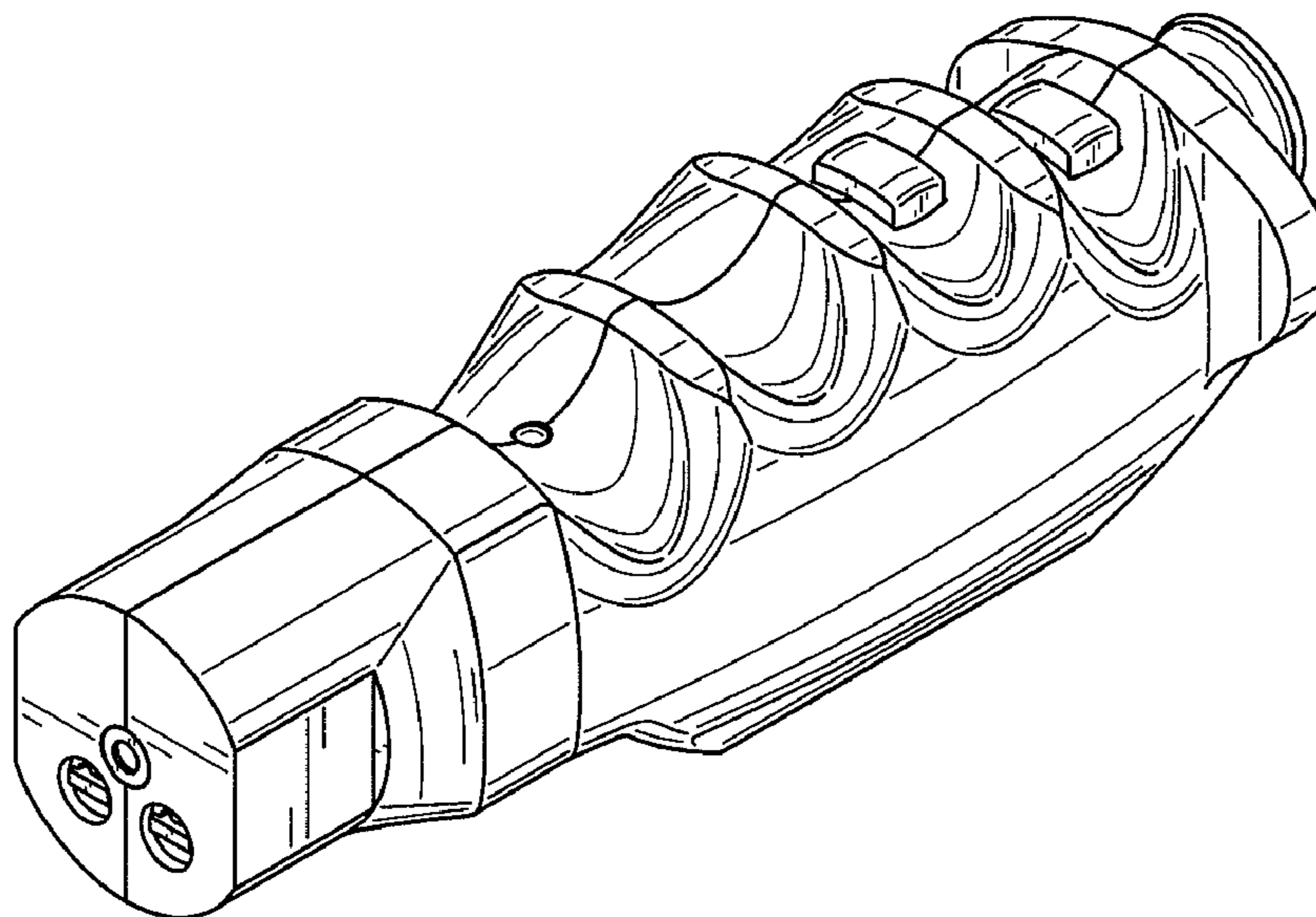
The ornamental design for a controller, as shown and described.

**DESCRIPTION**

FIG. 1 is a perspective view of a controller showing our new design;  
FIG. 2 is a front elevational view thereof;  
FIG. 3 is a rear elevational view thereof;  
FIG. 4 is a left side elevational view thereof;  
FIG. 5 is a right side elevational view thereof;  
FIG. 6 is a top plan view thereof;  
FIG. 7 is a bottom plan view thereof; and,  
FIG. 8 is a left side view thereof, shown in its environmental use.

The broken lines environment is for illustrative purpose only and forms no part of the claimed design.

**1 Claim, 5 Drawing Sheets**



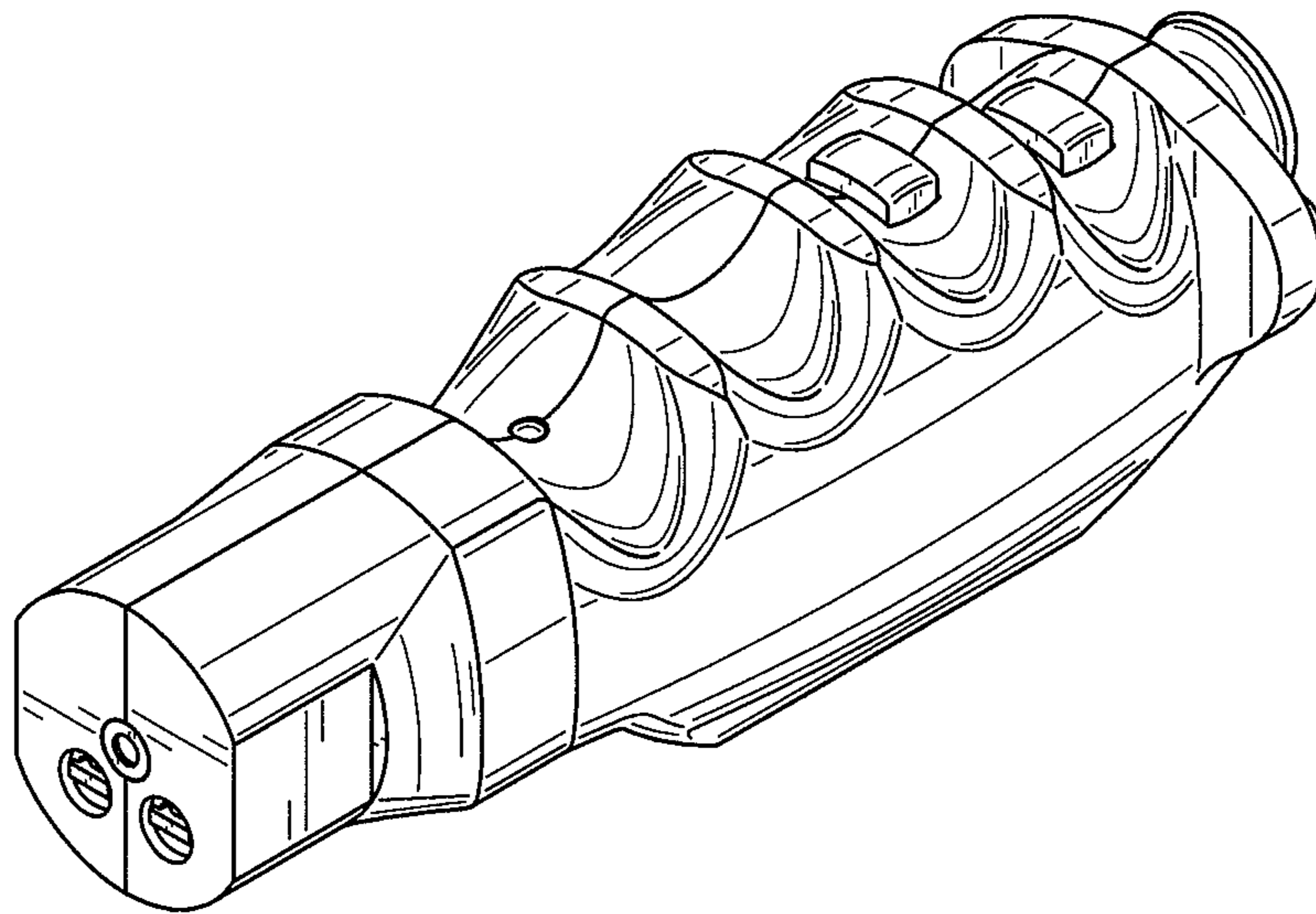


FIG. 1

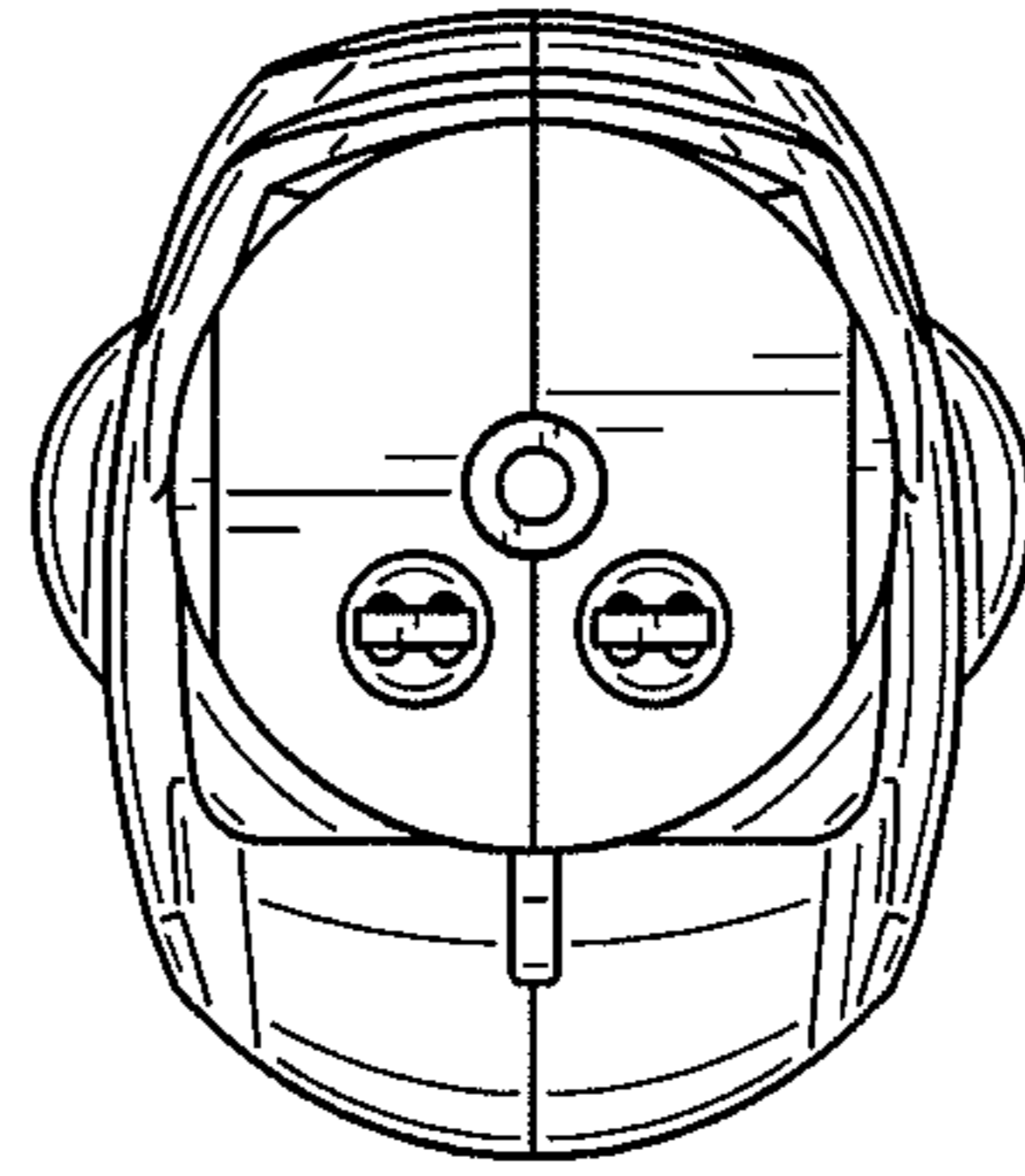


FIG. 2

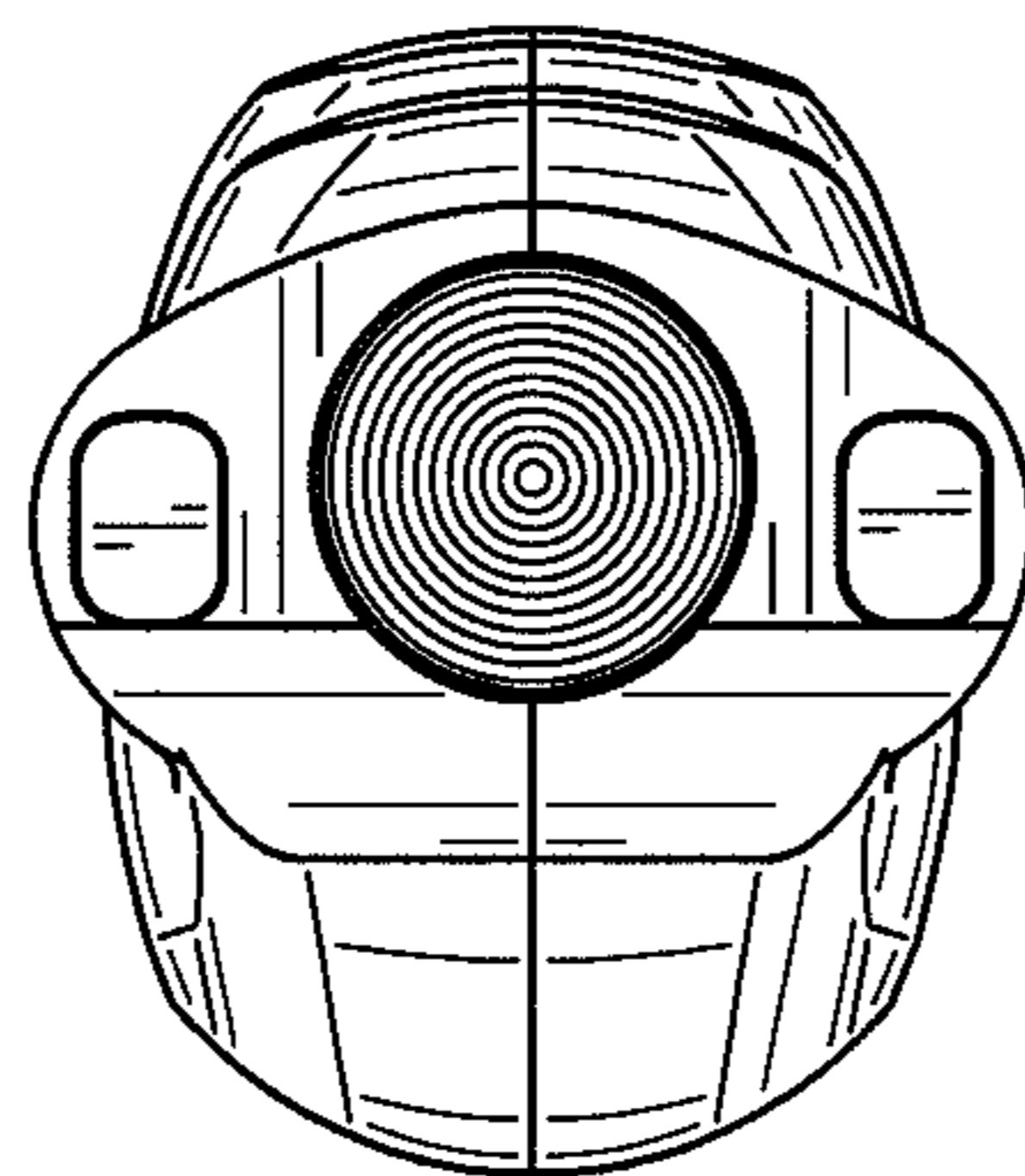


FIG. 3

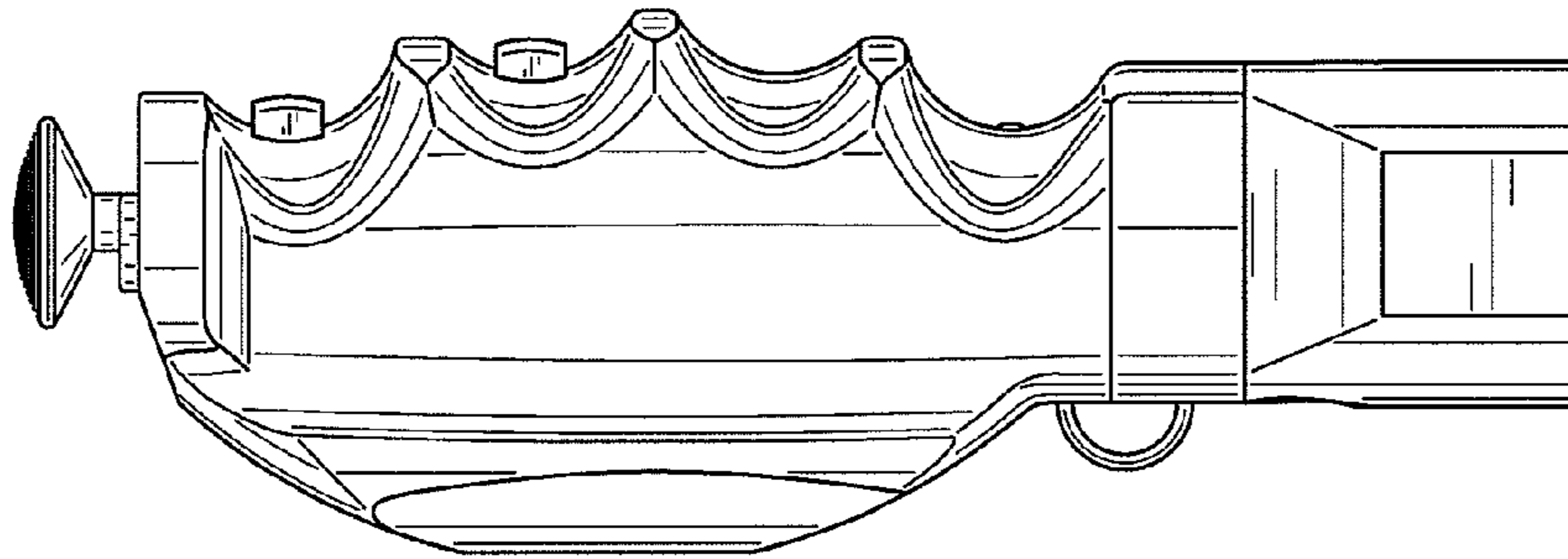


FIG. 4

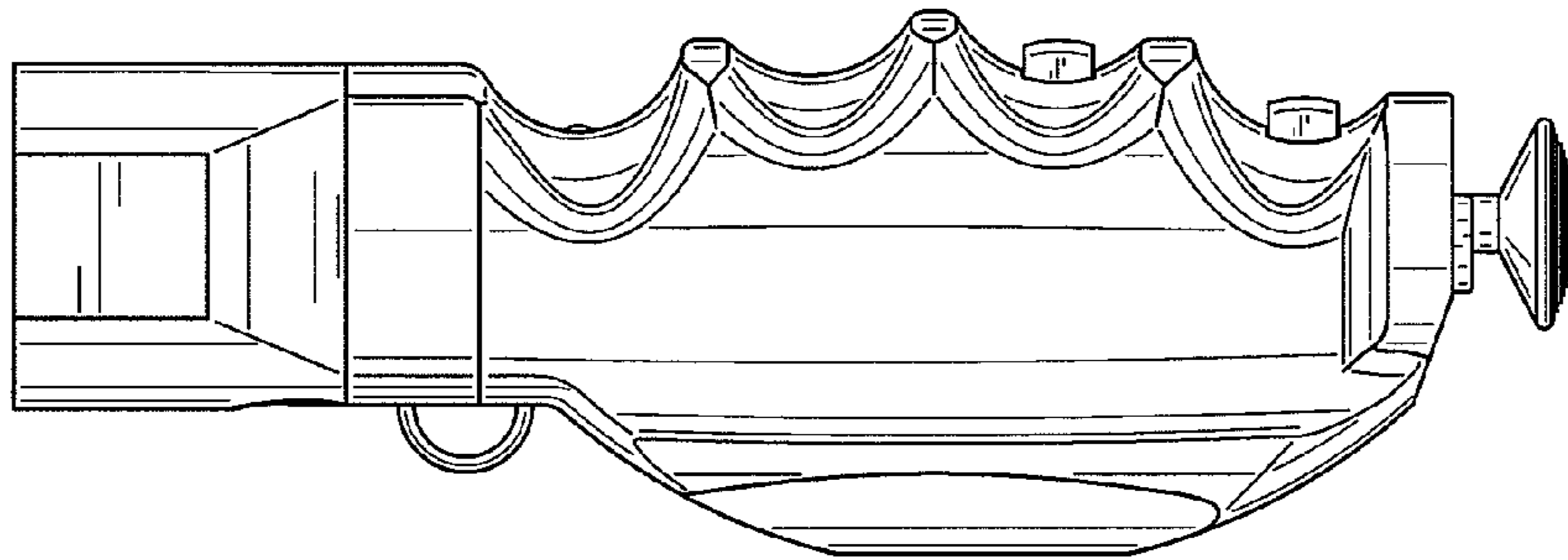


FIG. 5

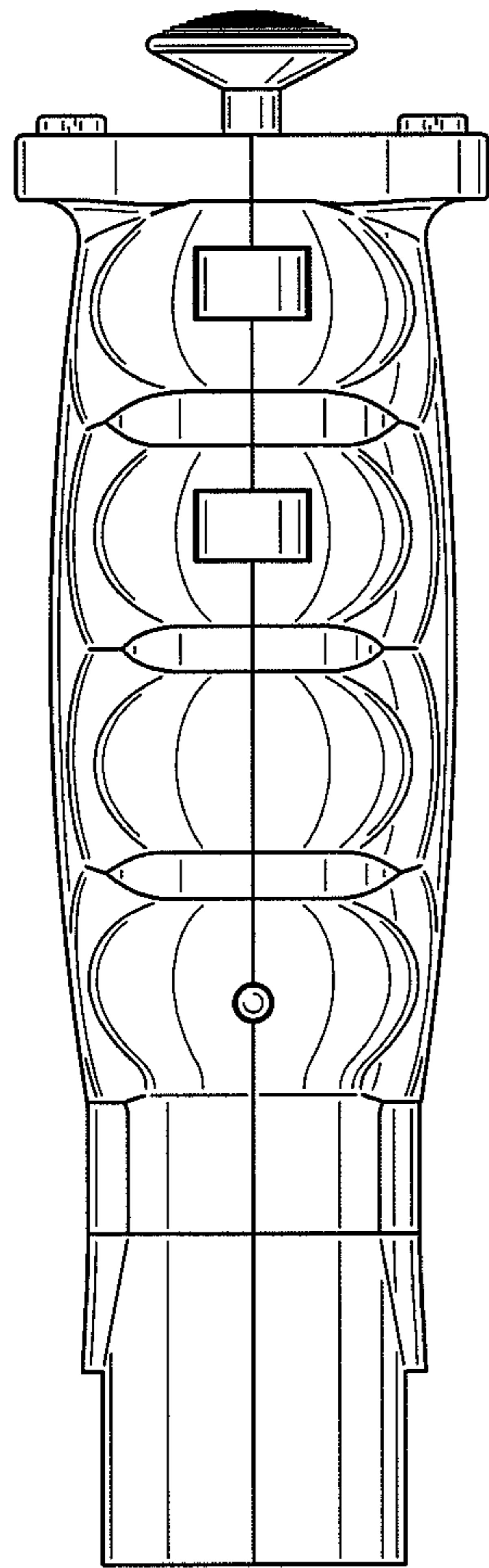


FIG. 6

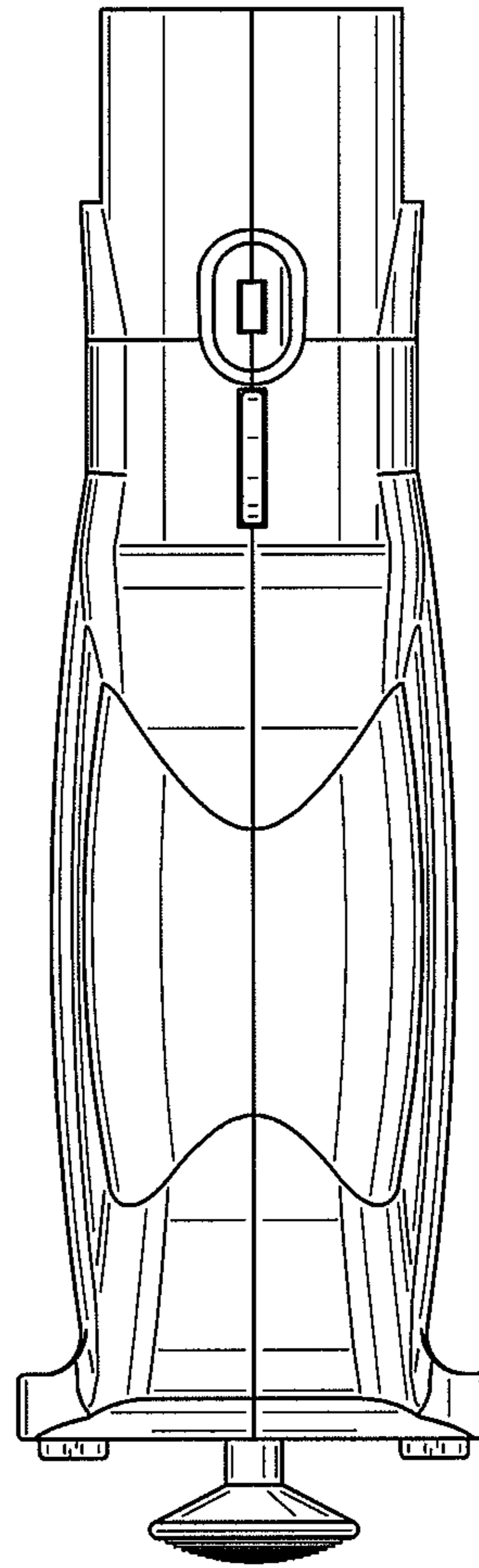


FIG. 7

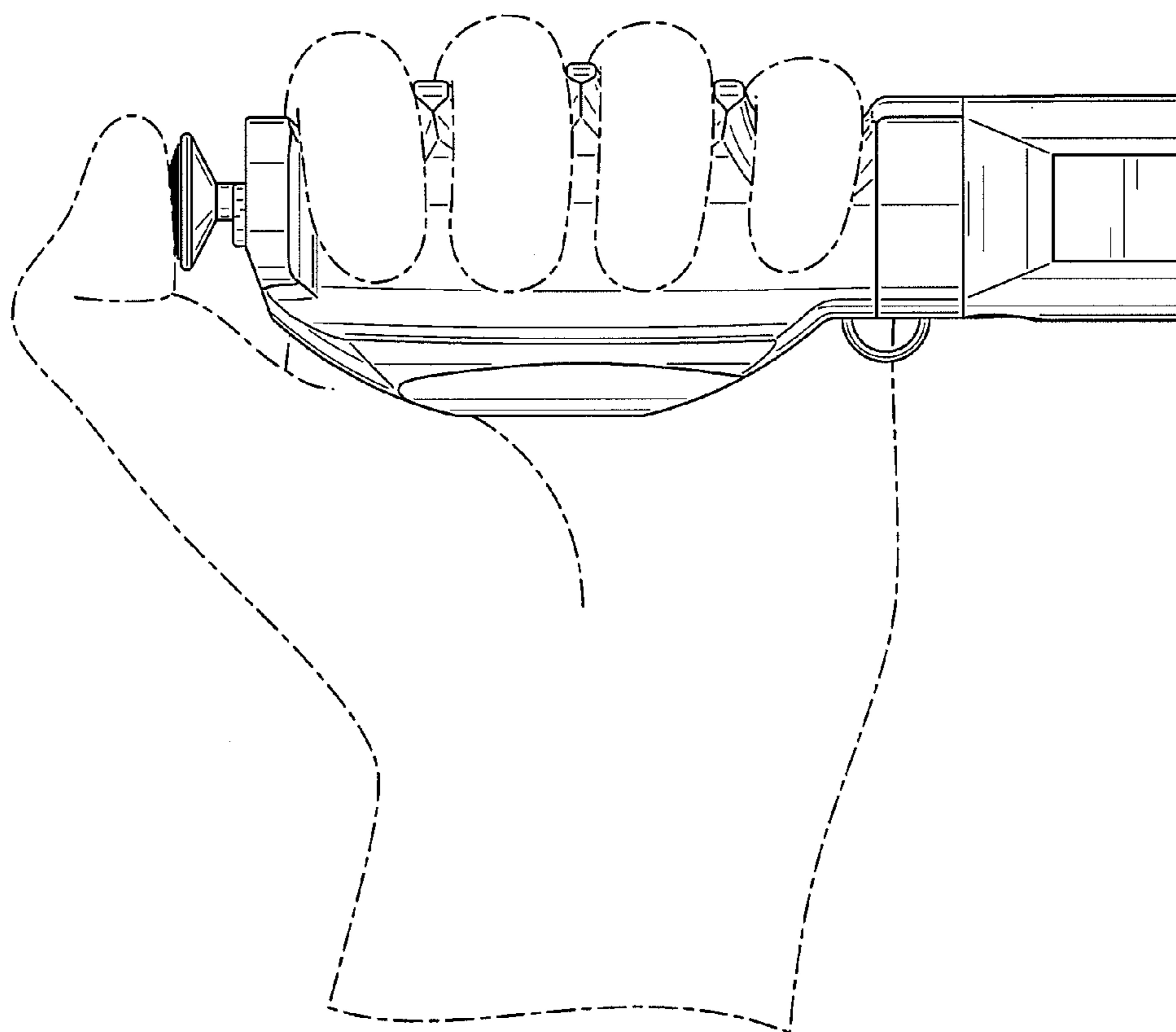


FIG. 8