



US00D685031S

(12) **United States Design Patent**  
**Holtz et al.**

(10) **Patent No.:** **US D685,031 S**  
(45) **Date of Patent:** **\*\* Jun. 25, 2013**

(54) **COMBINED BOTTLE TAG AND BOTTLE**

(75) Inventors: **Kimberlee D. Holtz**, Ortonville, MI (US); **Greg Howell**, Farmington, MI (US); **Mark T. Allen**, Oxford, MI (US)

(73) Assignee: **Chrysler Group LLC**, Auburn Hills, MI (US)

(\*\*) Term: **14 Years**

(21) Appl. No.: **29/382,772**

(22) Filed: **Jan. 7, 2011**

**Related U.S. Application Data**

(63) Continuation-in-part of application No. 29/378,405, filed on Nov. 4, 2010, now Pat. No. Des. 653,549.

(51) **LOC (9) Cl.** ..... **19-08**

(52) **U.S. Cl.**  
USPC ..... **D20/22; D9/719**

(58) **Field of Classification Search**  
USPC ..... D20/10, 19, 22-29, 40, 99; 40/124.01, 40/299.01, 310, 360, 661, 661.01, 661.02, 40/649, 654.01, 665; D7/387; D9/434, 715, D9/719; D11/95; D30/155; 63/18; 116/234; 206/81; 283/156; 362/103

See application file for complete search history.

(56) **References Cited**

**U.S. PATENT DOCUMENTS**

1,408,566 A \* 3/1922 Cunningham ..... 40/649  
2,716,483 A \* 8/1955 Nauman ..... 206/0.81  
7,234,254 B2 \* 6/2007 Schmidt ..... 40/310  
D569,760 S \* 5/2008 Endres ..... D11/95  
D633,410 S \* 3/2011 Walsh et al. .... D11/95

D653,549 S \* 2/2012 Holtz et al. .... D9/535  
D656,012 S \* 3/2012 Leu et al. .... D9/434  
2005/0138854 A1 \* 6/2005 Simmons ..... 40/665  
2008/0266837 A1 \* 10/2008 Mehler et al. .... 362/103  
2009/0173104 A1 \* 7/2009 Shunnarah ..... 63/1.12  
2011/0296728 A1 \* 12/2011 Bolt ..... 40/649  
2011/0315069 A1 \* 12/2011 Thalacker ..... 116/234

**OTHER PUBLICATIONS**

Dog Tag—Vector Art raphics <http://vector-art-graphics.com/Buy-Vector-Art-Graphics-of-Dog-Tag/4192056> printed from the web on Nov. 26, 2012.\*

\* cited by examiner

*Primary Examiner* — Mary Ann Calabrese

(74) *Attorney, Agent, or Firm* — Ralph E Smith

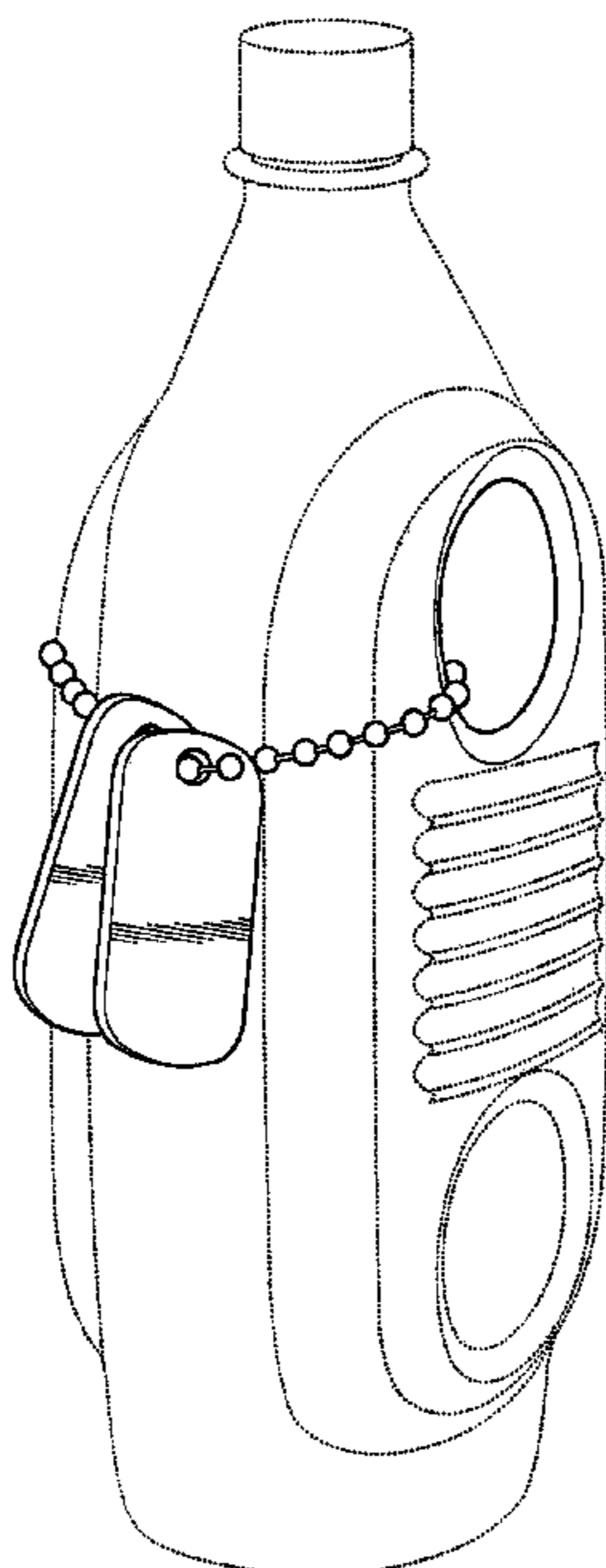
(57) **CLAIM**

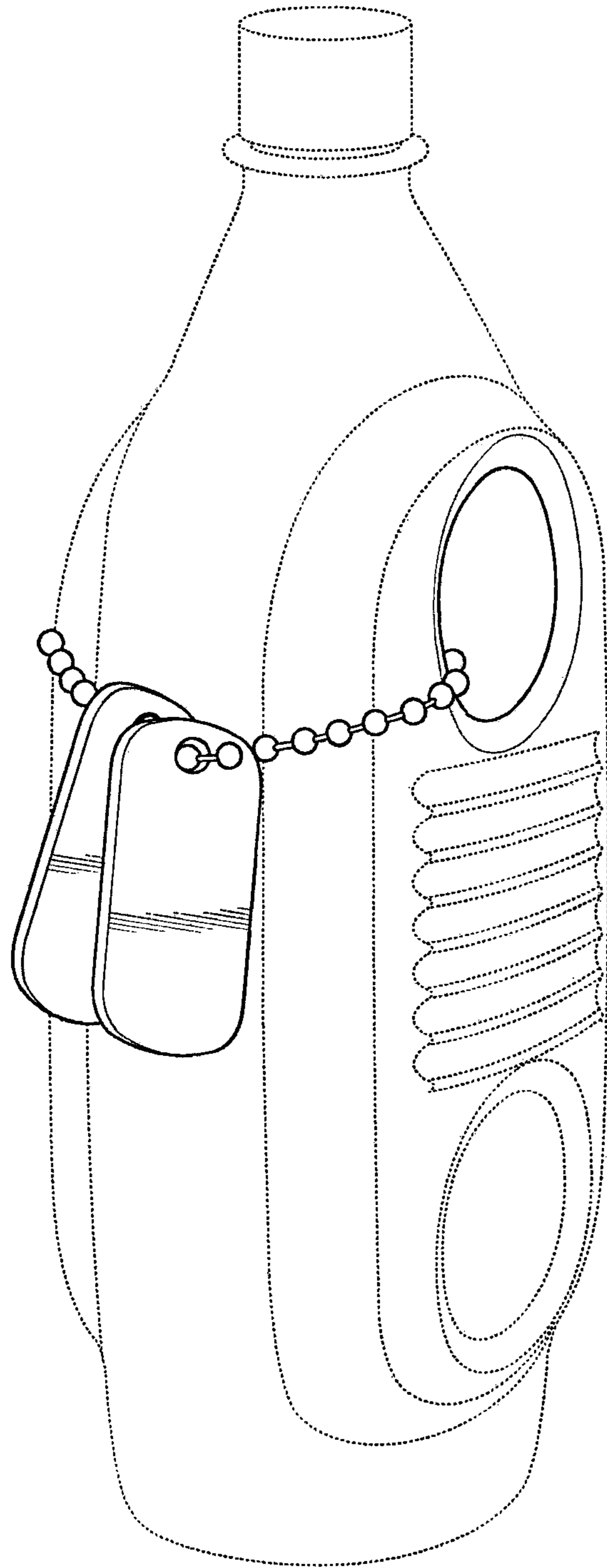
The ornamental design for a combined bottle tag and bottle, as shown and described.

**DESCRIPTION**

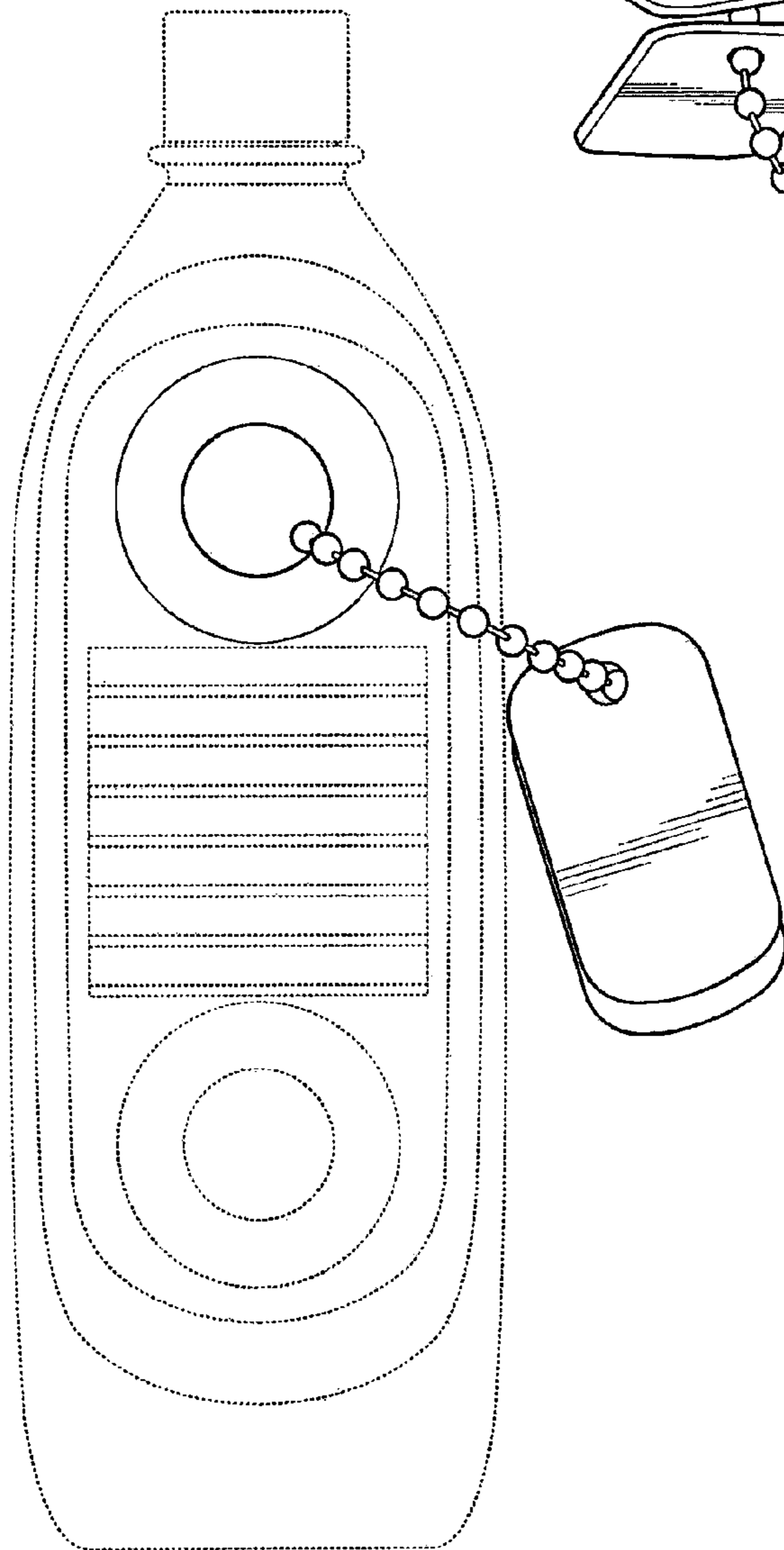
FIG. 1 is a perspective view of a bottle tag design showing our new design;  
FIG. 2 is a side view thereof;  
FIG. 3 is a top plan view thereof;  
FIG. 4 is a side view thereof;  
FIG. 5 is a bottom view thereof; and  
FIG. 6 is a side view thereof; and,  
FIG. 7 is a side view thereof.  
It will be understood that the dashed lines presented in the drawings are for illustration only, and do not form a part of the claimed design.

**1 Claim, 5 Drawing Sheets**

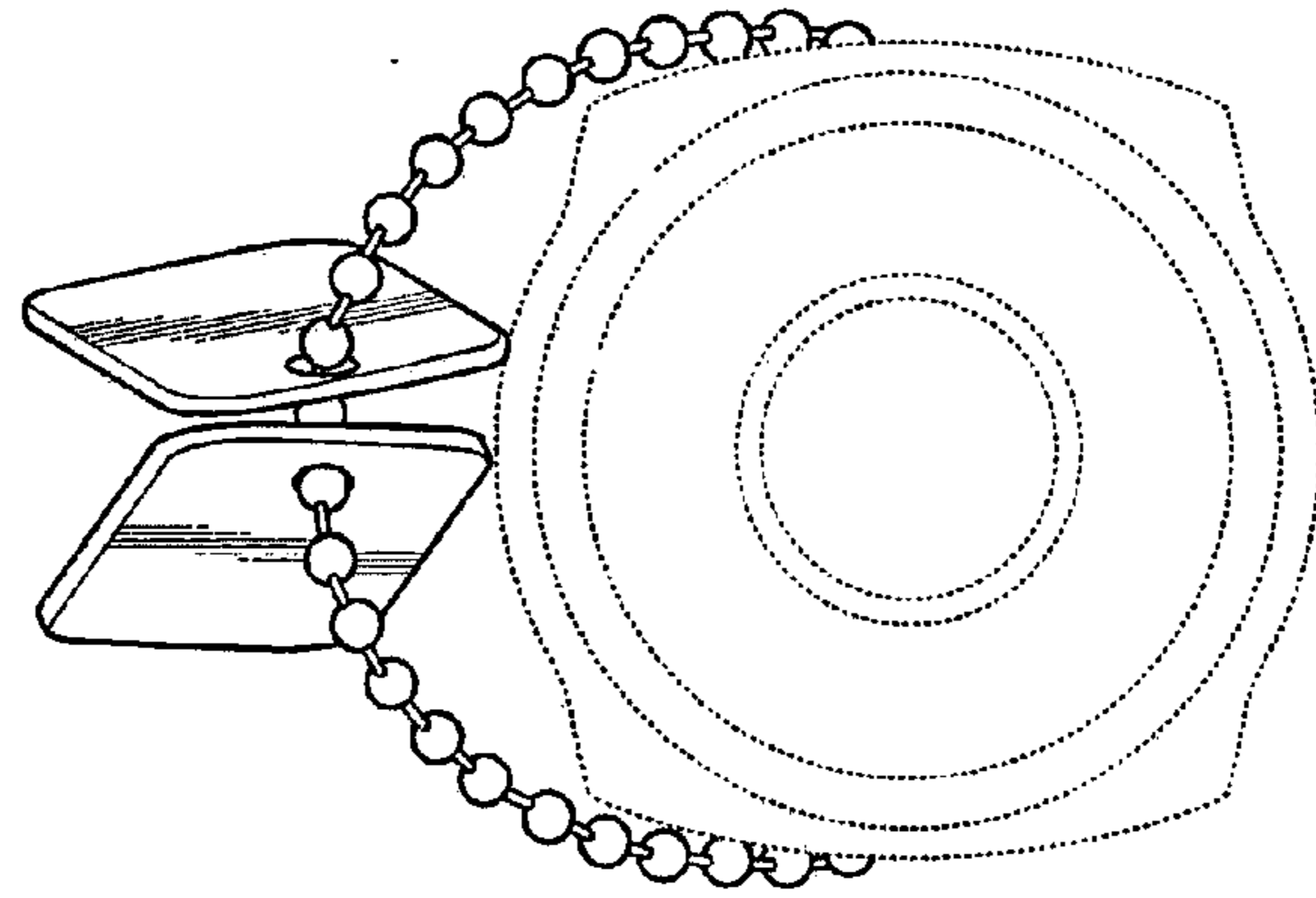




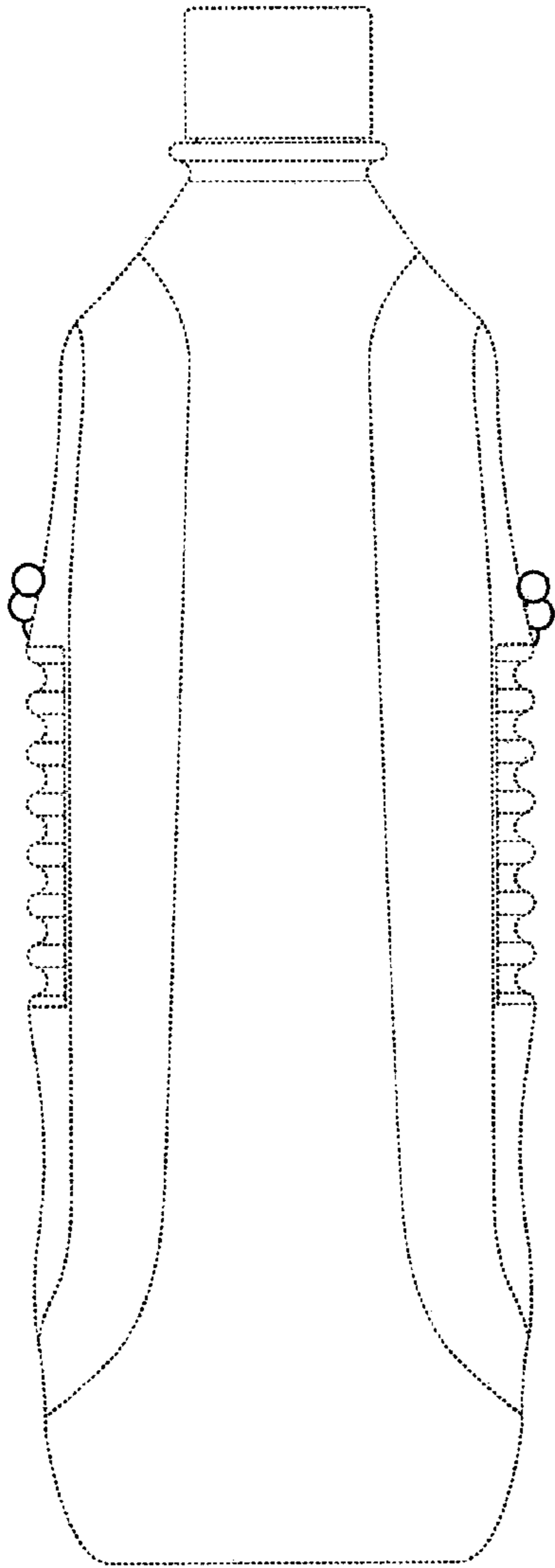
**FIG. 1**



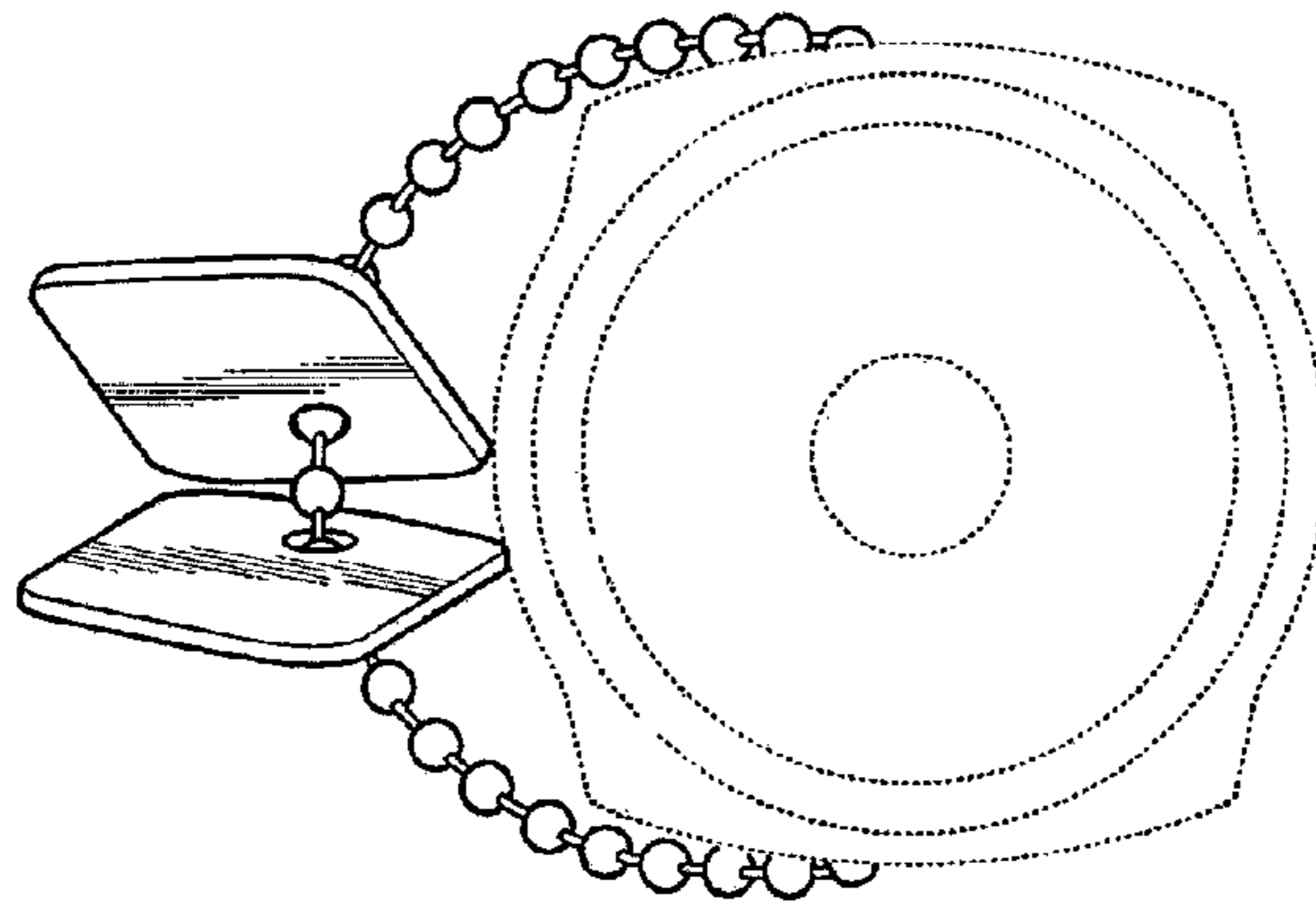
**FIG. 2**



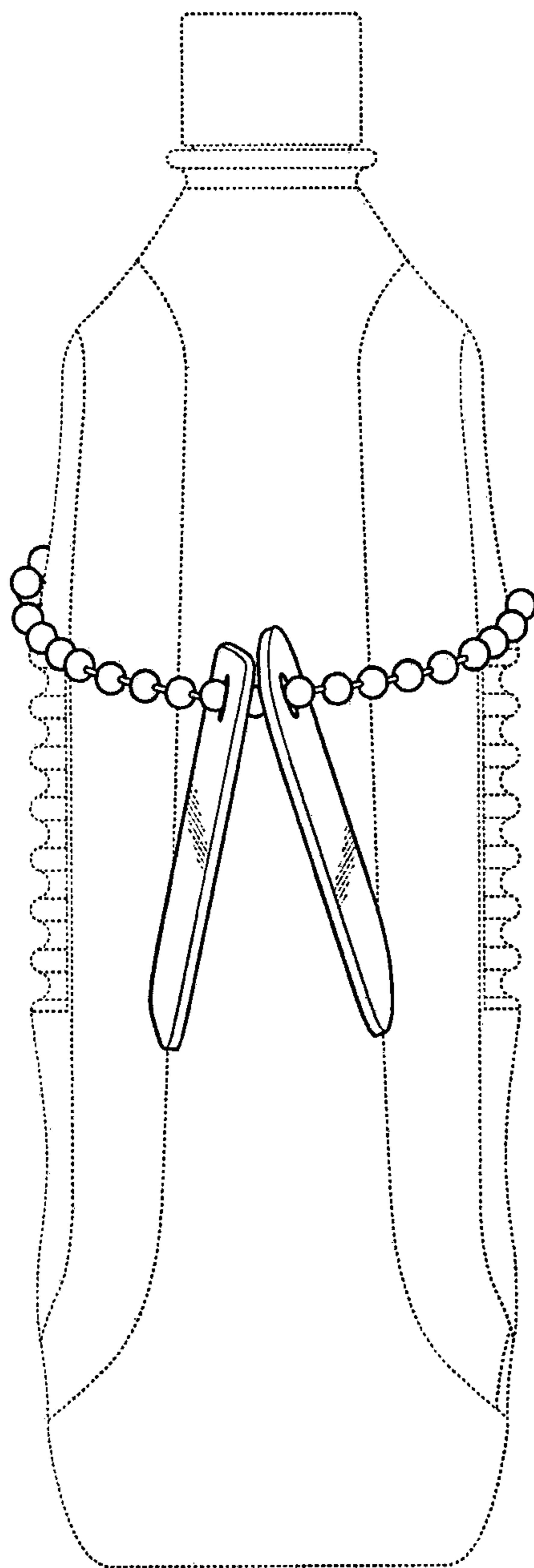
**FIG. 3**



**FIG. 4**

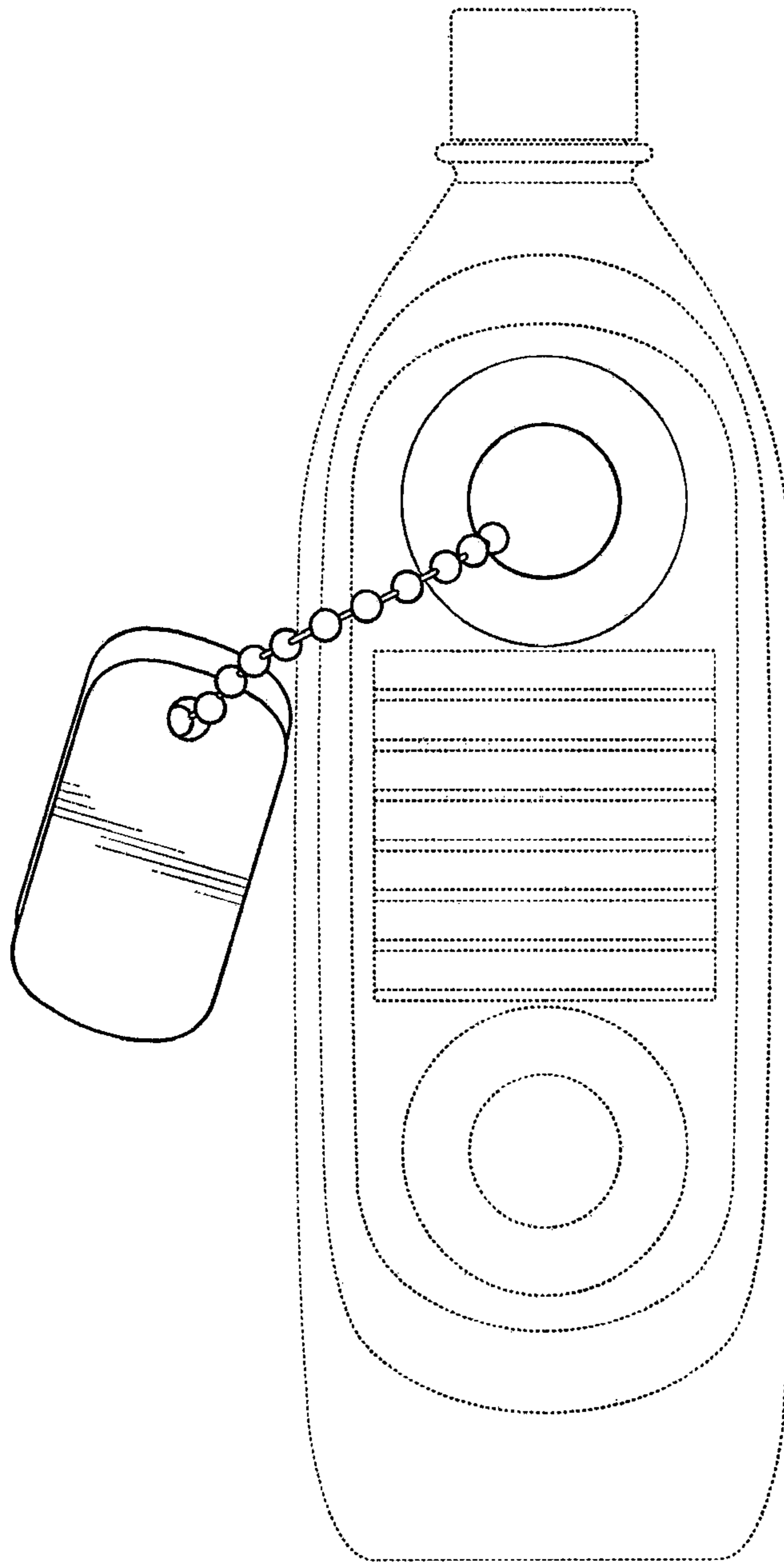


**FIG. 5**



**FIG. 6**





**FIG. 7**