



US00D685030S

(12) **United States Design Patent**  
**Wallom et al.**

(10) **Patent No.:** **US D685,030 S**  
(45) **Date of Patent:** **\*\* Jun. 25, 2013**

(54) **MATERIAL PUNCH**

(75) Inventors: **Michael D. Wallom**, Madison, WI (US);  
**Daniel Cunningham**, Edgerton, WI  
(US); **Colin Roberts**, Stevens Point, WI  
(US); **Daniel J. Lipscomb**, Prairie Du  
Sac, WI (US); **Douglas Nelson**,  
Madison, WI (US)

(73) Assignee: **Fiskars Brands, Inc.**, Madison, WI (US)

(\*\*) Term: **14 Years**

(21) Appl. No.: **29/410,366**

(22) Filed: **Jan. 6, 2012**

(51) **LOC (9) Cl.** ..... **19-02**

(52) **U.S. Cl.**  
USPC ..... **D19/72**

(58) **Field of Classification Search**  
USPC ..... D8/98; D19/72; 30/358, 363; 83/613,  
83/618, 620, 633, 684-691

See application file for complete search history.

(56) **References Cited**

**U.S. PATENT DOCUMENTS**

1,655,315	A *	1/1928	Finley	83/571
1,692,764	A *	11/1928	Salt	83/167
D169,080	S *	3/1953	Marano	D19/72
2,906,335	A *	9/1959	Love	234/78
3,385,152	A *	5/1968	Brown et al.	83/633
D226,138	S *	1/1973	Fleming	D19/72
4,688,457	A *	8/1987	Neilsen et al.	83/468
D360,225	S *	7/1995	Yang	D19/72
D373,385	S	9/1996	Birkholz	
5,601,006	A	2/1997	Quinn et al.	
D393,657	S	4/1998	Bennett	
5,797,308	A *	8/1998	Evans et al.	83/618
D407,752	S	4/1999	Kim et al.	
D419,178	S	1/2000	Kim et al.	

6,209,434	B1	4/2001	Kim et al.	
6,626,965	B2	9/2003	Workman et al.	
D489,411	S *	5/2004	Chen	D19/72
D489,763	S *	5/2004	Chen	D19/72
D508,701	S	8/2005	Corcoran et al.	
7,011,009	B1	3/2006	Tomich	
D540,374	S	4/2007	Corcoran	
D542,310	S	5/2007	Corcoran et al.	
D567,861	S *	4/2008	Chen et al.	D19/72
D567,862	S *	4/2008	Chen et al.	D19/72

(Continued)

**OTHER PUBLICATIONS**

U.S. Appl. No. 29/404,451, filed Oct. 20, 2011, Michael D. Wallom.

(Continued)

*Primary Examiner* — Elizabeth Albert

(74) *Attorney, Agent, or Firm* — Foley & Lardner LLP

(57) **CLAIM**

We claim the ornamental design for a material punch, as shown and described.

**DESCRIPTION**

FIG. 1 is a perspective view of our claimed design.

FIG. 2 is a front elevational view of the claimed design of FIG. 1.

FIG. 3 is a rear elevational view of the claimed design of FIG. 1.

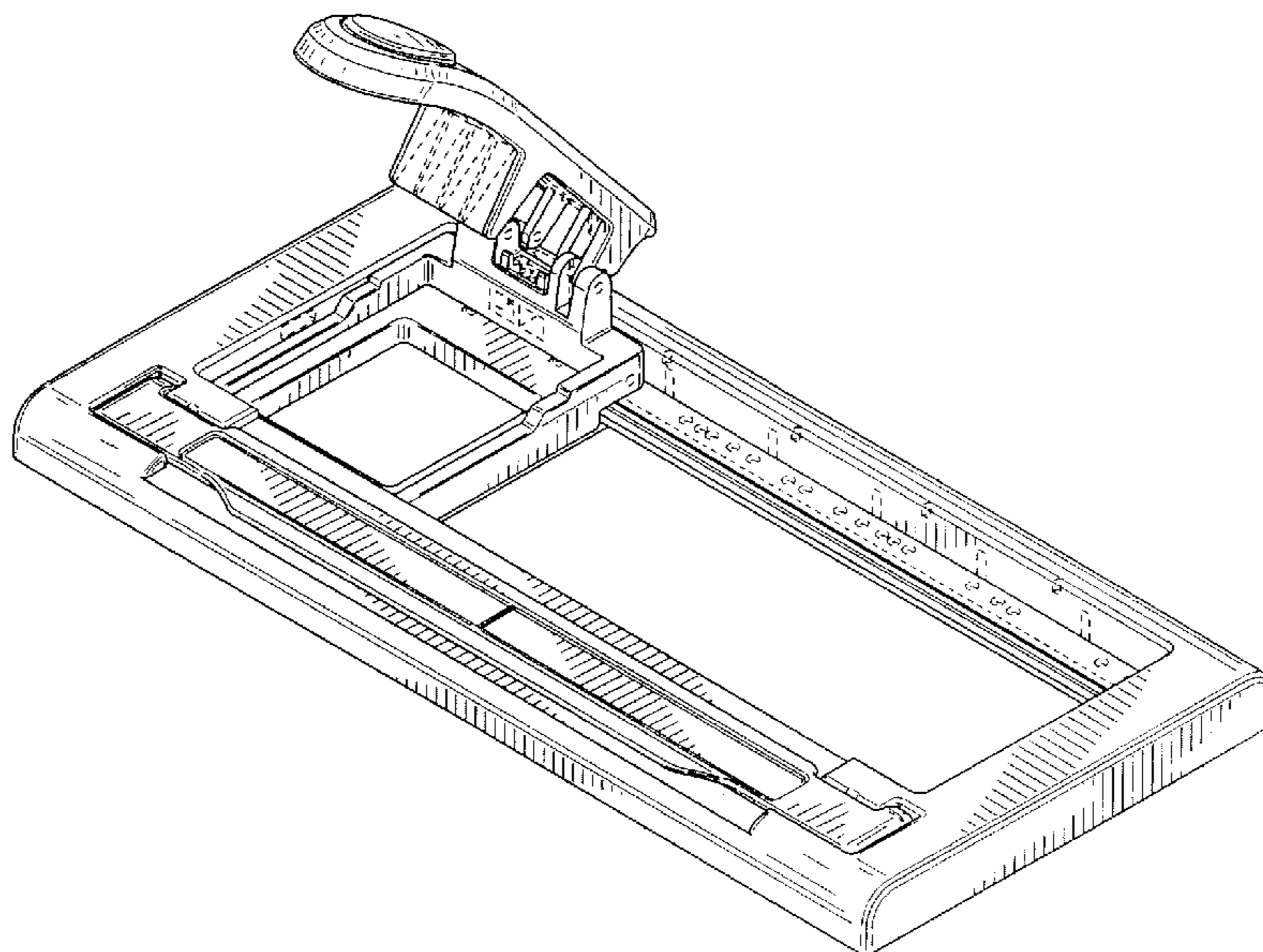
FIG. 4 is a left side elevational view of the claimed design of FIG. 1.

FIG. 5 is a right side elevational view of the claimed design of FIG. 1.

FIG. 6 is a top plan view of the claimed design of FIG. 1; and, FIG. 7 is a bottom plan view of the claimed design of FIG. 1.

The broken lines in the drawings are included for the purpose of showing portions that form no part of the claimed design.

**1 Claim, 4 Drawing Sheets**



# US D685,030 S

Page 2

---

## U.S. PATENT DOCUMENTS

D573,649 S \* 7/2008 Chen et al. .... D19/72  
D587,287 S 2/2009 Corcoran et al.  
D588,647 S \* 3/2009 Luo et al. .... D19/72  
D607,910 S 1/2010 Corcoran et al.  
7,654,183 B2 \* 2/2010 Marks ..... 83/618  
D611,993 S \* 3/2010 Lynen et al. .... D19/72  
7,721,635 B2 \* 5/2010 Luo et al. .... 83/628  
D618,729 S \* 6/2010 Lee et al. .... D19/72  
D632,317 S 2/2011 Corcoran et al.  
D633,145 S \* 2/2011 Lee et al. .... D19/72  
2003/0037657 A1 2/2003 Oh et al.  
2003/0205122 A1 11/2003 Oh

2005/0253324 A1 11/2005 Corcoran et al.  
2006/0037503 A1 2/2006 Winston  
2008/0168874 A1 \* 7/2008 Luo et al. .... 83/167  
2011/0252939 A1 10/2011 Nability et al.

## OTHER PUBLICATIONS

U.S. Appl. No. 29/401,055, filed Sep. 6, 2011, Andrew P. Block.  
U.S. Appl. No. 13/192,265, filed Jul. 27, 2011, Andrew P. Block.  
Fiskars School Office Craft Products 2005 catalog, pp. 71-73.  
Fiskars Craft Products 2007 catalog, pp. 42-57 and 70-83.

\* cited by examiner

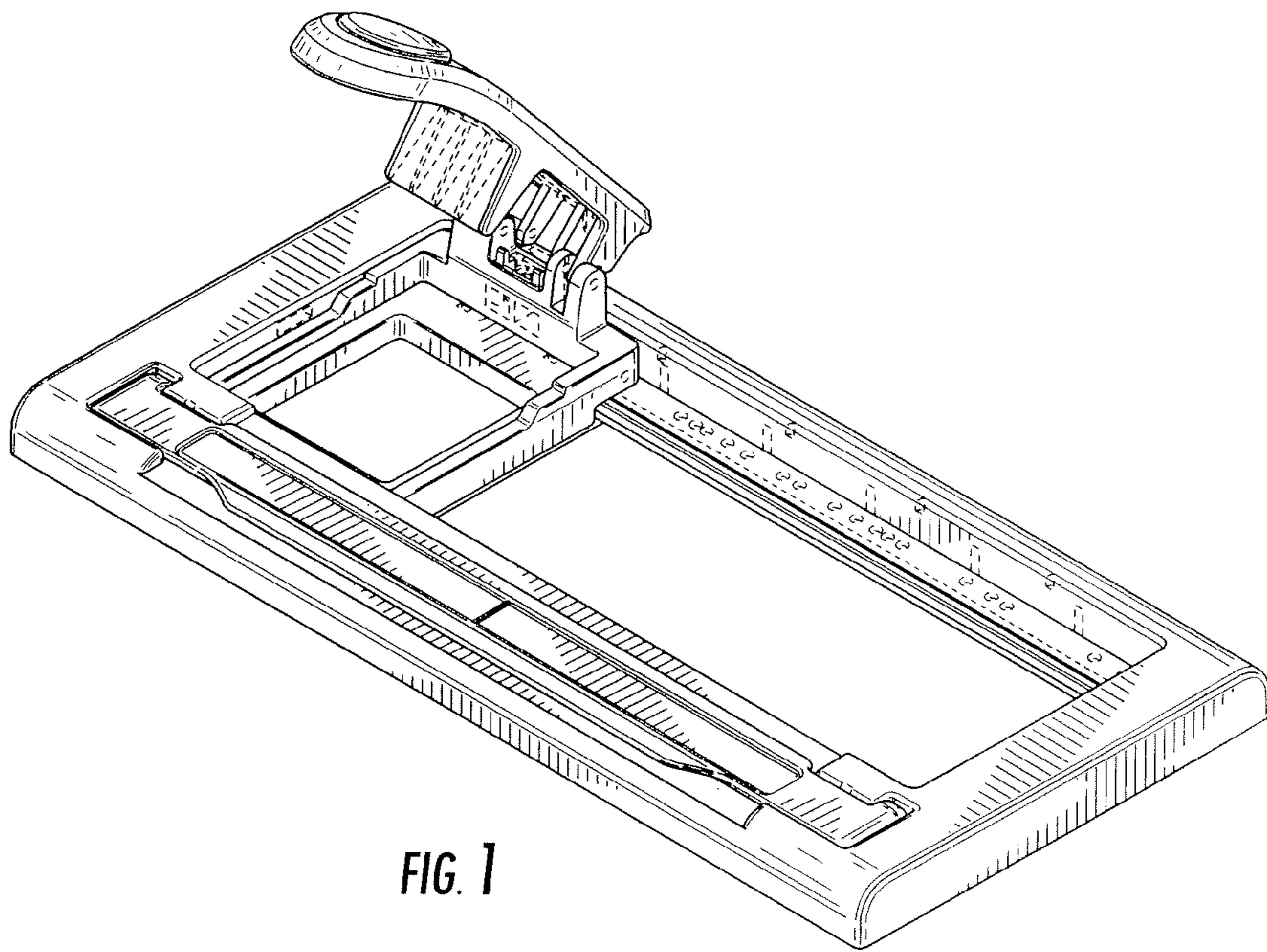


FIG. 1

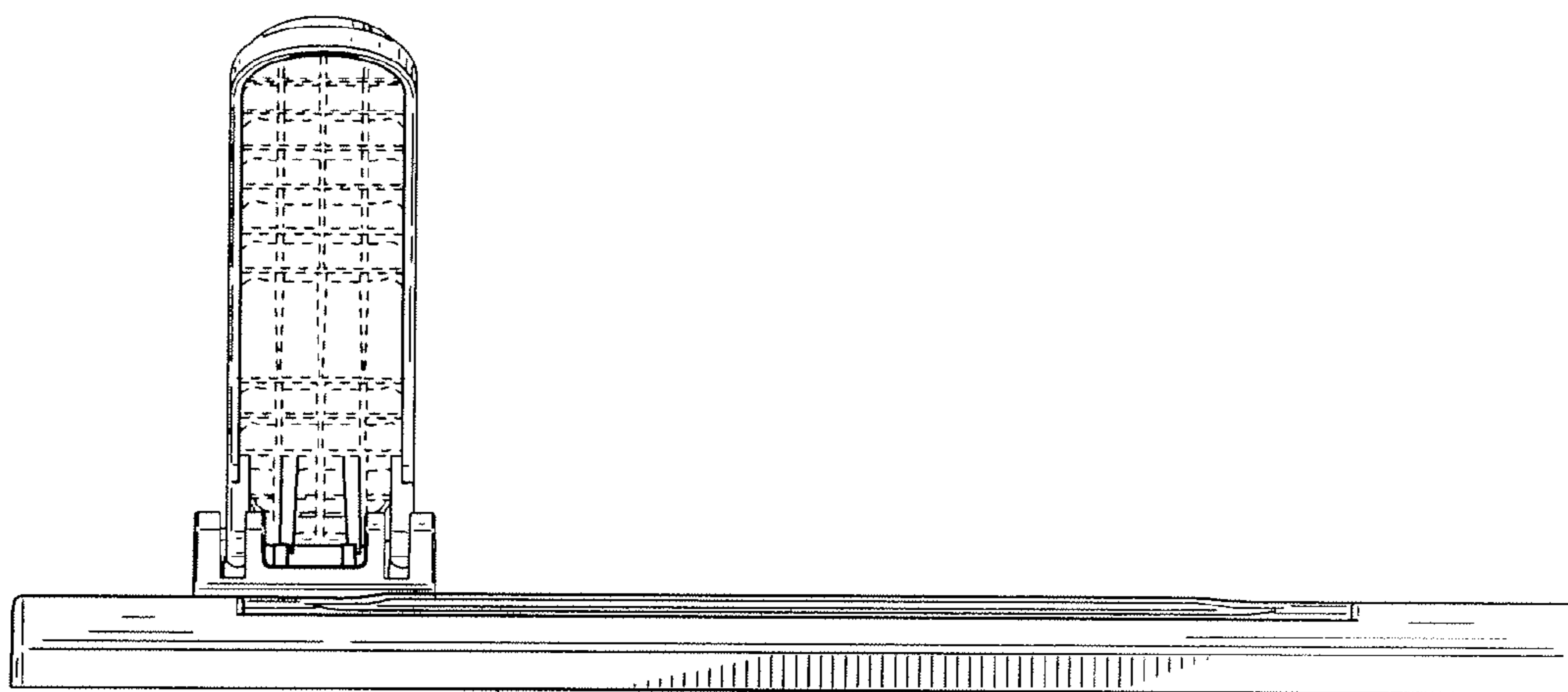


FIG. 2

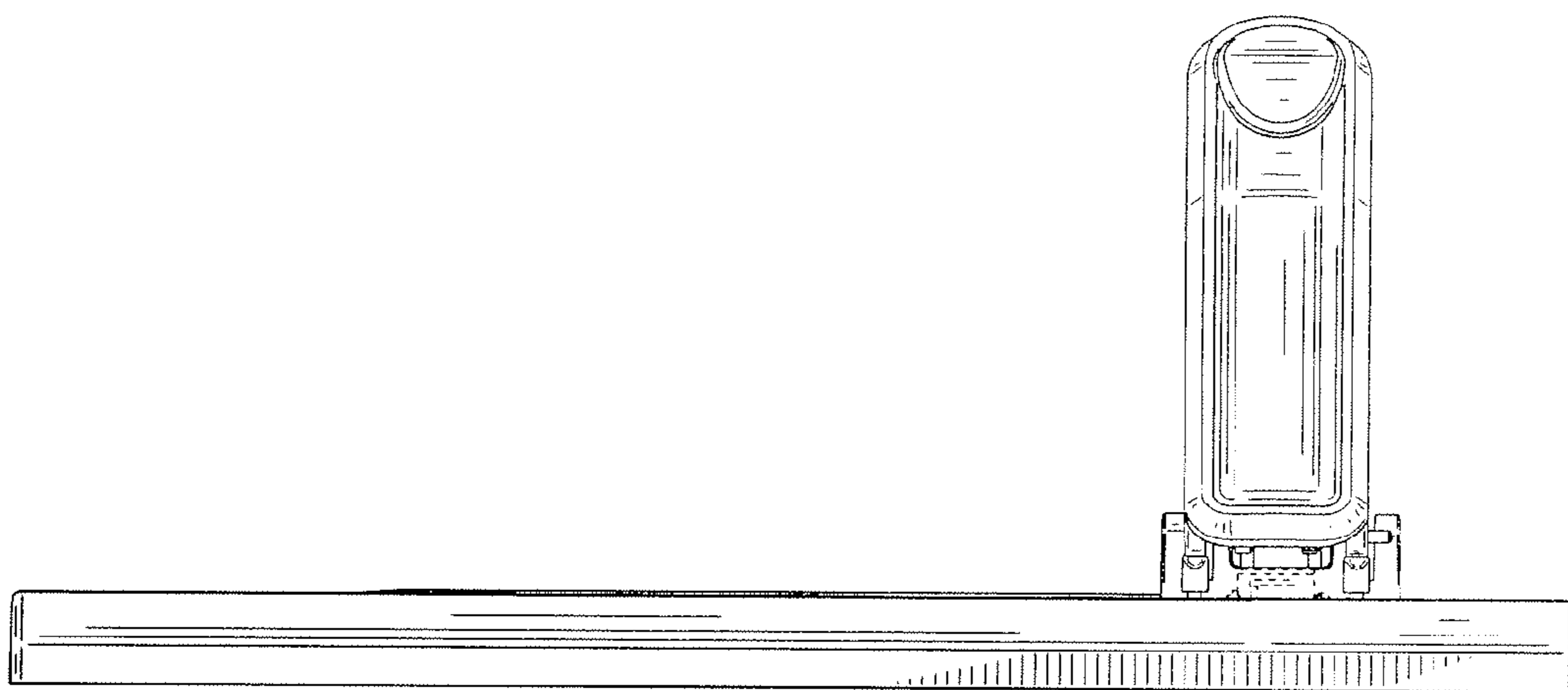


FIG. 3



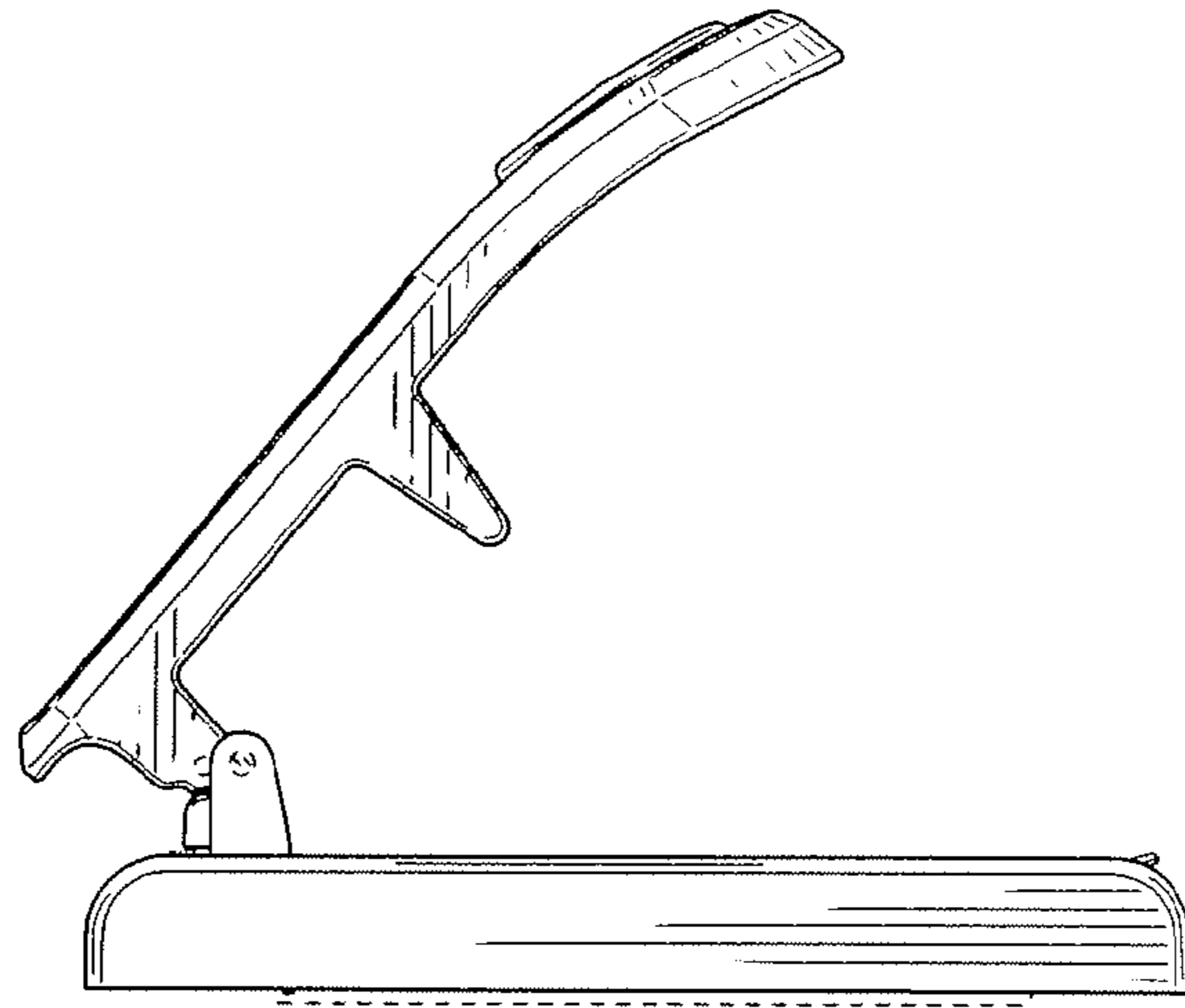


FIG. 4

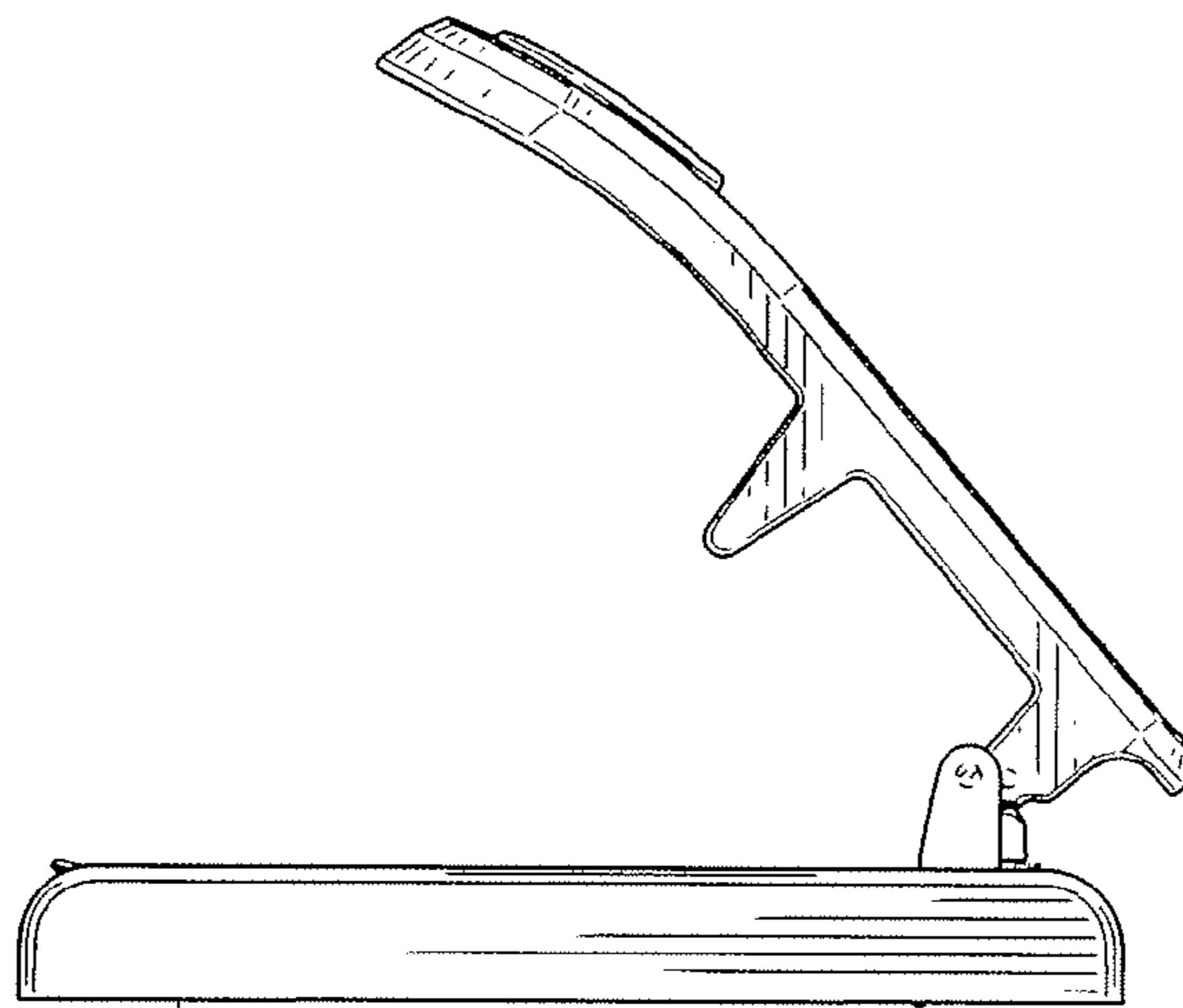


FIG. 5

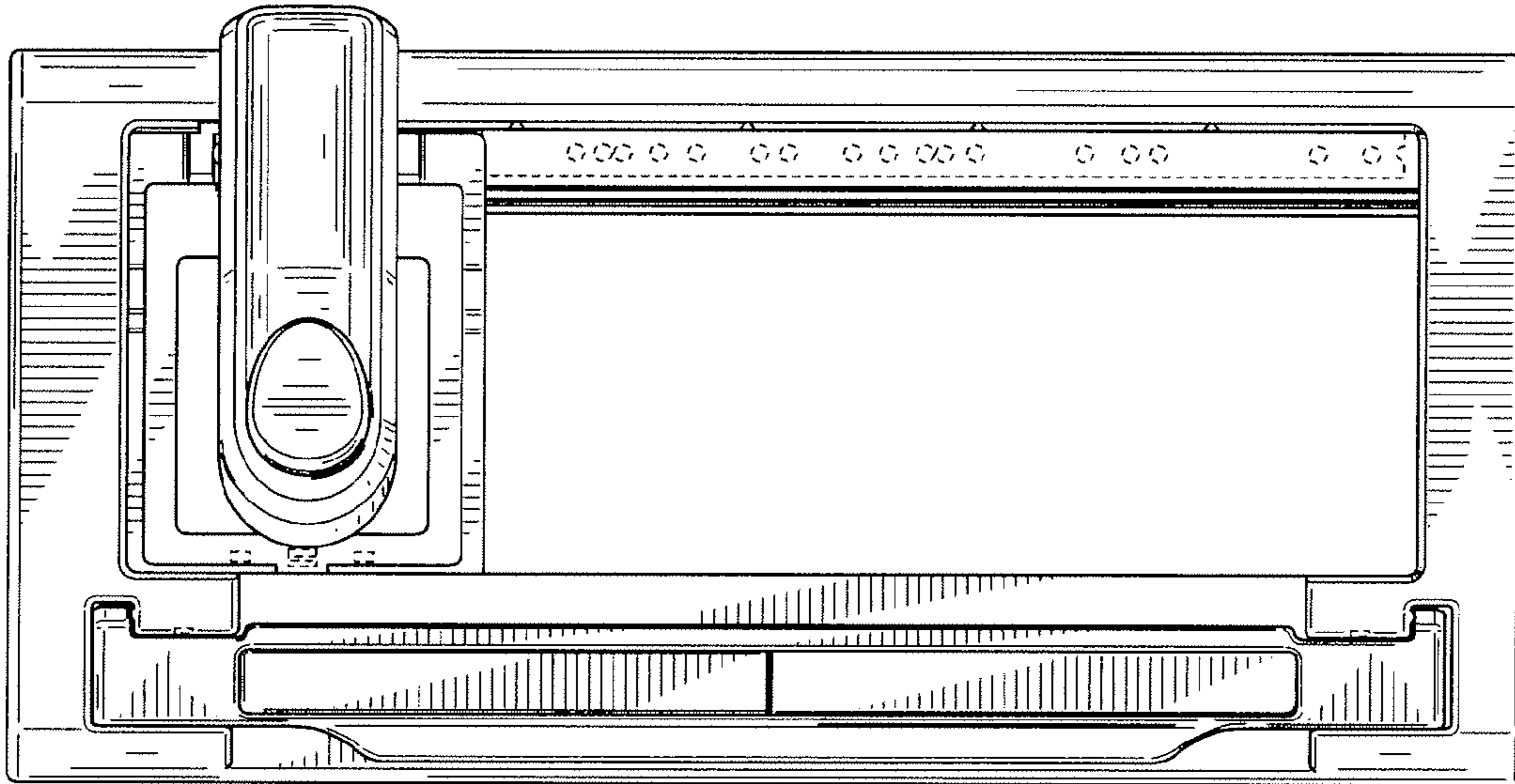


FIG. 6

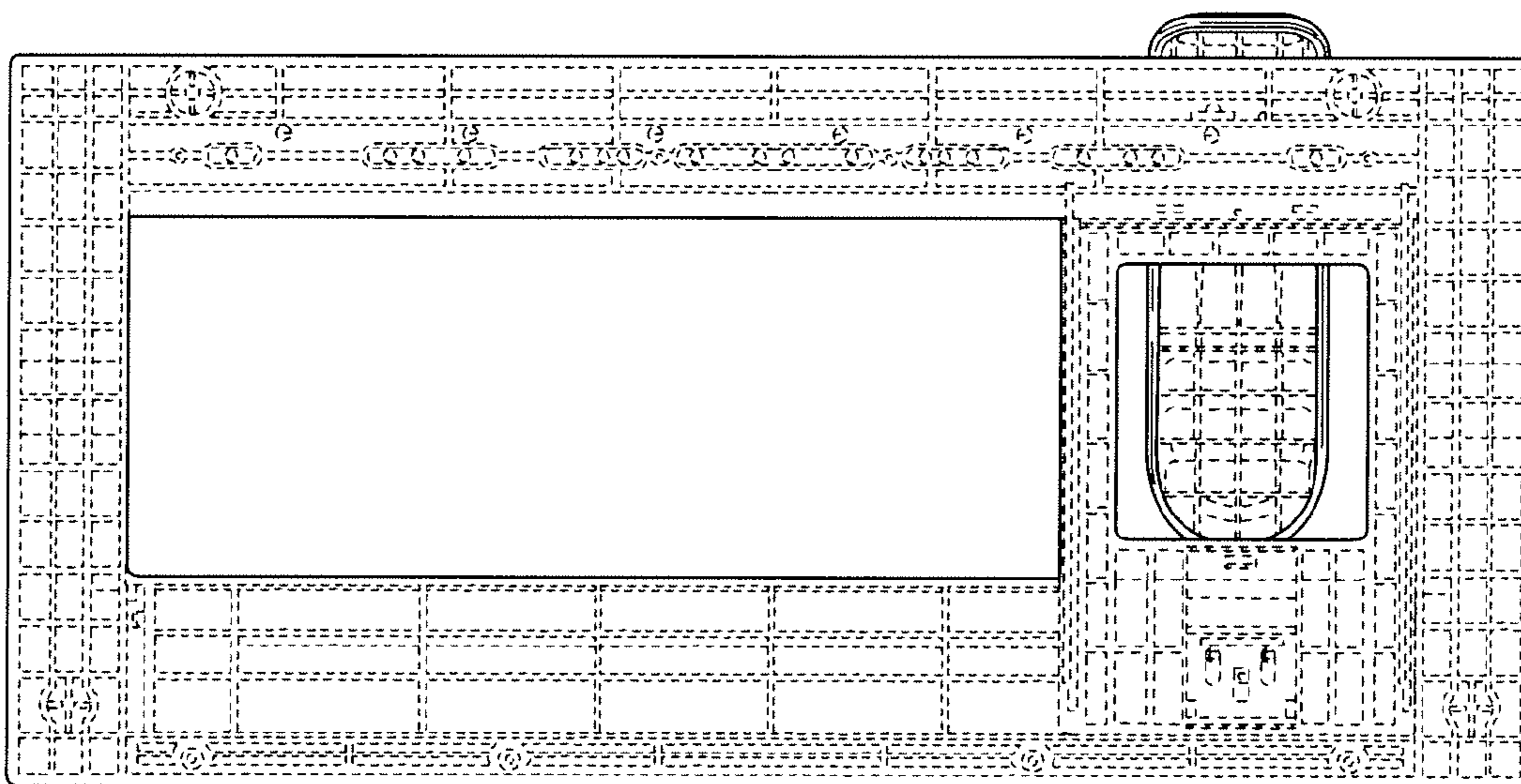


FIG. 7