



US00D685026S

(12) **United States Design Patent**
Koo

(10) **Patent No.:** **US D685,026 S**

(45) **Date of Patent:** **** Jun. 25, 2013**

- (54) **PEN**
- (75) Inventor: **Daniel Koo**, Arcadia, CA (US)
- (73) Assignee: **Ecoverte, LLC**, Arcadia, CA (US)
- (**) Term: **14 Years**
- (21) Appl. No.: **29/413,044**
- (22) Filed: **Feb. 9, 2012**
- (51) **LOC (9) Cl.** **19-06**
- (52) **U.S. Cl.**
USPC **D19/43**
- (58) **Field of Classification Search**
USPC .. D14/411; D19/35, 36, 41-51, 54-58; 24/11
F, 11 P, 11 R; 401/52, 99-109, 192, 195,
401/196; D28/7, 76, 88
See application file for complete search history.

D583,866 S *	12/2008	Eddington et al.	D19/49
D591,793 S *	5/2009	Booker	D19/49
D603,900 S *	11/2009	Jin	D19/54
D641,409 S *	7/2011	Wang et al.	D19/50
D641,787 S *	7/2011	Tan	D19/48
D647,964 S *	11/2011	Wang et al.	D19/50
D651,243 S *	12/2011	Yuan	D19/49
D662,983 S *	7/2012	Zhang	D19/50
D669,128 S *	10/2012	Zhang	D19/50
D676,049 S *	2/2013	Lee et al.	D14/411

* cited by examiner

Primary Examiner — Elizabeth Albert

(74) *Attorney, Agent, or Firm* — Barceló, Harrison & Walker, LLP.

(57) **CLAIM**

The ornamental design for a pen, as shown and described.

DESCRIPTION

FIG. 1 is an exploded left side perspective view of a pen showing my new design;
 FIG. 2 is a left side elevational view of the pen of FIG. 1 shown without the other part for convenience of illustration;
 FIG. 3 is a left side elevational view of the cap of FIG. 1 shown without the other part for convenience of illustration;
 FIG. 4 is a top view of the blind cap of FIG. 1 shown without the other parts for convenience of illustration;
 FIG. 5 is a front elevational view of the pen shown without the other parts for convenience of illustration;
 FIG. 6 is a front elevational view of the cap shown without the other parts for convenience of illustration;
 FIG. 7 is a bottom view of the cap shown without the other parts for convenience of illustration; and,
 FIG. 8 is a left side elevational exploded view of the pen.

1 Claim, 5 Drawing Sheets

(56) **References Cited**

U.S. PATENT DOCUMENTS

1,721,215 A *	7/1929	Harding	206/227
D205,645 S *	8/1966	Lovejoy	D19/49
D294,263 S *	2/1988	Rodgers et al.	D14/411
D305,245 S *	12/1989	Chuang	D19/57
D385,916 S *	11/1997	Katami	D19/48
D385,918 S *	11/1997	Katami	D19/57
D402,695 S *	12/1998	Izushima	D19/51
D426,263 S *	6/2000	Sekine et al.	D19/48
D426,573 S *	6/2000	Sekine et al.	D19/48
D441,398 S *	5/2001	Owen et al.	D19/49
D471,587 S *	3/2003	Hautzinger	D19/43
D479,856 S *	9/2003	Hui	D19/43
D482,397 S *	11/2003	Hui	D19/43
D498,494 S *	11/2004	Conklin et al.	D19/51
D562,396 S *	2/2008	Qiu et al.	D19/51

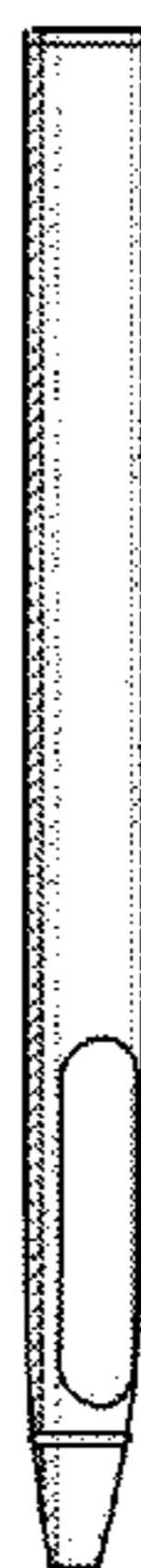


Fig.1

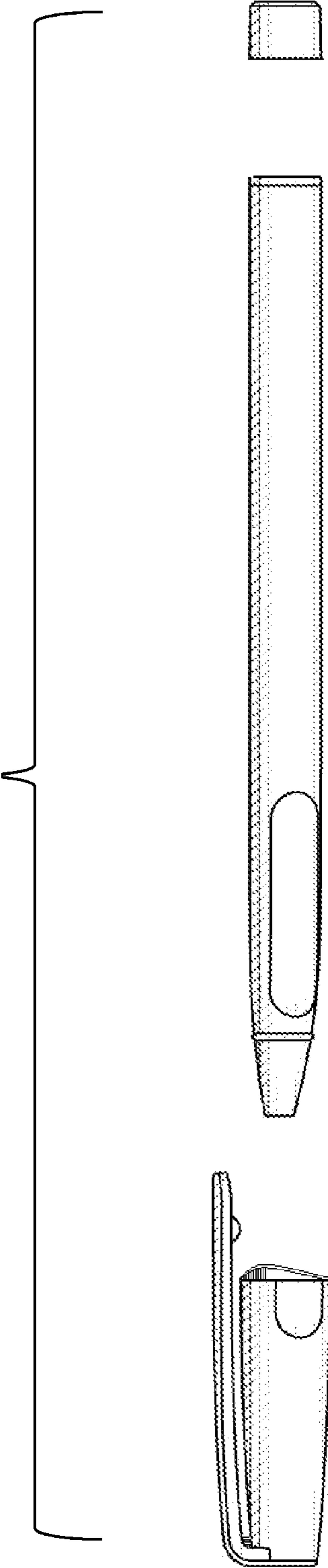


Fig.2



Fig.3

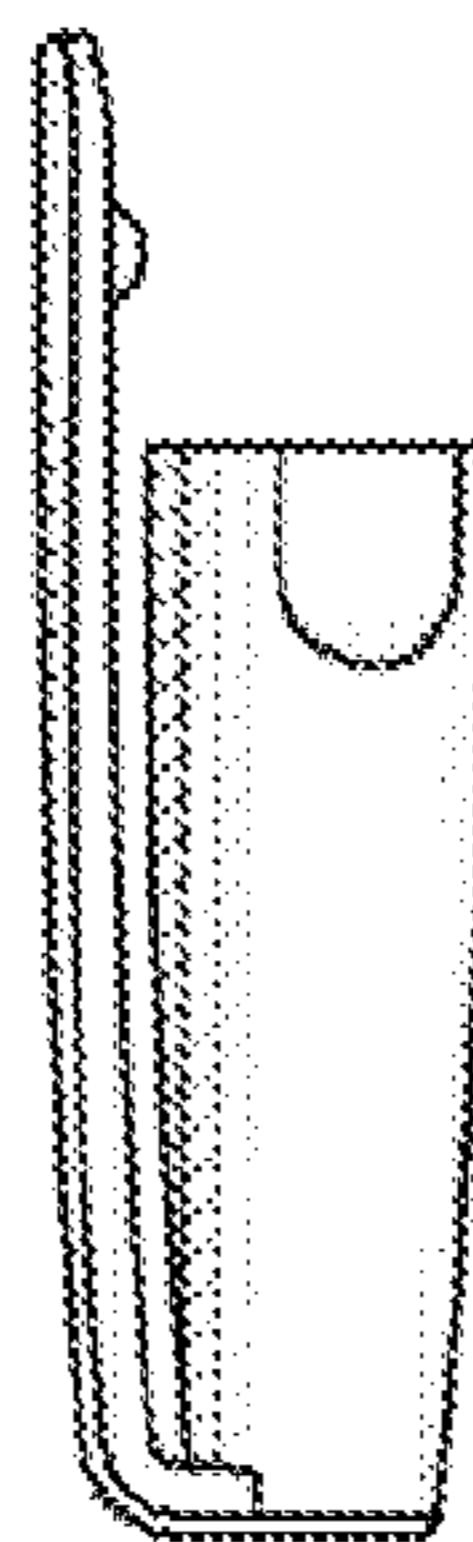


Fig.4



Fig.5

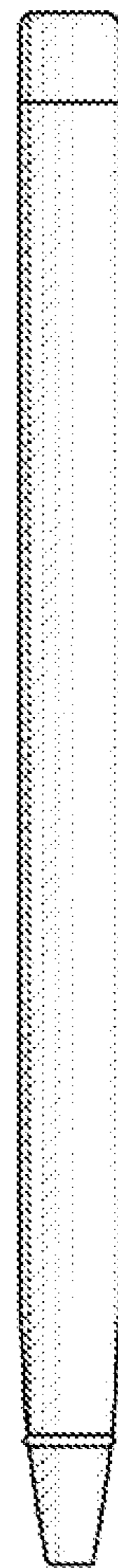


Fig.6

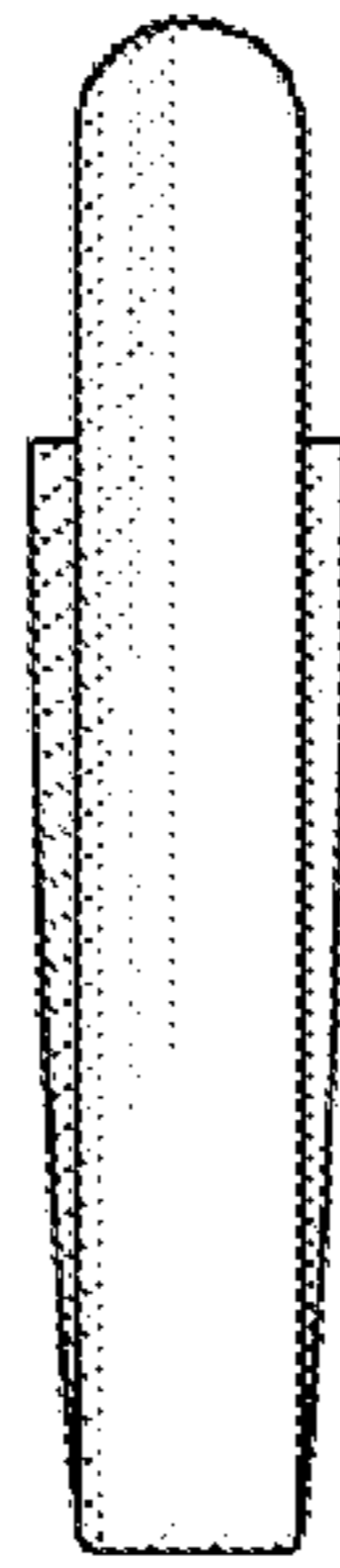


Fig.7



