



US00D685025S

(12) **United States Design Patent**
André

(10) **Patent No.:** **US D685,025 S**
(45) **Date of Patent:** **** Jun. 25, 2013**

- (54) **BASE FOR A DATE CALENDAR**
- (71) Applicant: **Intermed Asia Limited**, Kowloon (HK)
- (72) Inventor: **Olivier André**, Pok Fu Lam (HK)
- (73) Assignee: **Intermed Asia Limited**, Hung Hom, Kowloon (HK)
- (**) Term: **14 Years**
- (21) Appl. No.: **29/437,955**
- (22) Filed: **Nov. 21, 2012**

Related U.S. Application Data

- (62) Division of application No. 29/418,584, filed on Apr. 18, 2012.

(30) **Foreign Application Priority Data**

Oct. 18, 2011 (CN) 2011 3 0388323
 Oct. 18, 1920 (HK) 1101809

(51) **LOC (9) Cl.** **19-03**

(52) **U.S. Cl.**
USPC **D19/20**

(58) **Field of Classification Search**
USPC D19/1-12, 20-34, 75-77, 86, 59,
D19/91; 40/124.01-124.15, 726, 109-110,
40/107, 113-117, 118, 358, 649, 642.02;
283/2-3; D20/10, 20, 27, 40, 15, 43; 368/28,
368/276-278; D10/15, 2-3; 206/214-215;
281/44; 248/148; 211/13.1, 50, 24; D6/449

See application file for complete search history.

(56) **References Cited**

U.S. PATENT DOCUMENTS

D149,335	S	*	4/1948	Beaty	D19/23
2,782,539	A	*	2/1957	Baker	40/111
3,564,741	A	*	2/1971	Kahre et al.	40/107
3,670,436	A	*	6/1972	Weissman	40/107
4,136,473	A	*	1/1979	Coe	40/518
D257,778	S	*	1/1981	Macowski	D19/99
D260,405	S	*	8/1981	Tarrant et al.	D19/20
D292,715	S	*	11/1987	Hill	D19/25
D298,550	S	*	11/1988	Tarrant	D19/20
5,696,739	A	*	12/1997	Chang	368/29
D390,883	S	*	2/1998	Watkins et al.	D20/43
D498,789	S	*	11/2004	Lawson	D19/25
7,397,731	B2	*	7/2008	Scurlock et al.	368/28

* cited by examiner

Primary Examiner — Caron D Veynar

Assistant Examiner — Abraham Bahta

(74) *Attorney, Agent, or Firm* — Merchant & Gould P.C.

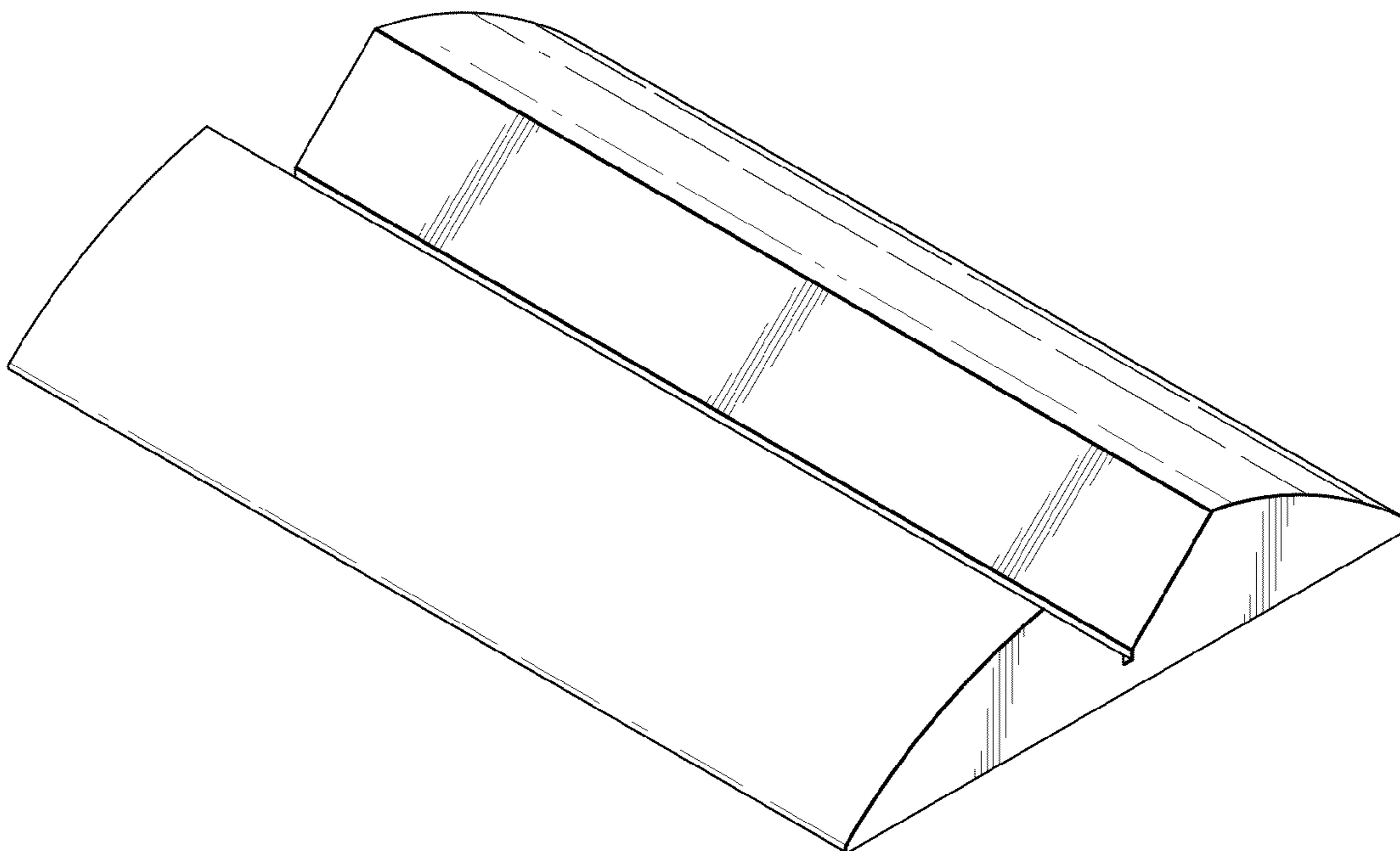
(57) **CLAIM**

The ornamental design for a base for a date calendar, as shown and described.

DESCRIPTION

FIG. 1 is a perspective view of the base for a date calendar showing my new design;
 FIG. 2 is a front view thereof;
 FIG. 3 is a back view thereof;
 FIG. 4 is a side view thereof;
 FIG. 5 is another side view thereof;
 FIG. 6 is a top view thereof; and,
 FIG. 7 is a bottom view thereof.

1 Claim, 7 Drawing Sheets



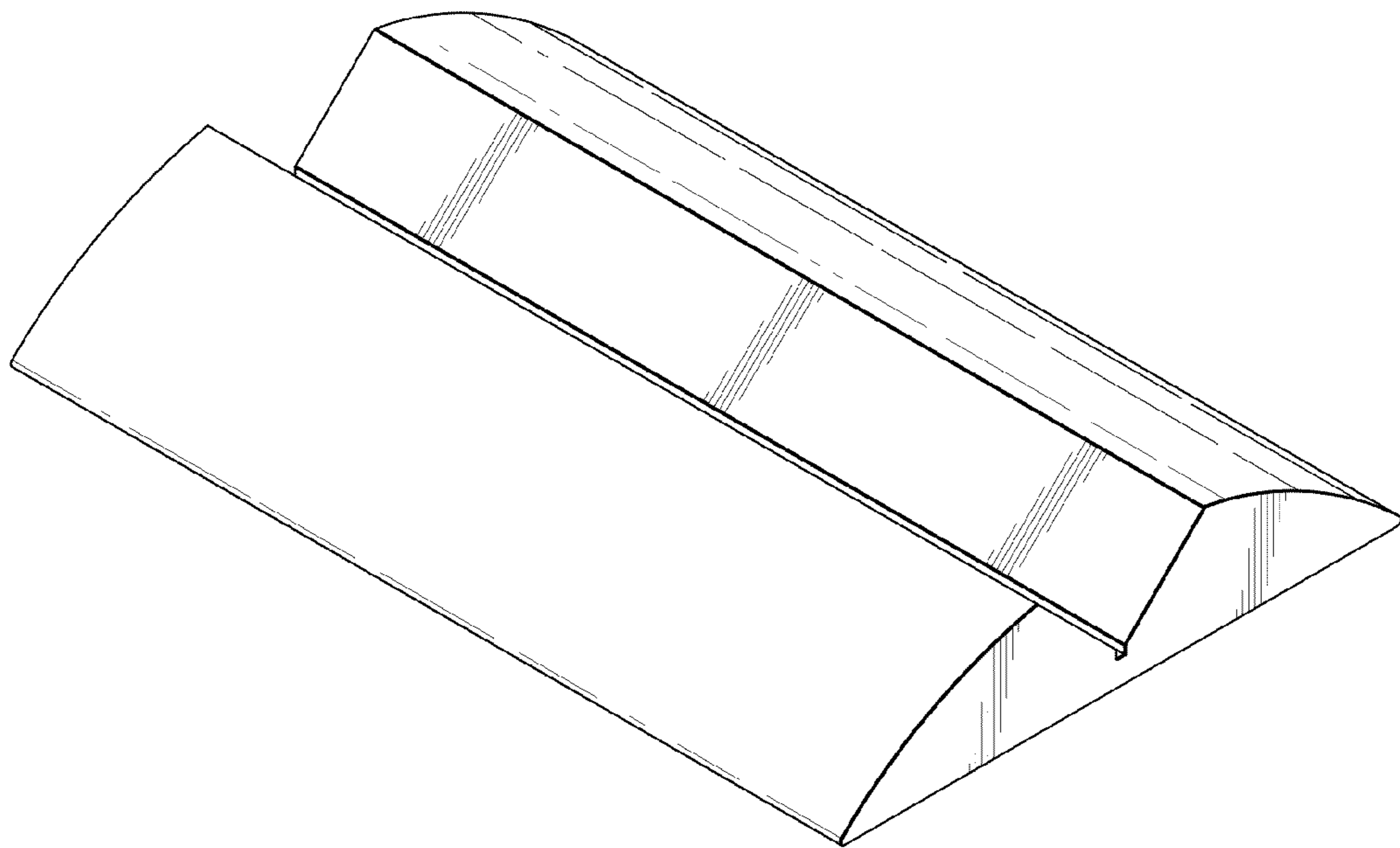


FIG. 1

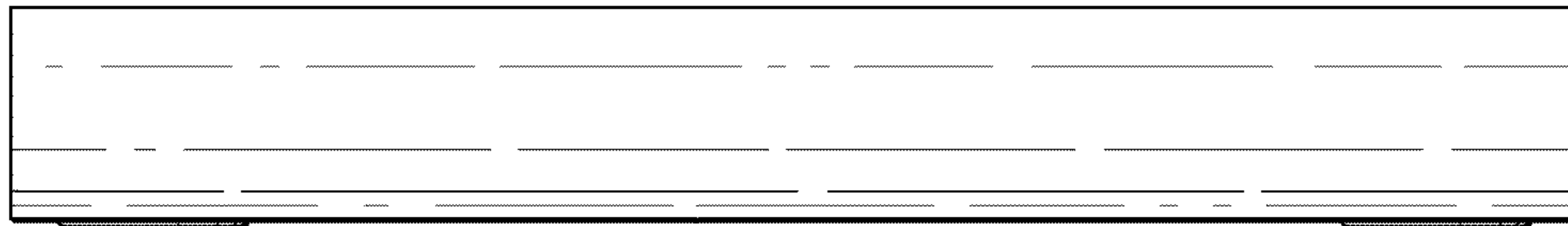


FIG. 2

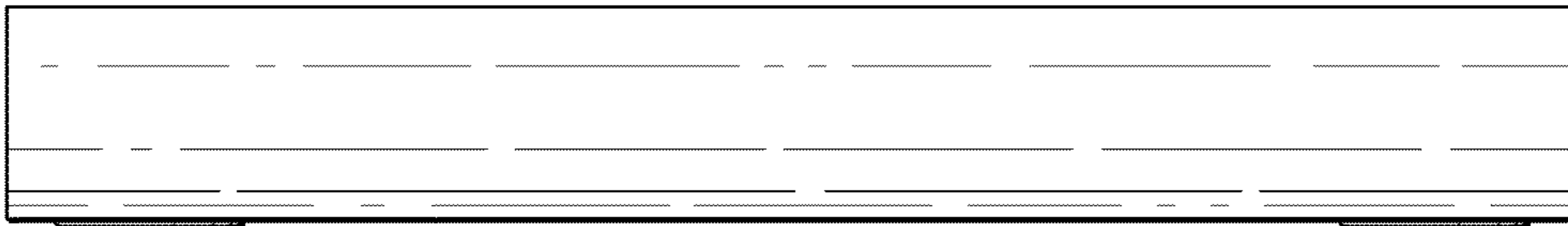


FIG. 3

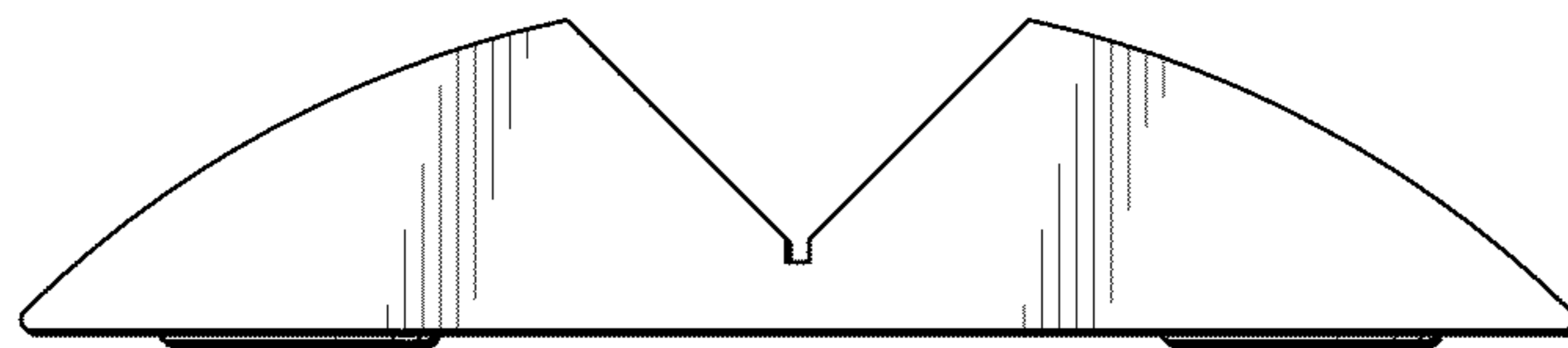


FIG. 4

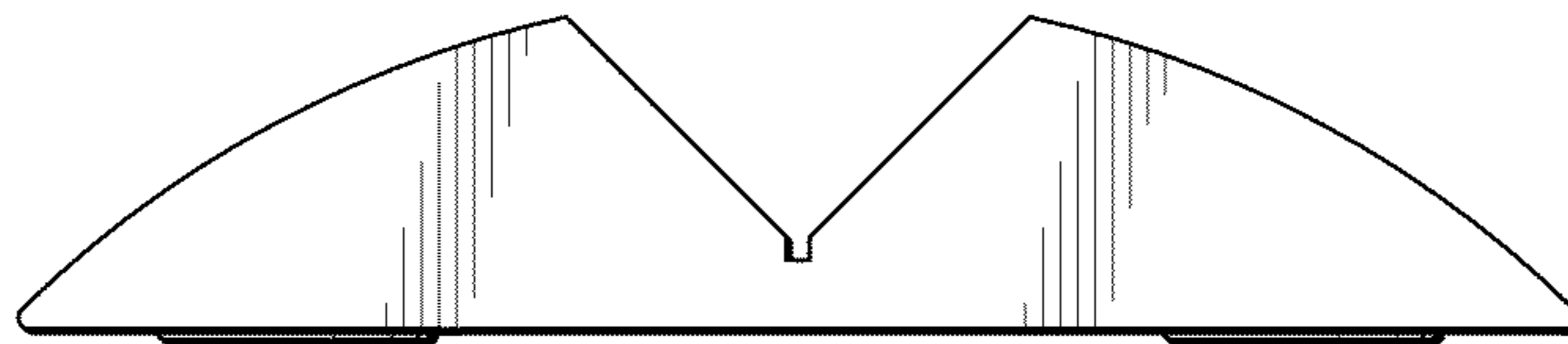


FIG. 5

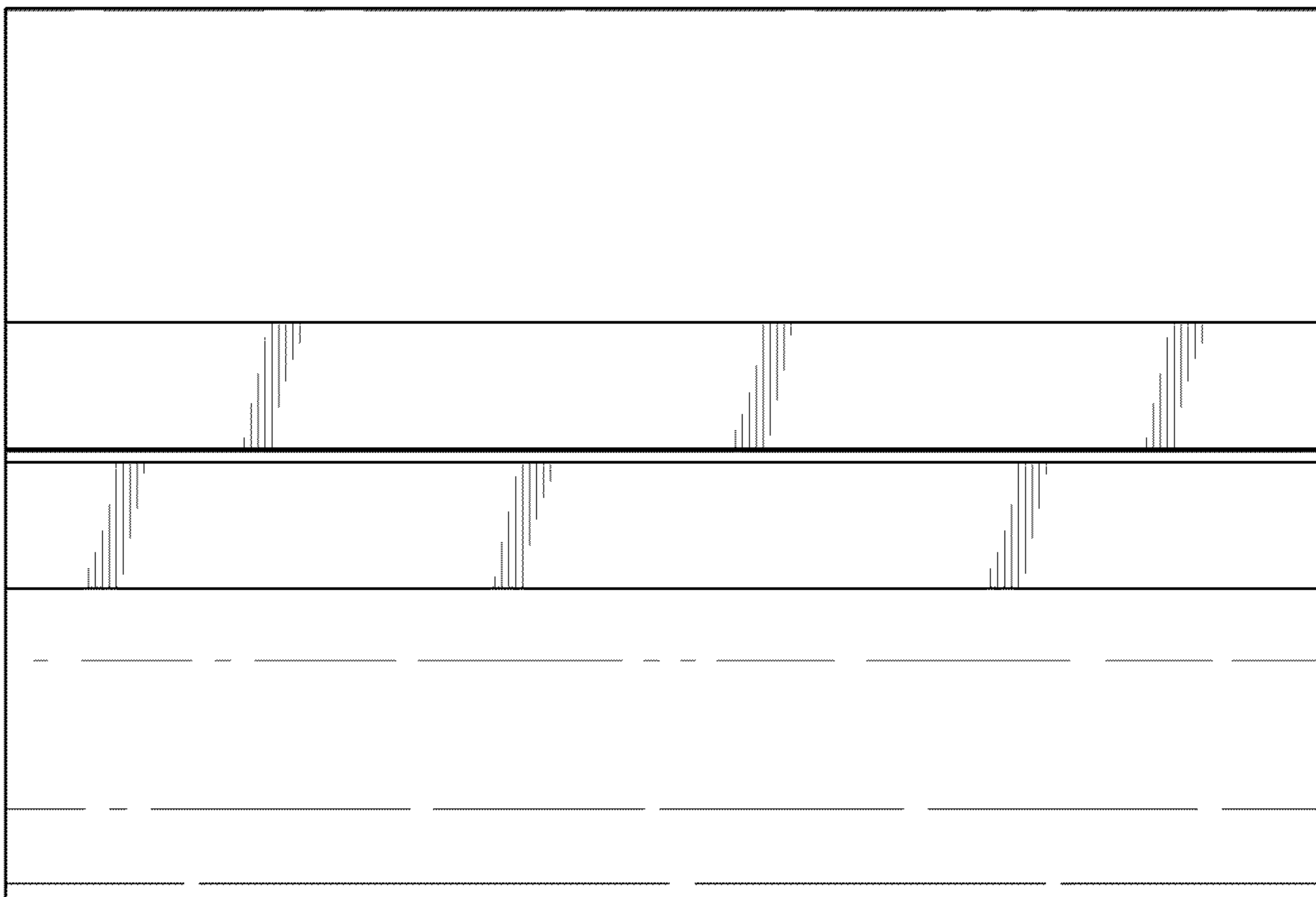


FIG. 6

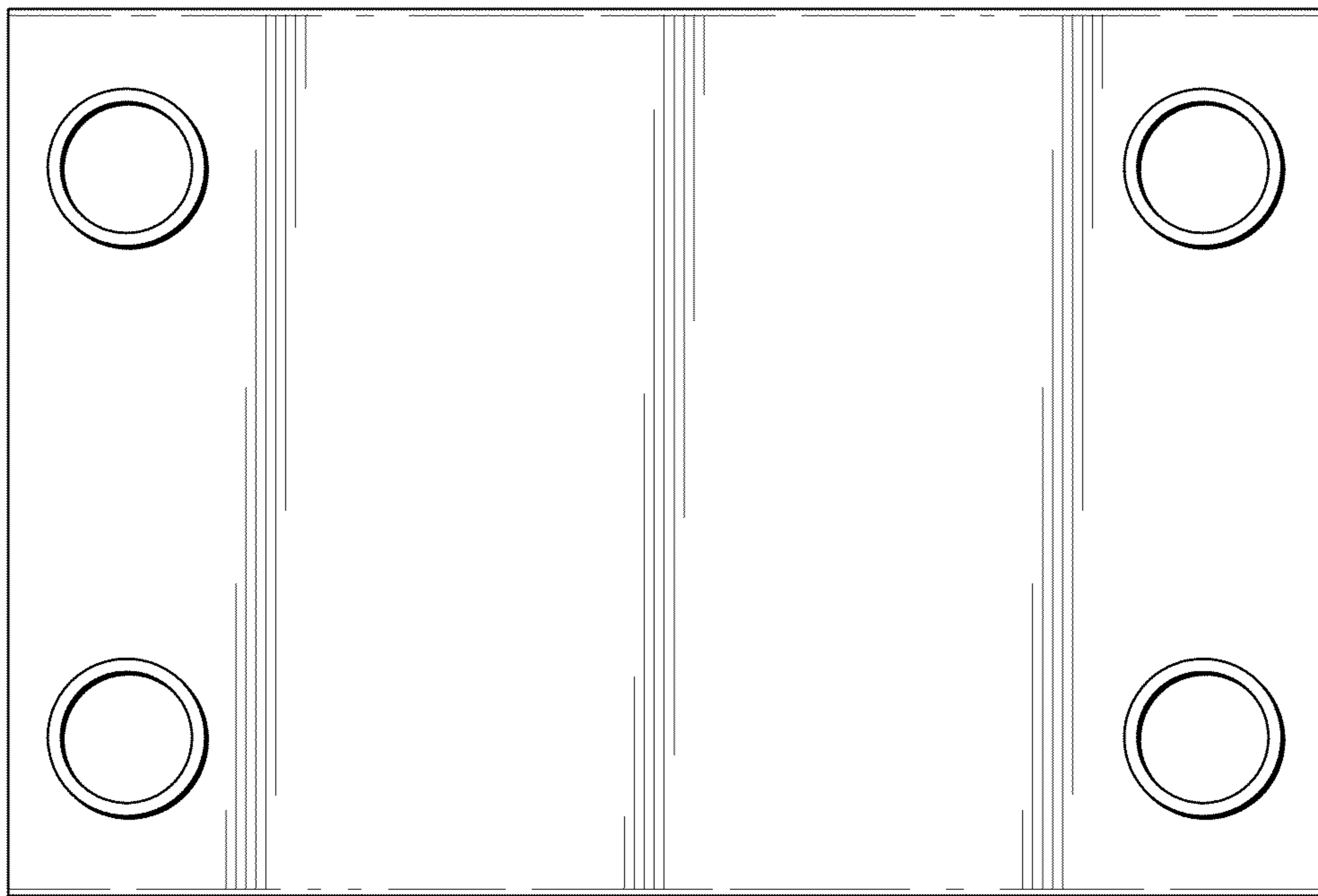


FIG. 7