



US00D685024S

(12) **United States Design Patent**  
**Shibui et al.**

(10) **Patent No.:** **US D685,024 S**  
(45) **Date of Patent:** **\*\* Jun. 25, 2013**

(54) **PRINTER**

(75) Inventors: **Kensuke Shibui**, Minato-ku (JP);  
**Haruki Takeuchi**, Minato-ku (JP);  
**Toshihiko Furukawa**, Minato-ku (JP)

(73) Assignee: **Sinfonia Technology Co., Ltd.**, Tokyo (JP)

(\*\*) Term: **14 Years**

(21) Appl. No.: **29/414,249**

(22) Filed: **Feb. 27, 2012**

(30) **Foreign Application Priority Data**

Aug. 29, 2011 (JP) ..... 2011-019454

(51) **LOC (9) Cl.** ..... **14-02**

(52) **U.S. Cl.**  
USPC ..... **D18/50**

(58) **Field of Classification Search**  
USPC ..... D18/14, 19, 36-37, 50, 54, 54.1,  
D18/55; D14/452-425, 463-470; 400/613,  
400/613.1-613.4, 690, 690.1-690.4, 691-694  
See application file for complete search history.

(56) **References Cited**

**U.S. PATENT DOCUMENTS**

D321,190 S \* 10/1991 Ito et al. .... D18/50  
D322,275 S \* 12/1991 Takeda et al. .... D18/50  
D358,414 S \* 5/1995 Takeda ..... D18/50

D397,357 S \* 8/1998 Herman et al. .... D18/55  
D428,051 S \* 7/2000 Ikenaga ..... D18/50  
D523,072 S \* 6/2006 Lee et al. .... D18/50  
D532,816 S \* 11/2006 Smith et al. .... D18/50  
7,182,534 B2 \* 2/2007 Proulx et al. .... 400/693  
D540,852 S \* 4/2007 Huang et al. .... D18/50  
D562,378 S \* 2/2008 Kim et al. .... D18/50  
D640,736 S \* 6/2011 Kimura et al. .... D18/50

\* cited by examiner

*Primary Examiner* — Cathy A MacCormac

(74) *Attorney, Agent, or Firm* — Oblon, Spivak,  
McClelland, Maier & Neustadt, L.L.P.

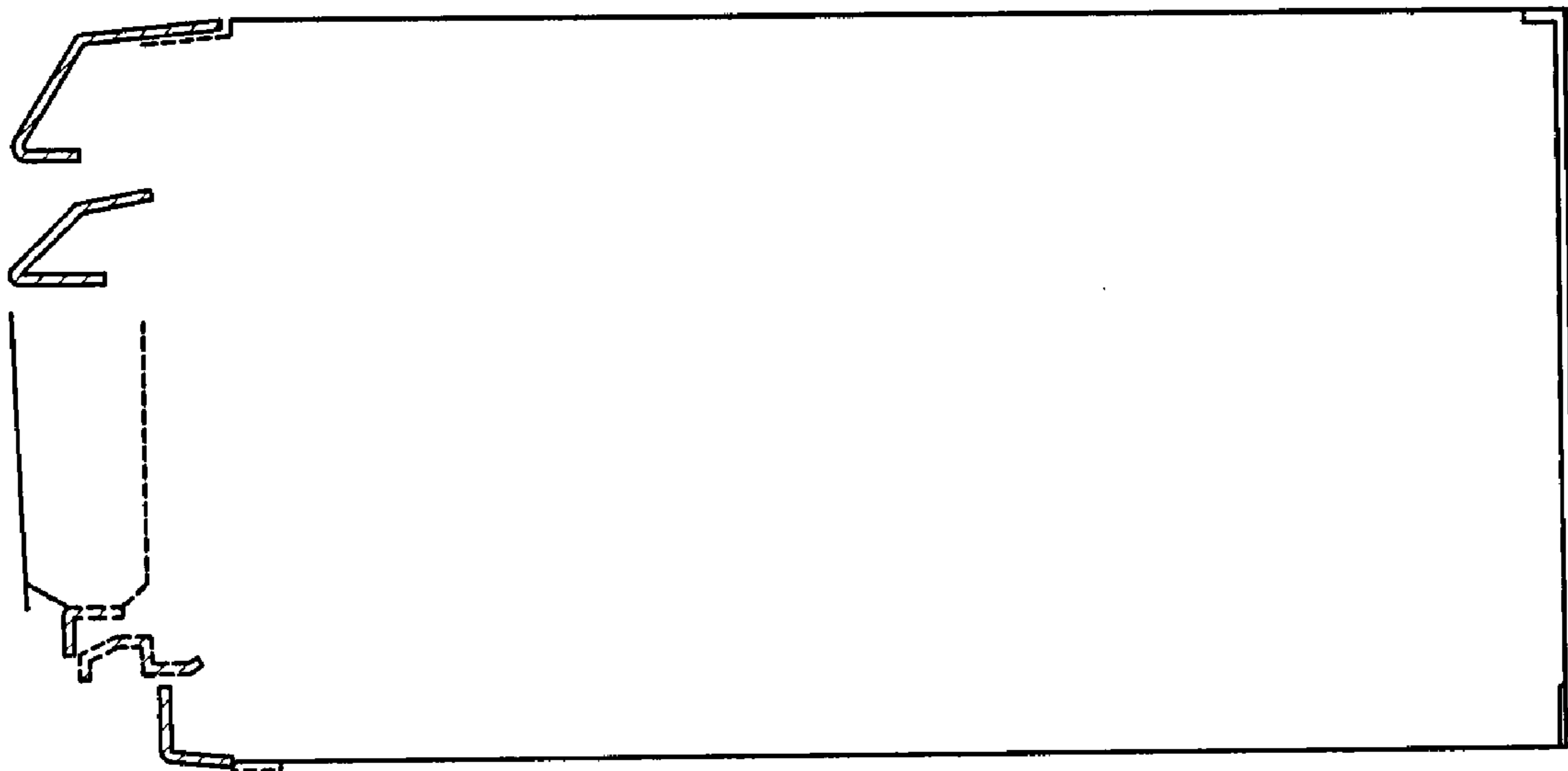
(57) **CLAIM**

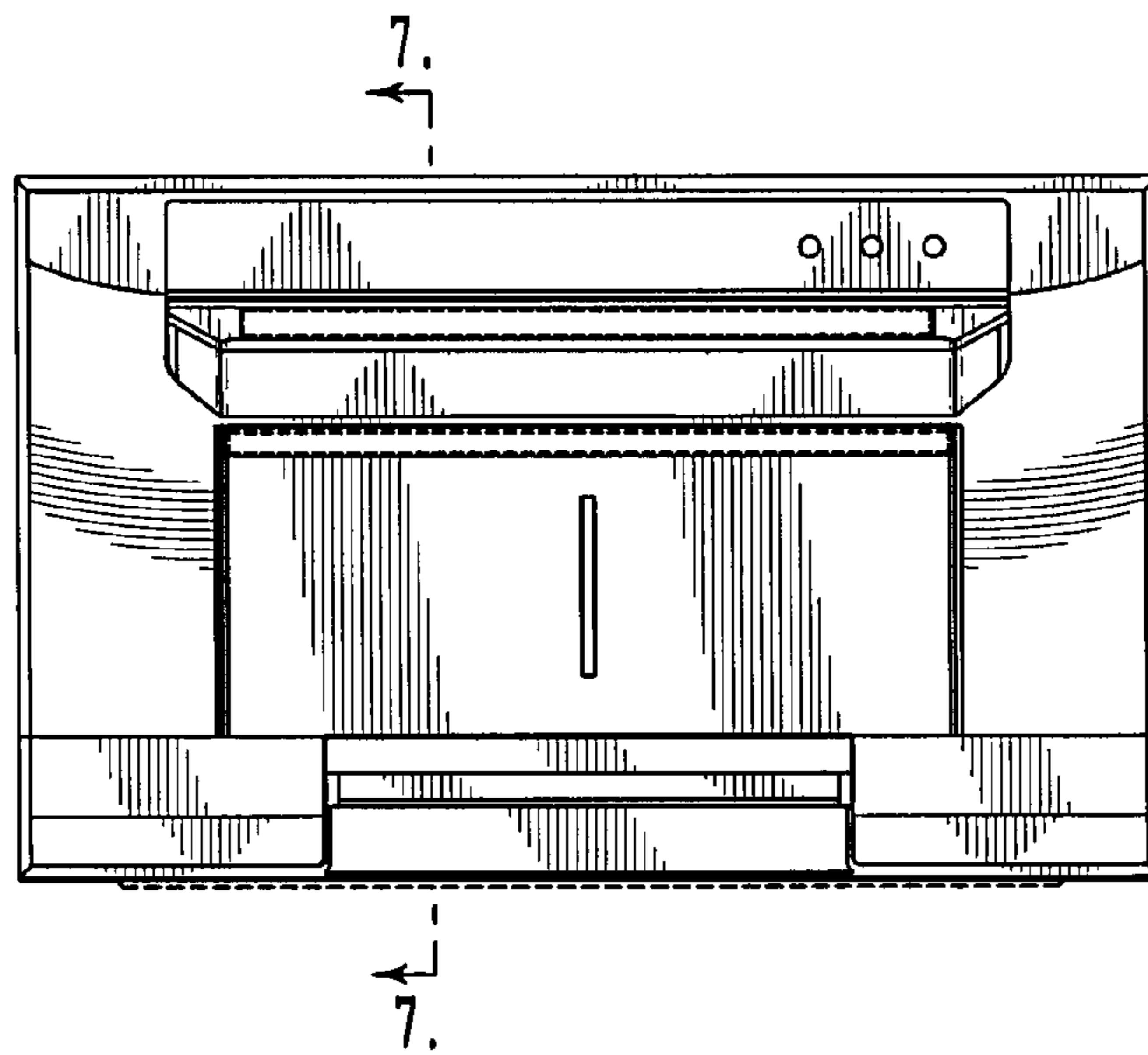
The ornamental design for a printer, as shown and described.

**DESCRIPTION**

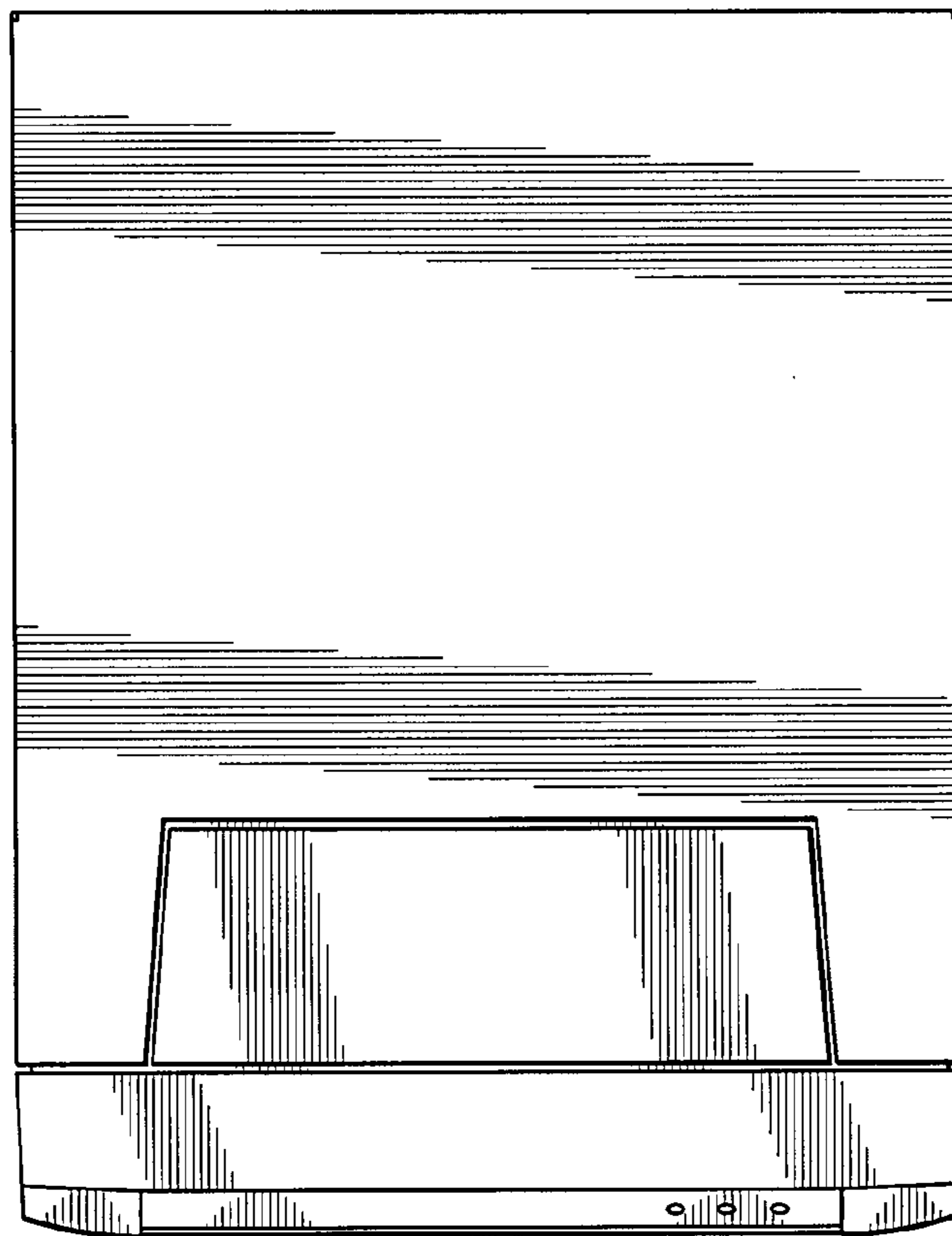
FIG. 1 is a front elevational view of a printer;  
FIG. 2 is a top plan view thereof;  
FIG. 3 is a bottom plan view thereof;  
FIG. 4 is a right side elevational view thereof;  
FIG. 5 is a left side elevational view thereof;  
FIG. 6 is a rear elevational view thereof;  
FIG. 7 is a cross-section view thereof taken along line 7-7 of FIG. 1; and,  
FIG. 8 is a front, top, and right side perspective view thereof.  
The broken lines in the drawings depict environmental subject matter only and form no part of the claimed design.

**1 Claim, 4 Drawing Sheets**

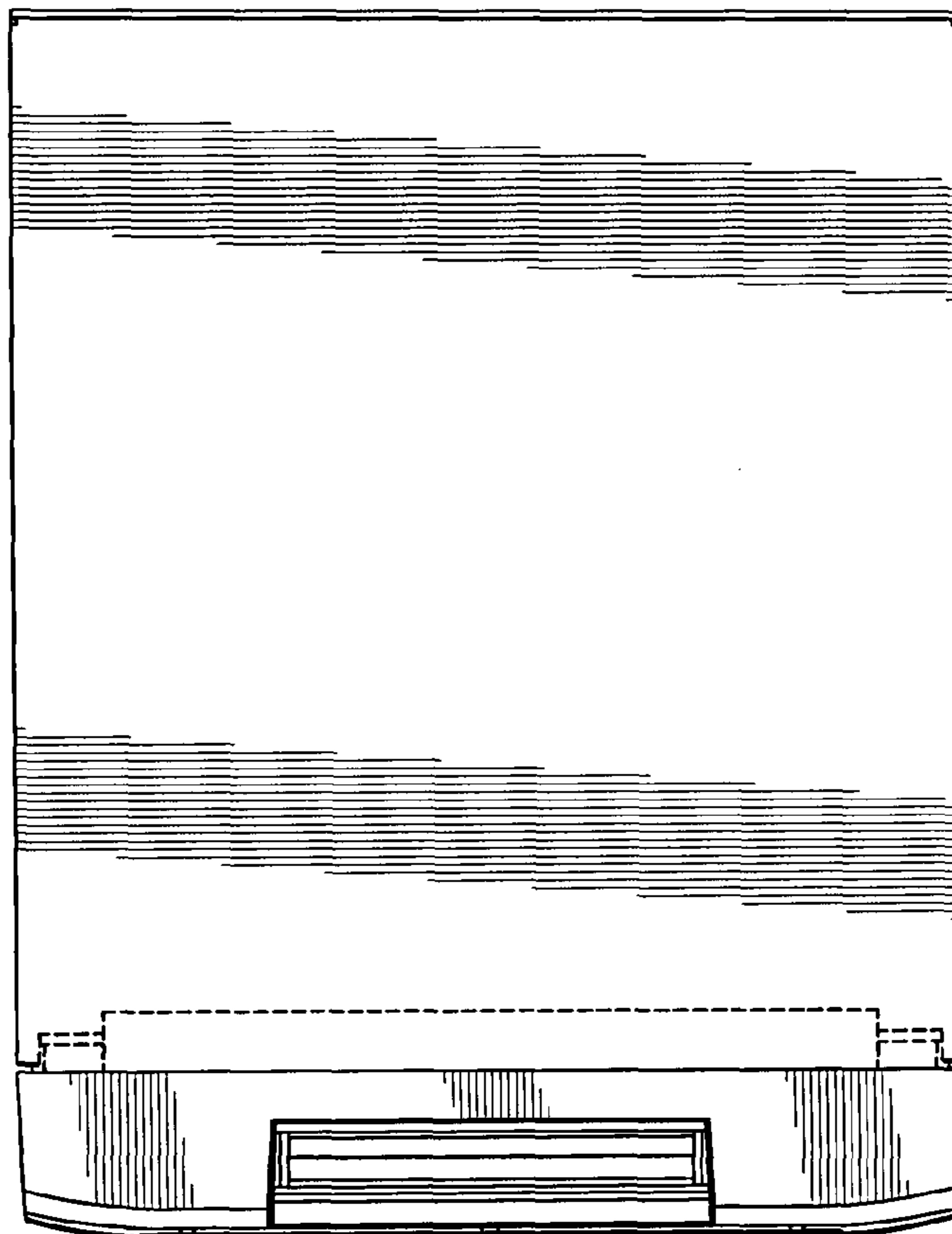




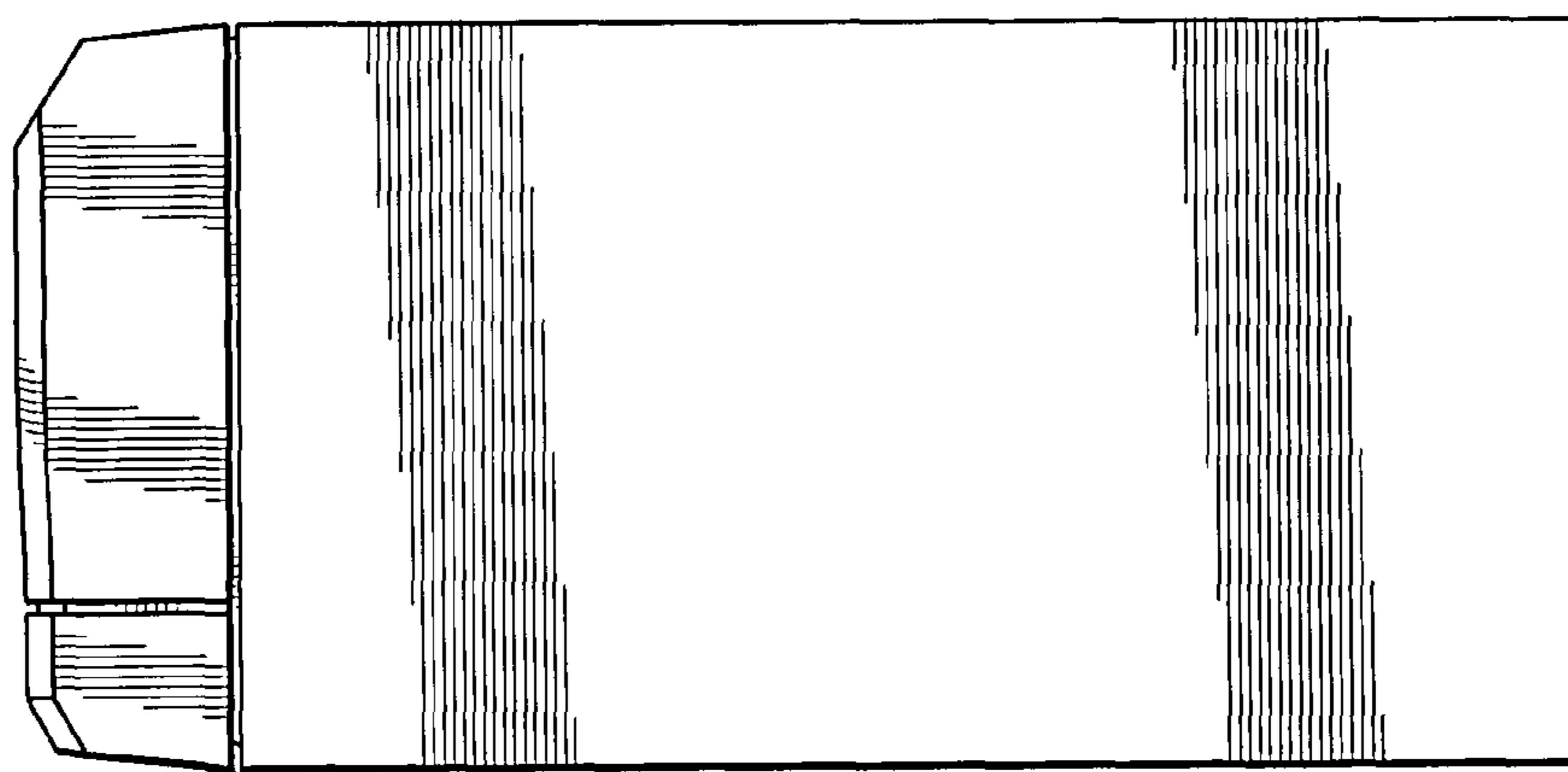
*Fig. 1*



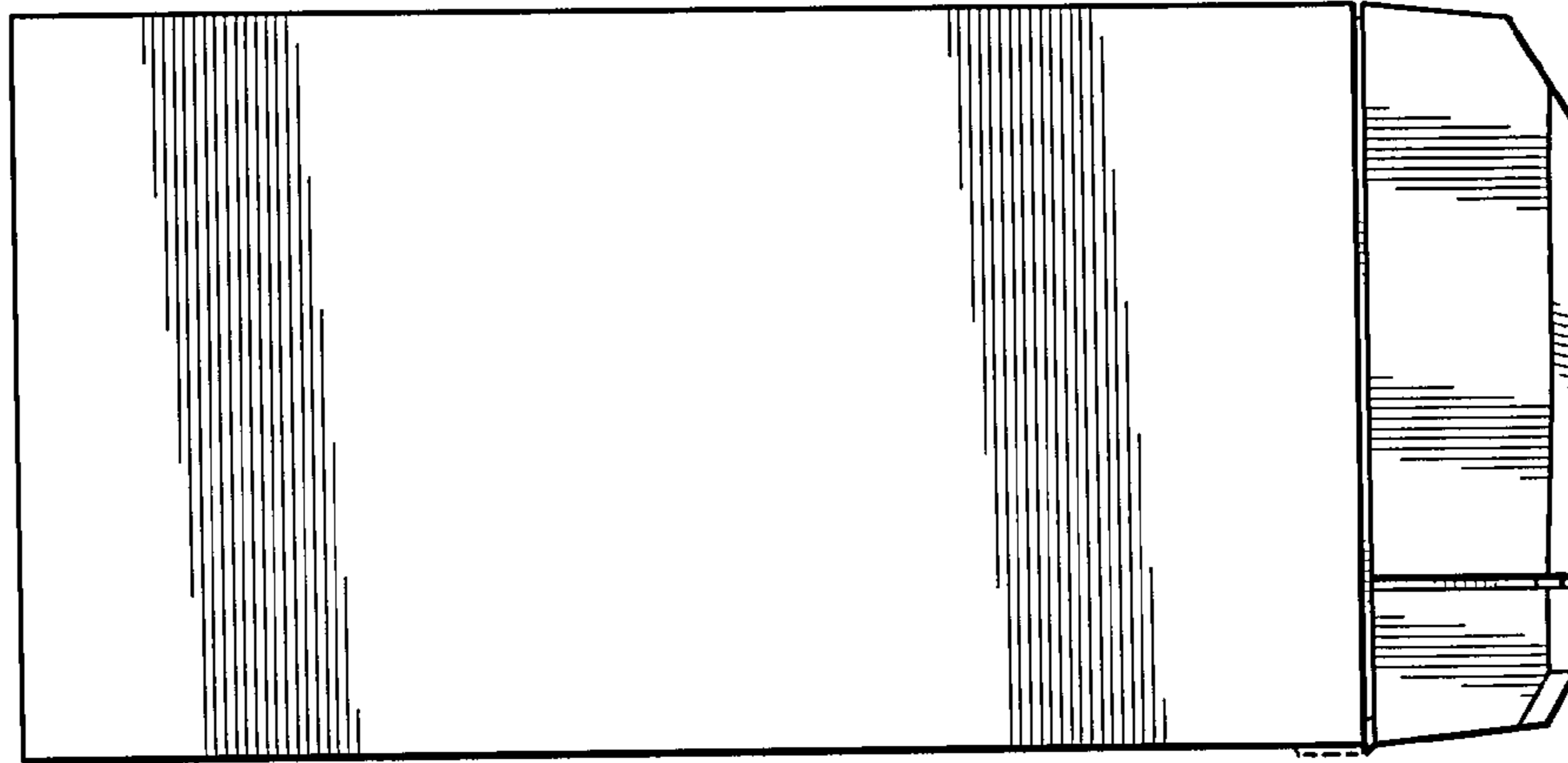
*Fig. 2*



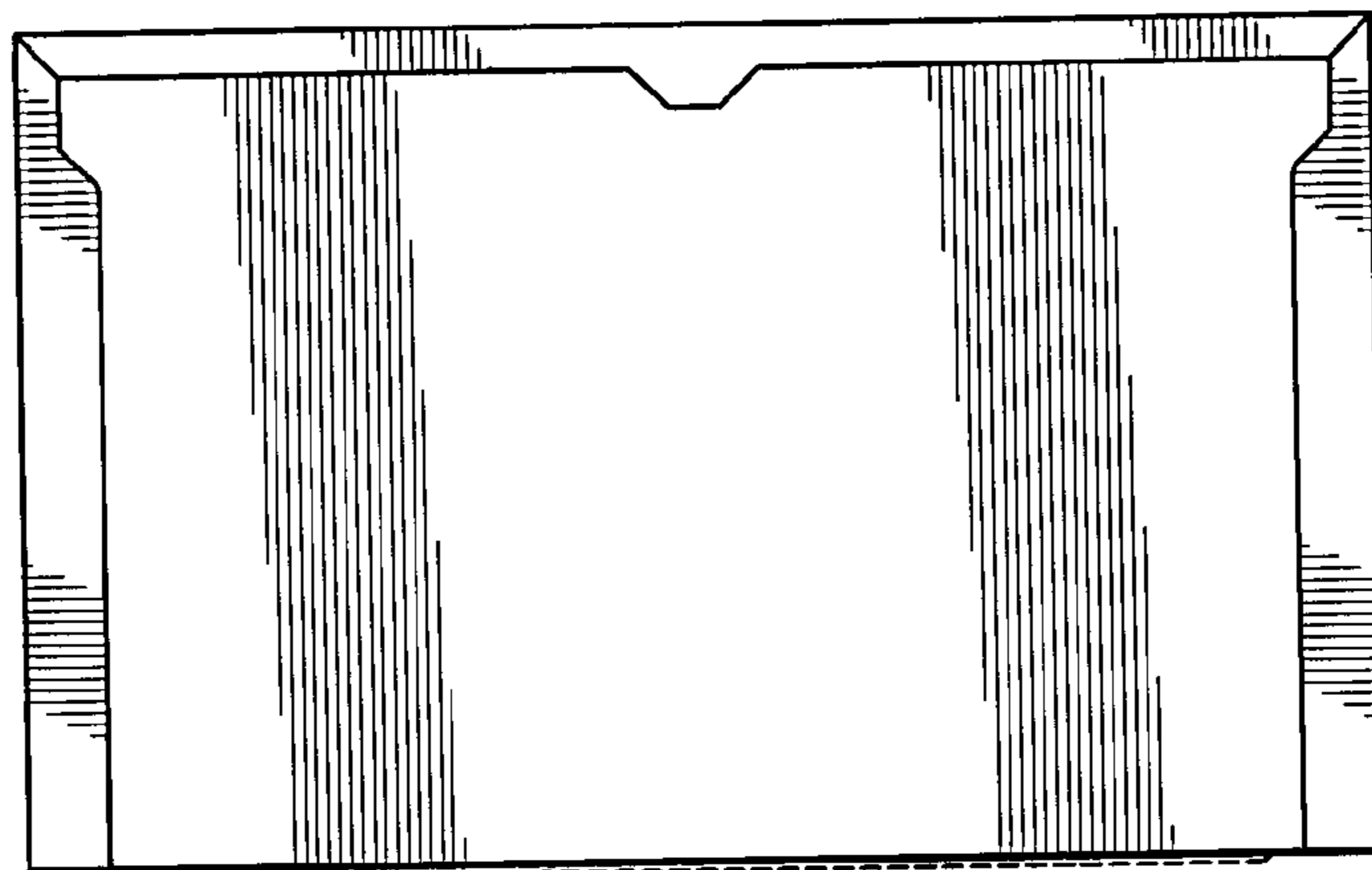
*Fig. 3*



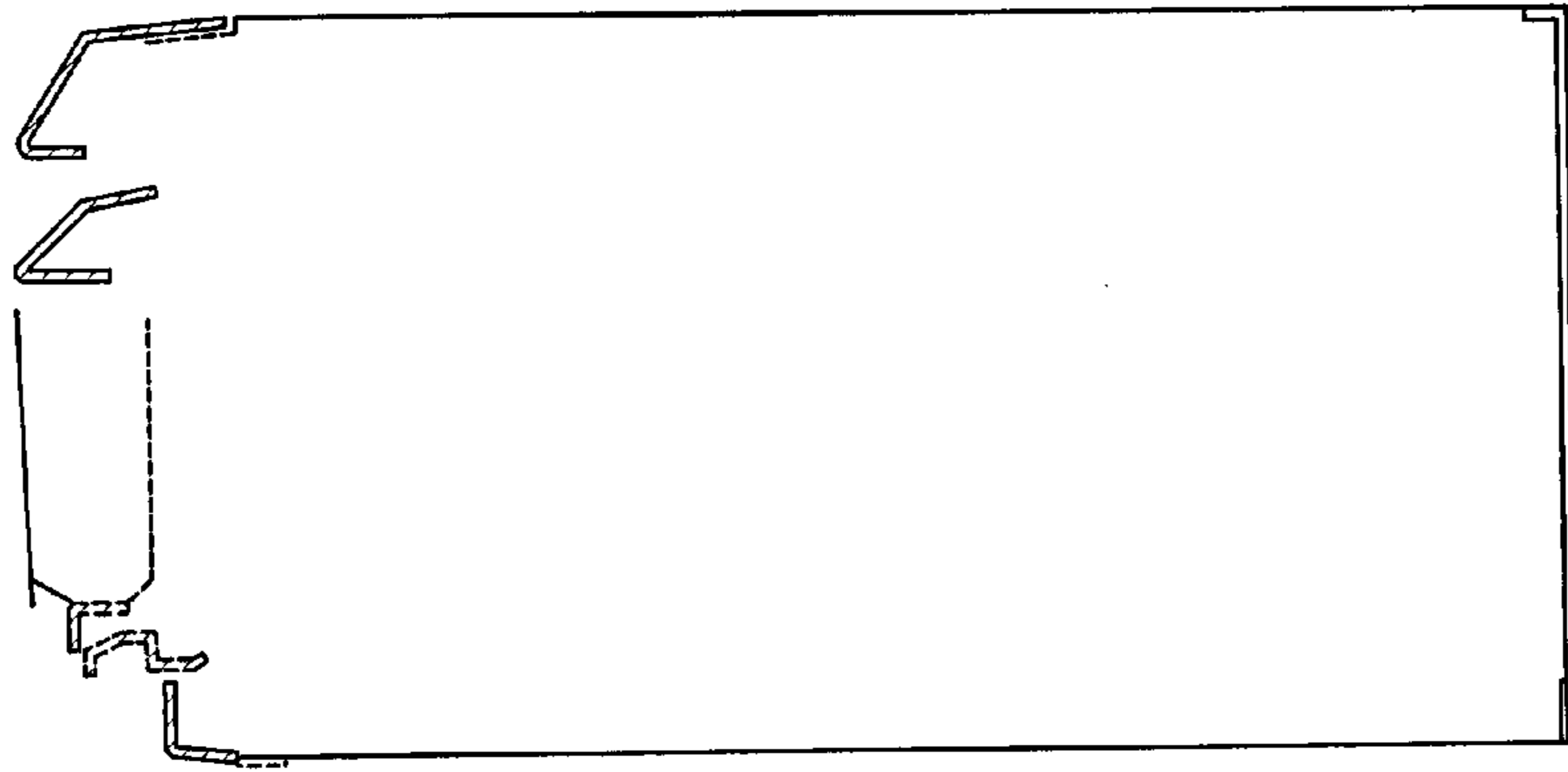
*Fig. 4*



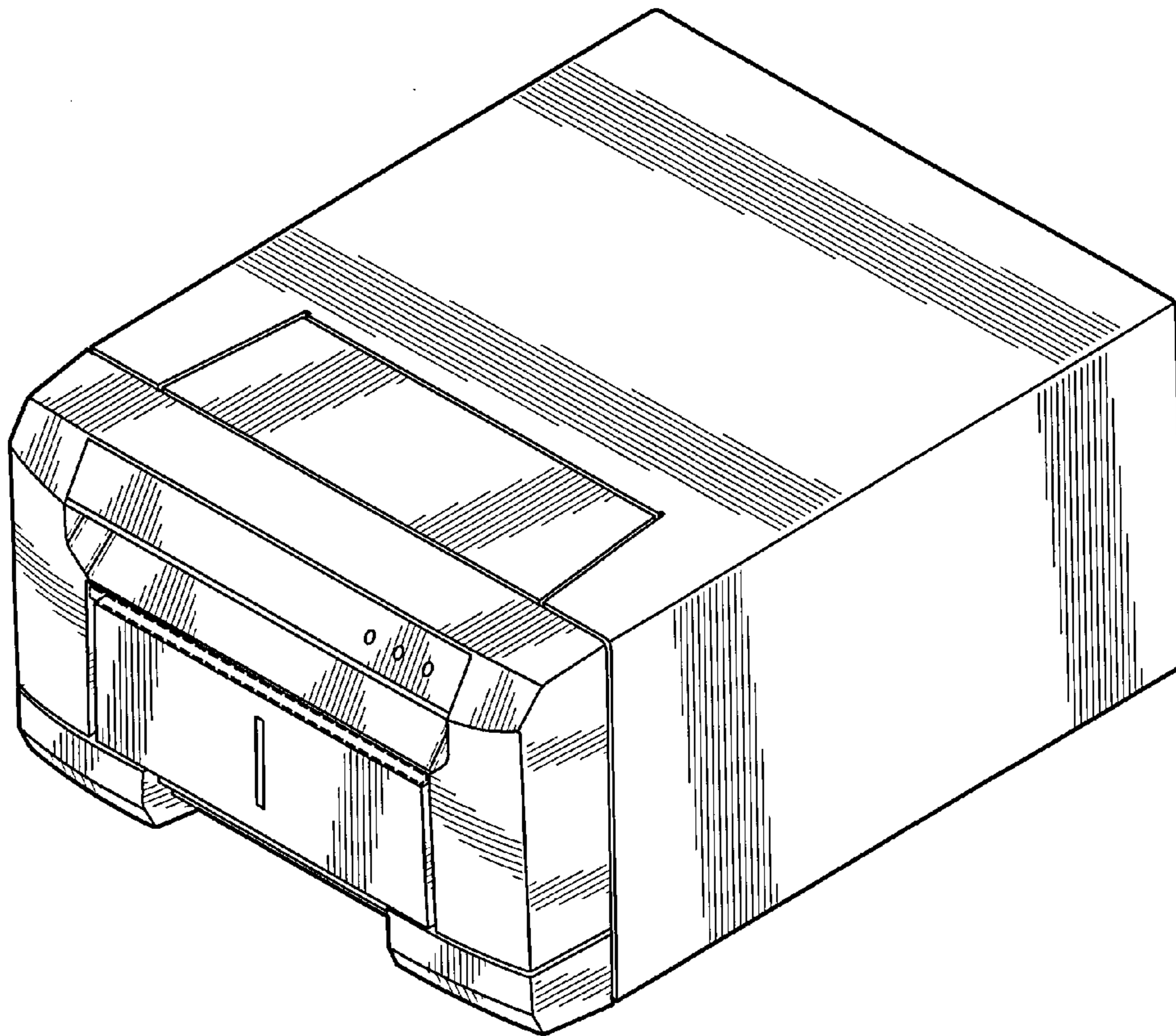
*Fig. 5*



*Fig. 6*



*Fig. 7*



*Fig. 8*