



US00D685023S

(12) **United States Design Patent**
Kurokawa et al.

(10) **Patent No.:** **US D685,023 S**
(45) **Date of Patent:** **** Jun. 25, 2013**

(54) **FLANGE FOR XEROGRAPHIC PHOTORECEPTOR**

(75) Inventors: **Keiichi Kurokawa**, Kawasaki (JP); **Yuji Ogawa**, Kawasaki (JP)

(73) Assignee: **Fuji Electric Co., Ltd.**, Kawasaki-shi, Kanagawa (JP)

(**) Term: **14 Years**

(21) Appl. No.: **29/429,406**

(22) Filed: **Aug. 10, 2012**

(30) **Foreign Application Priority Data**

May 2, 2012 (JP) D2012-010347

(51) **LOC (9) Cl.** **16-03**

(52) **U.S. Cl.**
USPC **D18/43**

(58) **Field of Classification Search**
USPC D14/471; D18/12, 36, 40, 43, 44, D18/56; 222/DIG. 1; 347/197, 222; 399/24–28, 399/107–112, 119, 121, 122, 222–224
See application file for complete search history.

(56) **References Cited**

U.S. PATENT DOCUMENTS

D395,058	S *	6/1998	Montes	D18/40
5,966,566	A *	10/1999	Odagawa et al.	399/109
6,029,032	A *	2/2000	Watanabe et al.	399/111
D537,472	S *	2/2007	Amano	D18/43
D618,720	S *	6/2010	Wasai	D18/43
D618,721	S *	6/2010	Wasai	D18/43
7,747,189	B2 *	6/2010	Shanun et al.	399/109
D620,522	S *	7/2010	Amano	D18/43
D667,049	S *	9/2012	Park et al.	D18/43
2009/0010681	A1 *	1/2009	Huck et al.	399/167
2010/0196047	A1 *	8/2010	Jin	399/111
2012/0257906	A1 *	10/2012	Zhao	399/111

* cited by examiner

Primary Examiner — Garth Rademaker

(74) *Attorney, Agent, or Firm* — Young Basile

(57) **CLAIM**

The ornamental design for a flange for xerographic photoreceptor, as shown and described.

DESCRIPTION

FIG. 1 is a front view of a flange for xerographic photoreceptor according to our new design;
 FIG. 2 is a rear view of the flange for xerographic photoreceptor of FIG. 1;
 FIG. 3 is a left side view of the flange for xerographic photoreceptor of FIG. 1;
 FIG. 4 is a right side view of the flange for xerographic photoreceptor of FIG. 1;
 FIG. 5 is a top view of the flange for xerographic photoreceptor of FIG. 1;
 FIG. 6 is a bottom view of the flange for xerographic photoreceptor of FIG. 1;
 FIG. 7 is a right side view of the flange for xerographic photoreceptor of FIG. 1, including cross-section indicia;
 FIG. 8 is a cross-section view of the flange for xerographic photoreceptor of FIG. 1, taken along line 8-8 of FIG. 7;
 FIG. 9 is a perspective view of the flange for xerographic photoreceptor of FIG. 1; and
 FIG. 10 is a front view thereof, shown at a reduced scale and in an alternate environment of use.

The evenly-spaced broken lines depict environmental subject matter and the unevenly-spaced broken line in FIG. 8 illustrates a boundary of the claimed design. None of the broken lines form any part of the claimed design.

The ornamental design of the present disclosure is a flange that can be fitted in an open end of a xerographic photoreceptor (also called a photoconductor drum). The xerographic photoreceptor can be incorporated in a process cartridge to be removably installed in electro-photographic application equipment, such as a copying machine, etc., and receives a rotational driving force from an apparatus main body. The xerographic photoreceptor is rotated by the rotational driving force to be transmitted to the flange to print a latent image of the xerographic photoreceptor on print media.

1 Claim, 10 Drawing Sheets

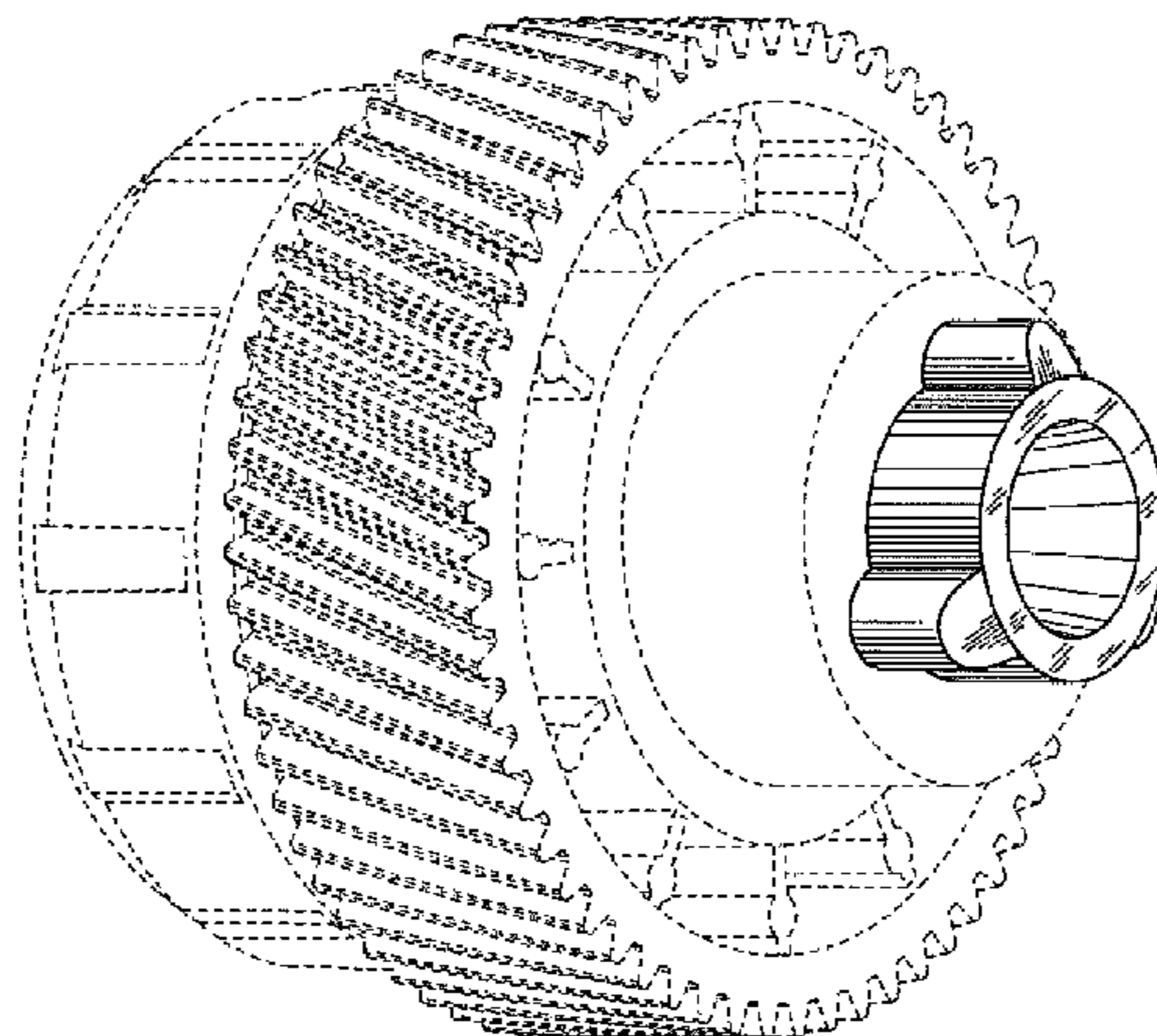


Fig. 1

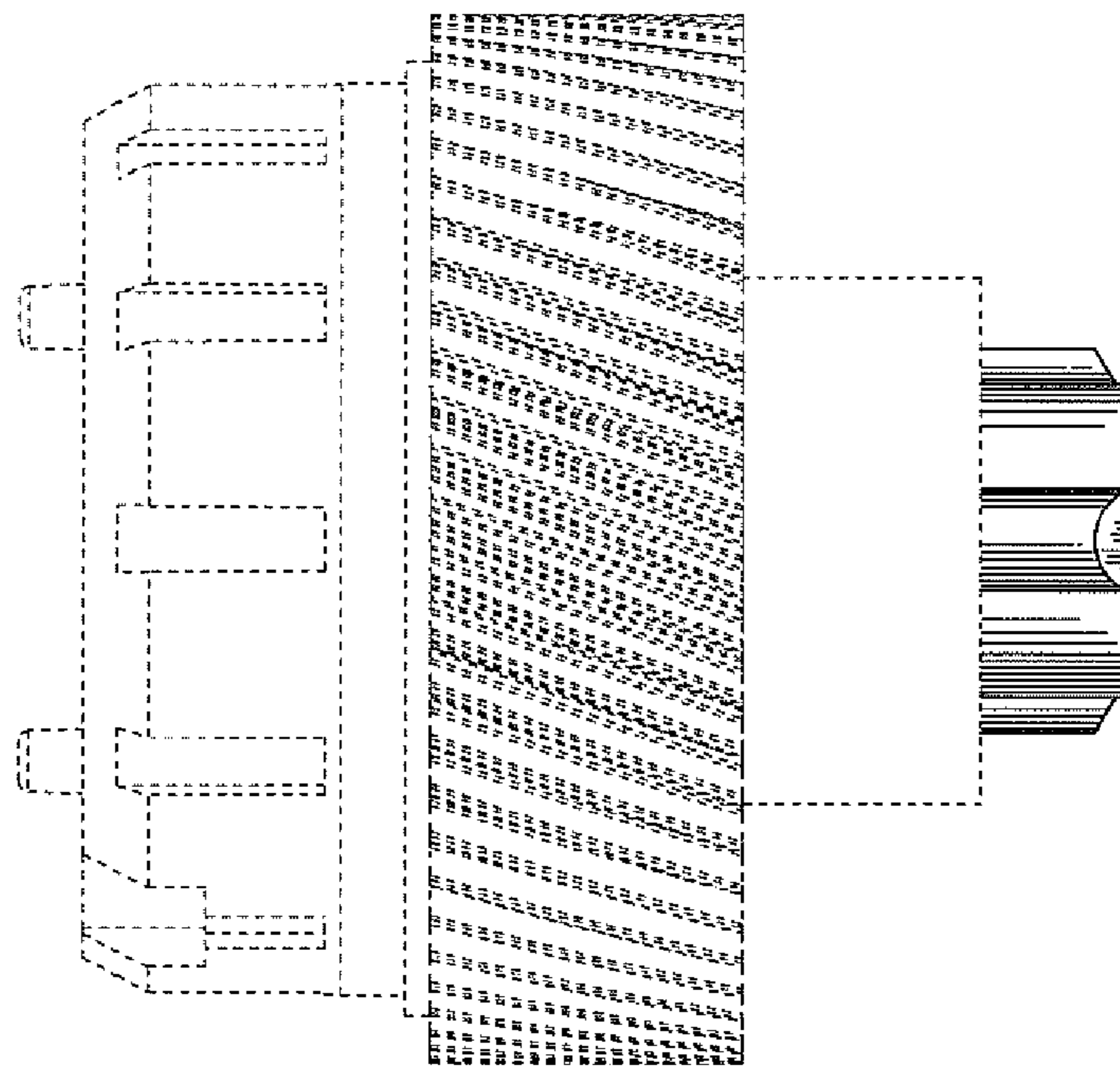


Fig. 2

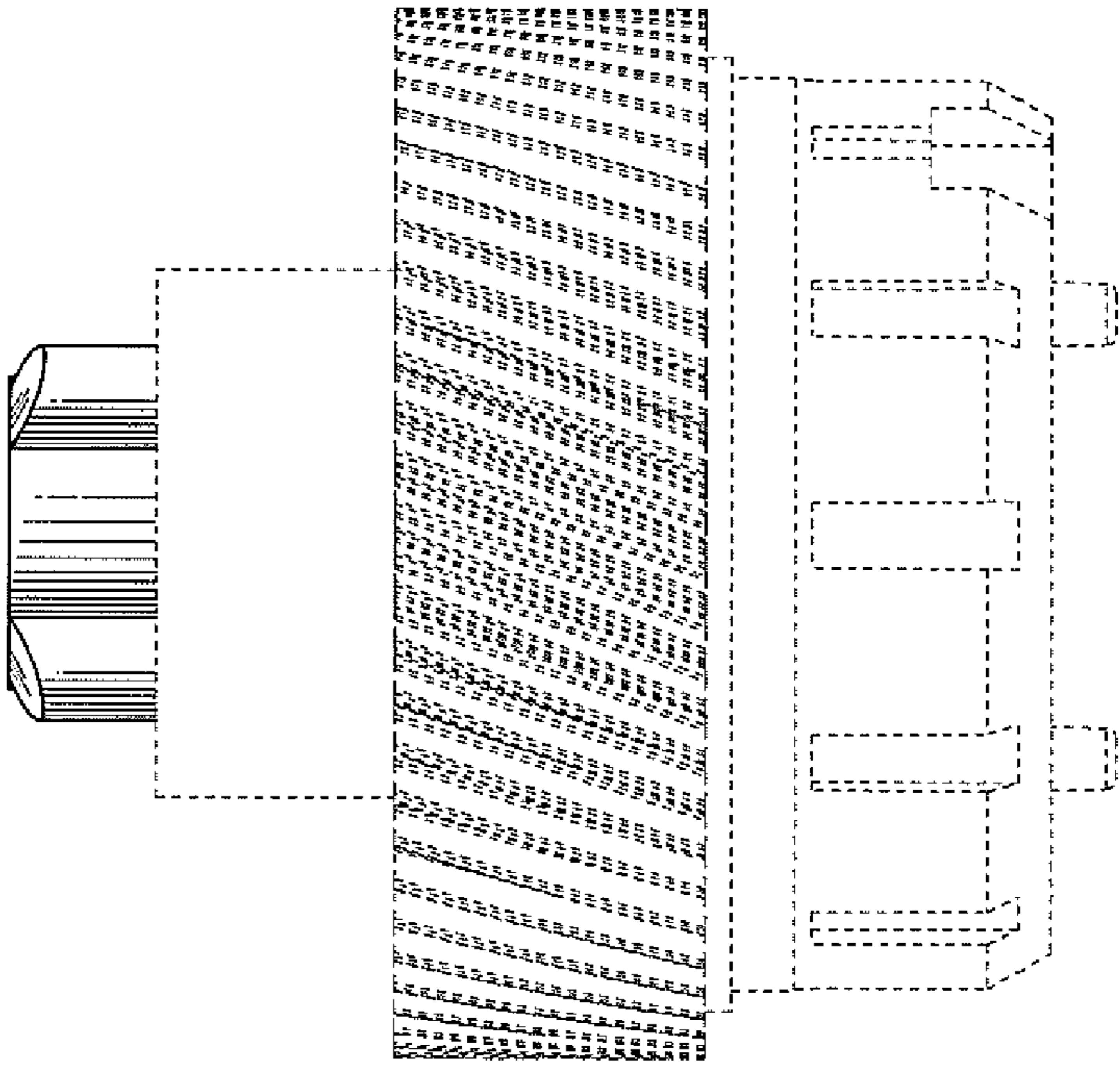


Fig.3

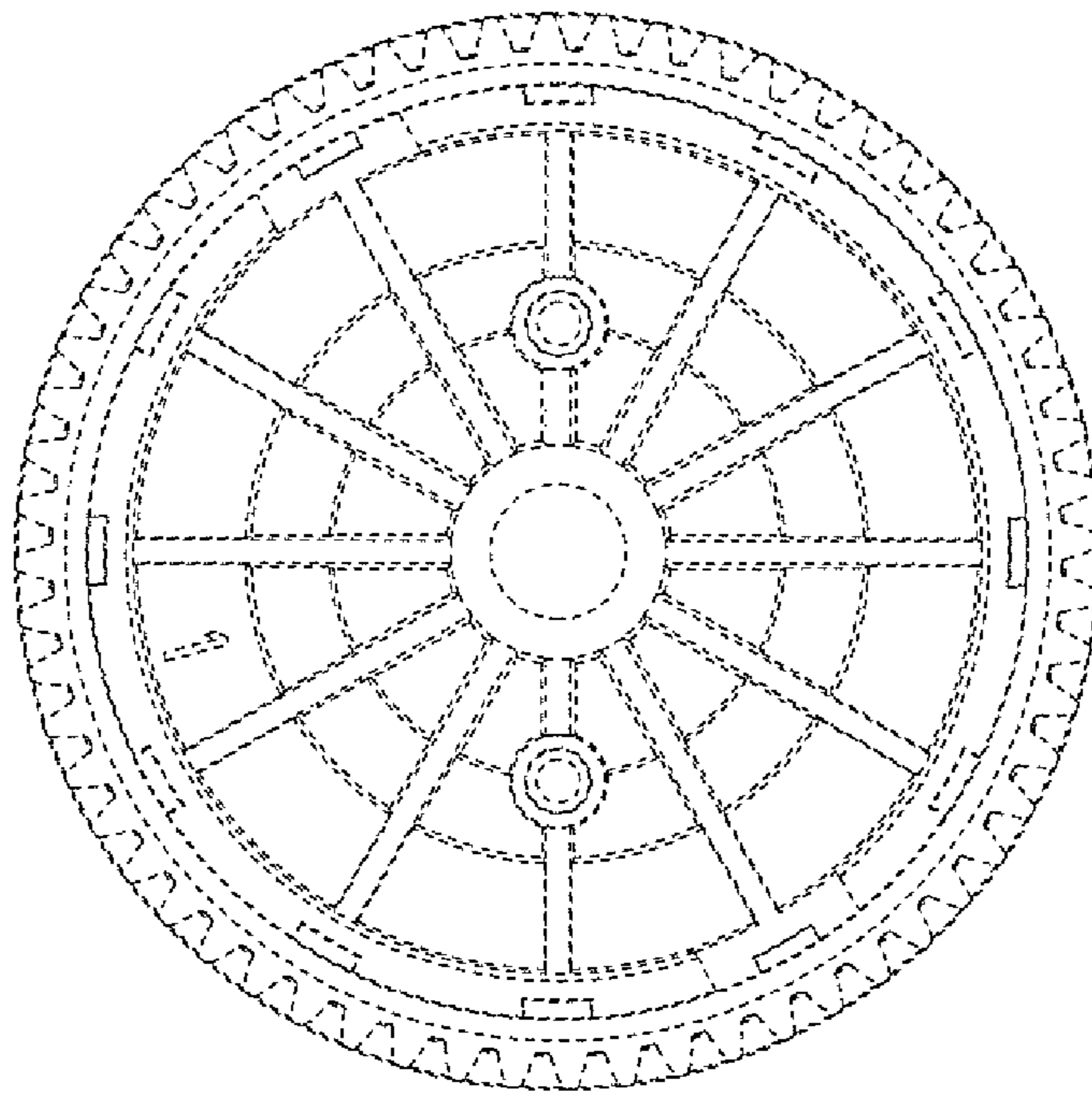


Fig.4

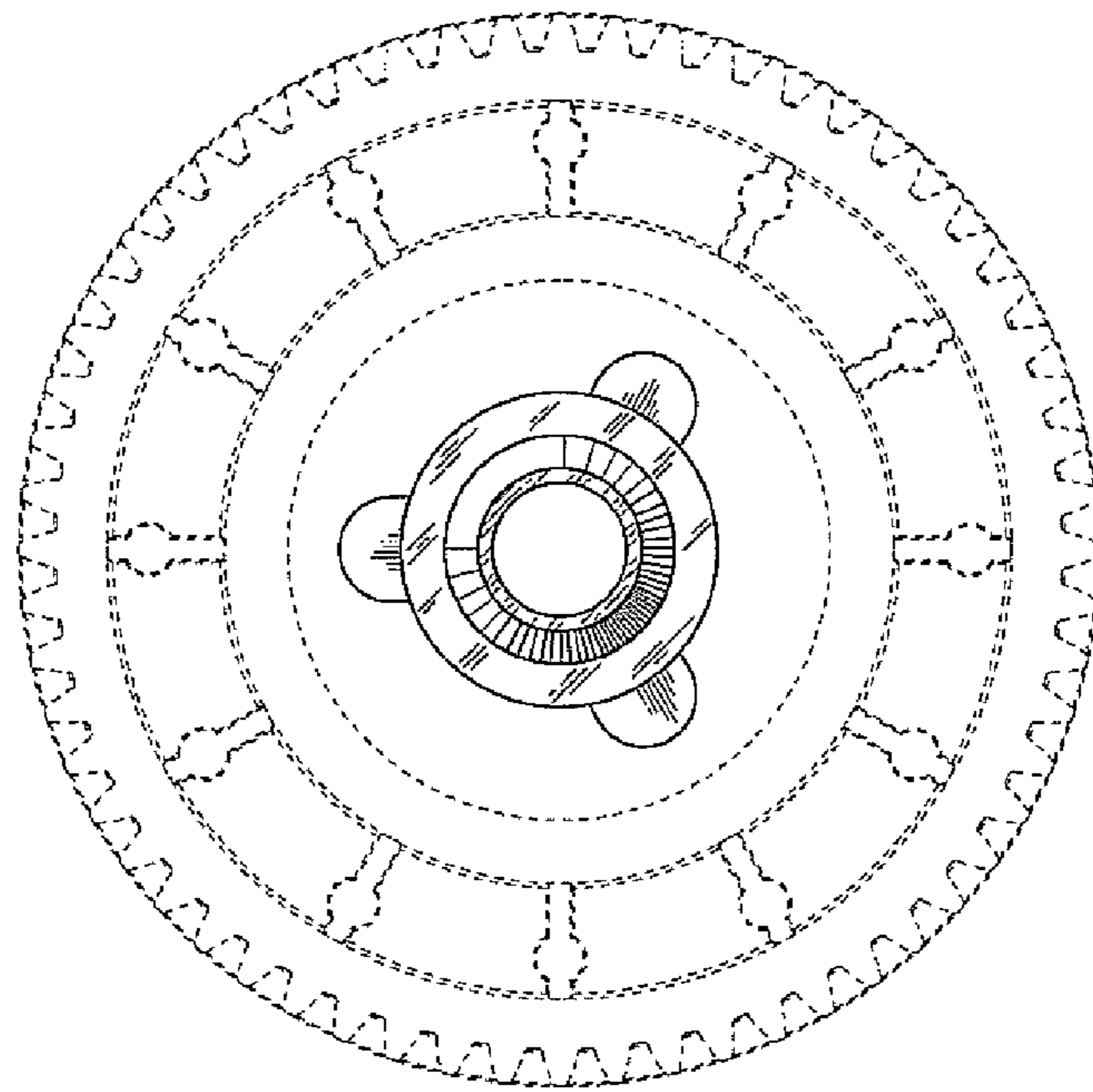


Fig. 5

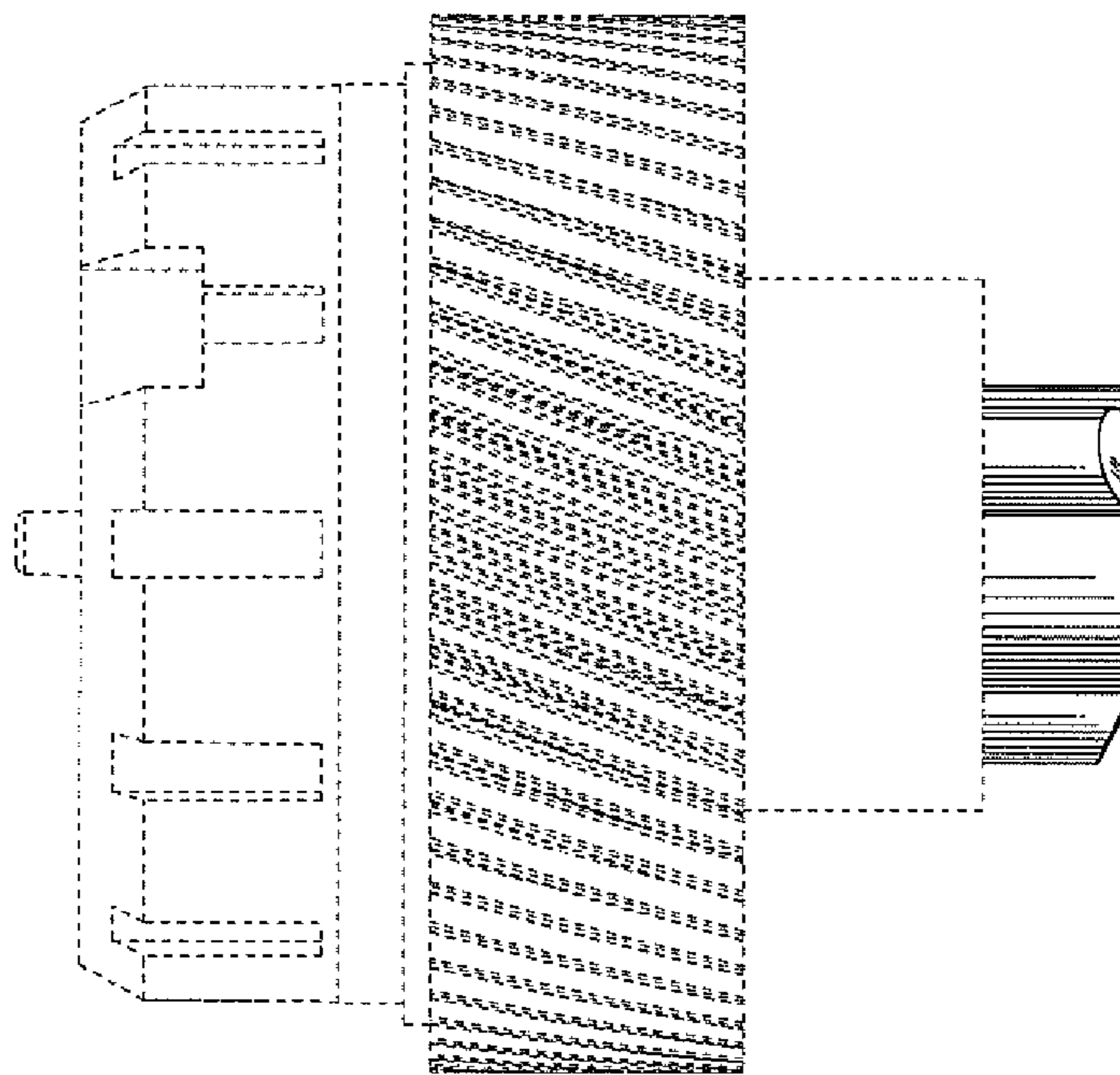


Fig.6

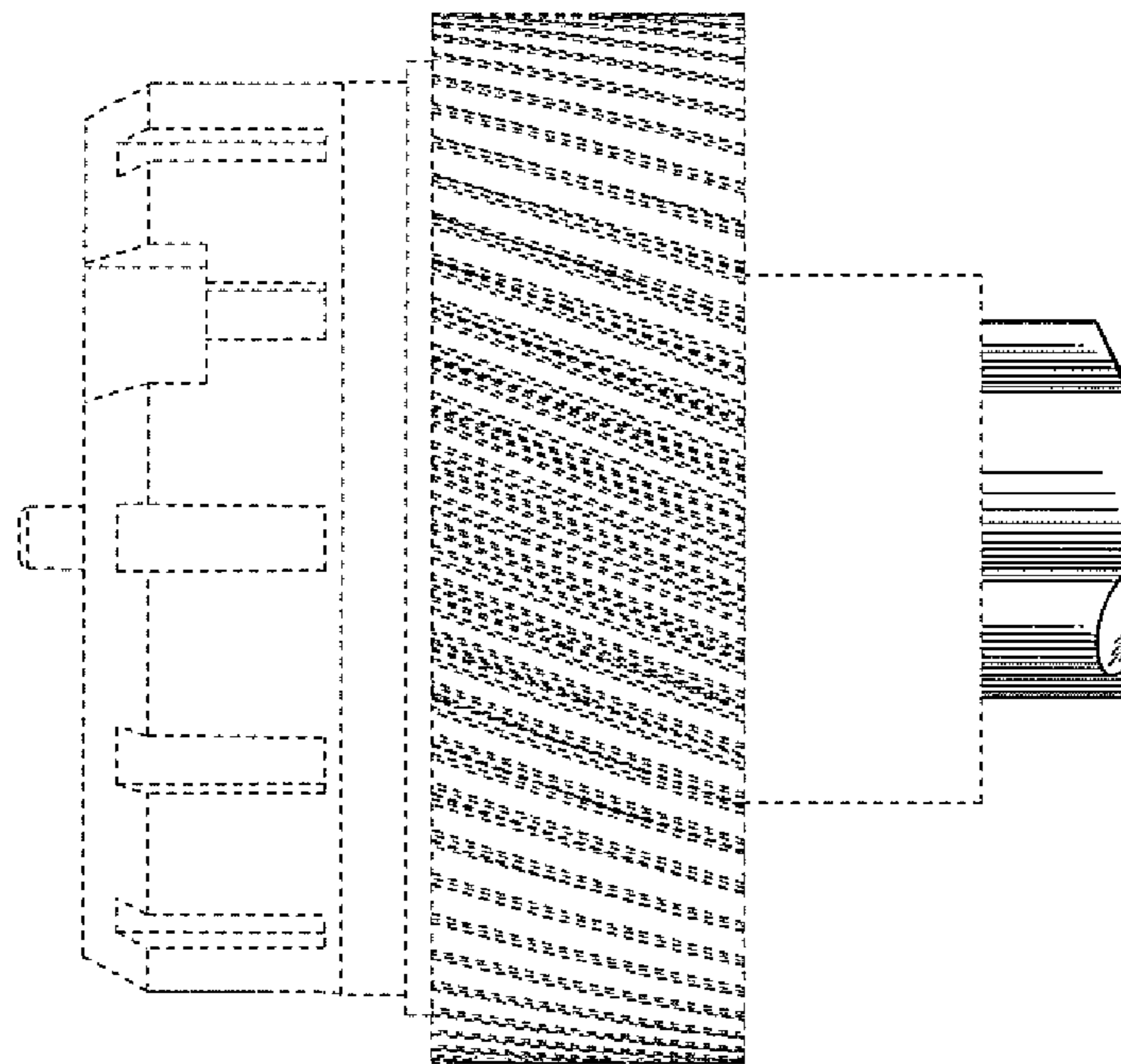


Fig. 7

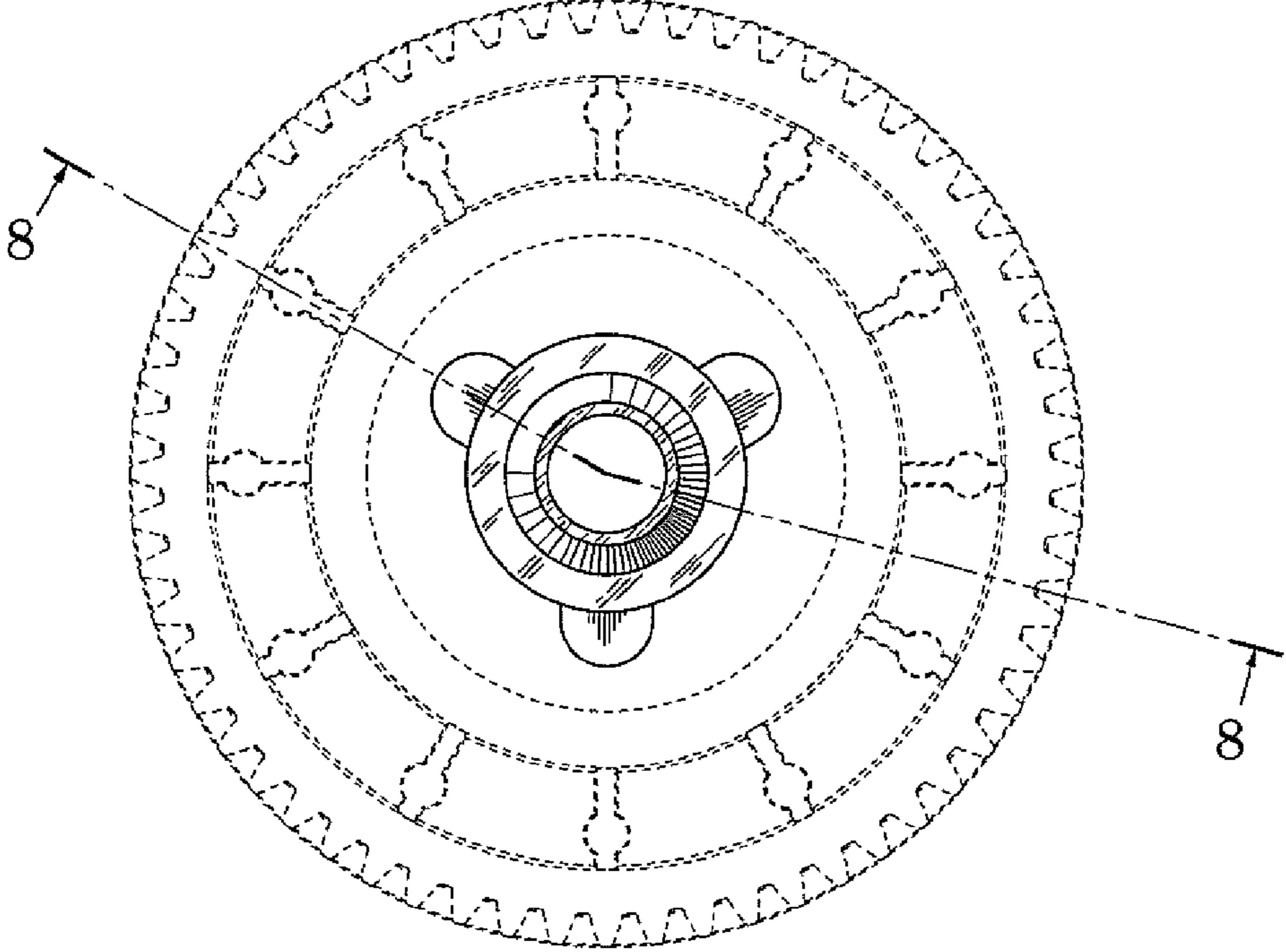


Fig.8

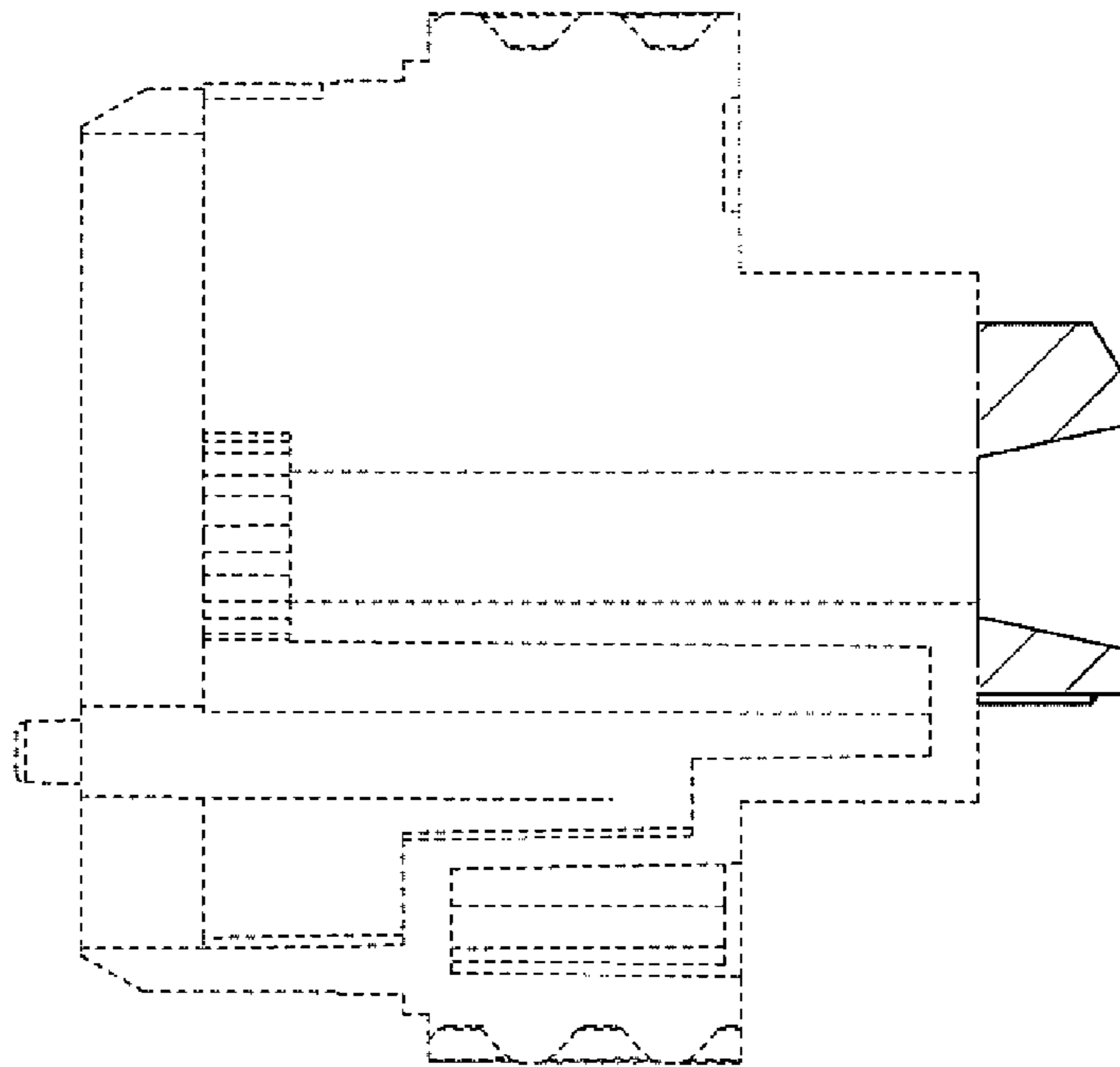


Fig.9

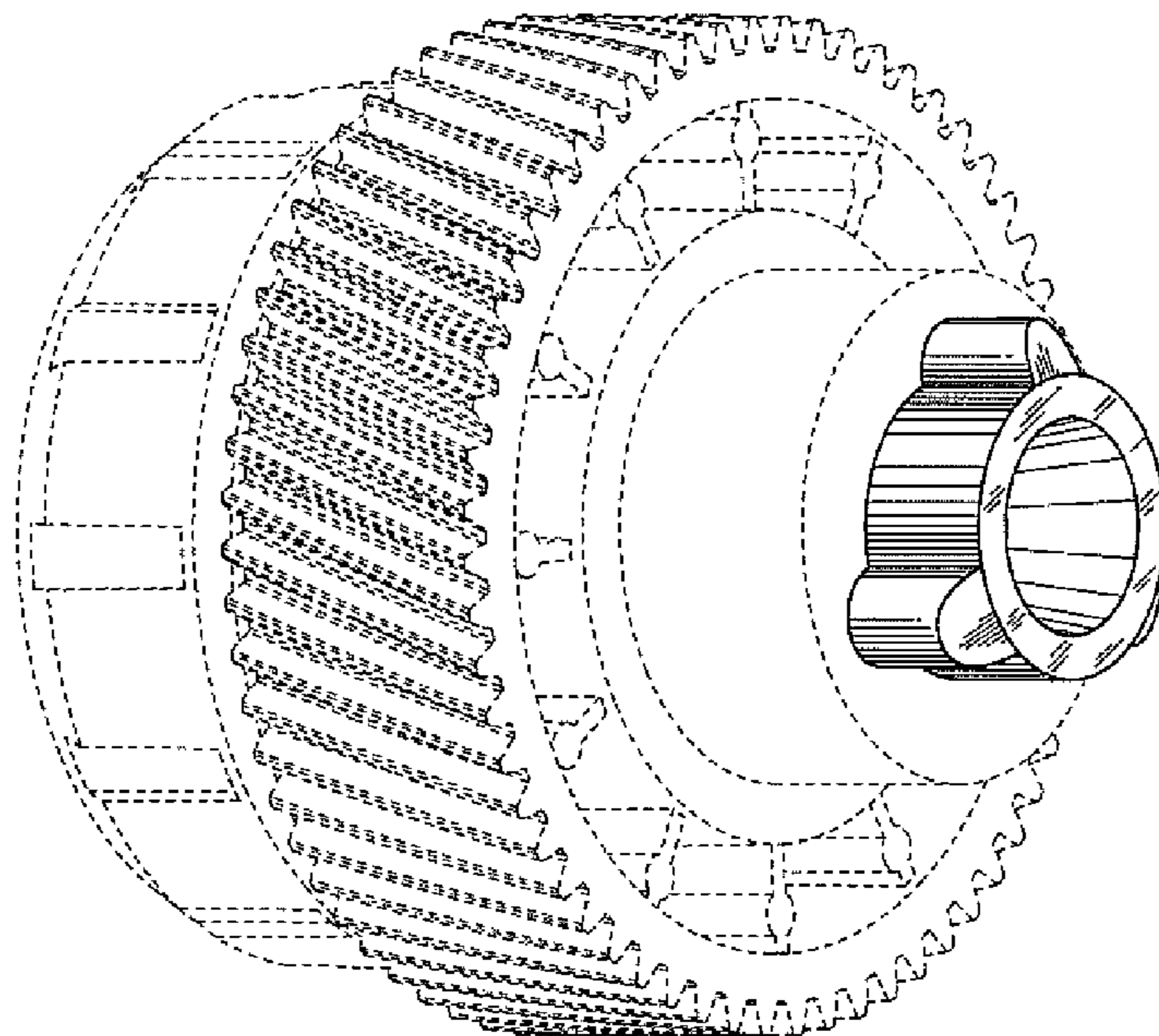


Fig. 10

