



US00D685020S

(12) **United States Design Patent**
O'Doherty et al.

(10) **Patent No.:** **US D685,020 S**
(45) **Date of Patent:** **** Jun. 25, 2013**

(54) **SWIMMING MASK**

(75) Inventors: **Kevin O'Doherty**, San Po Kong (HK);
Year Wah Lee, Kowloon (HK)

(73) Assignee: **Stallion Sport Limited**, Hong Kong
(HK)

(**) Term: **14 Years**

(21) Appl. No.: **29/429,275**

(22) Filed: **Aug. 8, 2012**

(51) **LOC (9) Cl.** **16-06**

(52) **U.S. Cl.**
USPC **D16/311**

(58) **Field of Classification Search**

USPC D16/101, 300-342, 900; D29/109-110;
351/41, 44, 51-52, 62, 158, 92, 103-123,
351/140-153, 45-46; 2/426-432, 447-449,
2/441, 434-437, 13, 15; D21/483, 659-661;
D14/372

See application file for complete search history.

(56) **References Cited**

U.S. PATENT DOCUMENTS

D277,332	S	*	1/1985	Fireman	D24/110.2
D368,107	S	*	3/1996	Lutz et al.	D16/311
D385,574	S	*	10/1997	Fireman	D16/311
6,381,761	B2	*	5/2002	Kawashima et al.	2/428
D490,891	S	*	6/2004	Silvestri	D24/110.2
D522,562	S	*	6/2006	Godoy	D16/311
D540,843	S	*	4/2007	Godoy	D16/311
D588,260	S	*	3/2009	Shiue	D24/110.2
D620,968	S	*	8/2010	Shiue	D16/311
D651,639	S	*	1/2012	Godoy	D16/311
D670,323	S	*	11/2012	Garraffa	D16/311

* cited by examiner

Primary Examiner — Raphael Barkai

(74) *Attorney, Agent, or Firm* — Raymond Sun

(57) **CLAIM**

The ornamental design for a swimming mask, as shown.

DESCRIPTION

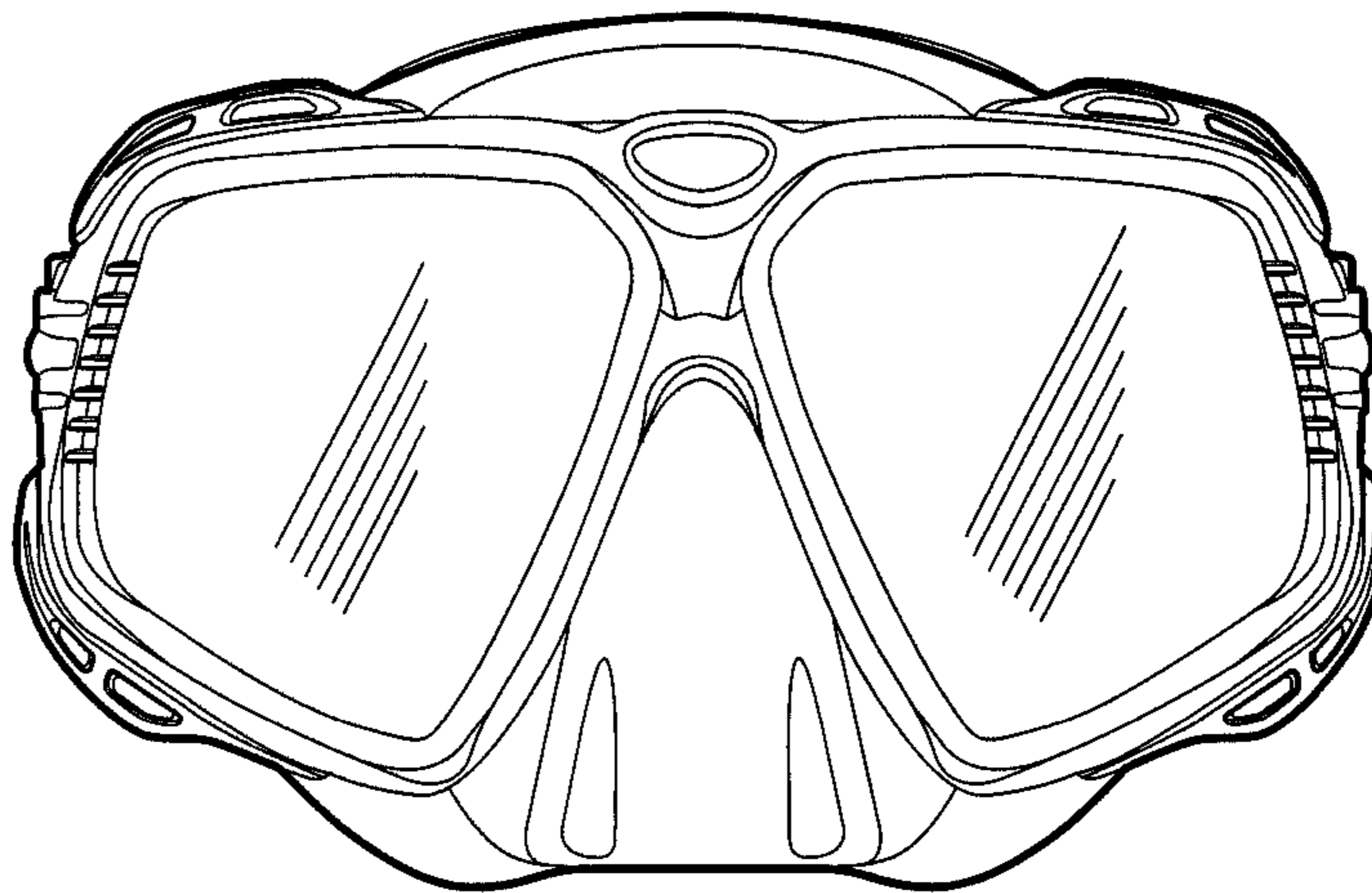
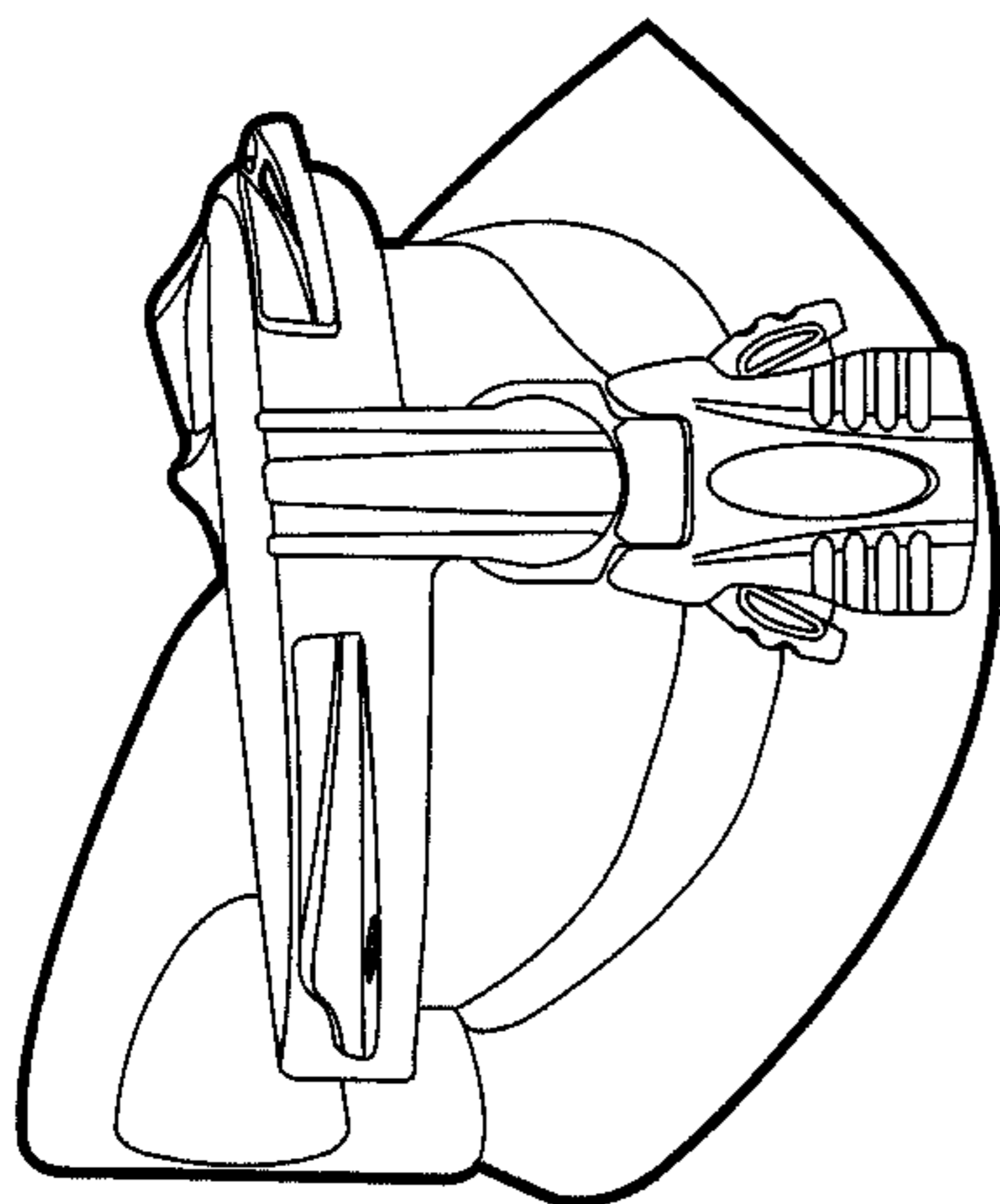
FIG. 1 is a perspective view of a swimming mask showing my new design.

FIG. 2 is a top plan view thereof;

FIG. 3 is a left plan view of the swimming mask; the right plan view being a mirror image thereof; and,

FIG. 4 is a front plan view thereof.

1 Claim, 4 Drawing Sheets



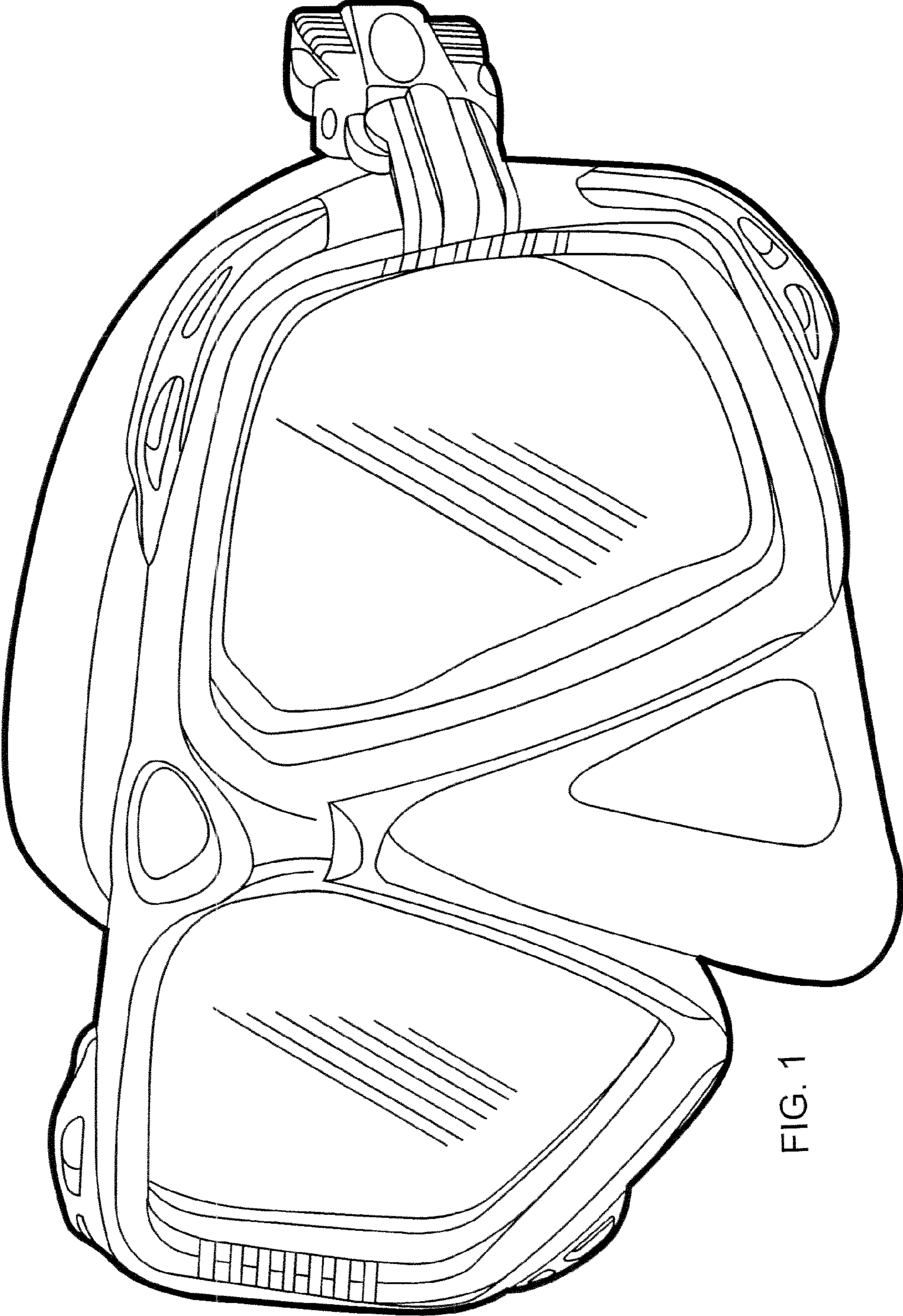


FIG. 1

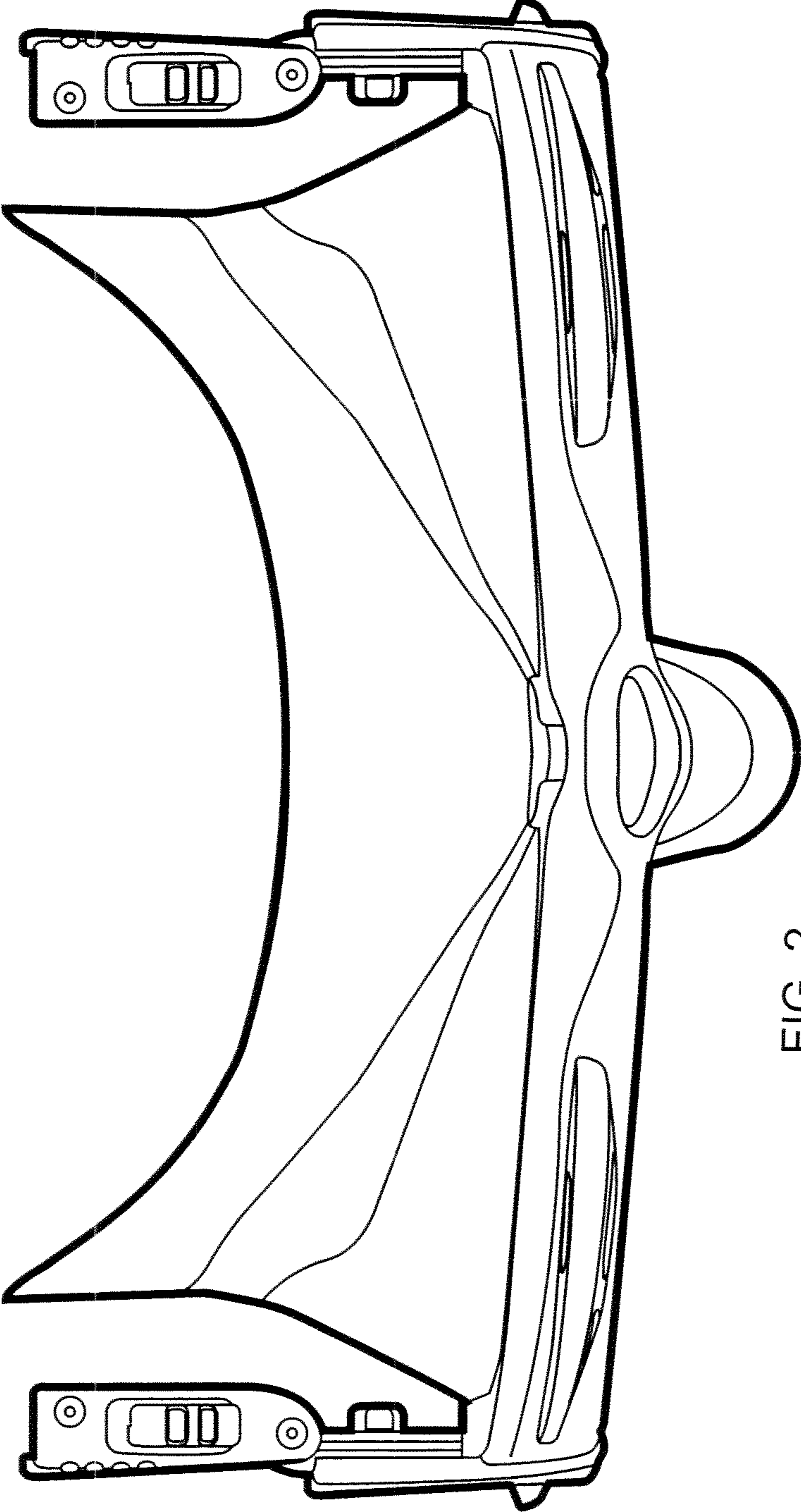


FIG. 2

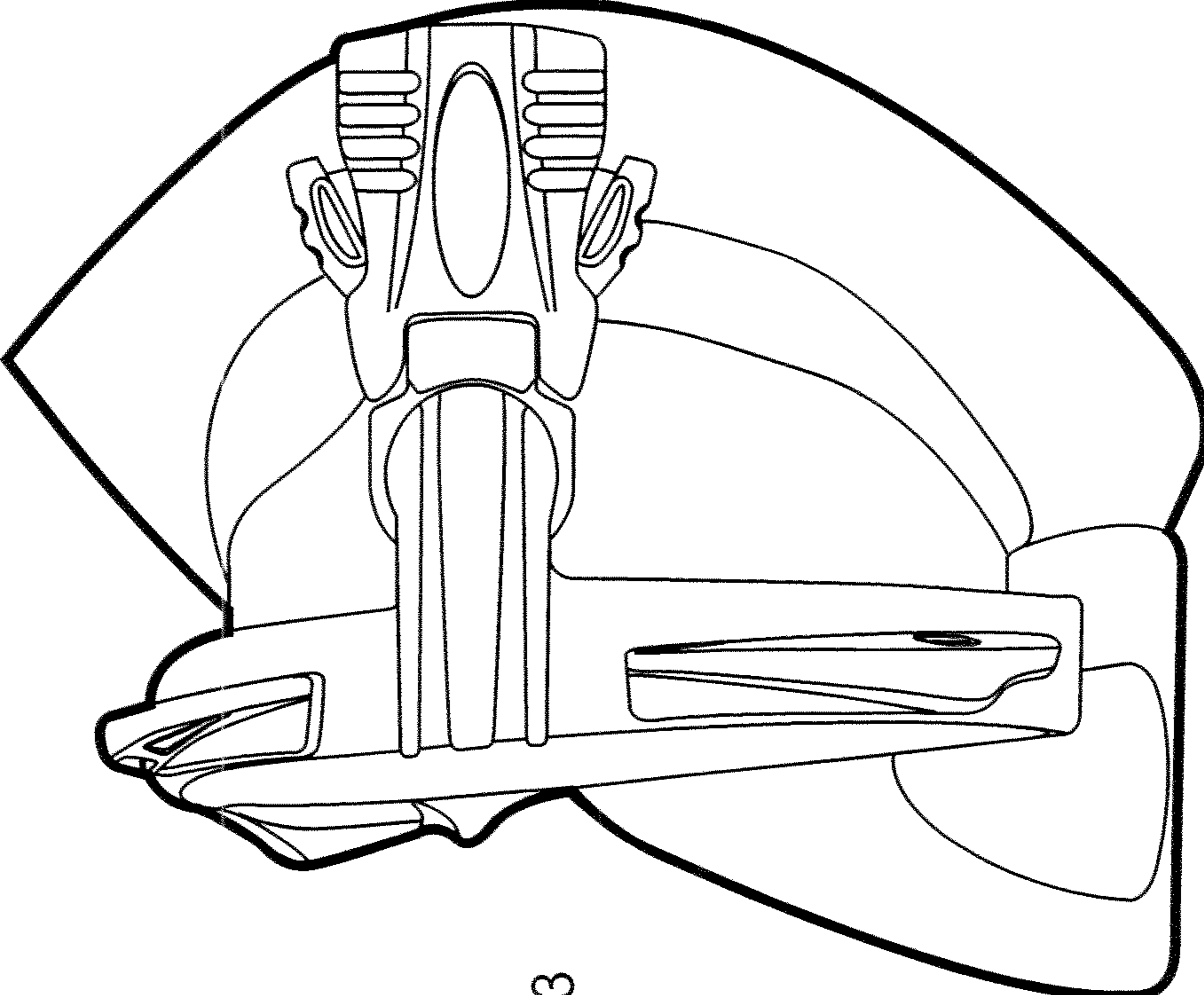


FIG. 3

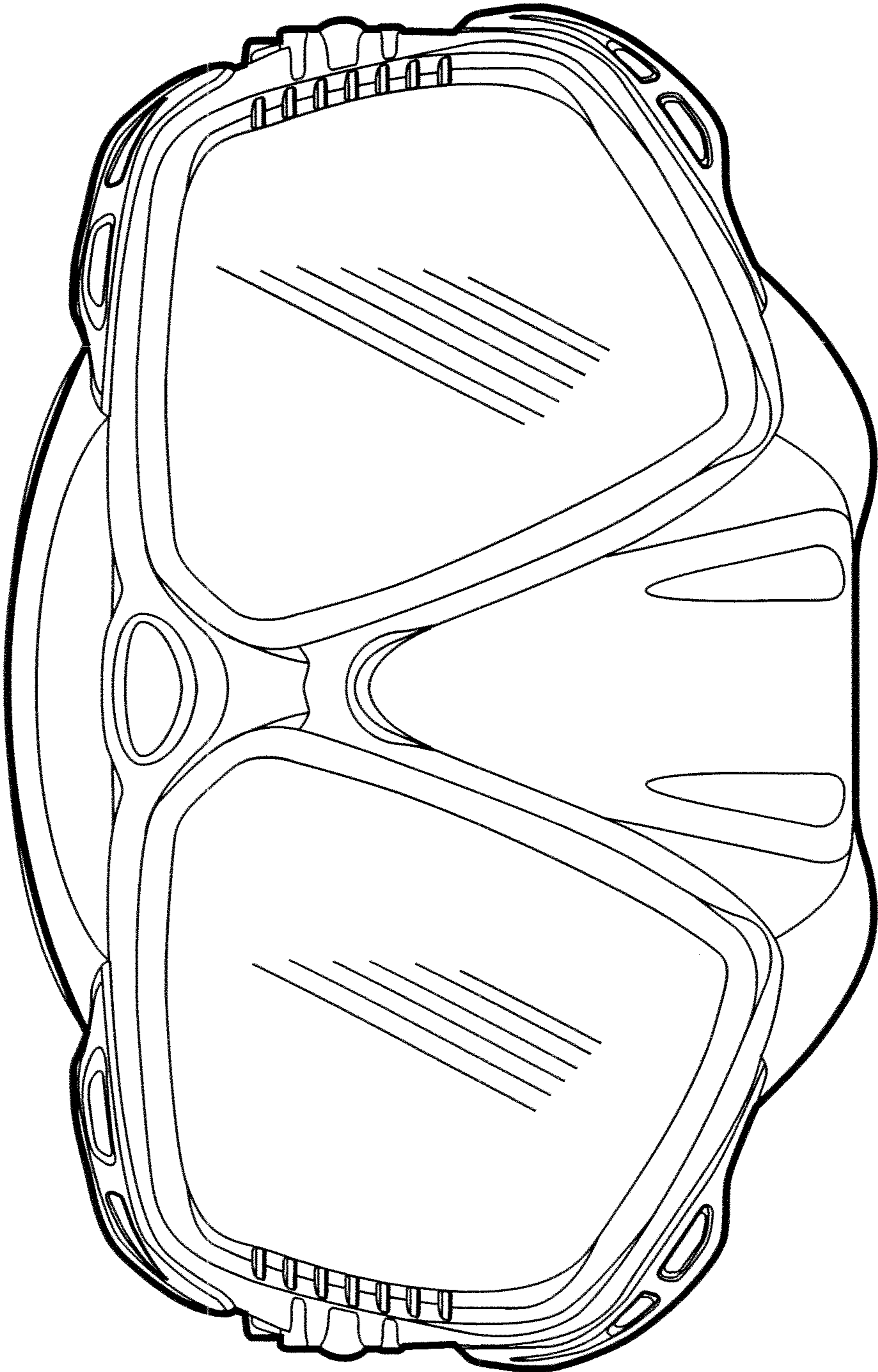


FIG. 4