



US00D685019S

(12) **United States Design Patent**
Li

(10) **Patent No.:** **US D685,019 S**

(45) **Date of Patent:** **** Jun. 25, 2013**

(54) **SUNGLASSES CAMERA**

(71) Applicant: **Weihua Li**, Lianyuan (CN)

(72) Inventor: **Weihua Li**, Lianyuan (CN)

(**) Term: **14 Years**

(21) Appl. No.: **29/439,454**

(22) Filed: **Dec. 11, 2012**

(51) **LOC (9) Cl.** **16-06**

(52) **U.S. Cl.**
USPC **D16/309**

(58) **Field of Classification Search**
USPC D16/101, 300–342, 900; D29/109–110;
351/41, 44, 51–52, 62, 158, 92, 103–123,
351/140–153, 45–46; 2/426–432, 447–449,
2/441, 434–437, 13, 15; D21/483, 659–661;
D14/372

See application file for complete search history.

(56) **References Cited**

U.S. PATENT DOCUMENTS

D553,177 S * 10/2007 Chen D16/326

D611,980 S * 3/2010 Chen D16/309
D645,492 S * 9/2011 Zhao D16/309
D645,493 S * 9/2011 Zhao D16/309
D646,316 S * 10/2011 Zhao D16/309
D667,483 S * 9/2012 Krsmanovic D16/309
2006/0158608 A1 * 7/2006 Lin 351/158

* cited by examiner

Primary Examiner — Raphael Barkai

(74) *Attorney, Agent, or Firm* — Sughrue Mion, PLLC

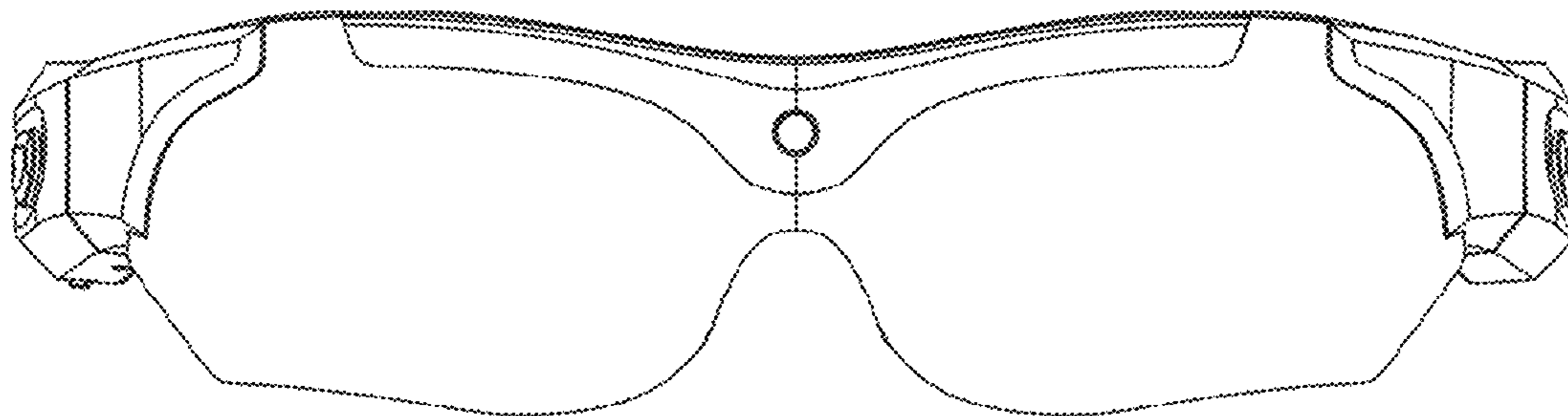
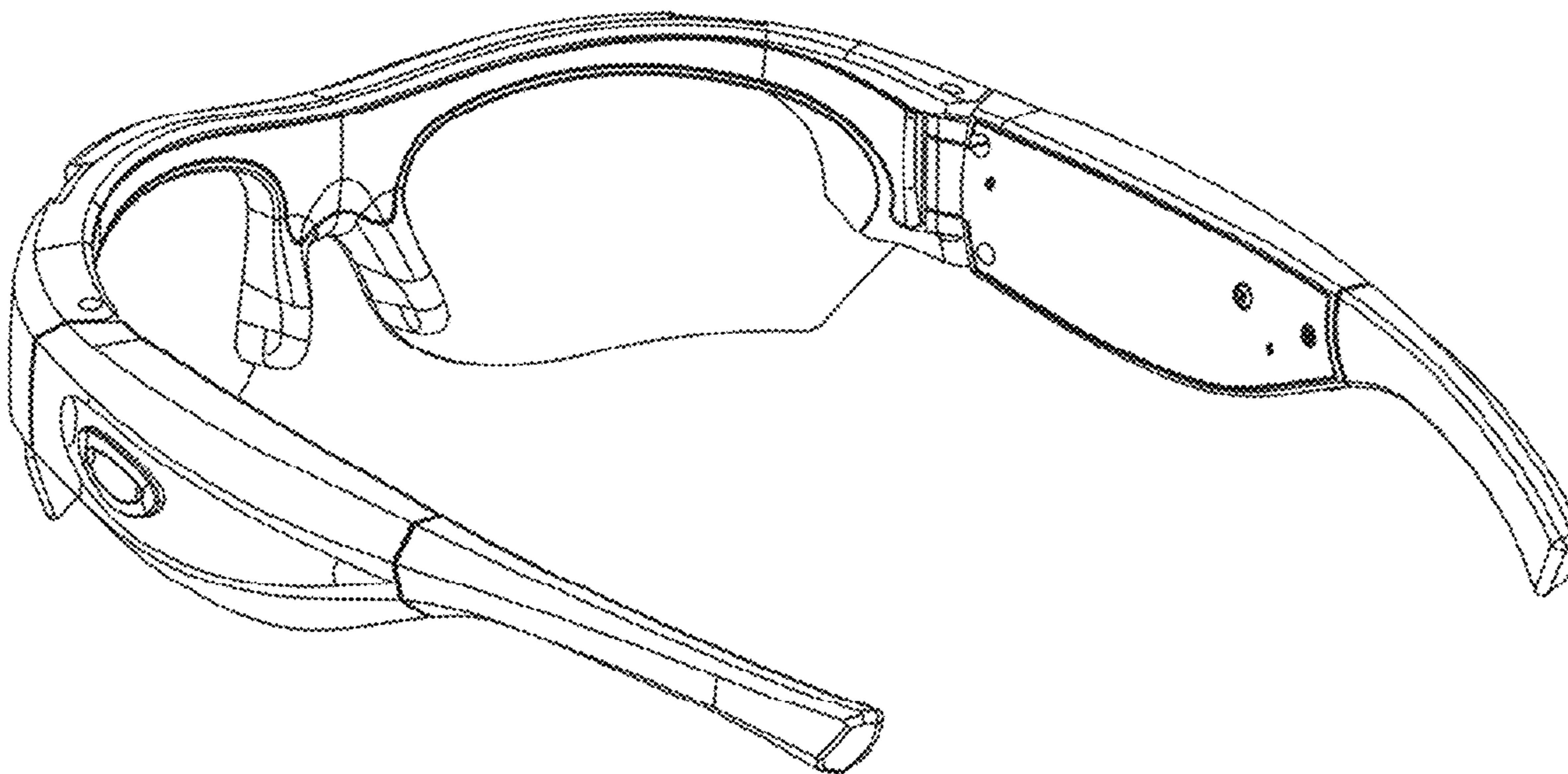
(57) **CLAIM**

The ornamental design for a sunglasses camera, as shown and described.

DESCRIPTION

FIG. 1 is rear-top perspective view thereof;
FIG. 2 is rear view thereof;
FIG. 3 is front view thereof;
FIG. 4 is left view thereof;
FIG. 5 is right view thereof;
FIG. 6 is top view thereof; and,
FIG. 7 is bottom view thereof.

1 Claim, 7 Drawing Sheets



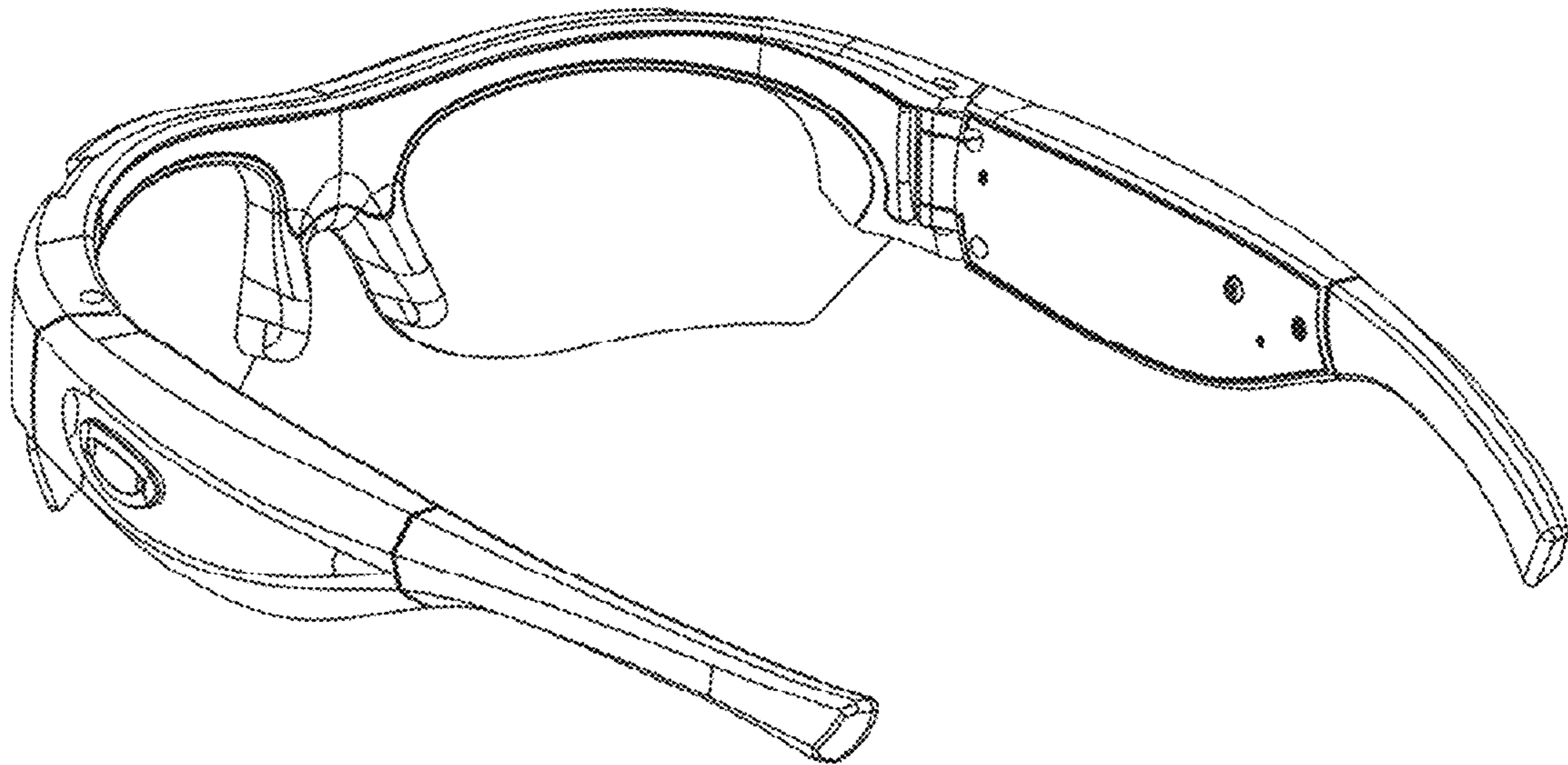


FIG. 1

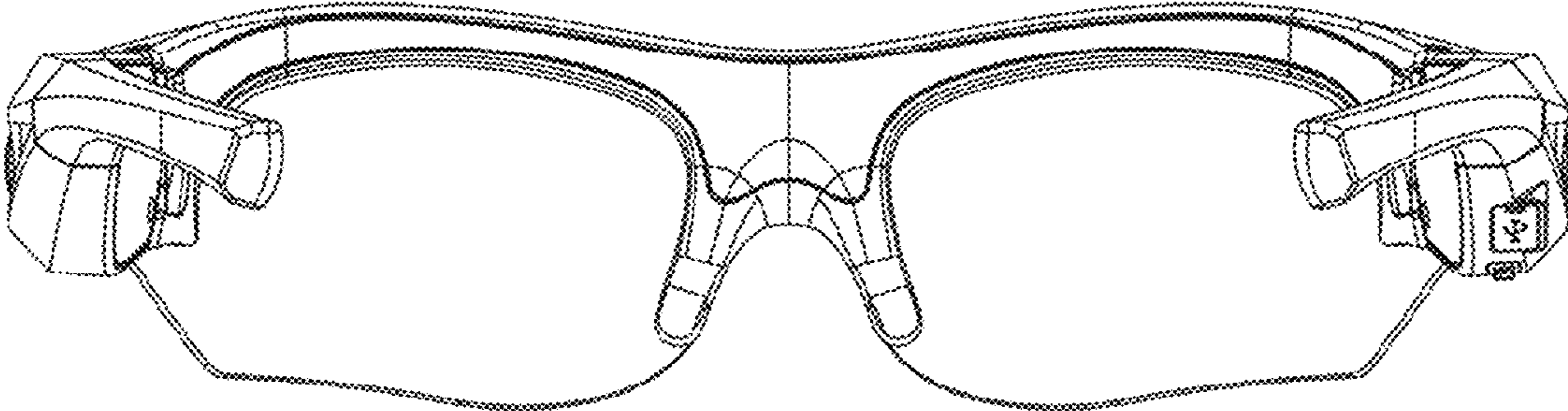


FIG. 2

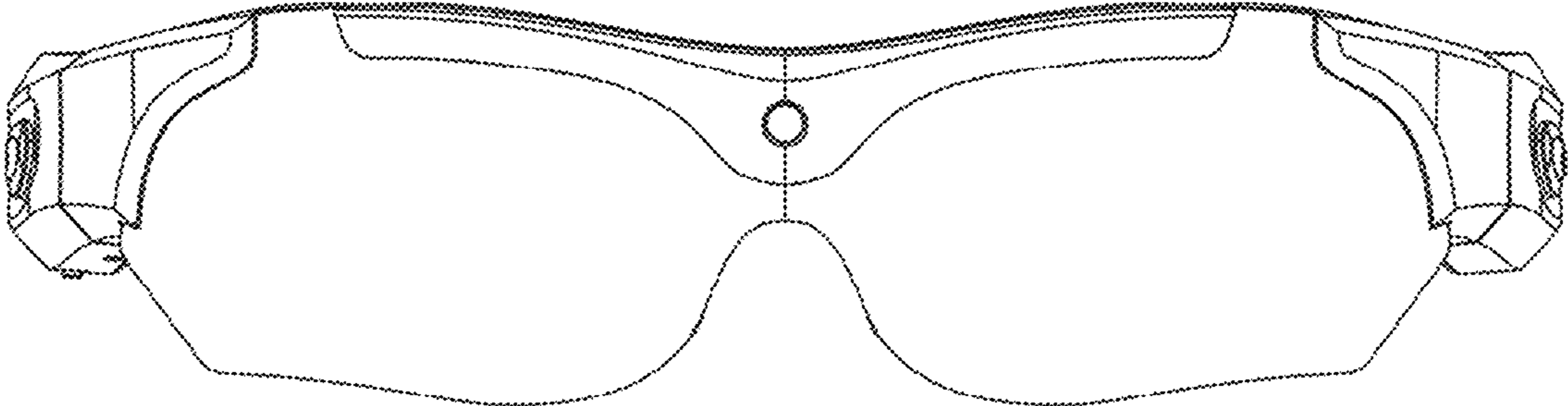


FIG. 3

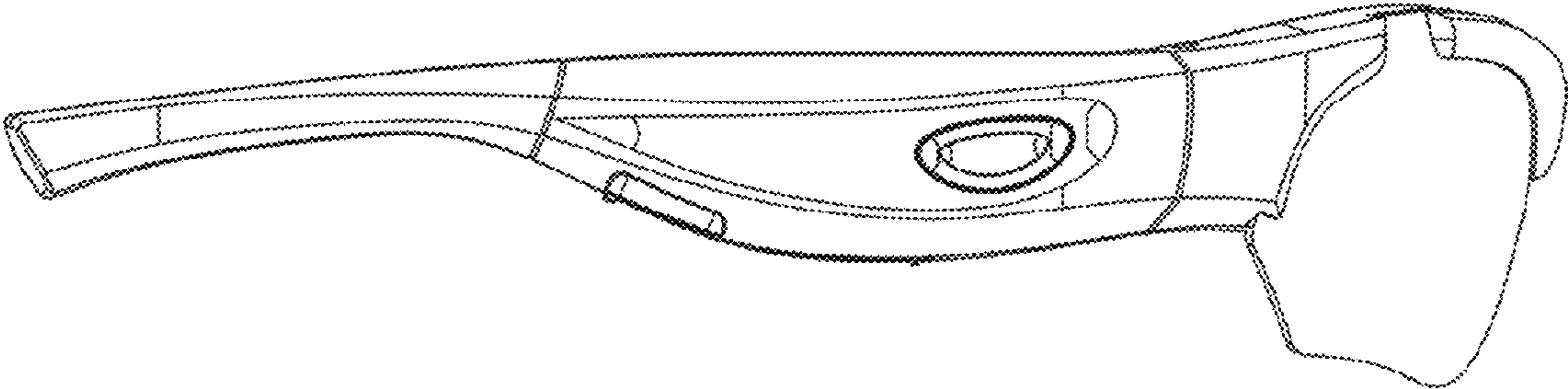


FIG. 4

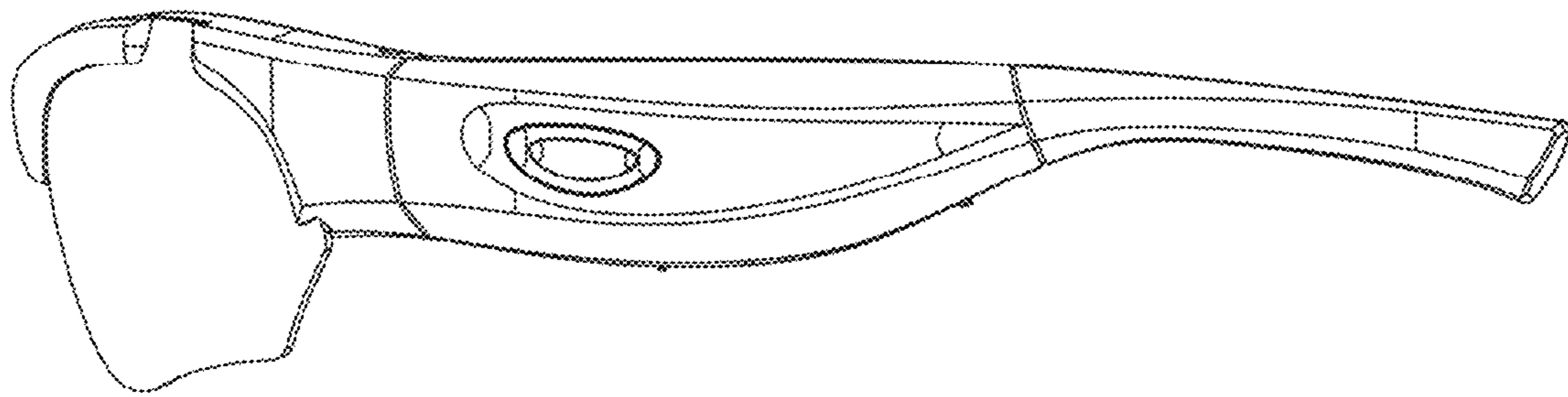


FIG. 5

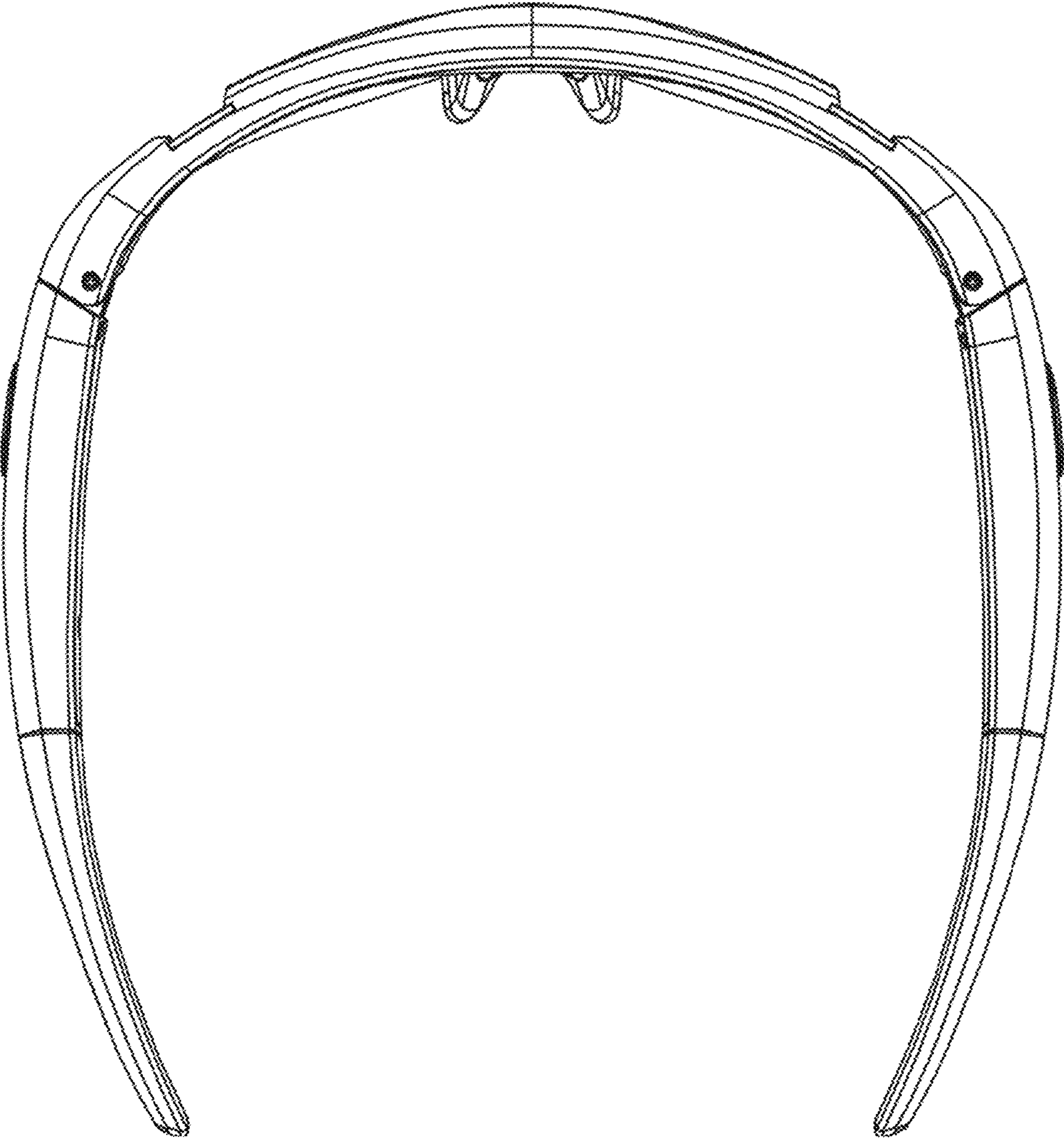


FIG. 6

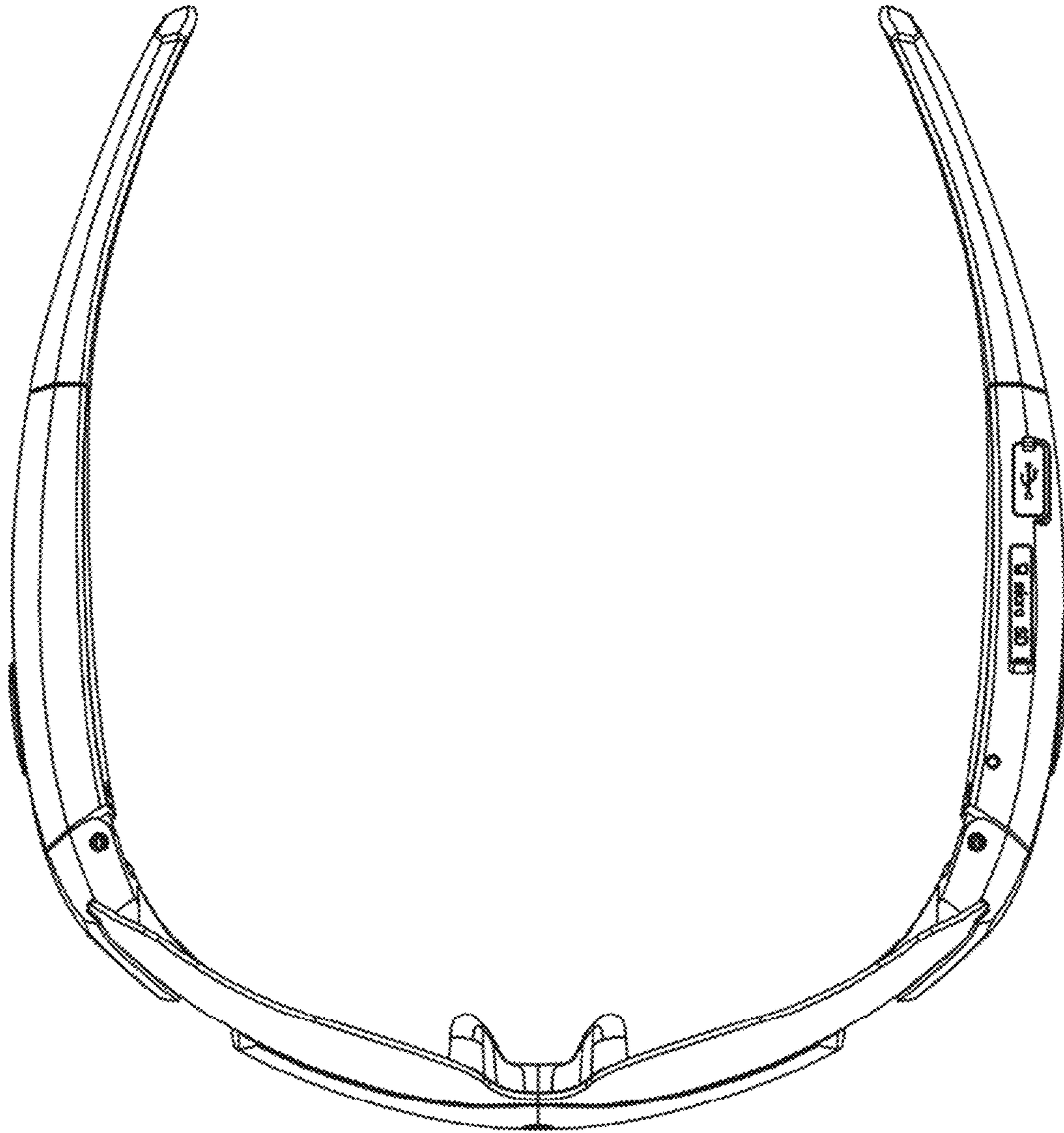


FIG. 7