



US00D685018S

(12) **United States Design Patent**
Cho

(10) **Patent No.:** **US D685,018 S**
(45) **Date of Patent:** **** Jun. 25, 2013**

(54) **GLASSES FOR WATCHING 3D IMAGE**

(71) Applicant: **Samsung Electronics Co., Ltd.**,
Suwon-si (KR)

(72) Inventor: **Ju-Won Cho**, Seoul (KR)

(73) Assignee: **Samsung Electronics Co., Ltd.**,
Suwon-Si (KR)

(**) Term: **14 Years**

(21) Appl. No.: **29/437,321**

(22) Filed: **Nov. 15, 2012**

(30) **Foreign Application Priority Data**

May 24, 2012 (KR) 30-2012-0025749

(51) **LOC (9) Cl.** **06-06**

(52) **U.S. Cl.**
USPC **D16/309; D16/306; D16/311**

(58) **Field of Classification Search**
USPC D16/101, 300-342, 900; D29/109-110;
D24/110.2; 351/41, 44, 51-52, 62, 158, 92,
351/103-123, 140, 153, 45-46; 2/426-432,
2/447-449, 441, 434-437, 13, 15; D21/483,
D21/659-661
See application file for complete search history.

(56) **References Cited**

U.S. PATENT DOCUMENTS

4,400,067	A	*	8/1983	Joffe	351/59
D462,979	S	*	9/2002	Fairclough	D16/311
D539,834	S	*	4/2007	Hester	D16/327
D611,086	S	*	3/2010	Meng-Suen	D16/309
D624,111	S	*	9/2010	Knoop	D16/300
D624,953	S	*	10/2010	Yoshikawa et al.	D16/326
D624,954	S	*	10/2010	Yoshikawa et al.	D16/326
D625,752	S	*	10/2010	Yoshikawa et al.	D16/326
D647,123	S	*	10/2011	Cho	D16/309
D661,334	S	*	6/2012	Cho et al.	D16/309
D664,587	S	*	7/2012	Cho et al.	D16/309
D666,287	S	*	8/2012	Quinlan	D24/106

* cited by examiner

Primary Examiner — Raphael Barkai

(74) *Attorney, Agent, or Firm* — Wood, Herron & Evans, LLP

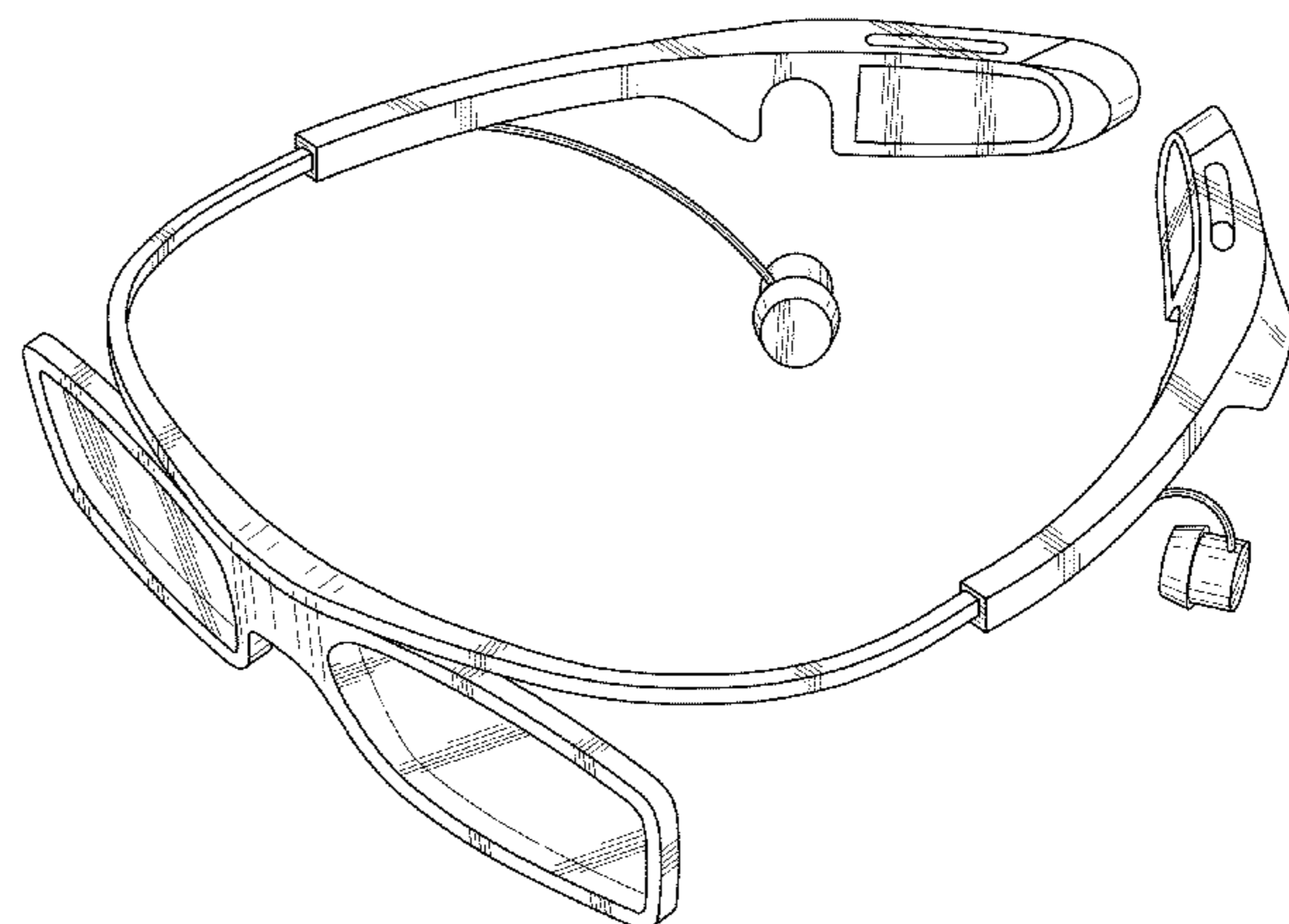
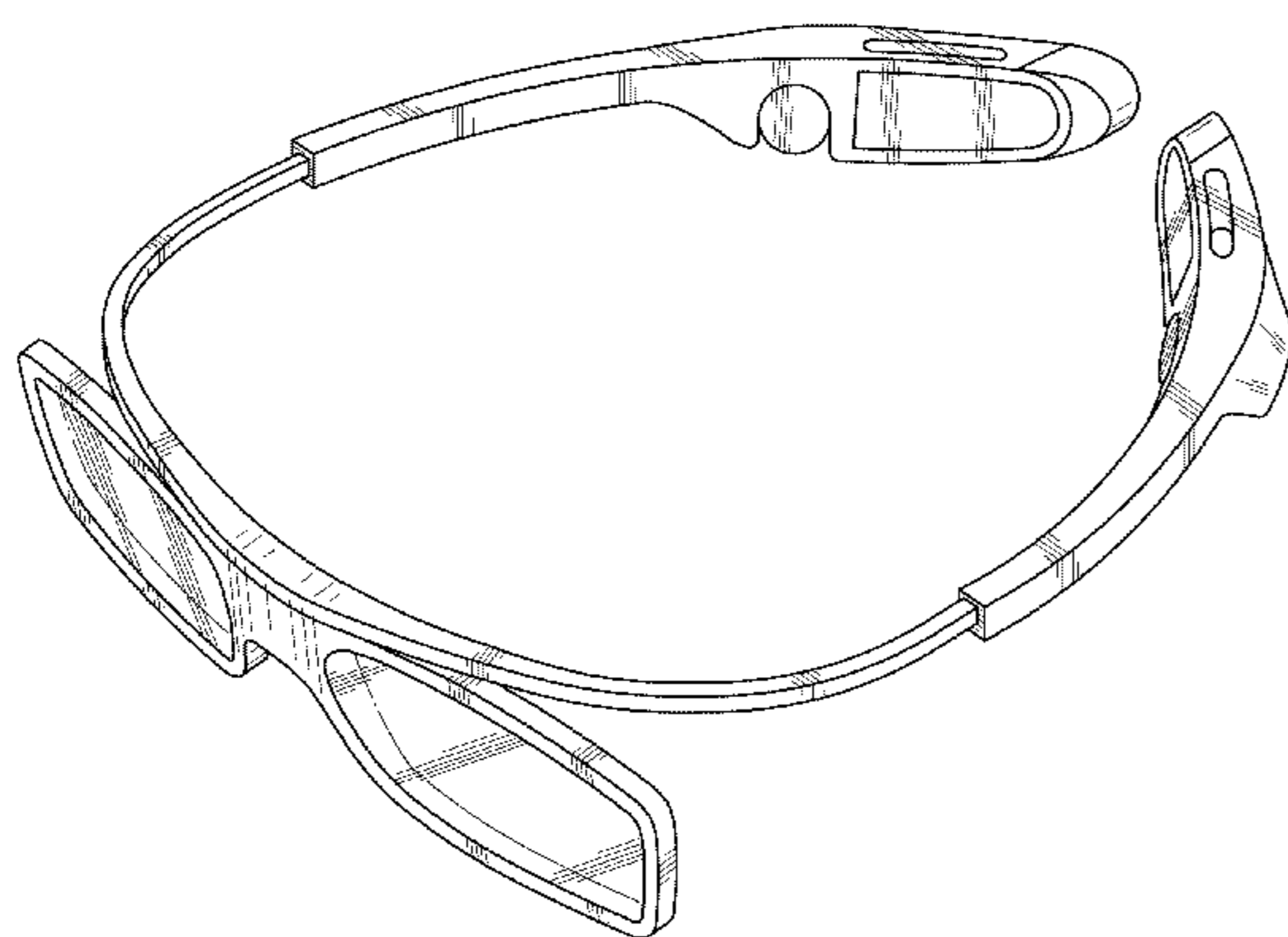
(57) **CLAIM**

The ornamental design for glasses for watching 3D image, as shown and described.

DESCRIPTION

FIG. 1 is a top front perspective view of glasses for watching 3D image showing my new design;
FIG. 2 is a front elevational view thereof;
FIG. 3 is a rear elevational view thereof;
FIG. 4 is a left side elevational view thereof;
FIG. 5 is a right side elevational view thereof;
FIG. 6 is a top plan view thereof;
FIG. 7 is a bottom plan view thereof; and,
FIG. 8 is a perspective view thereof when earphones are exposed.

1 Claim, 5 Drawing Sheets



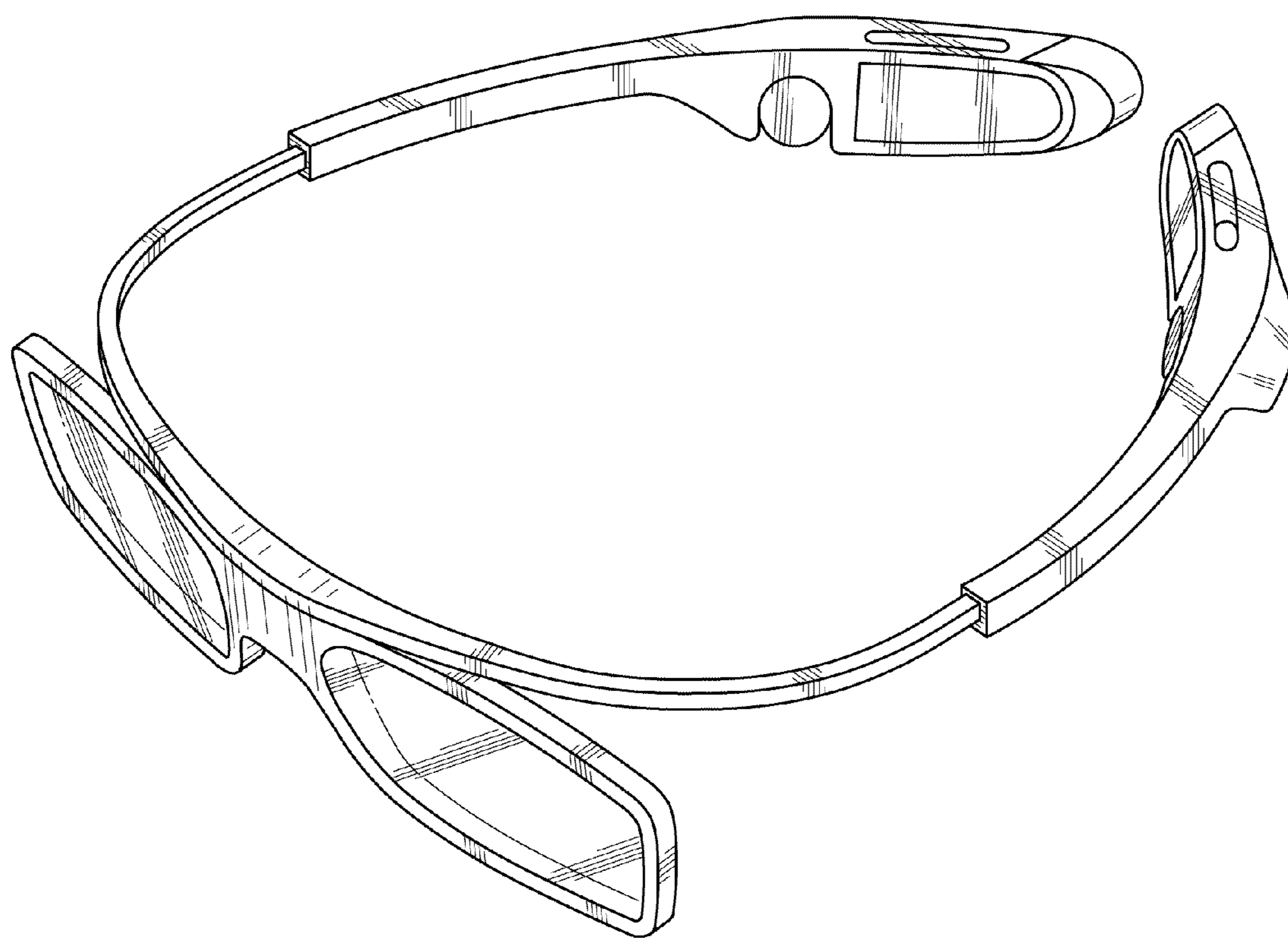


FIG.1

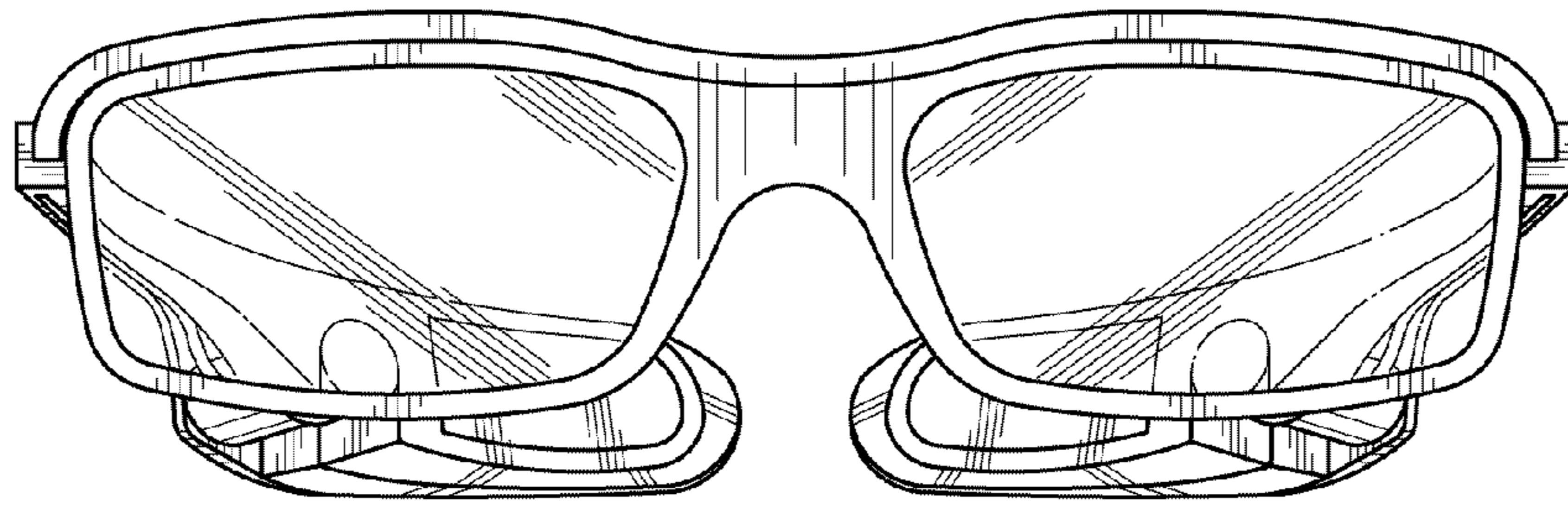


FIG. 2

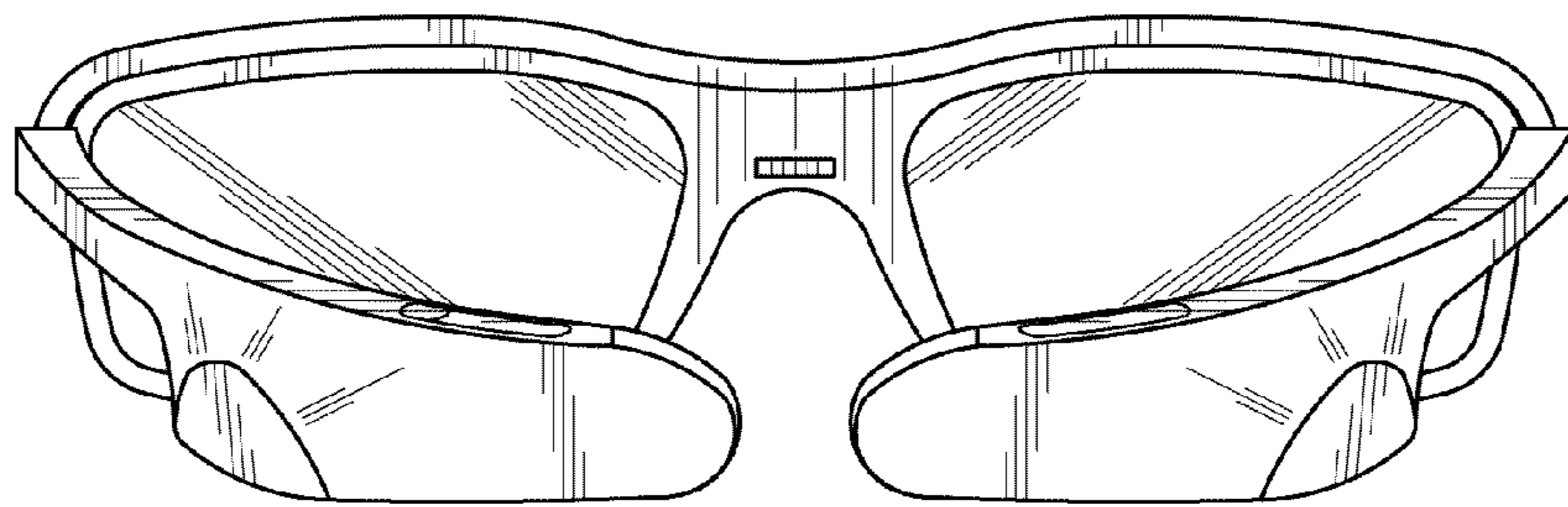


FIG. 3

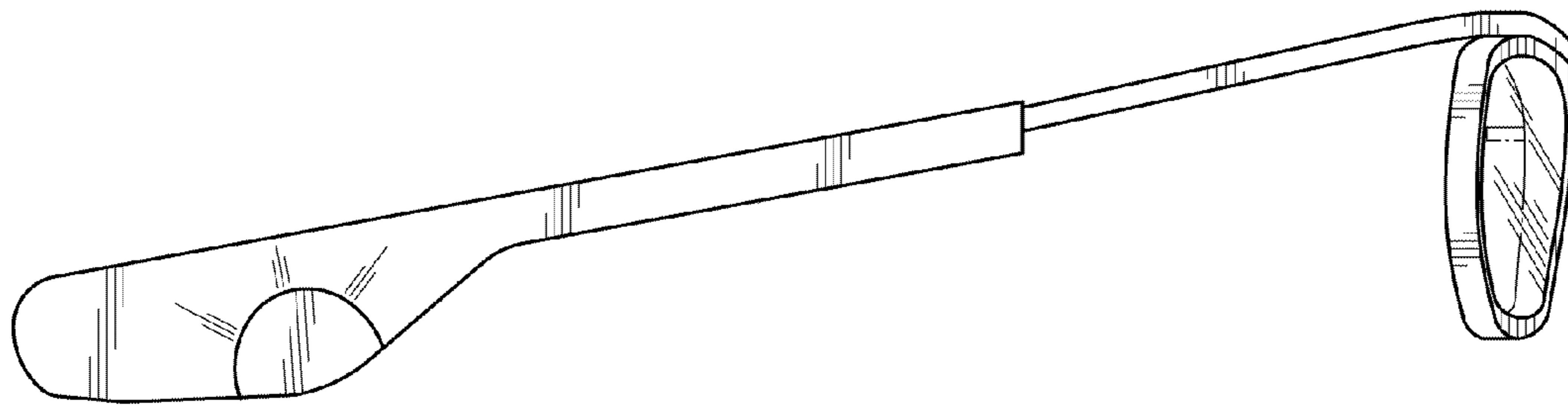


FIG. 4

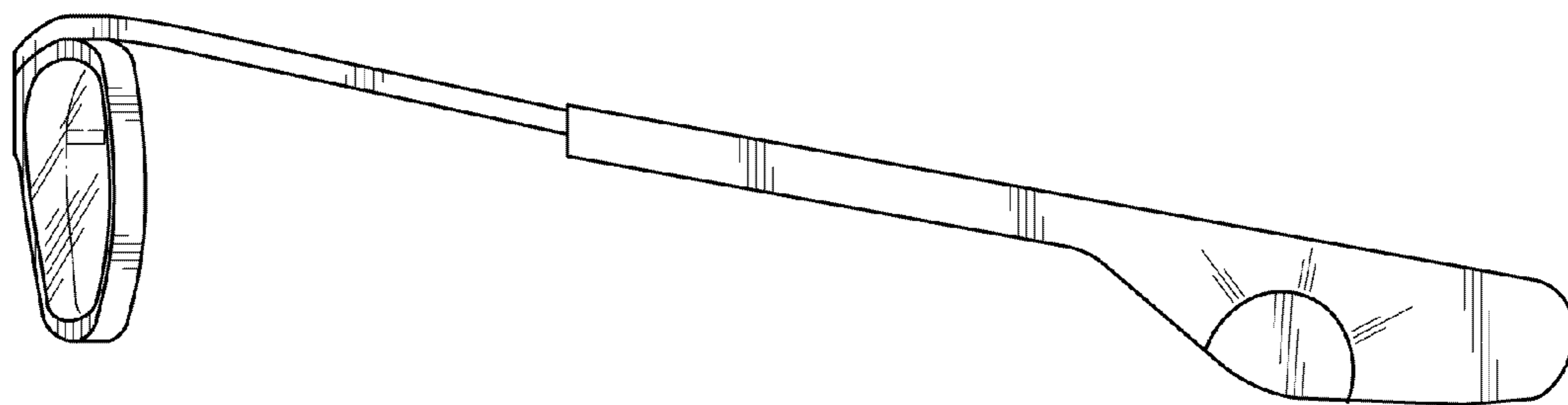


FIG. 5

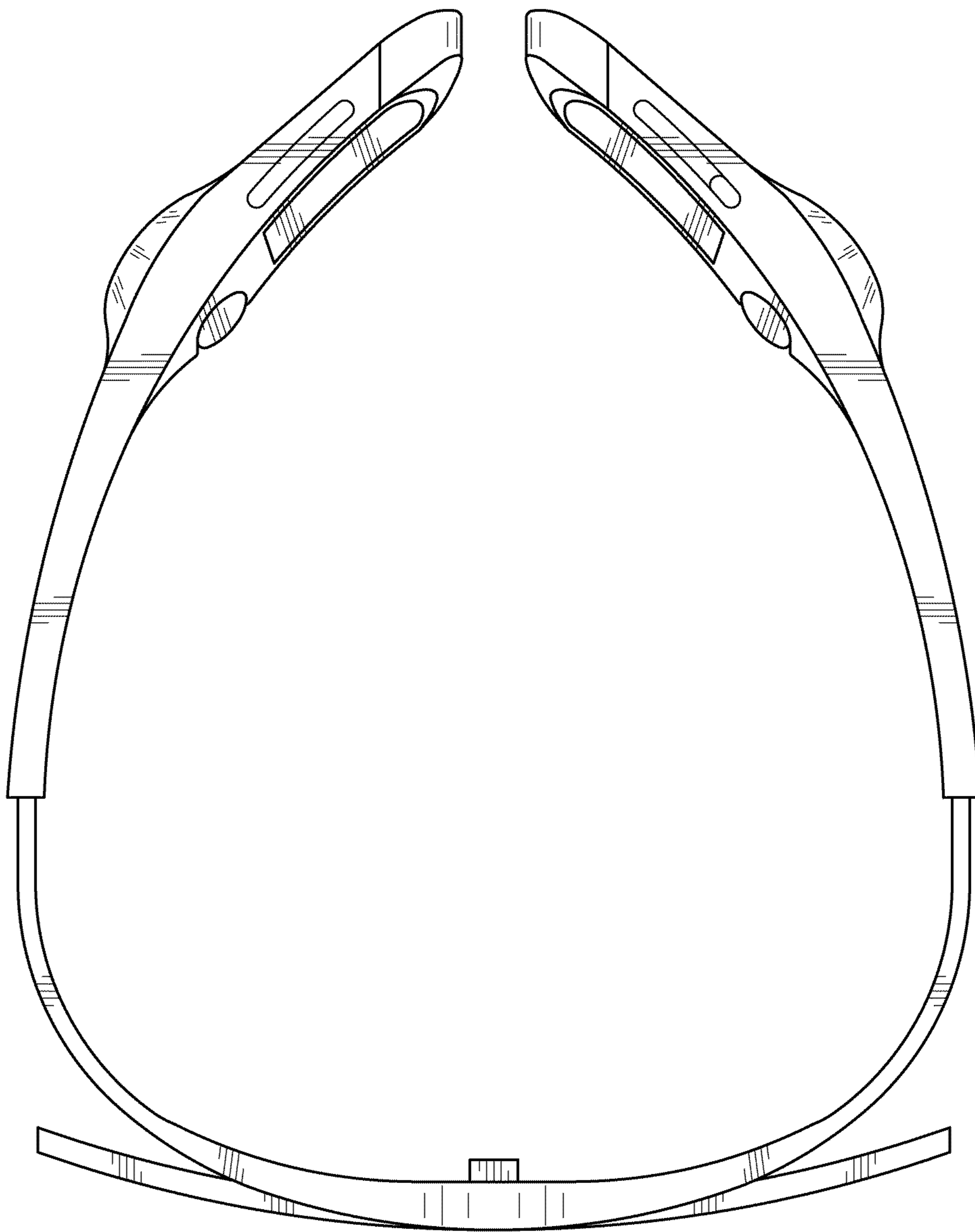


FIG.6

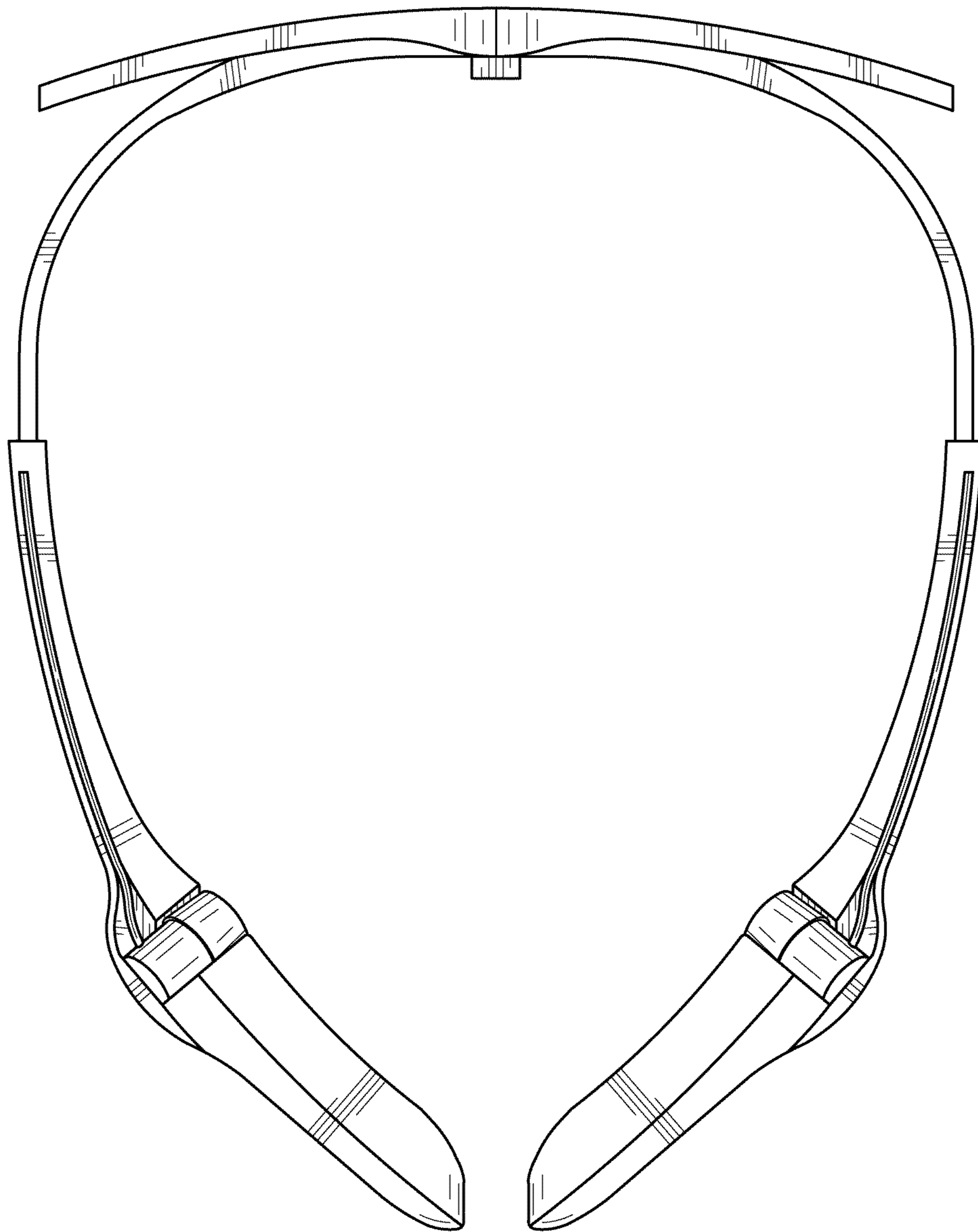


FIG.7

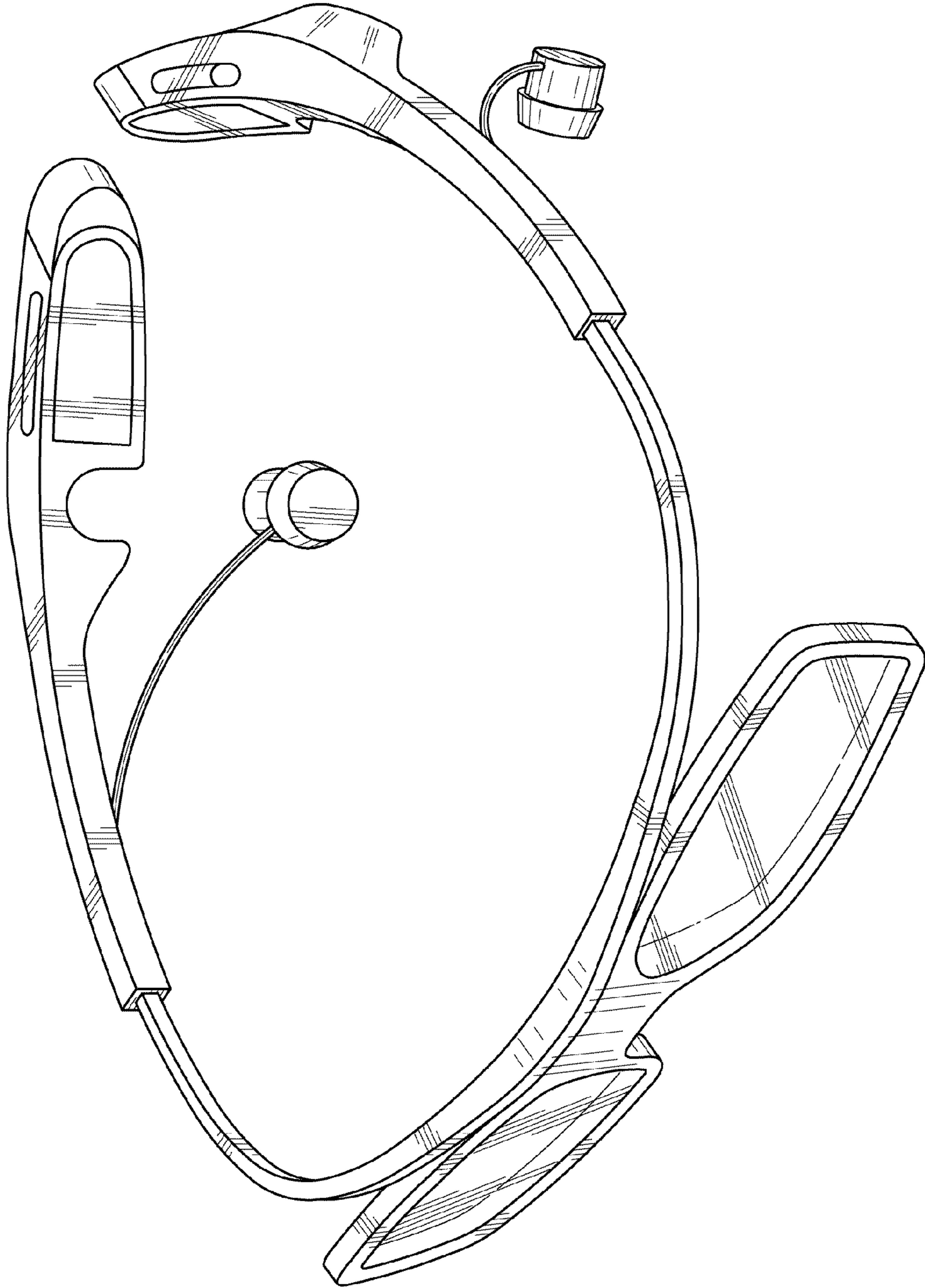


FIG.8