



US00D685017S

(12) **United States Design Patent**
Kato

(10) **Patent No.:** **US D685,017 S**
(45) **Date of Patent:** **** Jun. 25, 2013**

(54) **VISUAL PRESENTER**

(75) Inventor: **Tetsuro Kato**, Aichi (JP)

(73) Assignee: **Elmo Co., Ltd.**, Aichi (JP)

(**) Term: **14 Years**

(21) Appl. No.: **29/414,003**

(22) Filed: **Feb. 23, 2012**

(30) **Foreign Application Priority Data**

Aug. 24, 2011 (JP) D2011-019149

(51) **LOC (9) Cl.** **16-02**

(52) **U.S. Cl.**
USPC **D16/235**

(58) **Field of Classification Search**
USPC D16/208, 221, 225, 229, 232-233; D14/423;
348/373; 353/112, 119-120; 396/428, 430-431
See application file for complete search history.

(56) **References Cited**

U.S. PATENT DOCUMENTS

5,978,028	A *	11/1999	Yamane	348/373
7,245,441	B2 *	7/2007	Wu et al.	396/430
D573,146	S *	7/2008	Sukenari et al.	D14/431
D607,482	S *	1/2010	Inoue et al.	D16/232
D642,608	S *	8/2011	Kato	D16/232
2011/0134313	A1 *	6/2011	Kato	348/373

OTHER PUBLICATIONS

AVerVision VP-1 Portable Visual Presenter. [Retrieved on Oct. 23, 2012]. Retrieved from the Internet: <URL: <http://www.ubergizmo.com/2009/01/avervision-vp-1-portable-visual-resenter/>>.*

MO-1 Visual Presenter. © 2012 Elmo USA Corp. [Retrieved on Oct. 23, 2012]. Retrieved from the Internet: <URL: <http://www.elmousa.com/mo-1-visual-presenter>>.*

Portable Scanner and Visual Presenter (P04). Copyright © 2012 Focus Technology Co., Ltd. [Retrieved on Oct. 23, 2012]. Retrieved from the Internet: <URL: [http://www.made-in-chain.com/show-room/dingyisales2/product-detailveJQgAuOaXrz/C...>.*](http://www.made-in-chain.com/show-room/dingyisales2/product-detailveJQgAuOaXrz/C...)

* cited by examiner

Primary Examiner — Wan Laymon

(74) *Attorney, Agent, or Firm* — Posz Law Group, PLC

(57) **CLAIM**

The ornamental design for a visual presenter, as shown and described.

DESCRIPTION

FIG. 1 is a front, top, and right side perspective view of the visual presenter.

FIG. 2 is a front view of the visual presenter.

FIG. 3 is a rear view of the visual presenter.

FIG. 4 is a right side view of the visual presenter.

FIG. 5 is a left side view of the visual presenter.

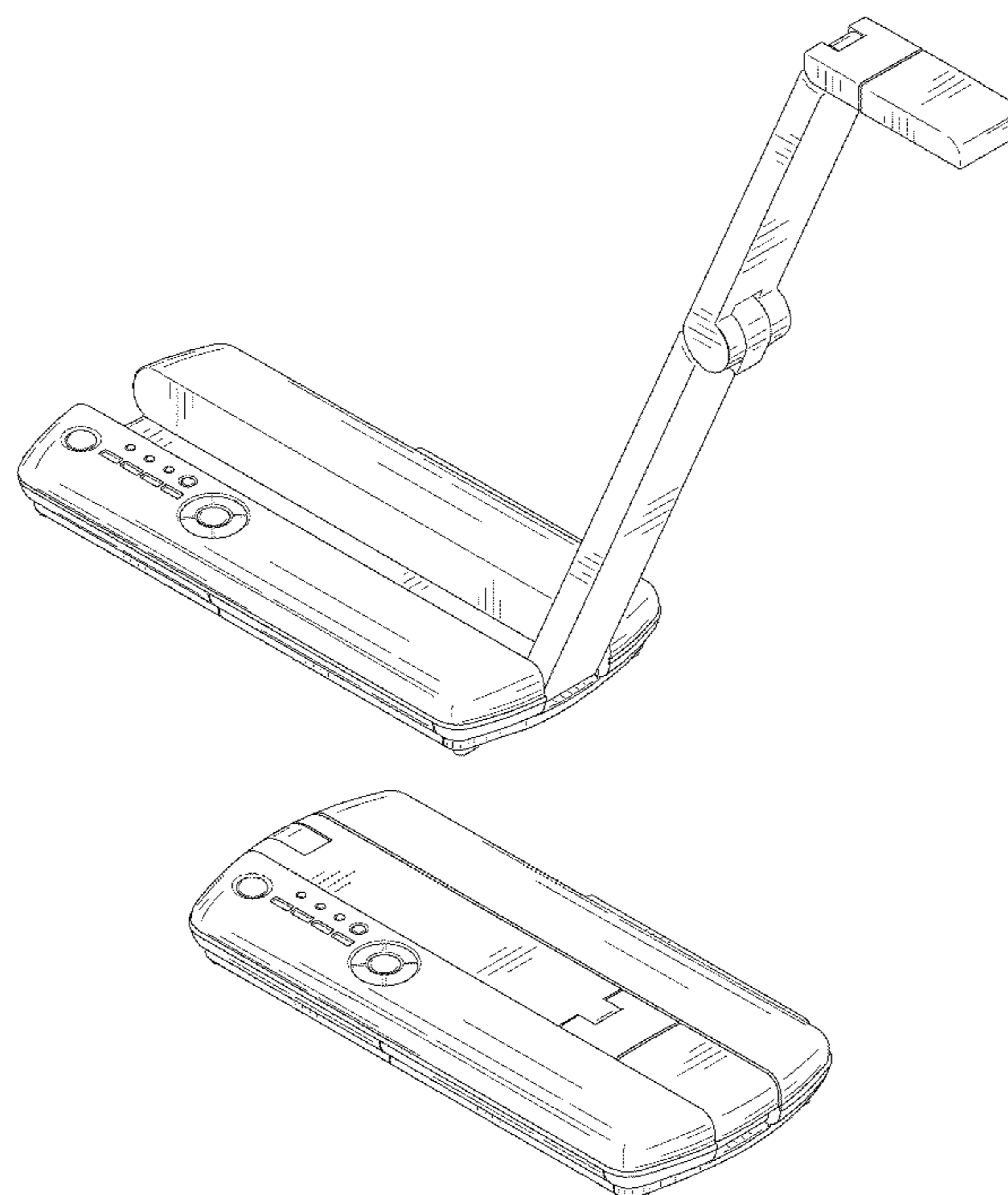
FIG. 6 is a top view of the visual presenter.

FIG. 7 is a bottom view of the visual presenter; and,

FIG. 8 is a reference view showing folding state of the visual presenter.

The broken lines shown in the figures represent portions of the visual presenter that form no part of the claimed design.

1 Claim, 8 Drawing Sheets



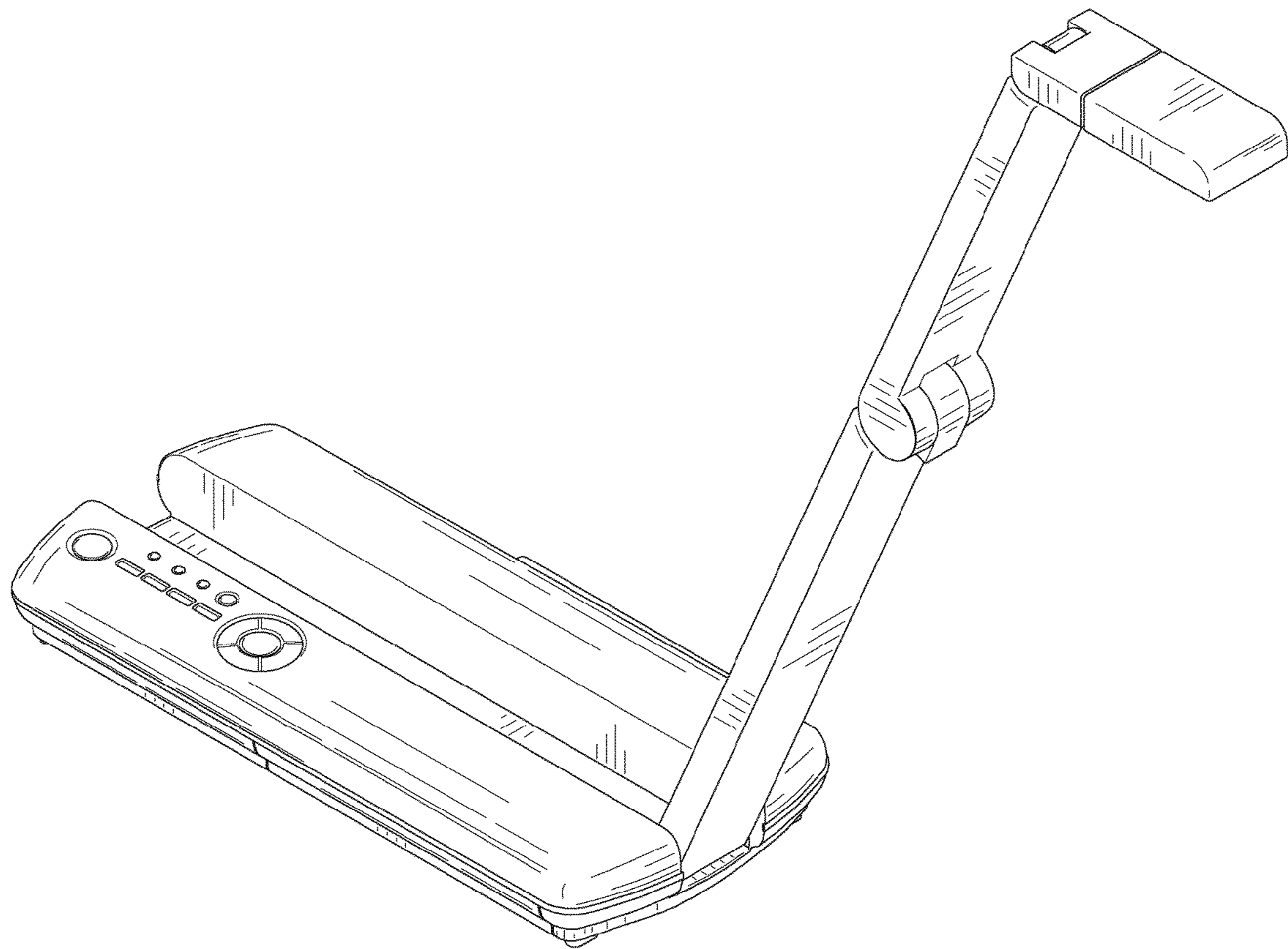


FIG. 1

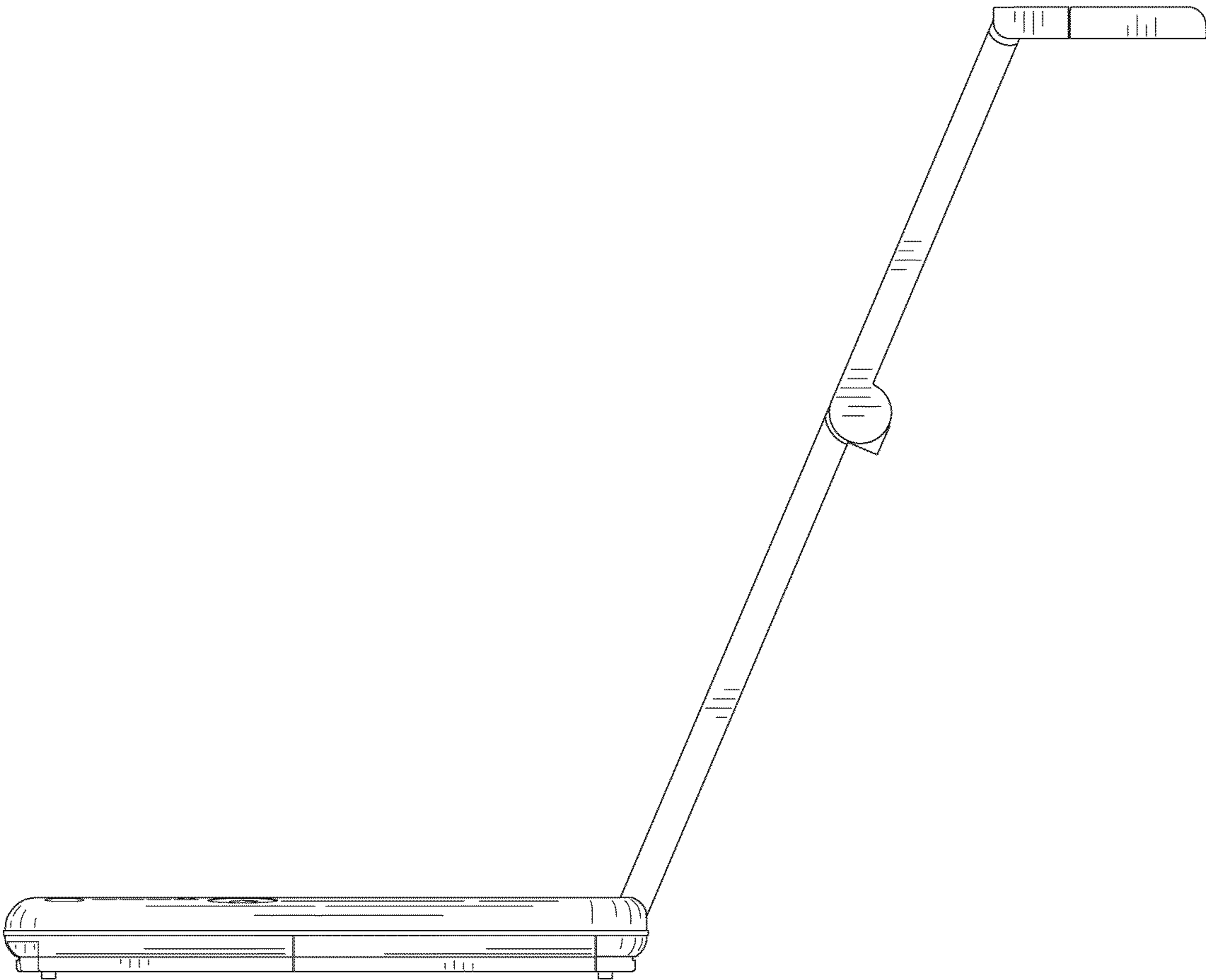


FIG. 2

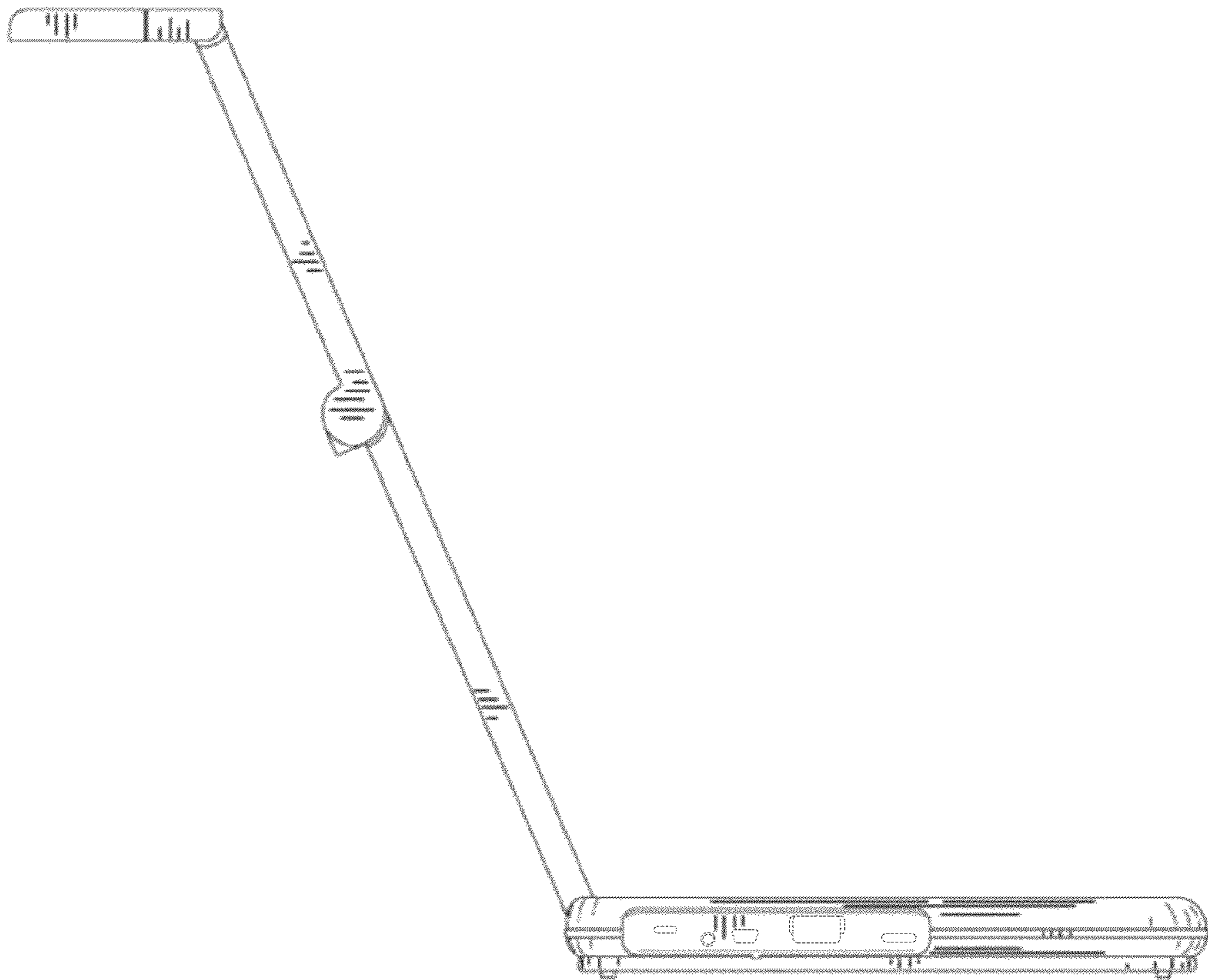


Fig. 3

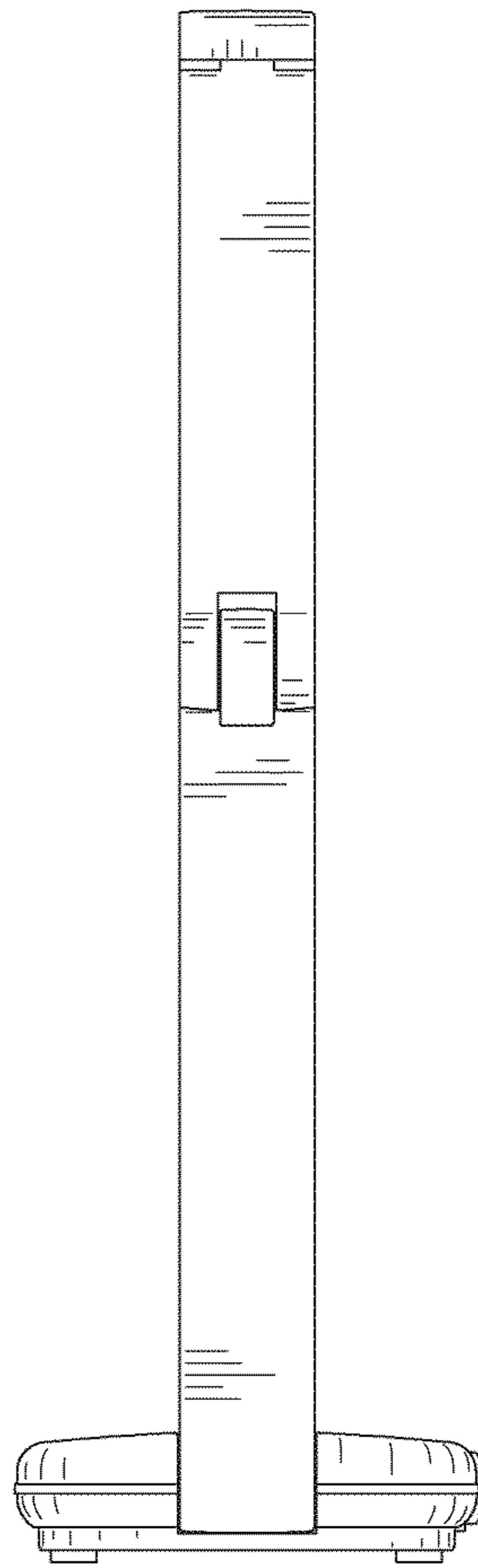


FIG. 4

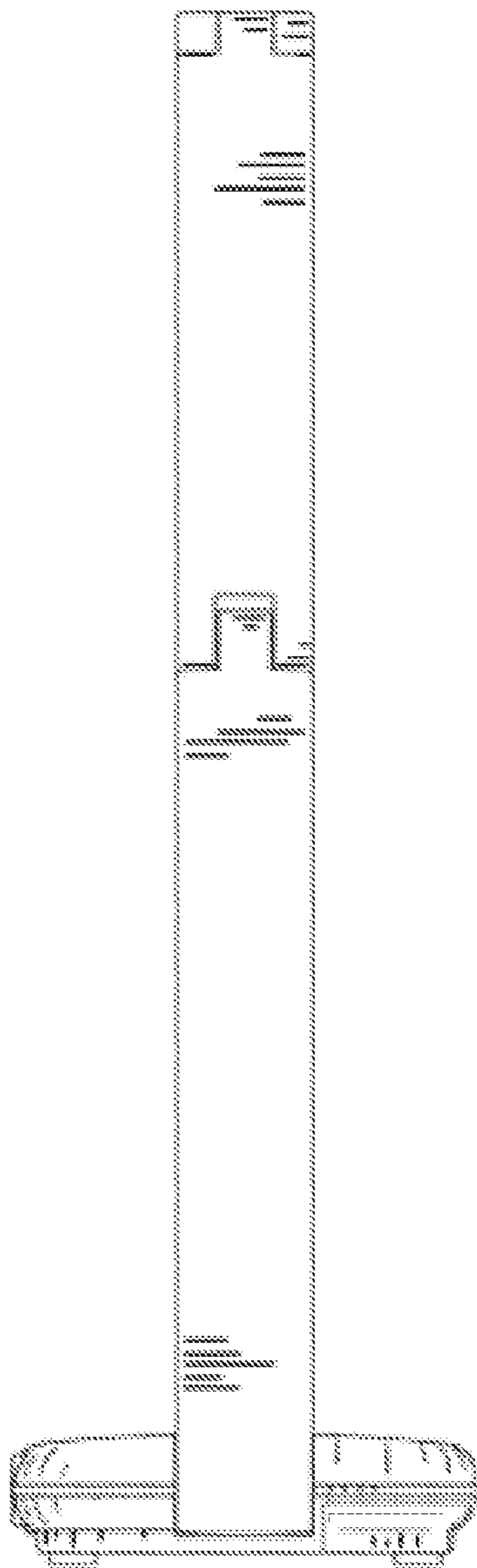


Fig. 5

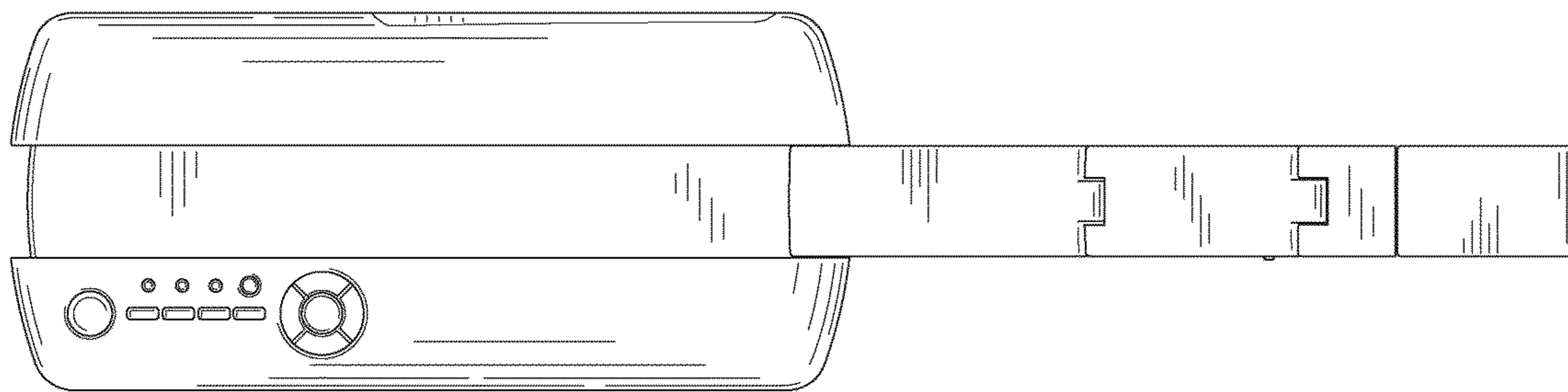
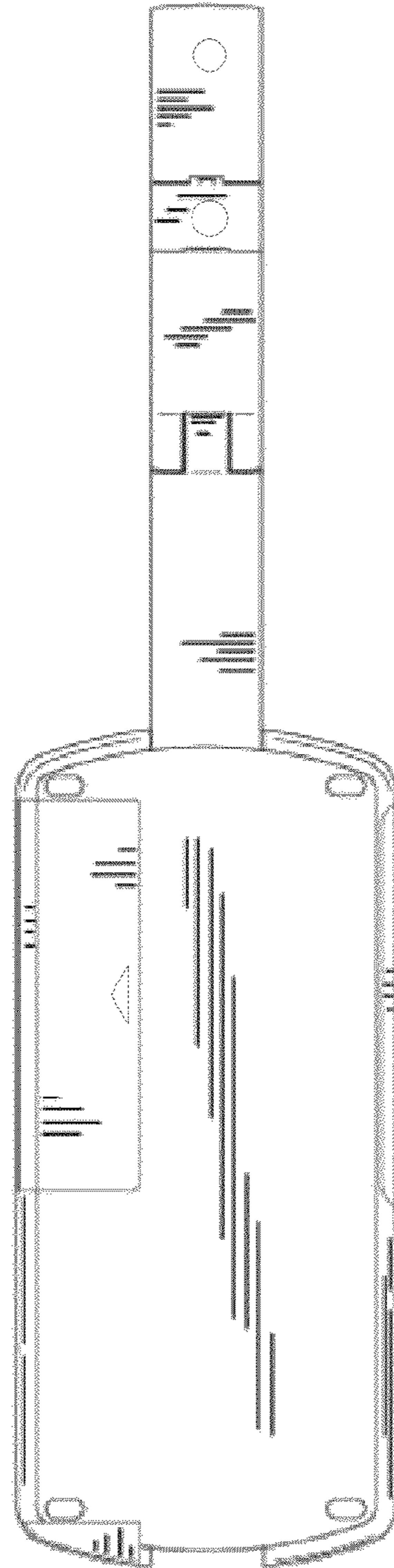


FIG. 6

Fig. 7



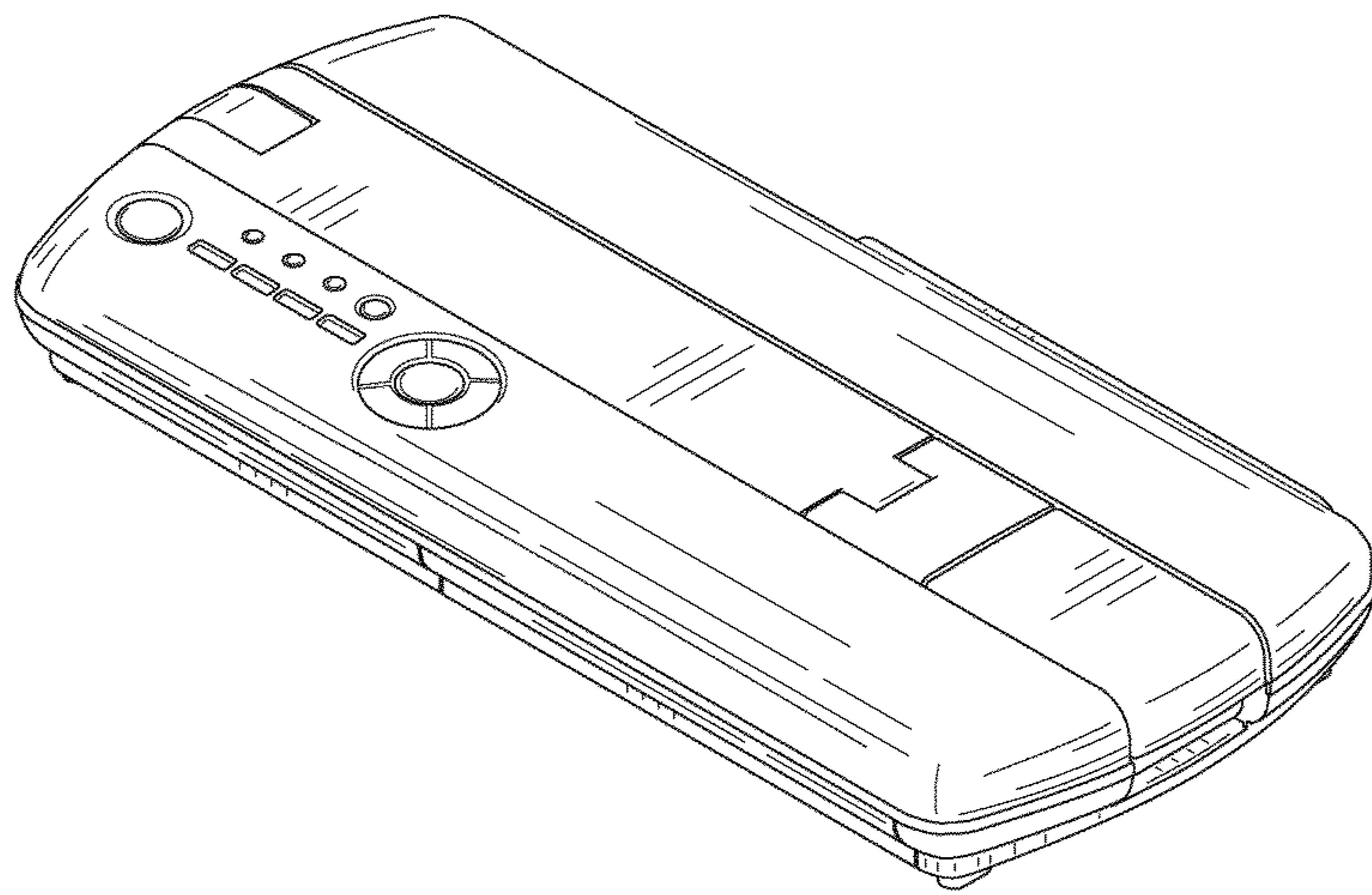


FIG. 8