



US00D685016S

(12) **United States Design Patent**
Senda et al.

(10) **Patent No.:** **US D685,016 S**
(45) **Date of Patent:** **** Jun. 25, 2013**

(54) **PROJECTOR**

(75) Inventors: **Haruki Senda**, Matsumoto (JP); **Saeko Inoue**, Matsumoto (JP); **Hideki Takasuka**, Matsumoto (JP); **Daigo Yamano**, Shiojiri (JP)

(73) Assignee: **Seiko Epson Corporation**, Tokyo (JP)

(**) Term: **14 Years**

(21) Appl. No.: **29/421,571**

(22) Filed: **Jun. 6, 2012**

Related U.S. Application Data

(62) Division of application No. 29/391,575, filed on May 10, 2011, now Pat. No. Des. 664,585.

(30) **Foreign Application Priority Data**

Jan. 4, 2011 (JP) 2011-000009
Jan. 4, 2011 (JP) 2011-000010

(51) **LOC (9) Cl.** **16-02**

(52) **U.S. Cl.**
USPC **D16/230; D16/225**

(58) **Field of Classification Search**
USPC D16/205, 208, 221, 225, 230-231,
D16/234; D21/514; 353/115, 119, 122
See application file for complete search history.

(56) **References Cited**

U.S. PATENT DOCUMENTS

D464,074 S 10/2002 Miyazaki
D473,253 S 4/2003 Shimamoto
D498,490 S 11/2004 Kawasaki et al.
7,156,526 B2 1/2007 Tanaka
D544,898 S * 6/2007 Kawabe et al. D16/230
D551,691 S 9/2007 Sakamaki et al.

D552,656 S 10/2007 Oota et al.
D574,406 S * 8/2008 Sakamaki et al. D16/230
D591,784 S 5/2009 Inoue et al.
D606,110 S 12/2009 Inoue et al.
D614,684 S * 4/2010 Inoue et al. D16/230
D615,575 S 5/2010 Inoue et al.
D647,120 S 10/2011 Kawabe et al.
D647,121 S 10/2011 Kawabe et al.
D659,737 S * 5/2012 Inoue et al. D16/230
2010/0245785 A1 9/2010 Kamiya et al.
2011/0279791 A1 11/2011 Okoshi

FOREIGN PATENT DOCUMENTS

CN 301157281 * 3/2010
CN 301715071 * 11/2011
CN 301751777 * 12/2011
JP D1371259 S 10/2009

* cited by examiner

Primary Examiner — Wan Laymon

(57) **CLAIM**

The ornamental design for a projector, as shown and described.

DESCRIPTION

FIG. 1 is a front, top and right side perspective view of a projector showing our new design;
FIG. 2 is a front view thereof;
FIG. 3 is a rear view thereof;
FIG. 4 is a top plan view thereof;
FIG. 5 is a bottom plan view thereof;
FIG. 6 is a right side elevational view thereof;
FIG. 7 is a left side elevational view thereof; and,
FIG. 8 is a perspective view like FIG. 1, except that FIG. 8 shows the article with the shutter closed.

The features shown in broken lines in the drawings depict environmental subject matter only and form no part of the claimed design.

1 Claim, 6 Drawing Sheets

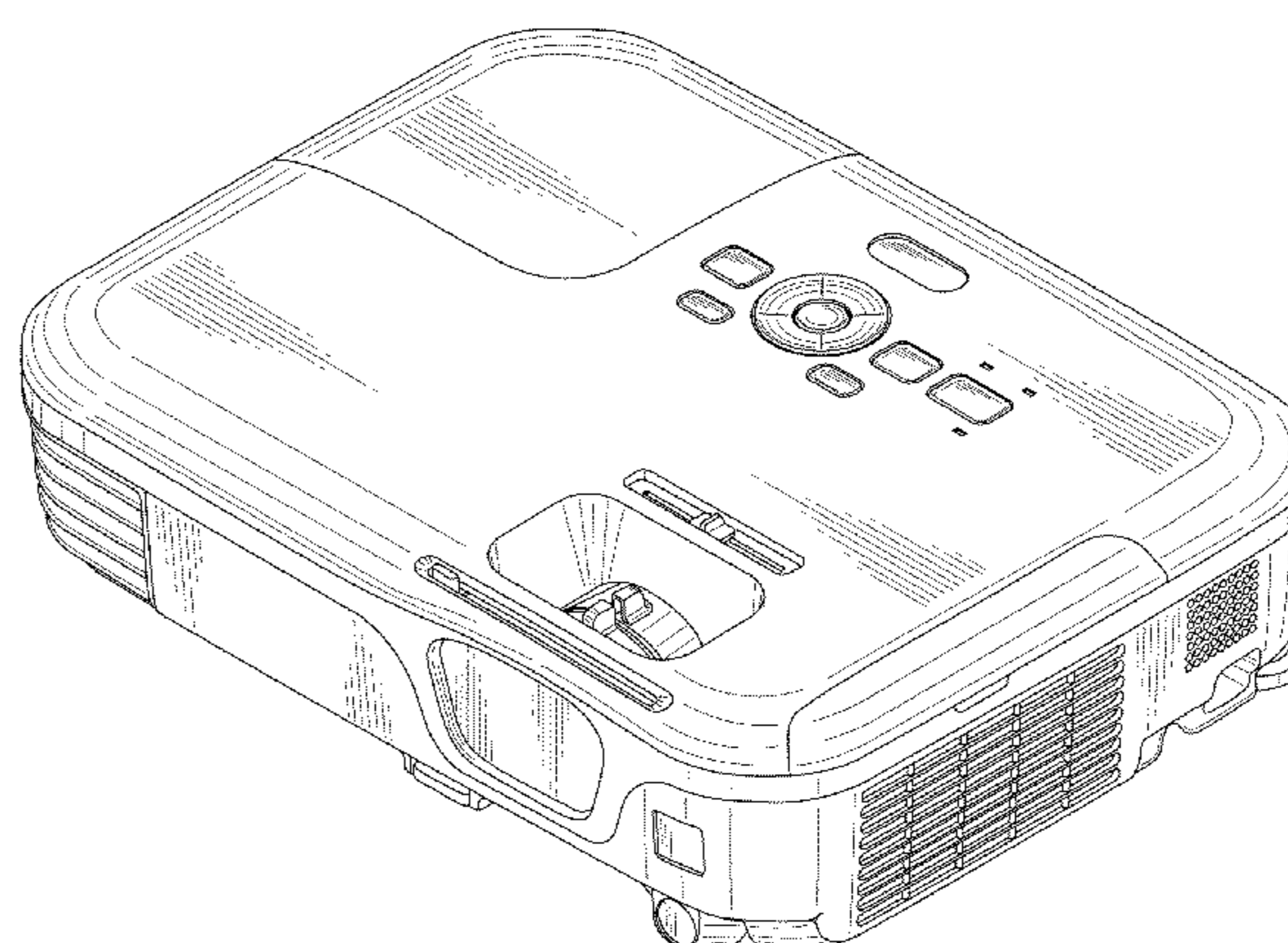
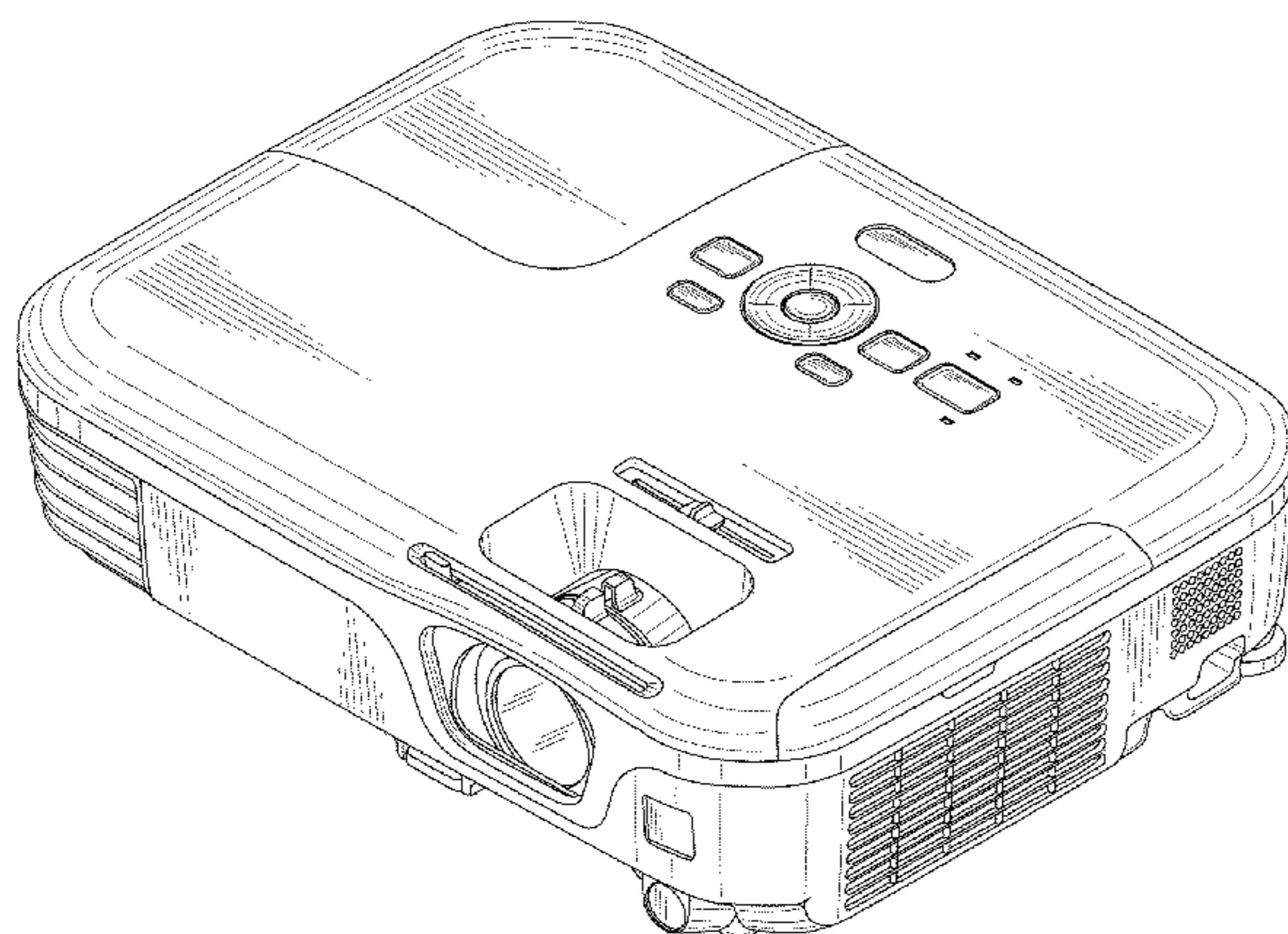


FIG. 1

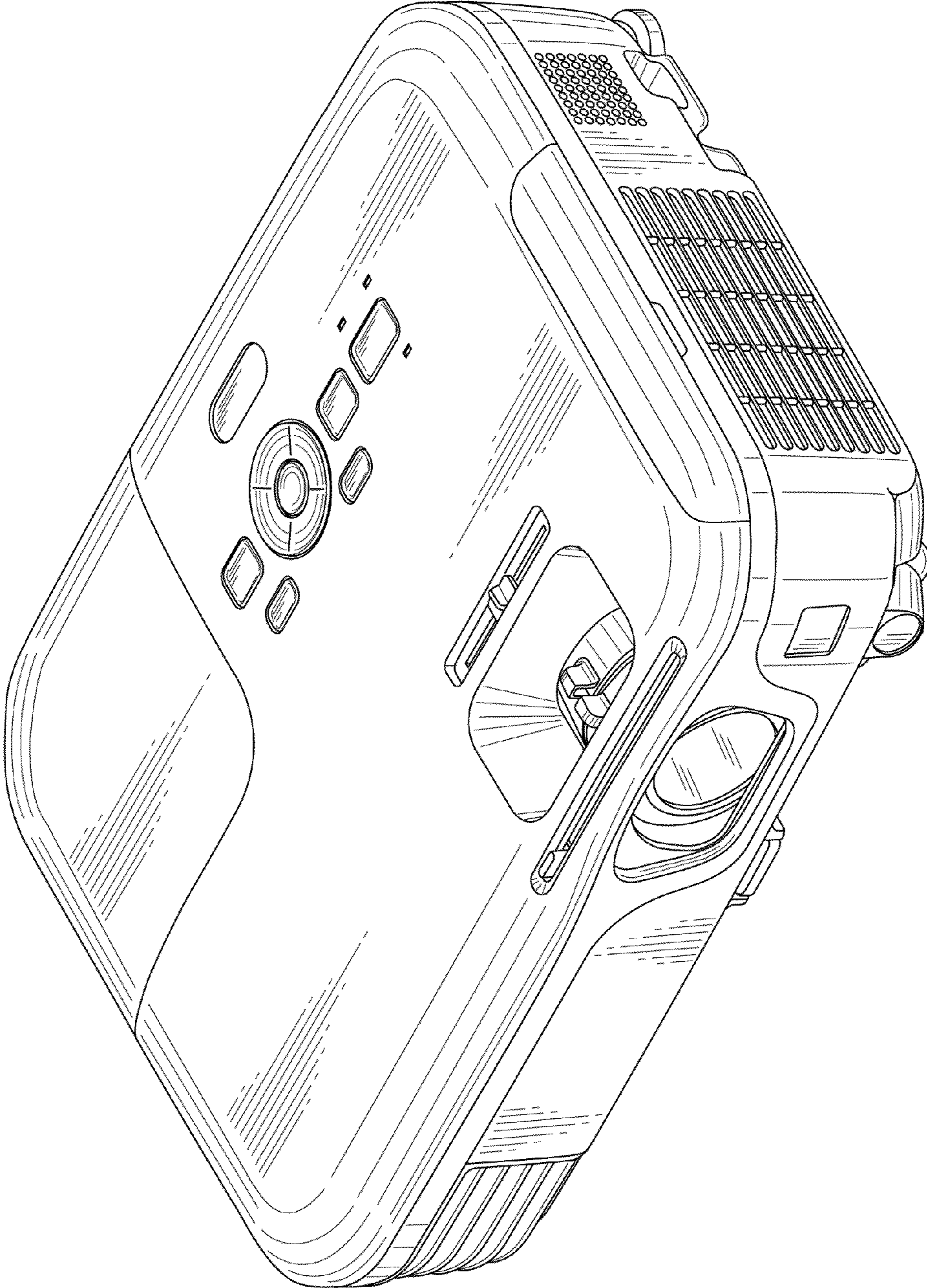


FIG. 2

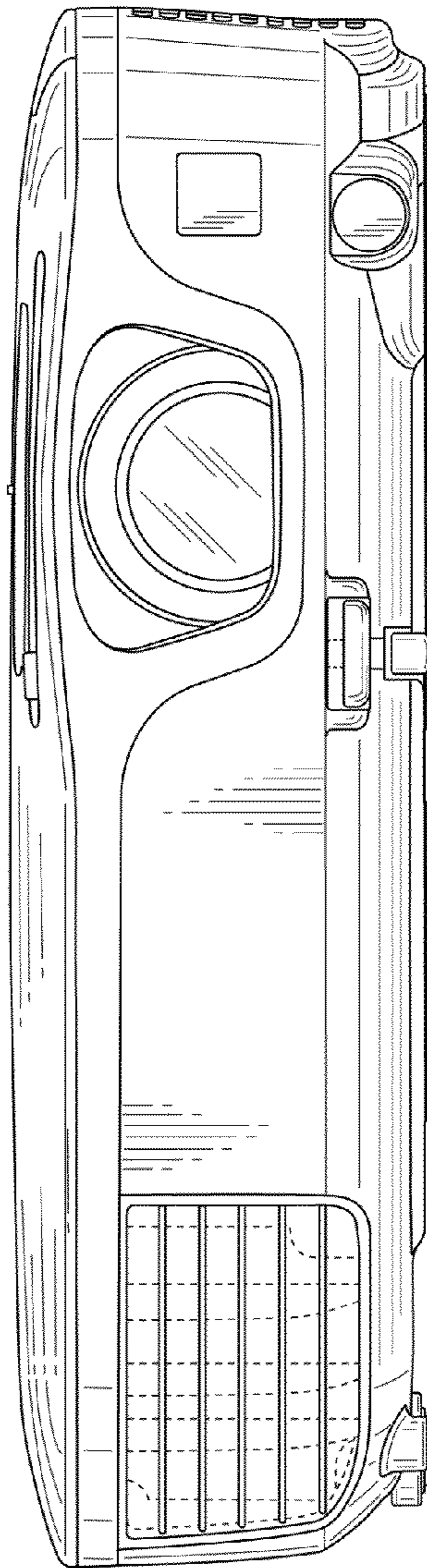


FIG. 3

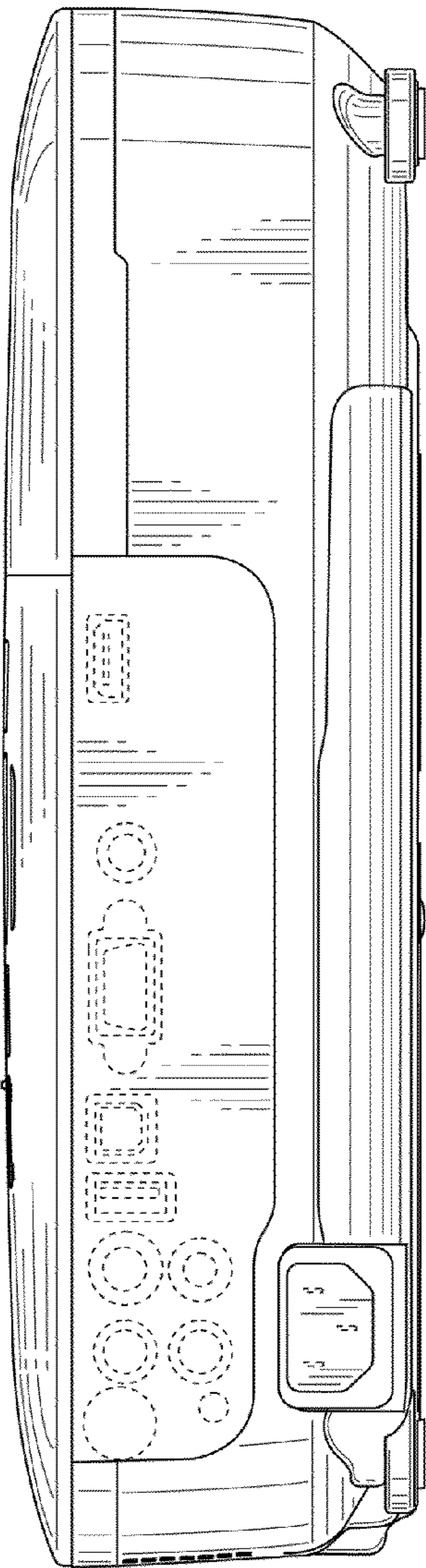


FIG. 4

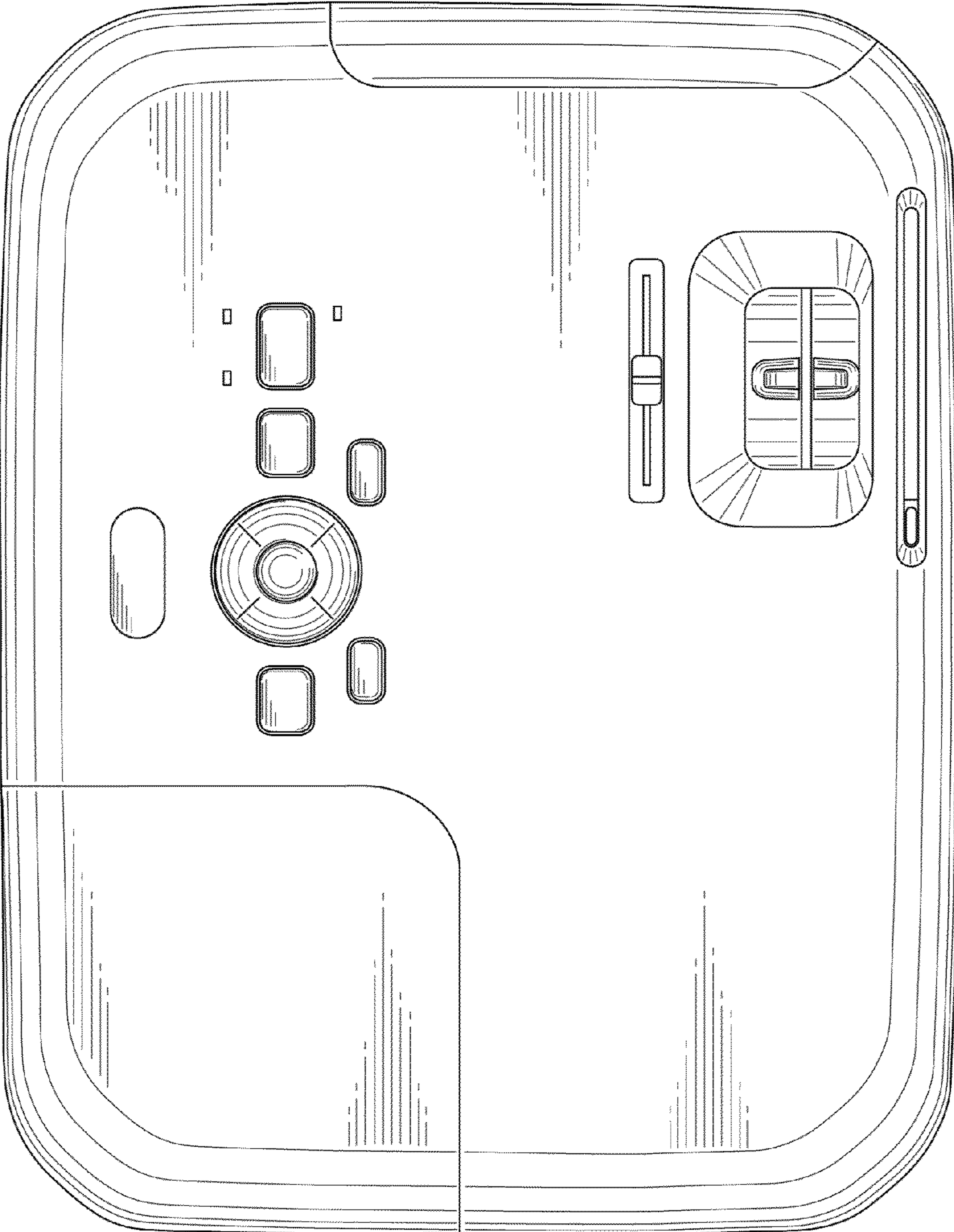


FIG. 5

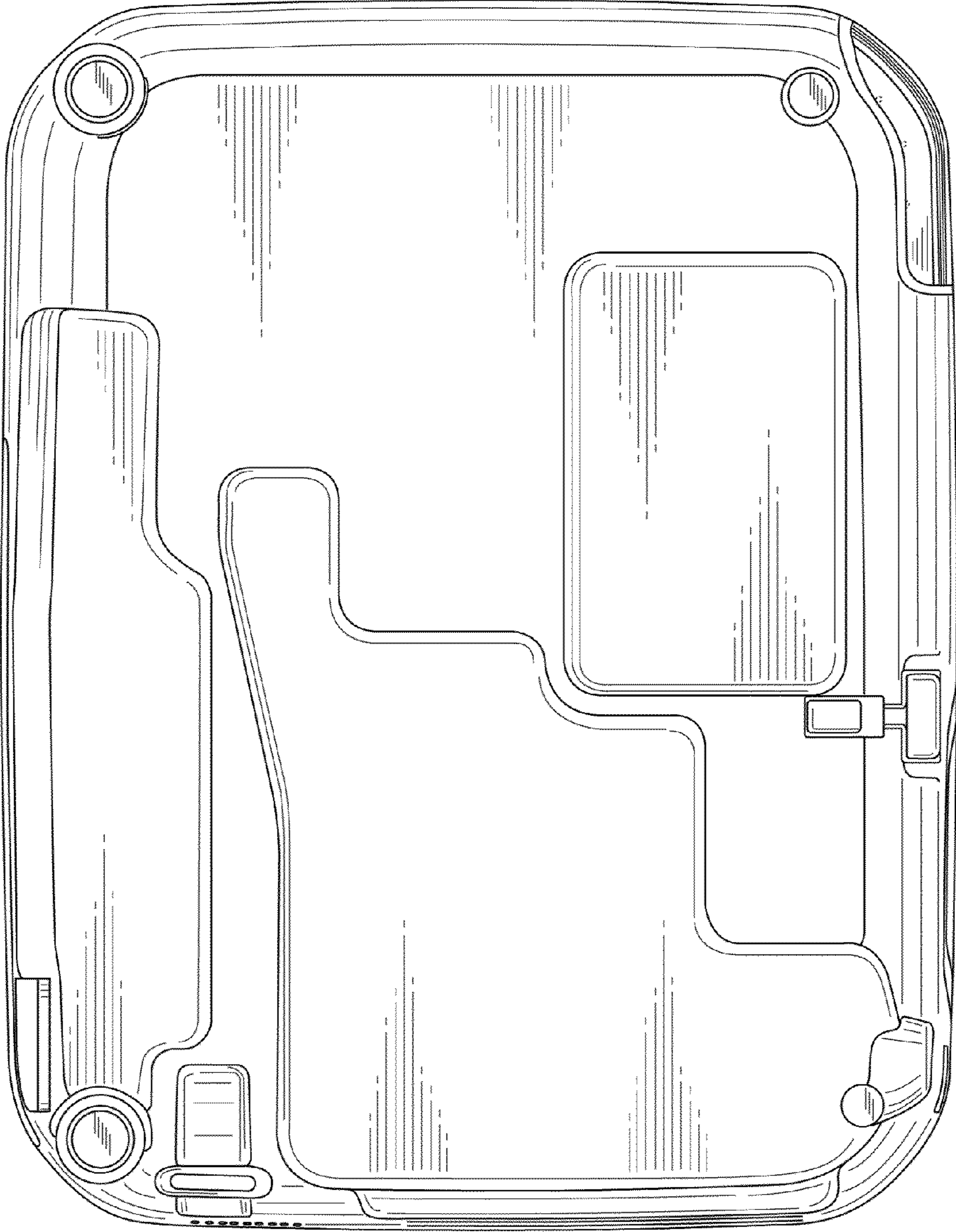


FIG. 6

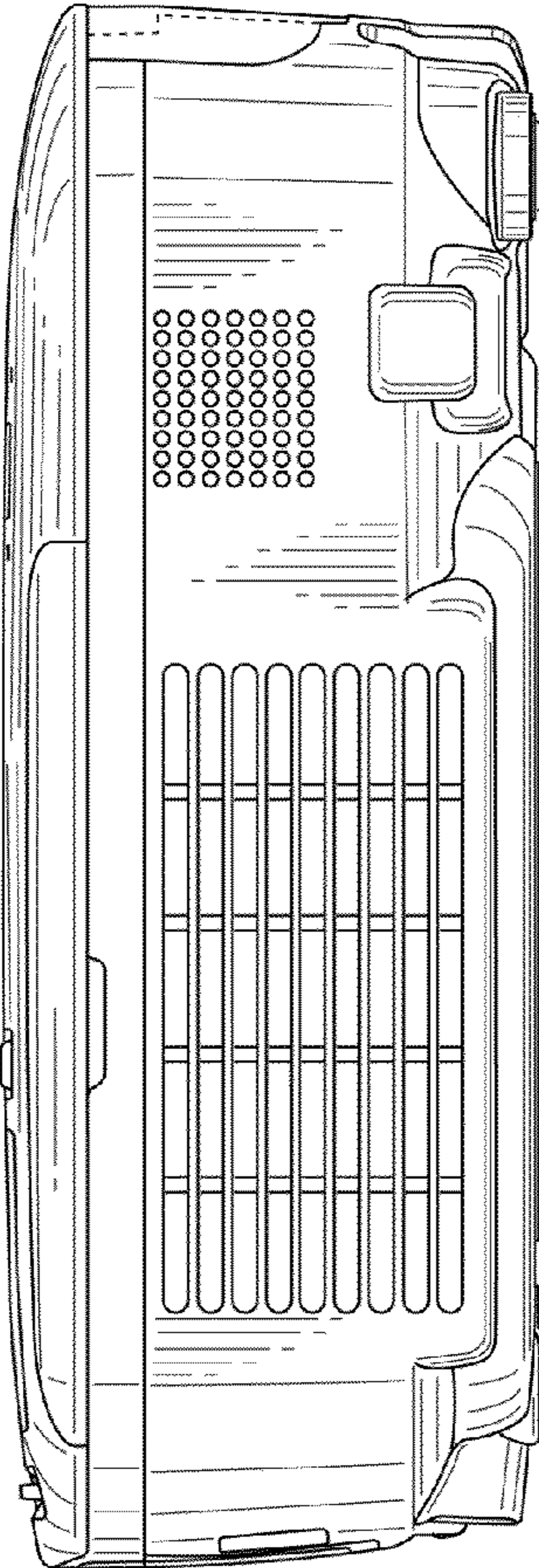


FIG. 7

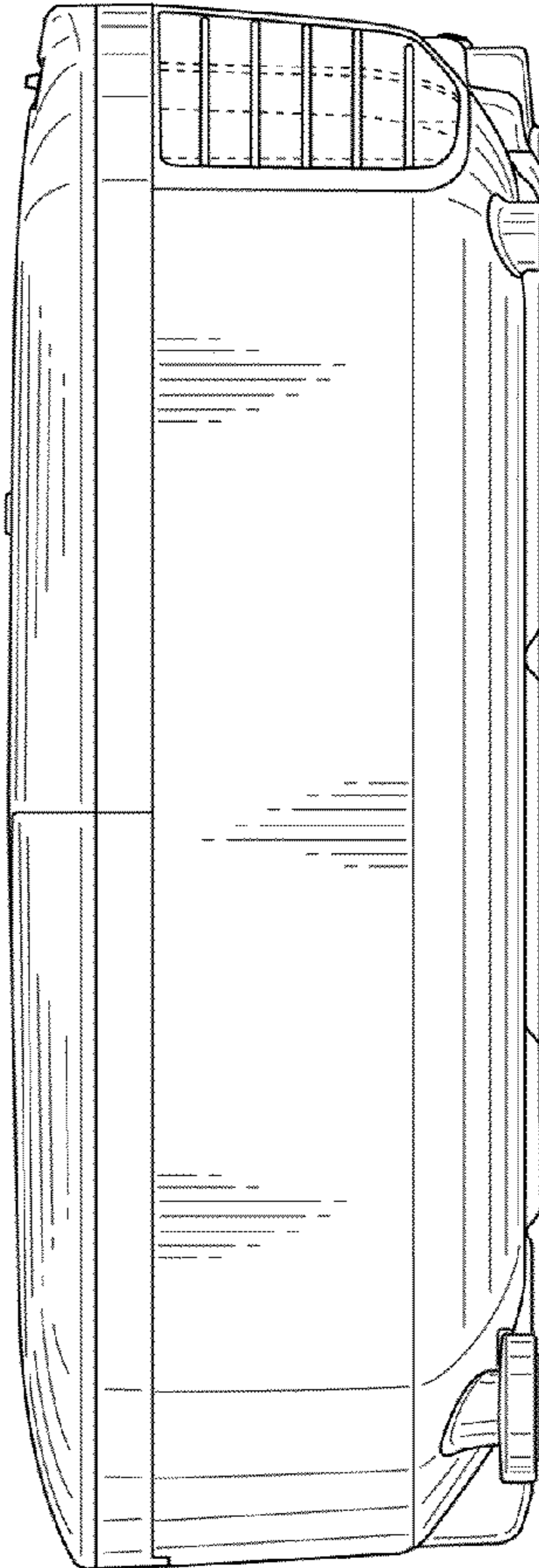


FIG. 8

