



US00D685015S

(12) **United States Design Patent**  
**Wang et al.**

(10) **Patent No.:** **US D685,015 S**  
(45) **Date of Patent:** **\*\* Jun. 25, 2013**

(54) **WEB CAMERA**

(75) Inventors: **Chu-Fu Wang**, New Taipei (TW);  
**Chang-Ta Miao**, Taipei (TW);  
**Gwo-Chyuan Chen**, Taipei (TW)

(73) Assignee: **Quanta Computer Inc.**, Taoyuan Shien (TW)

(\*\*) Term: **14 Years**

(21) Appl. No.: **29/424,341**

(22) Filed: **Jun. 11, 2012**

(30) **Foreign Application Priority Data**

May 2, 2012 (TW) ..... 101302469

(51) **LOC (9) Cl.** ..... **16-01**

(52) **U.S. Cl.**  
USPC ..... **D16/202; D16/242**

(58) **Field of Classification Search**  
USPC ..... D16/200, 202, 208, 218, 242; 348/14.01,  
348/373-376; 396/419, 428, 535, 540, 541  
See application file for complete search history.

(56) **References Cited**

**U.S. PATENT DOCUMENTS**

7,093,811 B2 \* 8/2006 Wu ..... 248/229.12  
D619,484 S \* 7/2010 Ikeda et al. .... D10/106.7

7,775,486 B2 \* 8/2010 Depay et al. .... 348/373  
D654,942 S \* 2/2012 Khamsepoor et al. .... D16/242  
D662,532 S \* 6/2012 Chang ..... D16/202  
D664,579 S \* 7/2012 Tzeng ..... D16/202  
D665,439 S \* 8/2012 Khamsepoor et al. .... D16/202  
D665,441 S \* 8/2012 McManigal ..... D16/202  
D669,111 S \* 10/2012 Ravi et al. .... D16/218  
D675,660 S \* 2/2013 Su ..... D16/202

\* cited by examiner

*Primary Examiner* — Adir Aronovich

(74) *Attorney, Agent, or Firm* — Rabin & Berdo, P.C.

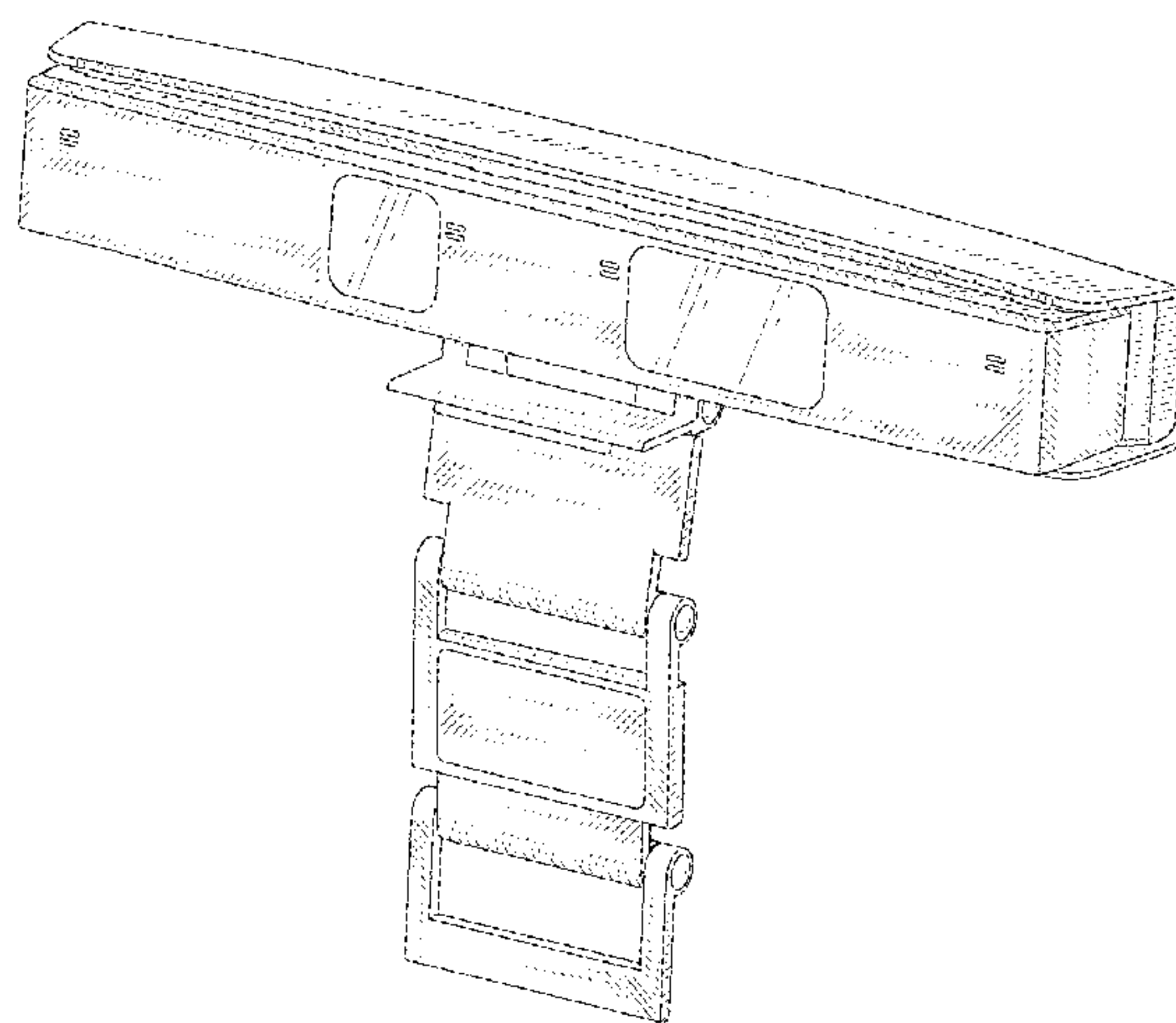
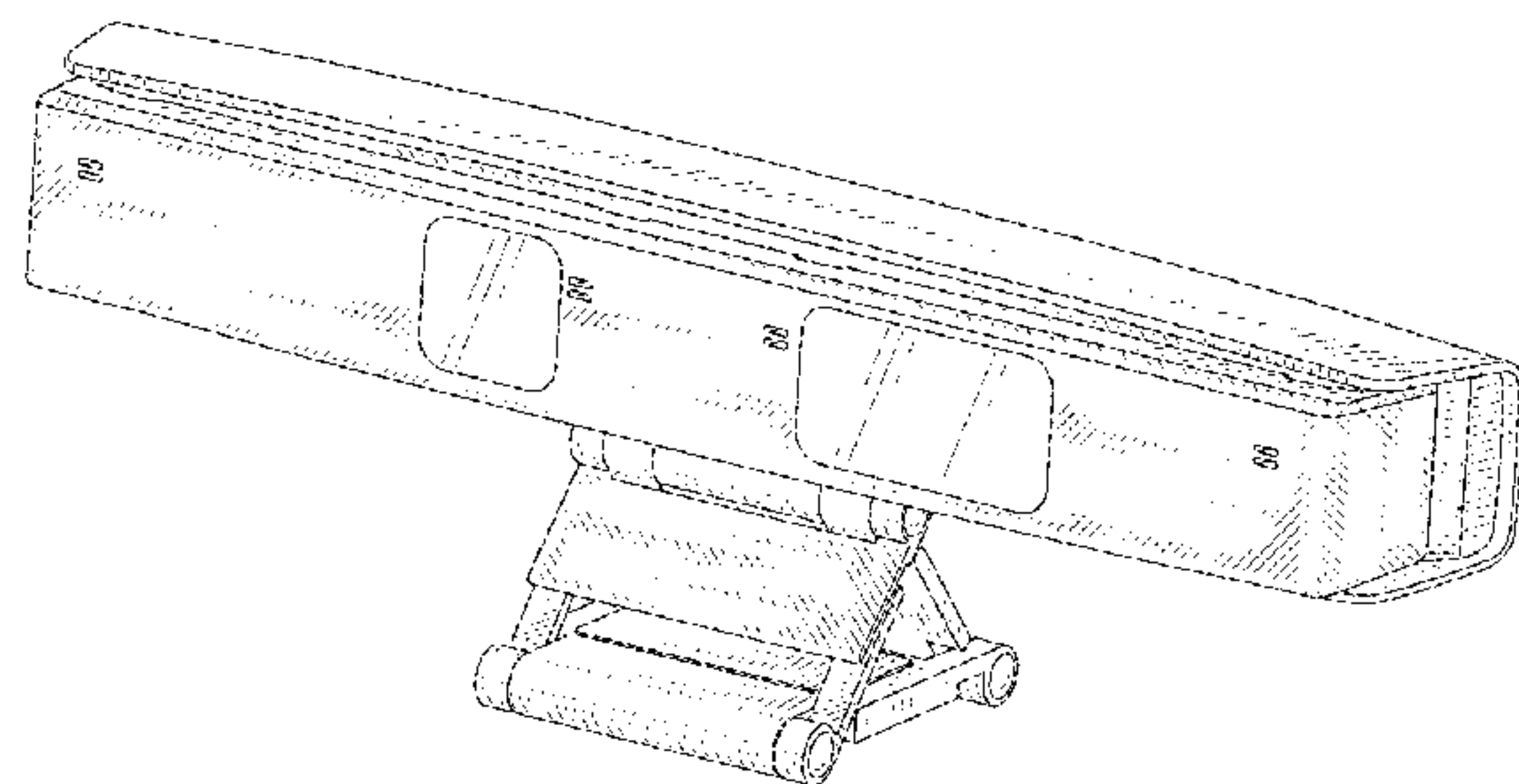
(57) **CLAIM**

The ornamental design for a web camera, as shown and described.

**DESCRIPTION**

FIG. 1 is a front, top and right side perspective view of a web camera showing our new design;  
FIG. 2 is a front elevational view thereof;  
FIG. 3 is a rear elevational view thereof;  
FIG. 4 left side elevational view thereof;  
FIG. 5 is right side elevational view thereof;  
FIG. 6 is top plan thereof;  
FIG. 7 is bottom plan view thereof; and,  
FIG. 8 is a front, top and right side perspective view showing the web camera in an open state.

**1 Claim, 5 Drawing Sheets**



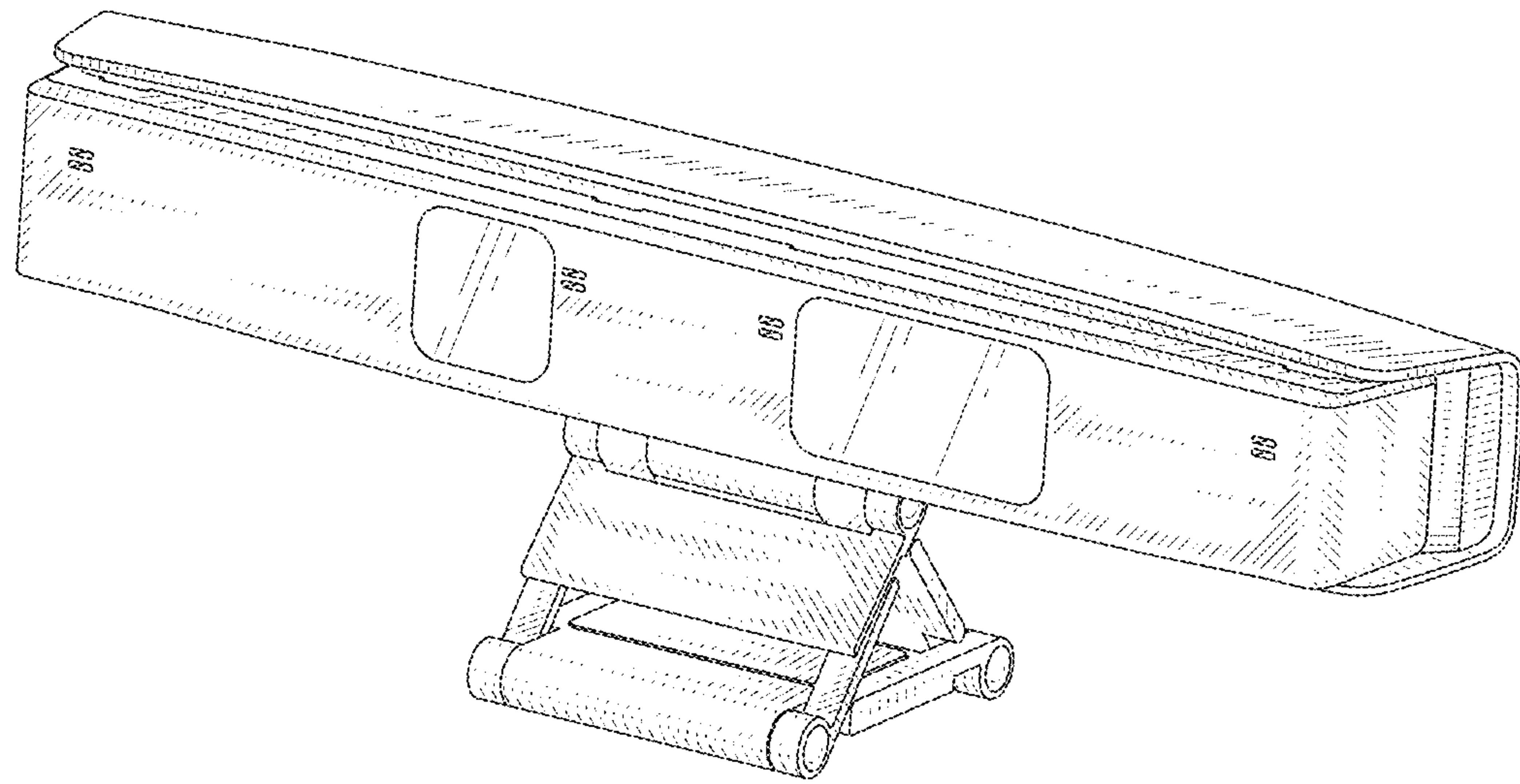


Fig. 1

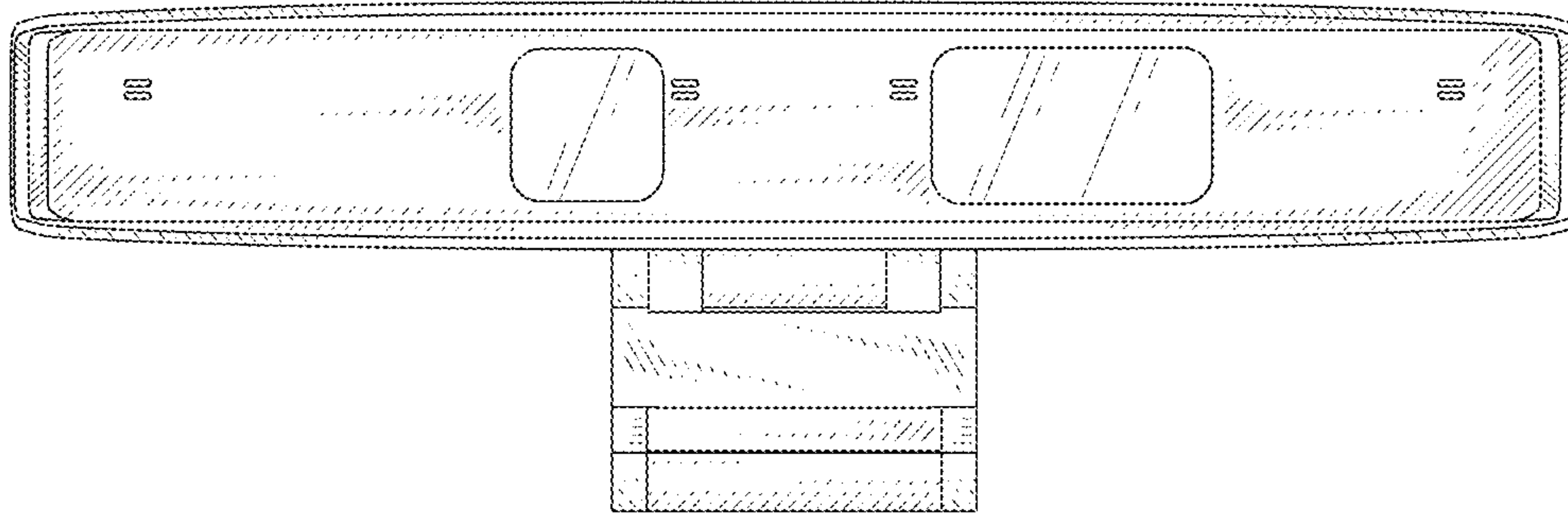


Fig. 2

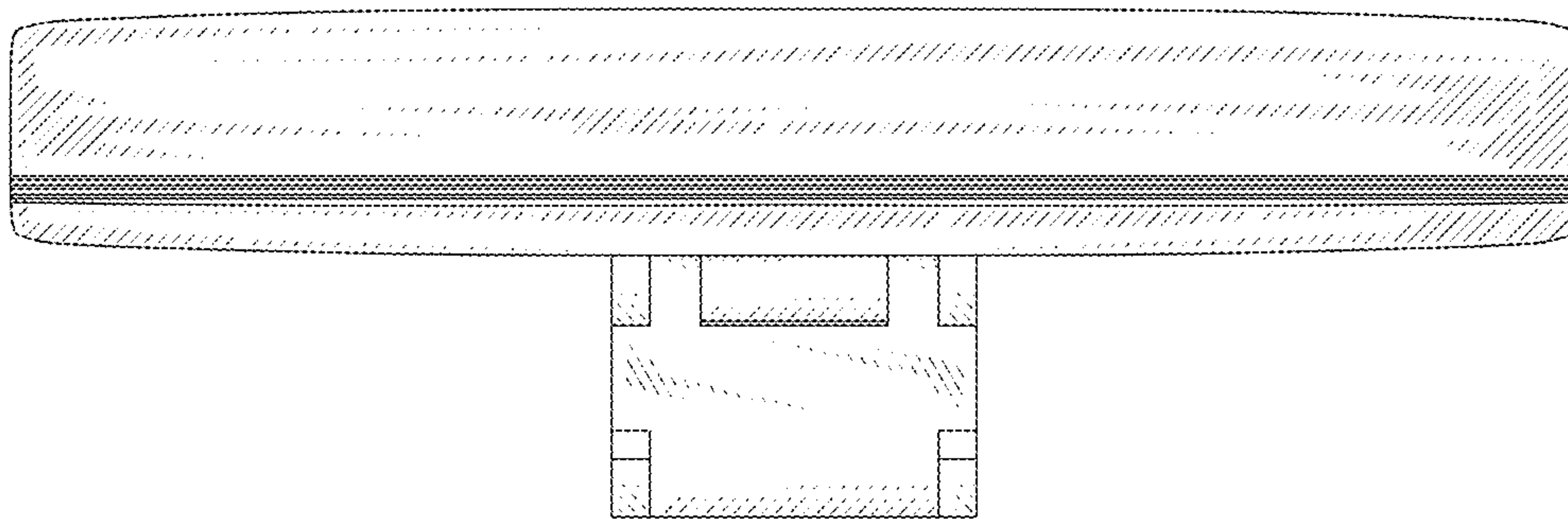


Fig. 3

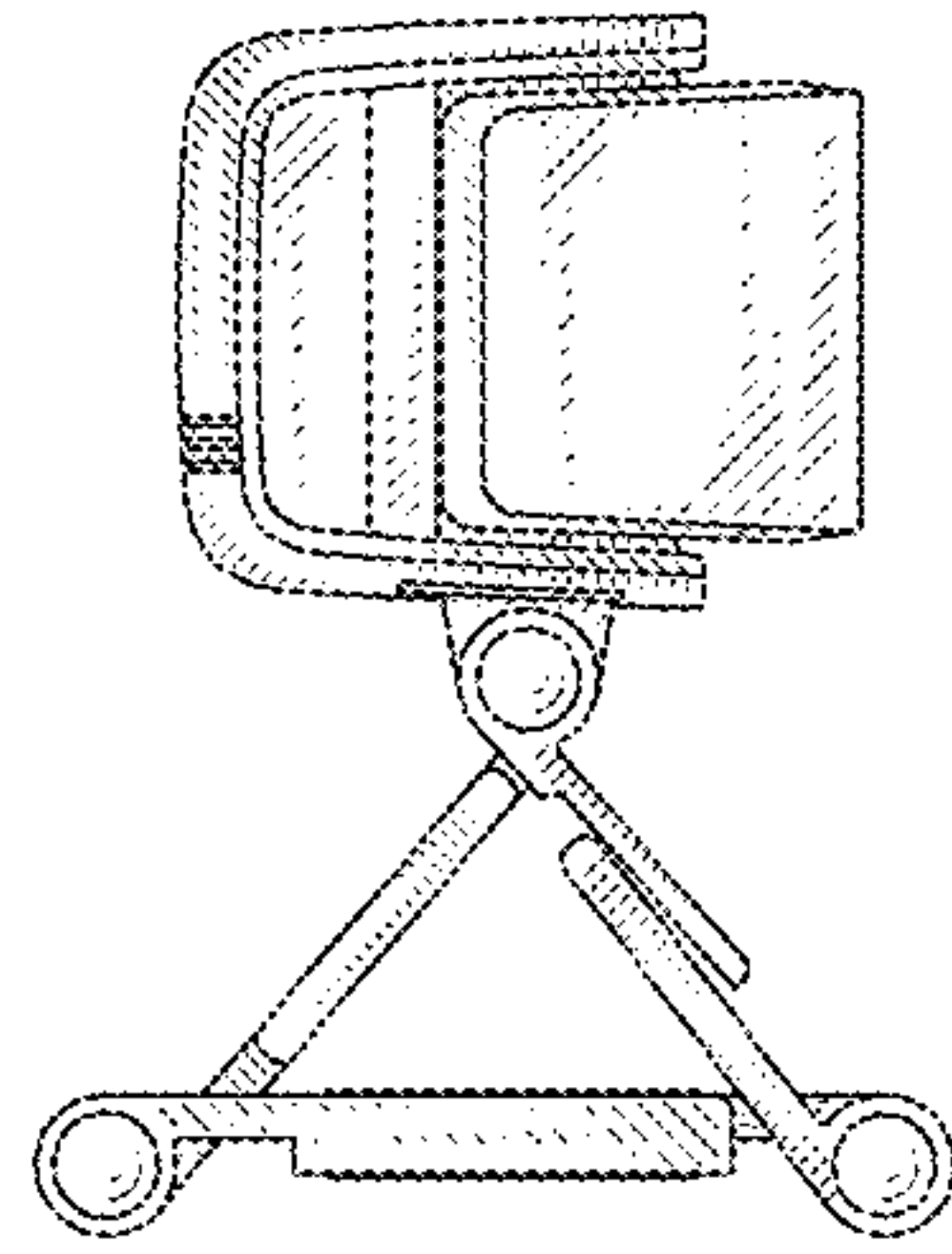


Fig. 4

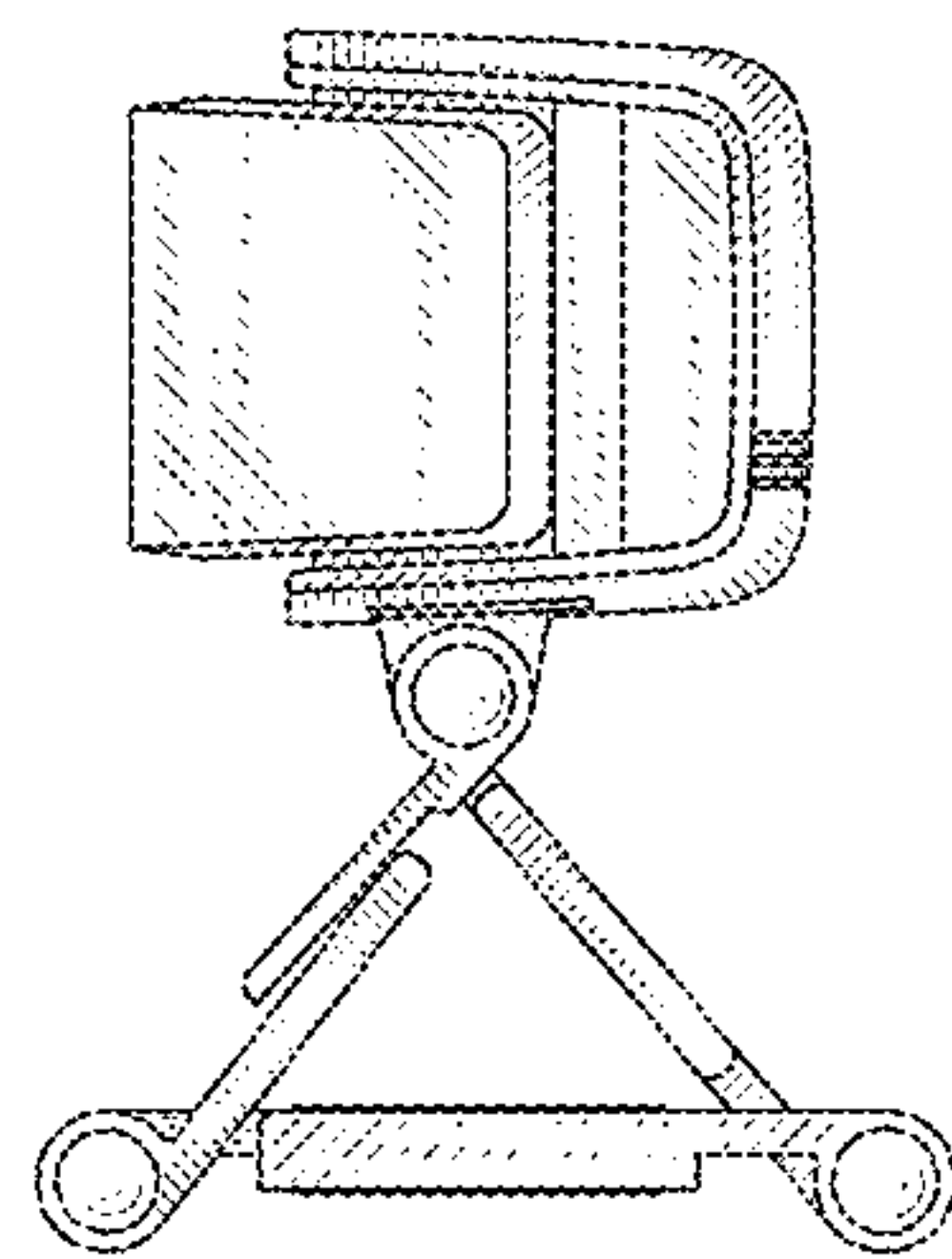


Fig. 5

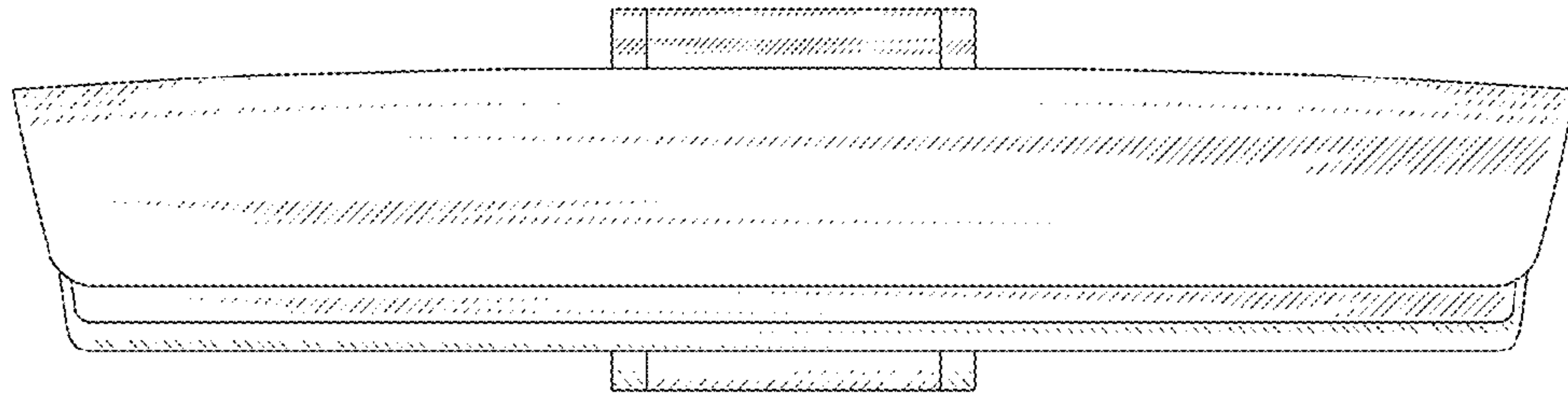


Fig. 6

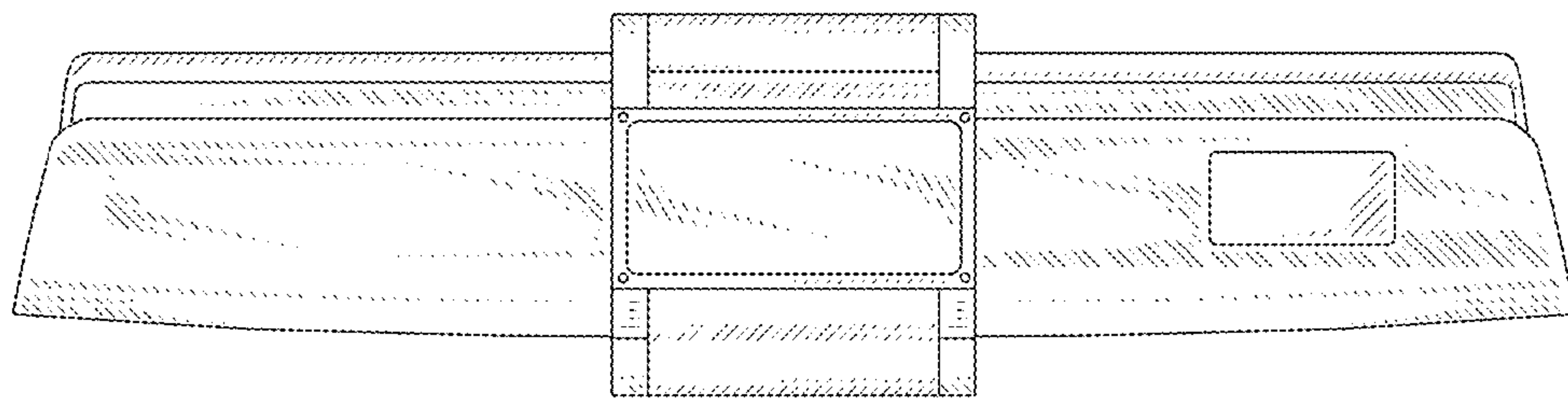


Fig. 7



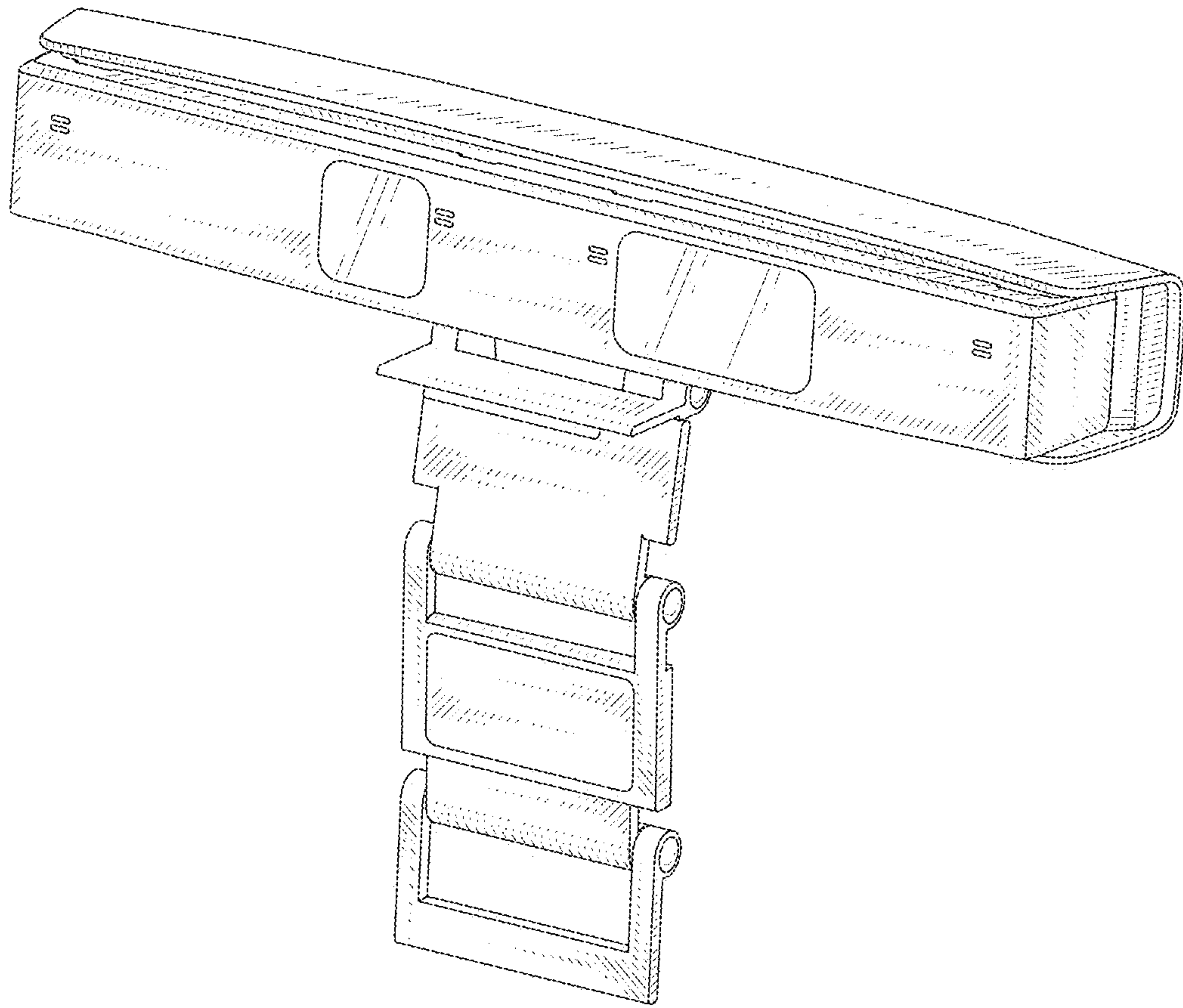


Fig. 8