



US00D685014S

(12) **United States Design Patent**
Mangold

(10) **Patent No.:** **US D685,014 S**
(45) **Date of Patent:** **** Jun. 25, 2013**

(54) **LINEAR DRIVE**

(71) Applicant: **Festo AG & Co. KG**, Esslingen (DE)

(72) Inventor: **Simone Mangold**, Esslingen (DE)

(73) Assignee: **Festo AG & Co. KG**, Esslingen (DE)

(**) Term: **14 Years**

(21) Appl. No.: **29/433,748**

(22) Filed: **Oct. 4, 2012**

(30) **Foreign Application Priority Data**

Apr. 5, 2012 (EM) 002020941-0002

(51) **LOC (9) Cl.** **15-09**

(52) **U.S. Cl.**
USPC **D15/143**

(58) **Field of Classification Search**
USPC D13/118; D15/1-5, 143, 148, 149,
D15/199; 74/89.15, 90.15, 490.09, 411.5;
297/14, 325, 327; 310/20, 20.8, 80
See application file for complete search history.

(56) **References Cited**

U.S. PATENT DOCUMENTS

D303,393 S * 9/1989 Stoll D15/7
D333,666 S * 3/1993 Kawashima et al. D15/142

D370,683 S * 6/1996 Stahlman et al. D15/7
D407,409 S * 3/1999 Masuda et al. D15/5
D413,129 S * 8/1999 Nagai et al.
D428,617 S * 7/2000 Hariwara D15/7
6,344,718 B1 * 2/2002 Nagai et al. 318/14
D456,826 S * 5/2002 Nagai et al. D15/143
D543,221 S * 5/2007 Nagai et al.
D587,733 S * 3/2009 Niedermeyer D15/143
D589,459 S * 3/2009 Iida D13/158
D596,653 S * 7/2009 Fukano et al.
D636,798 S * 4/2011 Fukano et al. D15/143
D636,799 S * 4/2011 Fukano et al. D15/143
D664,169 S * 7/2012 Shirai et al. D15/143

* cited by examiner

Primary Examiner — Patricia Palasik

(74) *Attorney, Agent, or Firm* — Hoffmann & Baron, LLP

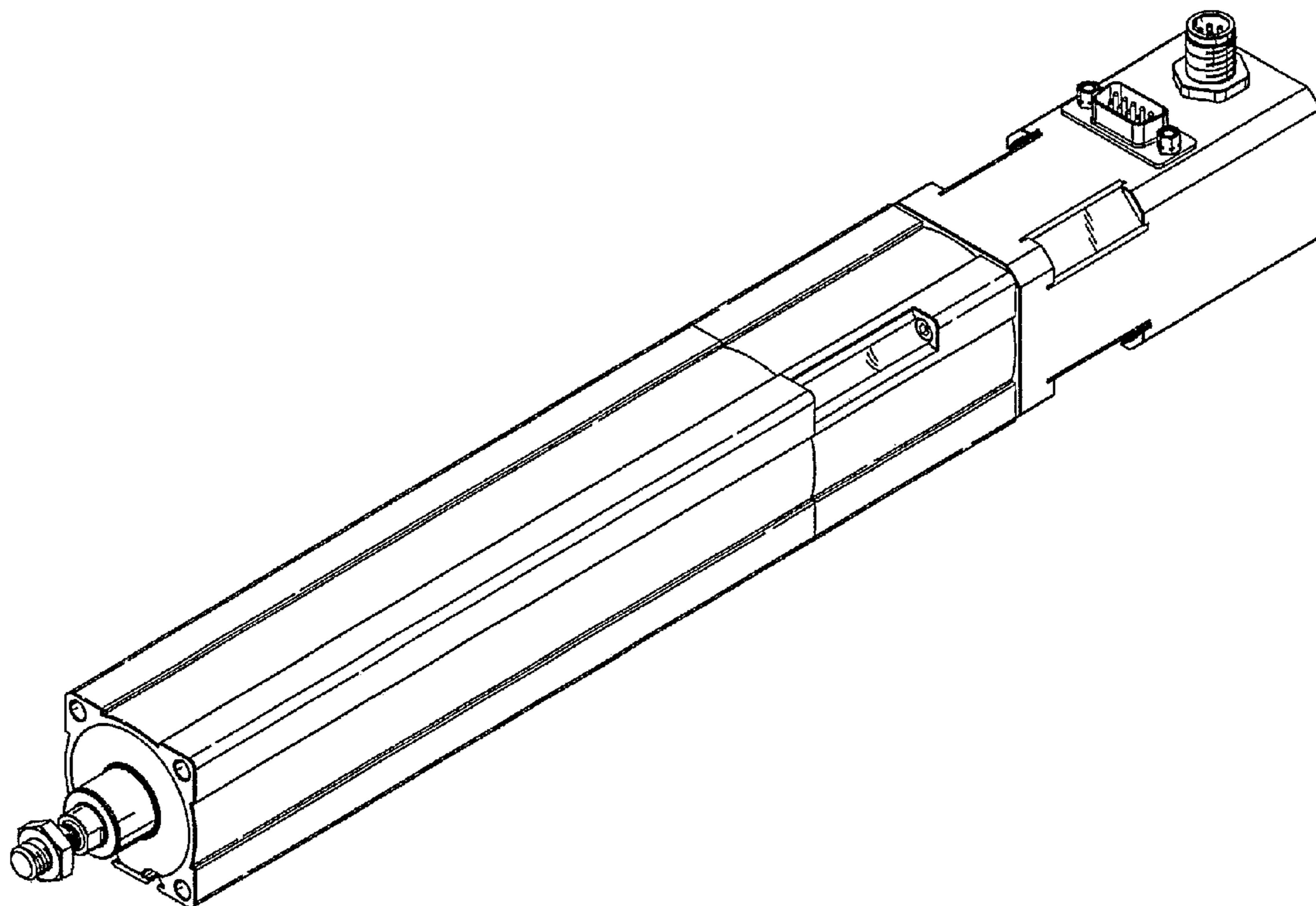
(57) **CLAIM**

The ornamental design for a linear drive, as shown and described.

DESCRIPTION

FIG. 1 is a top perspective view of a linear drive showing my new design;
FIG. 2 is a left side view thereof;
FIG. 3 is a right side view thereof;
FIG. 4 is a front view thereof;
FIG. 5 is a rear view thereof;
FIG. 6 is a top plan view thereof; and,
FIG. 7 is a bottom plan view thereof.

1 Claim, 7 Drawing Sheets



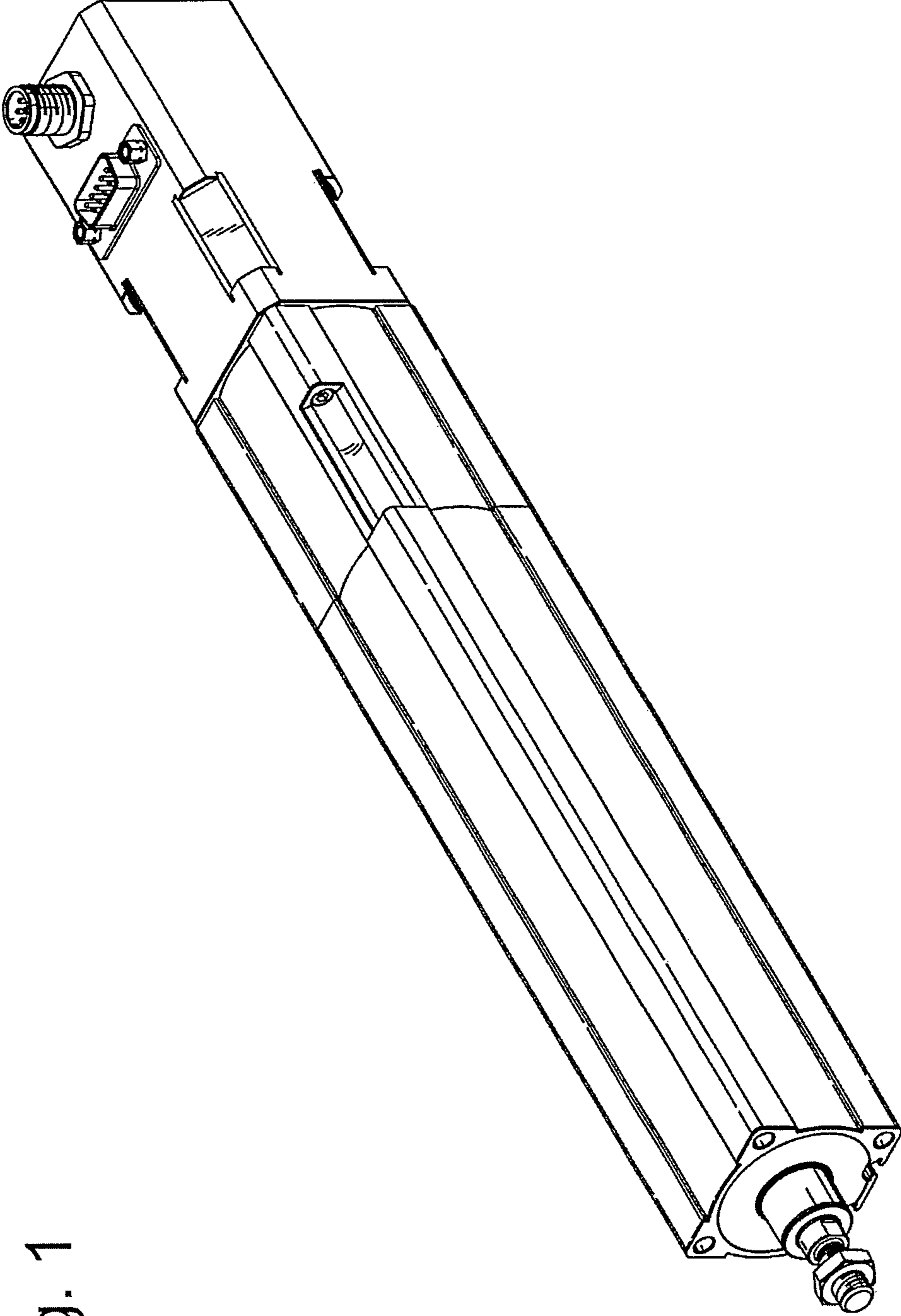


Fig. 1

Fig. 2

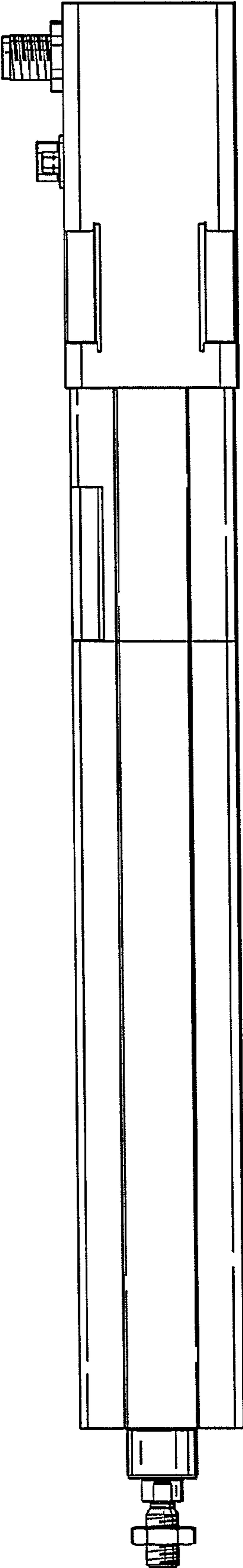


Fig. 3

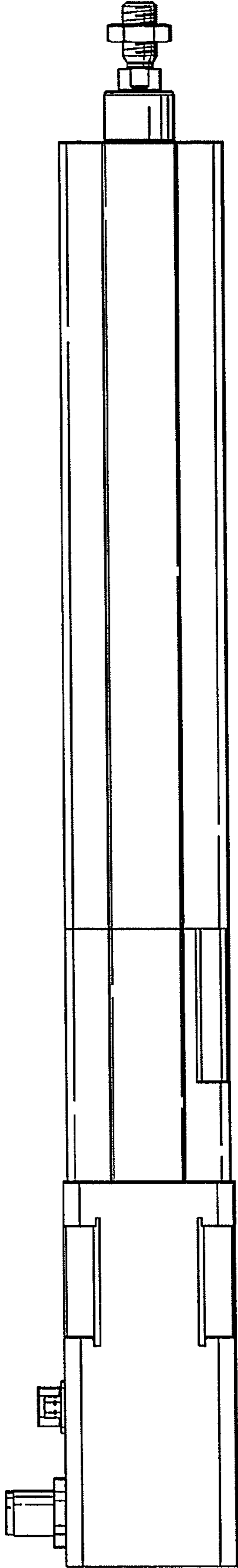


Fig. 4

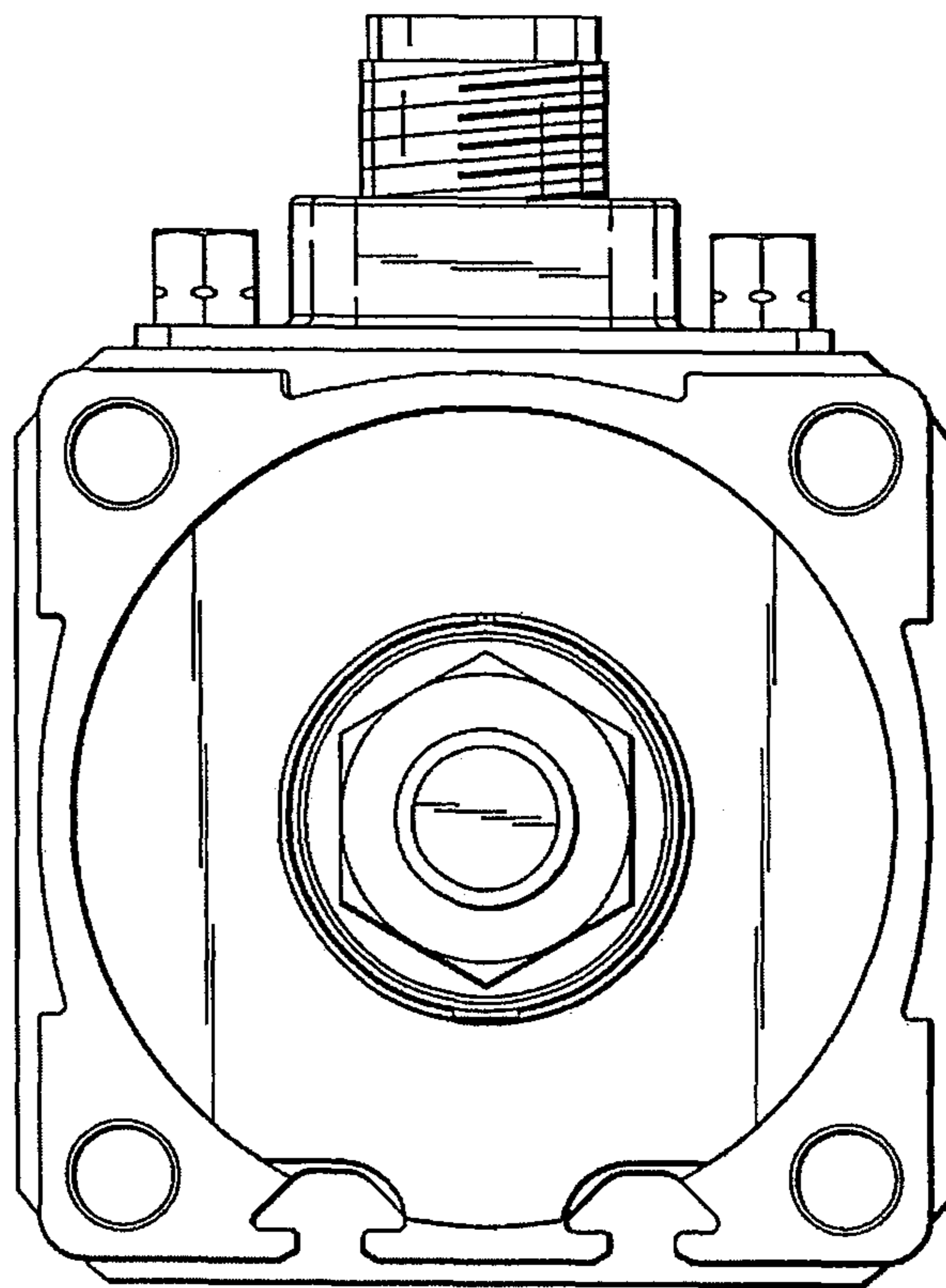
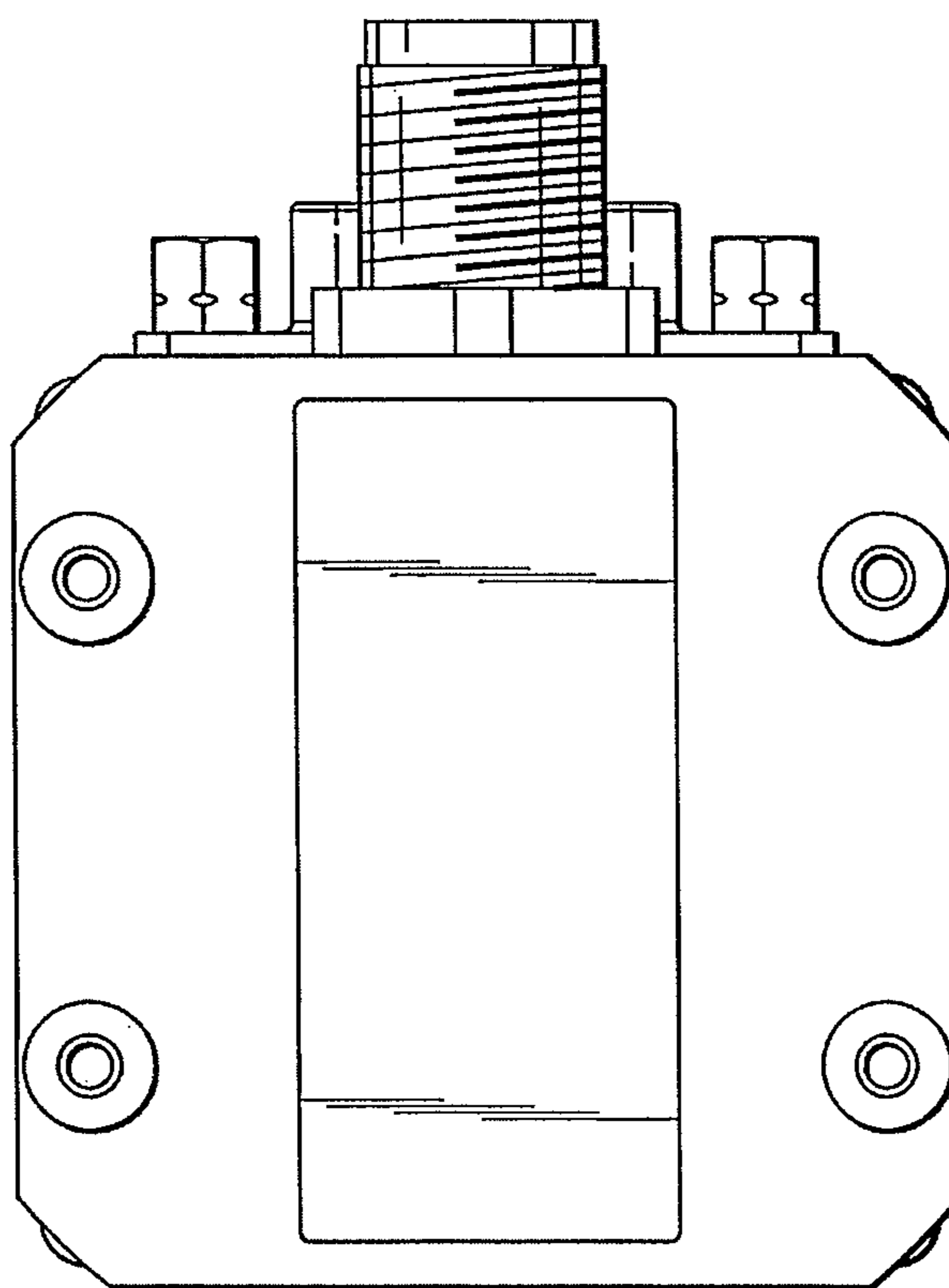


Fig. 5



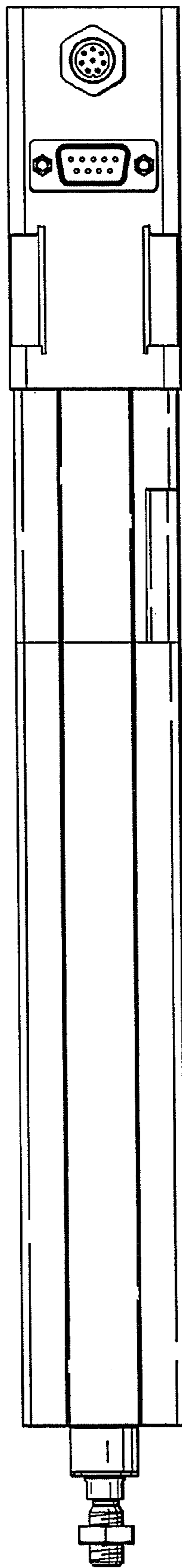


Fig. 6

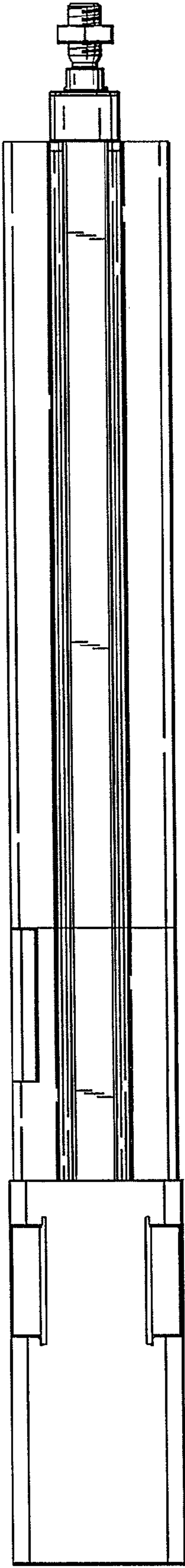


Fig. 7