



US00D685009S

(12) **United States Design Patent**
Saito et al.

(10) **Patent No.:** **US D685,009 S**
(45) **Date of Patent:** **** Jun. 25, 2013**

(54) **PORTION OF A HYDRAULIC EXCAVATOR**

(71) Applicant: **Hitachi Construction Machinery Co., Ltd.**, Tokyo (JP)

(72) Inventors: **Akira Saito**, Kodaira (JP); **Kazuhiko Hiraoka**, Kodaira (JP); **Shigehisa Hagura**, Akishima (JP); **Tomoyuki Miyata**, Kodaira (JP); **Teruo Irino**, Konan (JP); **Katsuhiro Sasaki**, Koka (JP); **Kohei Urase**, Konan (JP); **Yuuki Umizaki**, Koka (JP)

(73) Assignee: **Hitachi Construction Machinery Co., Ltd.**, Tokyo (JP)

(**) Term: **14 Years**

(21) Appl. No.: **29/436,731**

(22) Filed: **Nov. 8, 2012**

(30) **Foreign Application Priority Data**

May 10, 2012 (JP) 2012-010827

(51) **LOC (9) Cl.** **15-03**

(52) **U.S. Cl.**
USPC **D15/28**

(58) **Field of Classification Search**
USPC D15/22-26, 28, 17; 180/89.1, 89.12, 180/235, 900; 414/694, 699, 722-724; 280/400
See application file for complete search history.

(56) **References Cited**

U.S. PATENT DOCUMENTS

D354,497 S * 1/1995 Kusunoki et al. D15/25
6,206,122 B1 * 3/2001 Boothman et al. 180/89.17
D460,974 S * 7/2002 Murakami et al. D15/25

D506,211 S * 6/2005 Kuwae et al. D15/33
D510,366 S * 10/2005 Kuwae et al. D15/28
D528,568 S * 9/2006 Kuwae et al. D15/28
D576,182 S * 9/2008 Murakami et al. D15/28
D582,946 S * 12/2008 Ochi et al. D15/28
D629,818 S * 12/2010 Rummer et al. D15/31
D635,592 S * 4/2011 Shimomura et al. D15/28

FOREIGN PATENT DOCUMENTS

JP D 1118745 S 8/2001
JP D 1199256 S 3/2004

OTHER PUBLICATIONS

Co-pending U.S. Appl. No. 29/436,726, Hagura et al., filed Nov. 8, 2012.

* cited by examiner

Primary Examiner — Mark Goodwin

(74) *Attorney, Agent, or Firm* — Antonelli, Terry, Stout & Kraus, LLP.

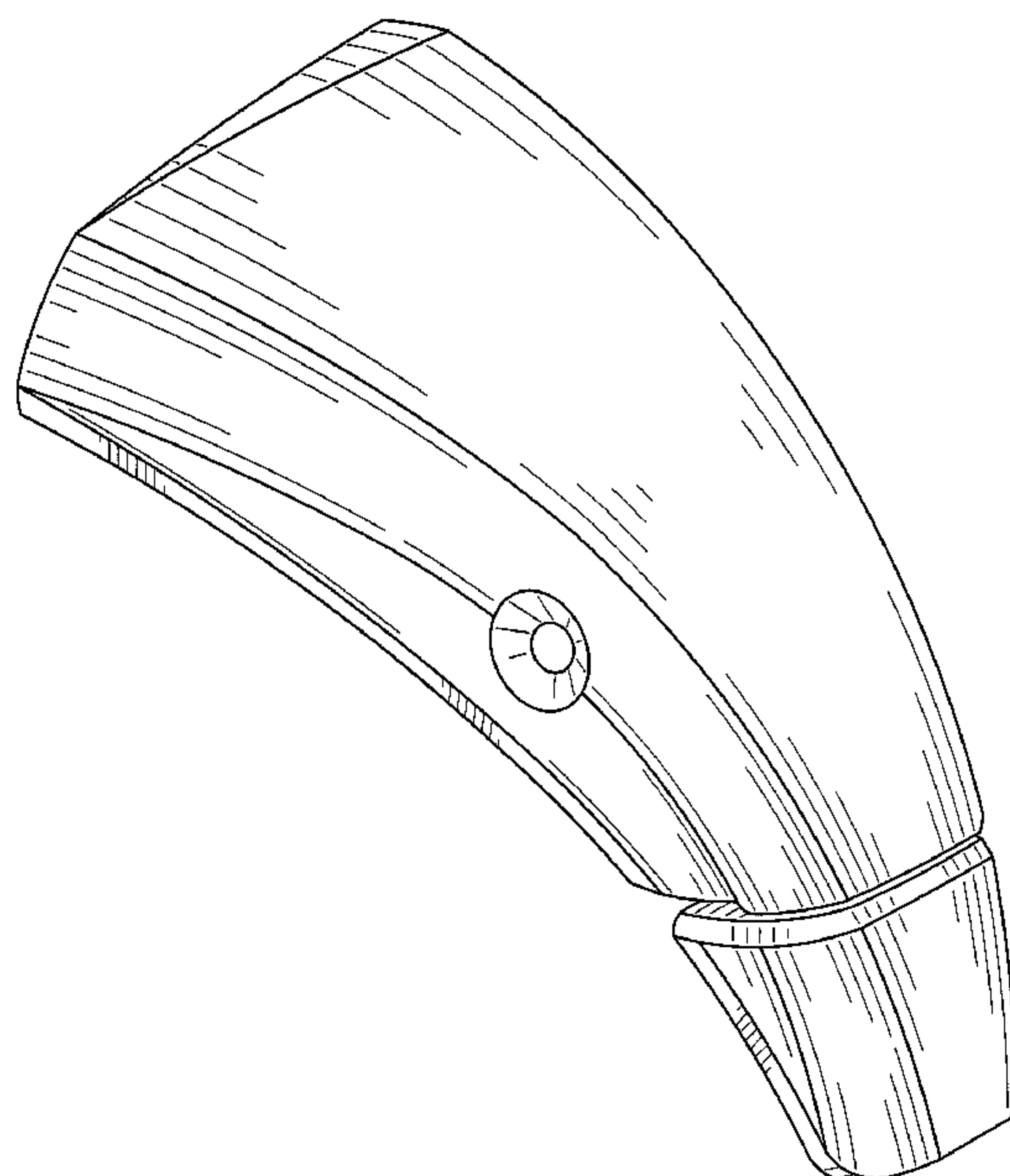
(57) **CLAIM**

We claim the ornamental design for a portion of a hydraulic excavator, as shown and described.

DESCRIPTION

FIG. 1 is a partially enlarged perspective view of a portion of a hydraulic excavator showing our new design;
FIG. 2 is a rear elevational view showing by solid lines the portion of a hydraulic excavator;
FIG. 3 is a left side elevational view thereof;
FIG. 4 is a right side elevational view thereof;
FIG. 5 is a top plan view thereof;
FIG. 6 is a bottom plan view thereof; and,
FIG. 7 is a front elevational view thereof.
The broken lines shown are for illustrative purpose and form no part of the claimed design.

1 Claim, 5 Drawing Sheets



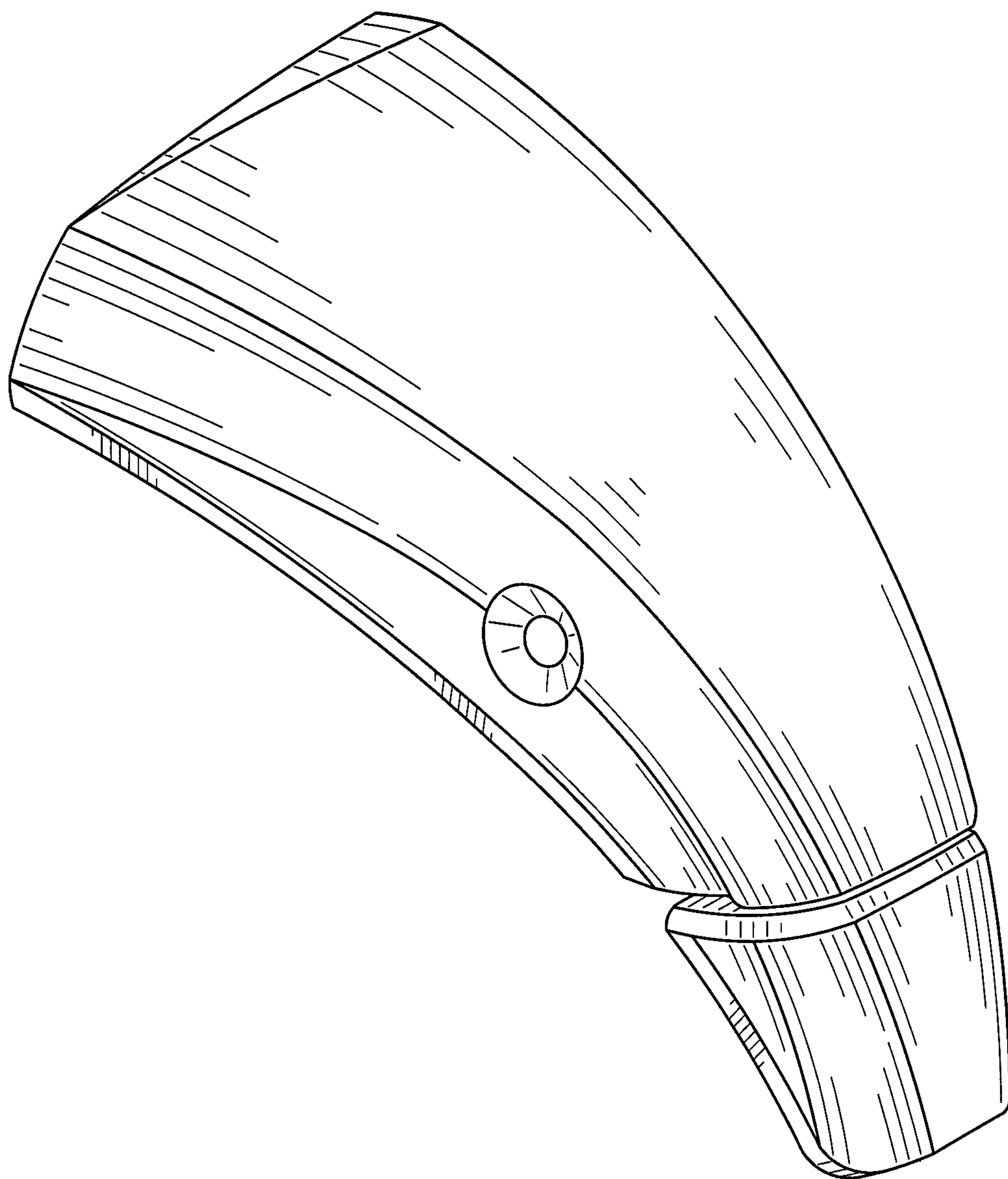


FIG. 1

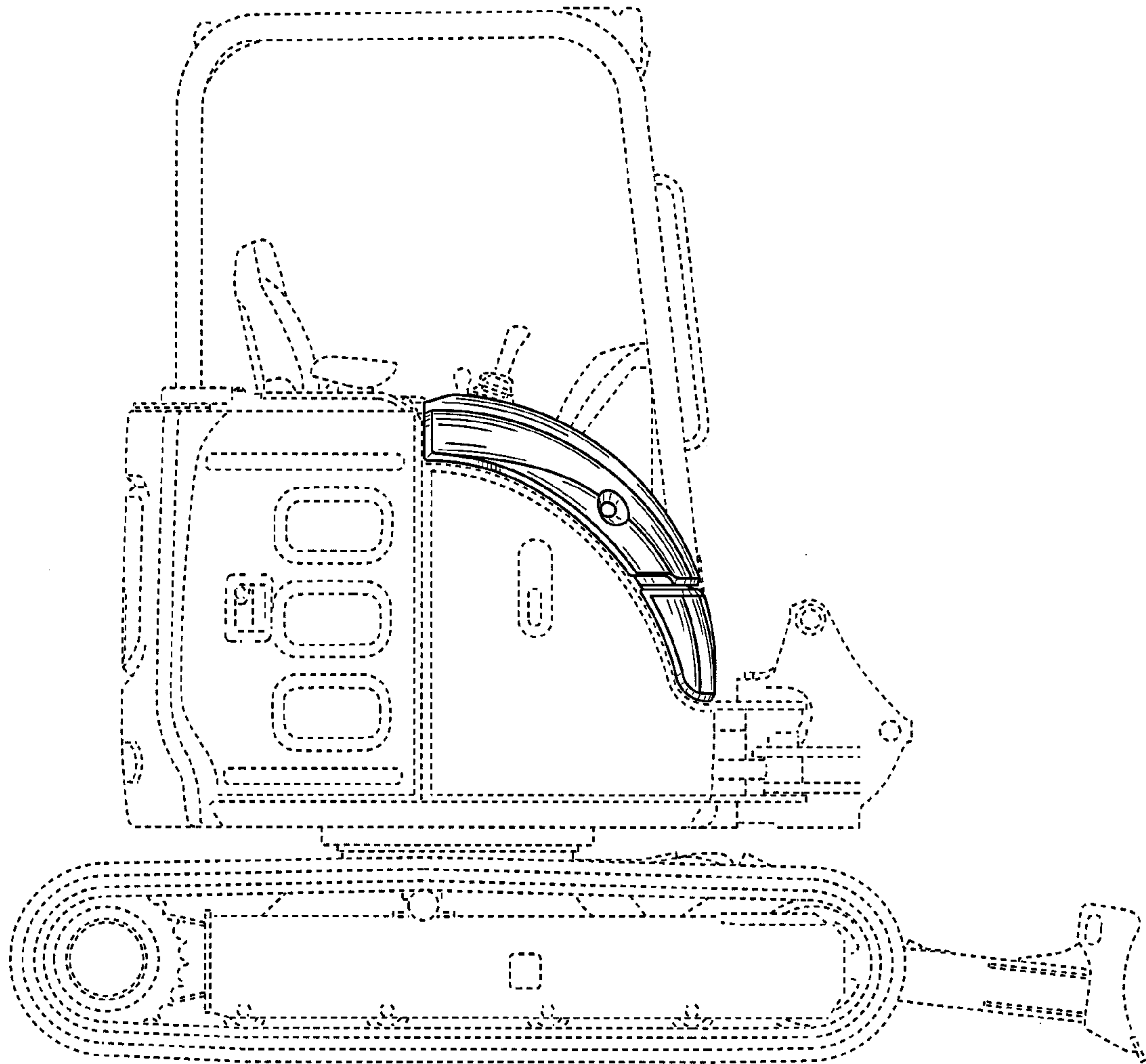


FIG. 2

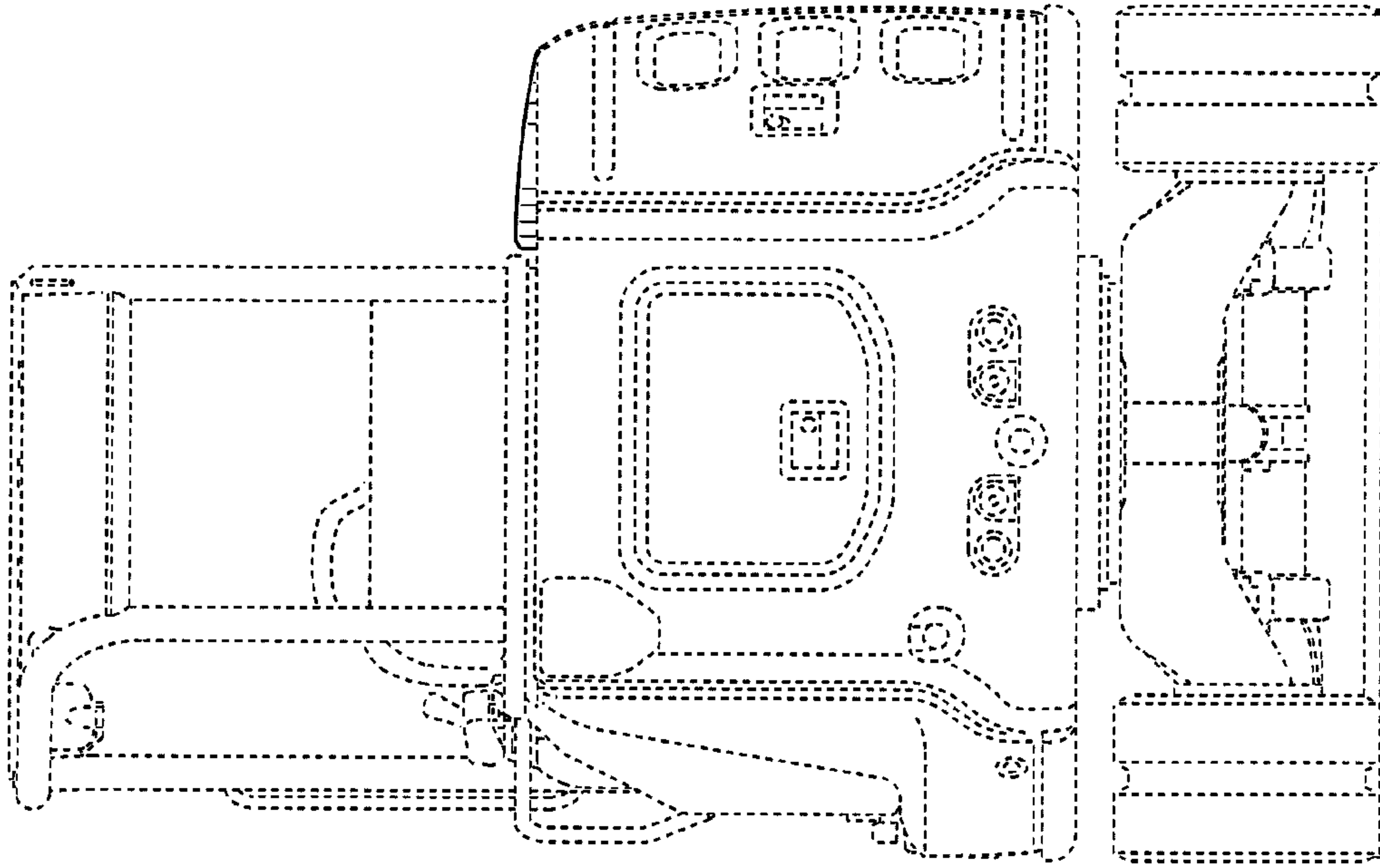


FIG. 3

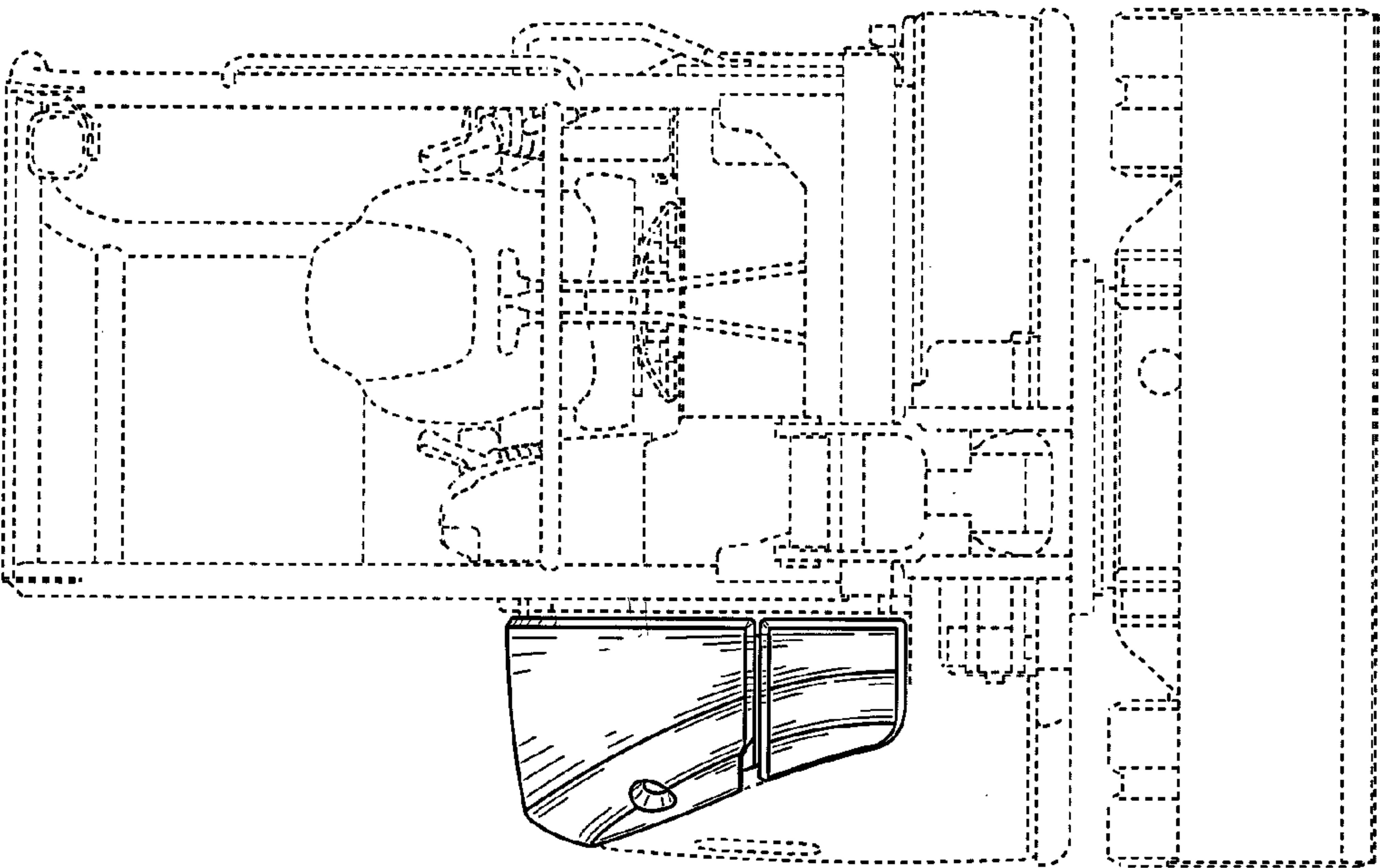


FIG. 4

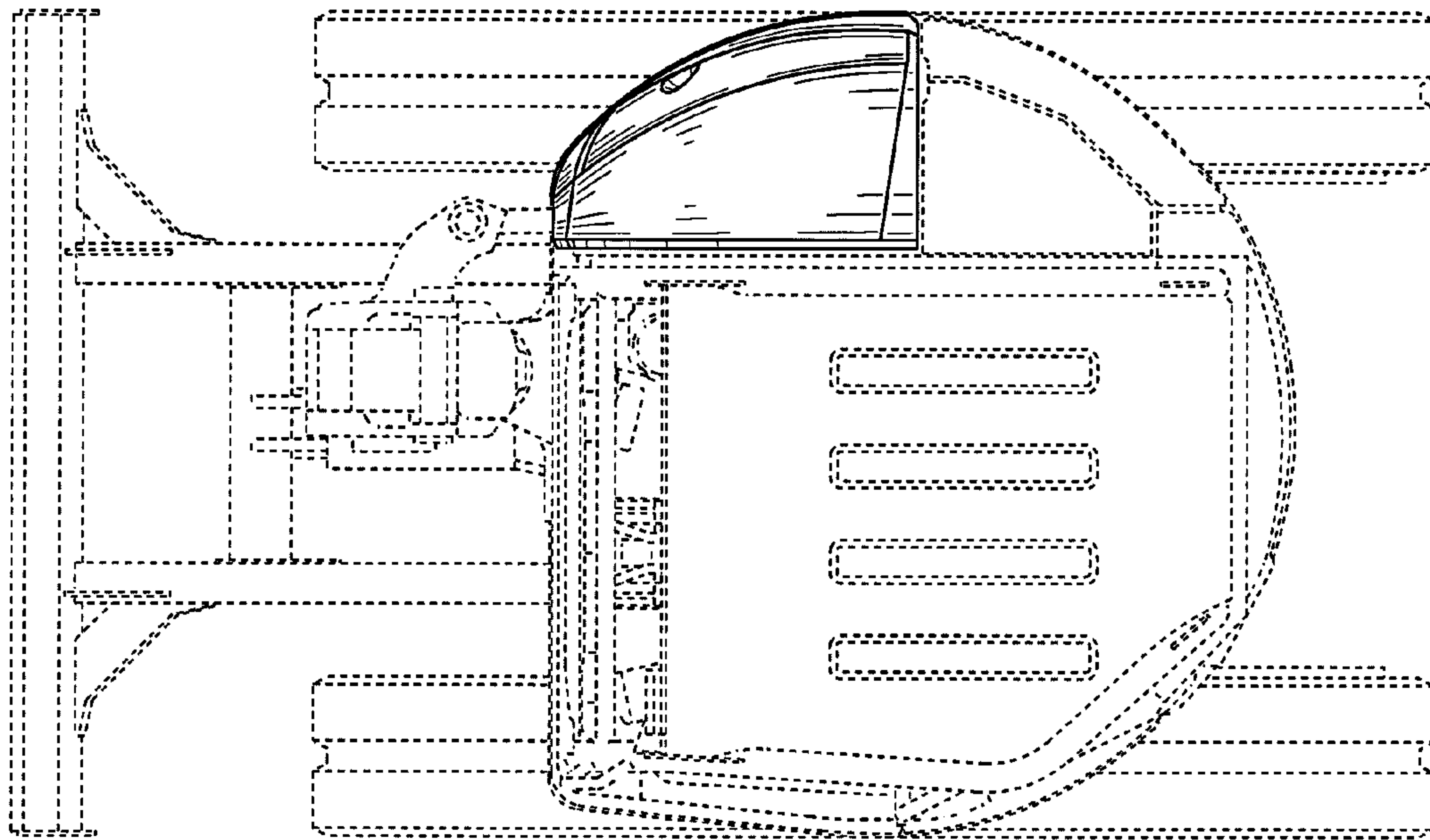


FIG. 5

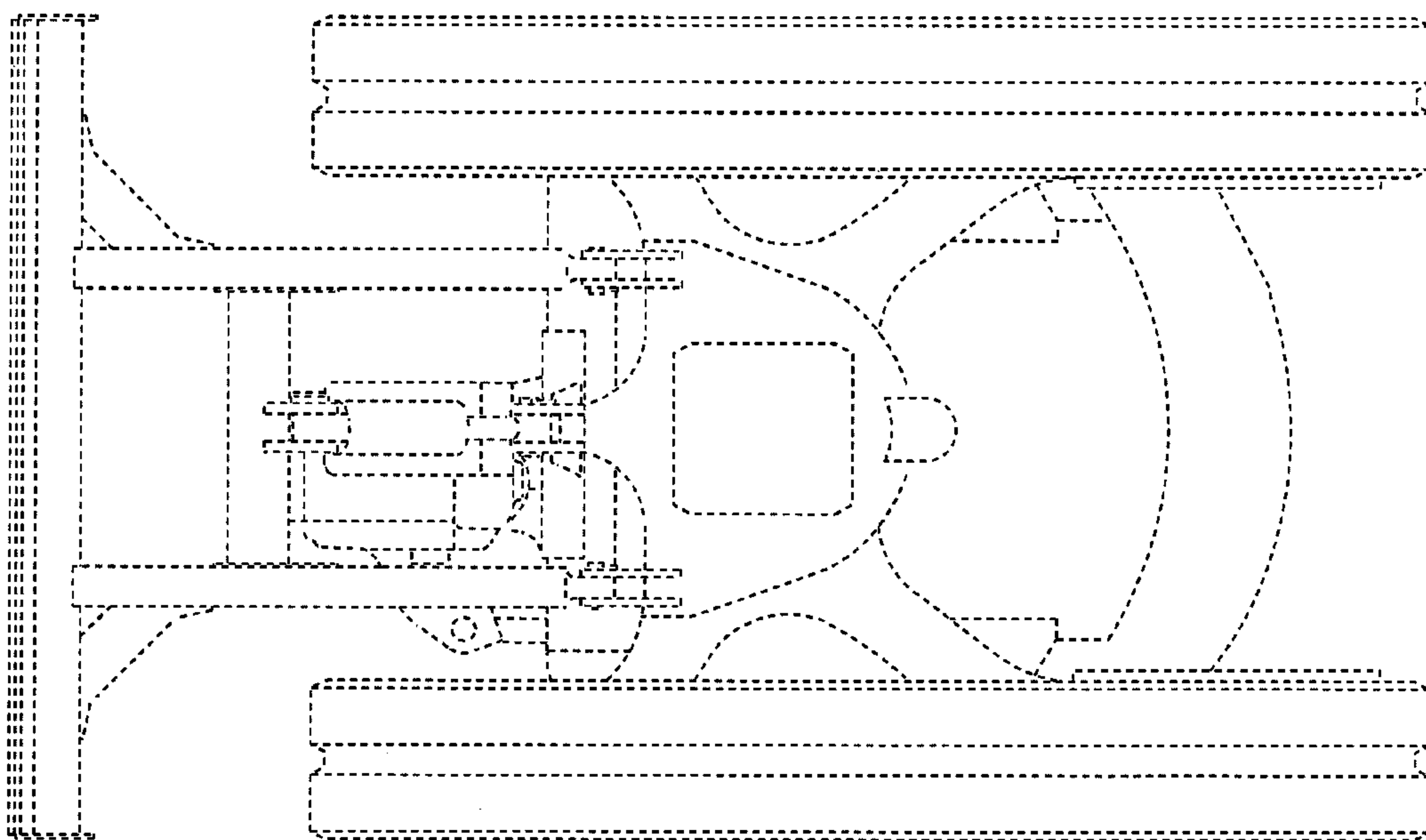


FIG. 6

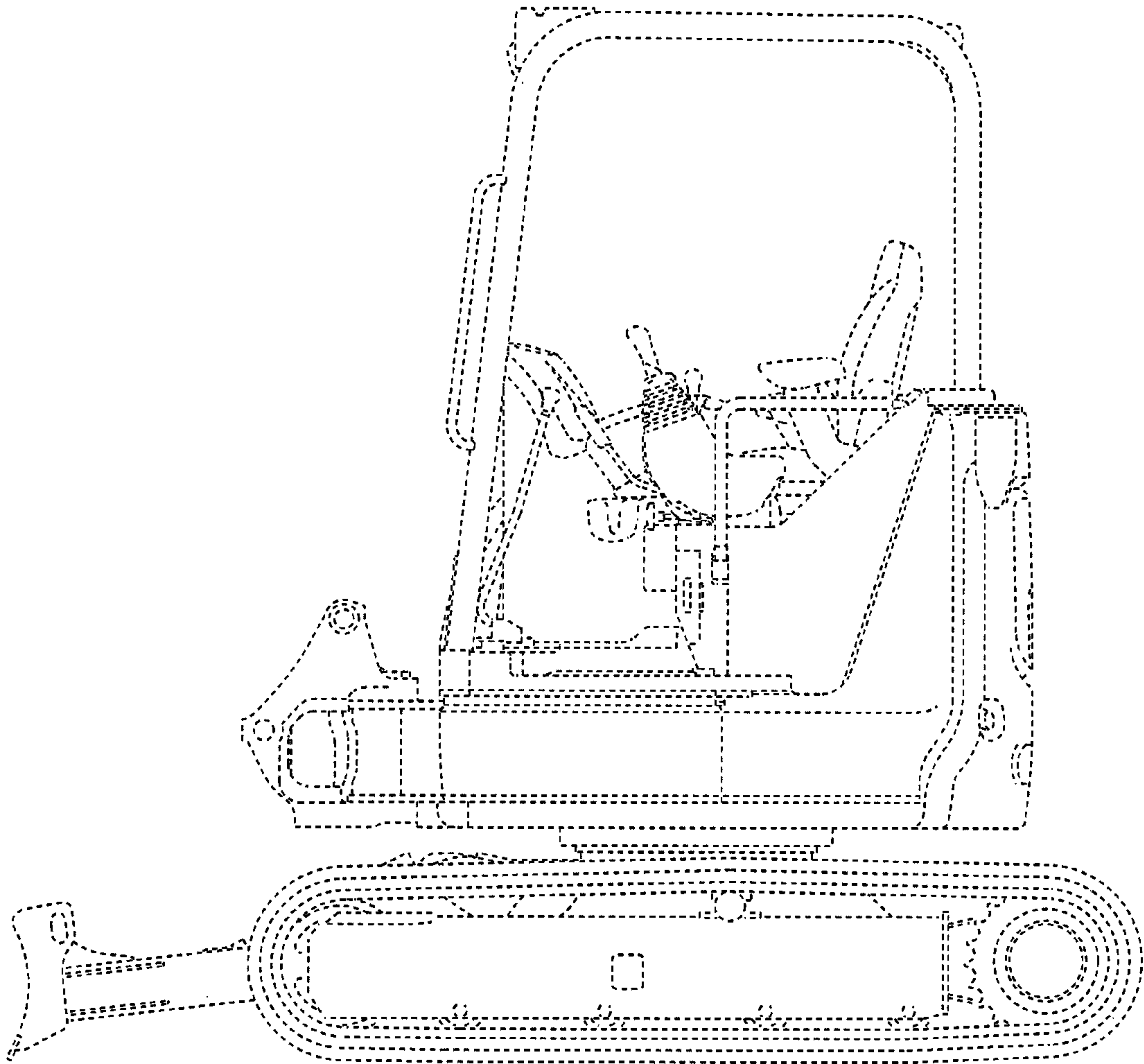


FIG. 7