



US00D685006S

(12) **United States Design Patent**  
**Hagura et al.**

(10) **Patent No.:** **US D685,006 S**  
(45) **Date of Patent:** **\*\* Jun. 25, 2013**

(54) **COVER FOR OPERATOR CAB INTERIOR FOR CONSTRUCTION MACHINE WITH CONSOLE BOX**

(71) Applicant: **Hitachi Construction Machinery Co., Ltd., Tokyo (JP)**

(72) Inventors: **Shigehisa Hagura, Akishima (JP); Tomoyuki Miyata, Kodaira (JP); Shogo Kimura, Ritto (JP); Tomoyuki Tanaka, Yasu (JP); Hiroshi Tabeta, Konan (JP); Yasuo Ooshima, Sakai (JP)**

(73) Assignee: **Hitachi Construction Machinery Co., Ltd., Tokyo (JP)**

(\*\*) Term: **14 Years**

(21) Appl. No.: **29/436,668**

(22) Filed: **Nov. 8, 2012**

(30) **Foreign Application Priority Data**

May 10, 2012 (JP) ..... 2012-010812

(51) **LOC (9) Cl.** ..... **15-03**

(52) **U.S. Cl.**  
USPC ..... **D15/28; D15/17**

(58) **Field of Classification Search**  
USPC ..... D15/17, 22-26, 28, 31, 33; D12/192, D12/419, 421; 180/69.2, 69.21, 69.24, 90; 296/70, 30, 72, 191, 192, 193.03

See application file for complete search history.

(56) **References Cited**

U.S. PATENT DOCUMENTS

D308,131	S	*	5/1990	Marcantonio	.....	D12/419
D313,962	S	*	1/1991	Haag et al.	.....	D12/423
D365,574	S	*	12/1995	Westimayer et al.	.....	D15/17
D427,613	S	*	7/2000	Altmann et al.	.....	D15/28
D428,022	S	*	7/2000	Altmann et al.	.....	D15/28
D432,076	S	*	10/2000	Stickles et al.	.....	D12/419
D441,769	S	*	5/2001	SurrIDGE	.....	D15/17
D521,413	S	*	5/2006	Katoh	.....	D12/1
D593,134	S	*	5/2009	Kuwae et al.	.....	D15/28
D636,410	S	*	4/2011	Ono et al.	.....	D15/28
D636,794	S	*	4/2011	Ono et al.	.....	D15/28
D640,293	S	*	6/2011	Ono et al.	.....	D15/28

\* cited by examiner

*Primary Examiner* — Mark Goodwin

(74) *Attorney, Agent, or Firm* — Antonelli, Terry, Stout, & Kraus, LLP.

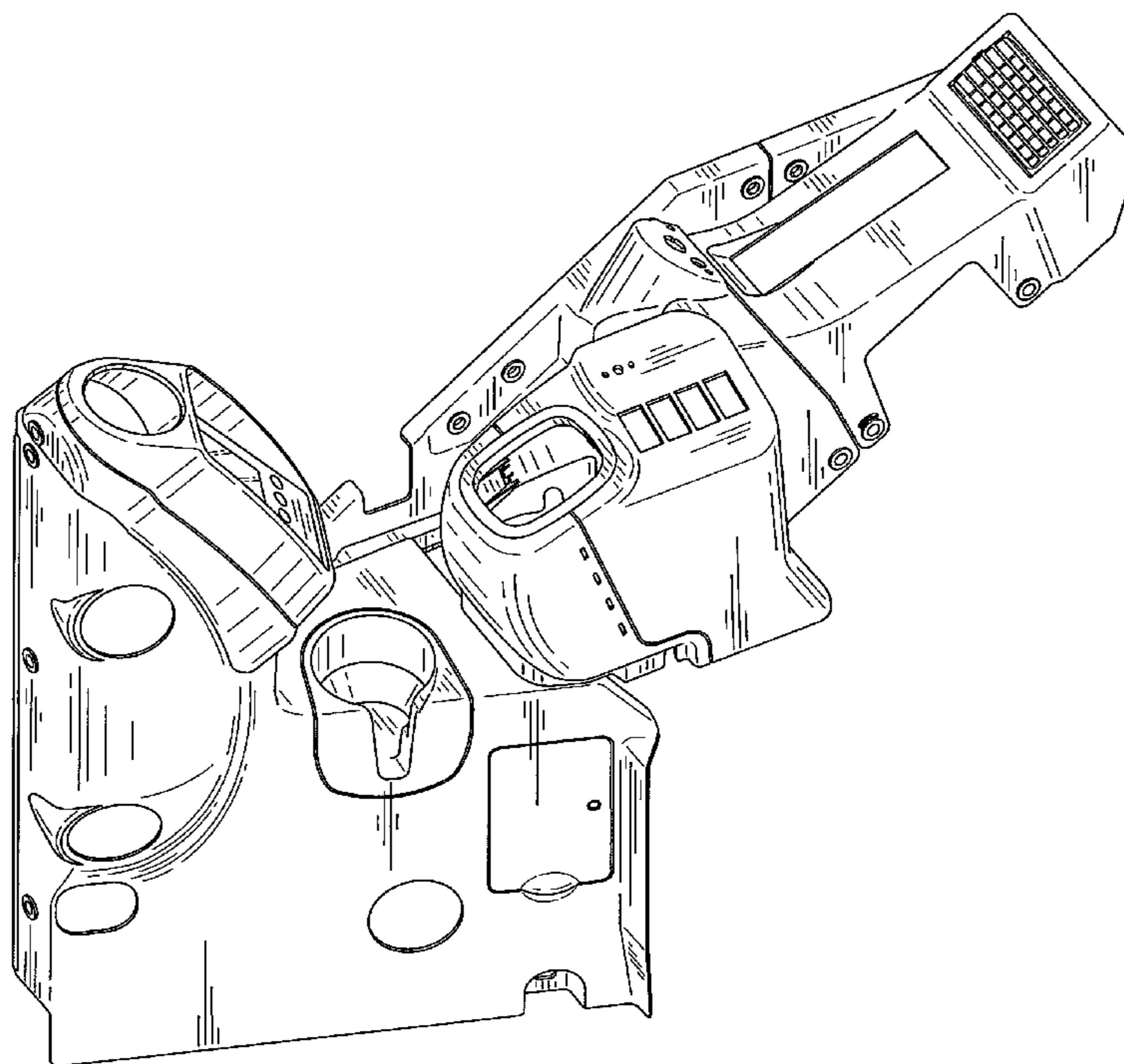
(57) **CLAIM**

We claim the ornamental design for a cover for operator cab interior for construction machine with console box, as shown.

**DESCRIPTION**

FIG. 1 is a front, top and left side perspective view of a cover for operator cab interior for construction machine with console box showing our new design;  
FIG. 2 is a front elevational view thereof;  
FIG. 3 is a rear elevational view thereof;  
FIG. 4 is a left side elevational view thereof;  
FIG. 5 is a right side elevational view thereof;  
FIG. 6 is a top plan view thereof; and,  
FIG. 7 is a bottom plan view thereof.

**1 Claim, 5 Drawing Sheets**



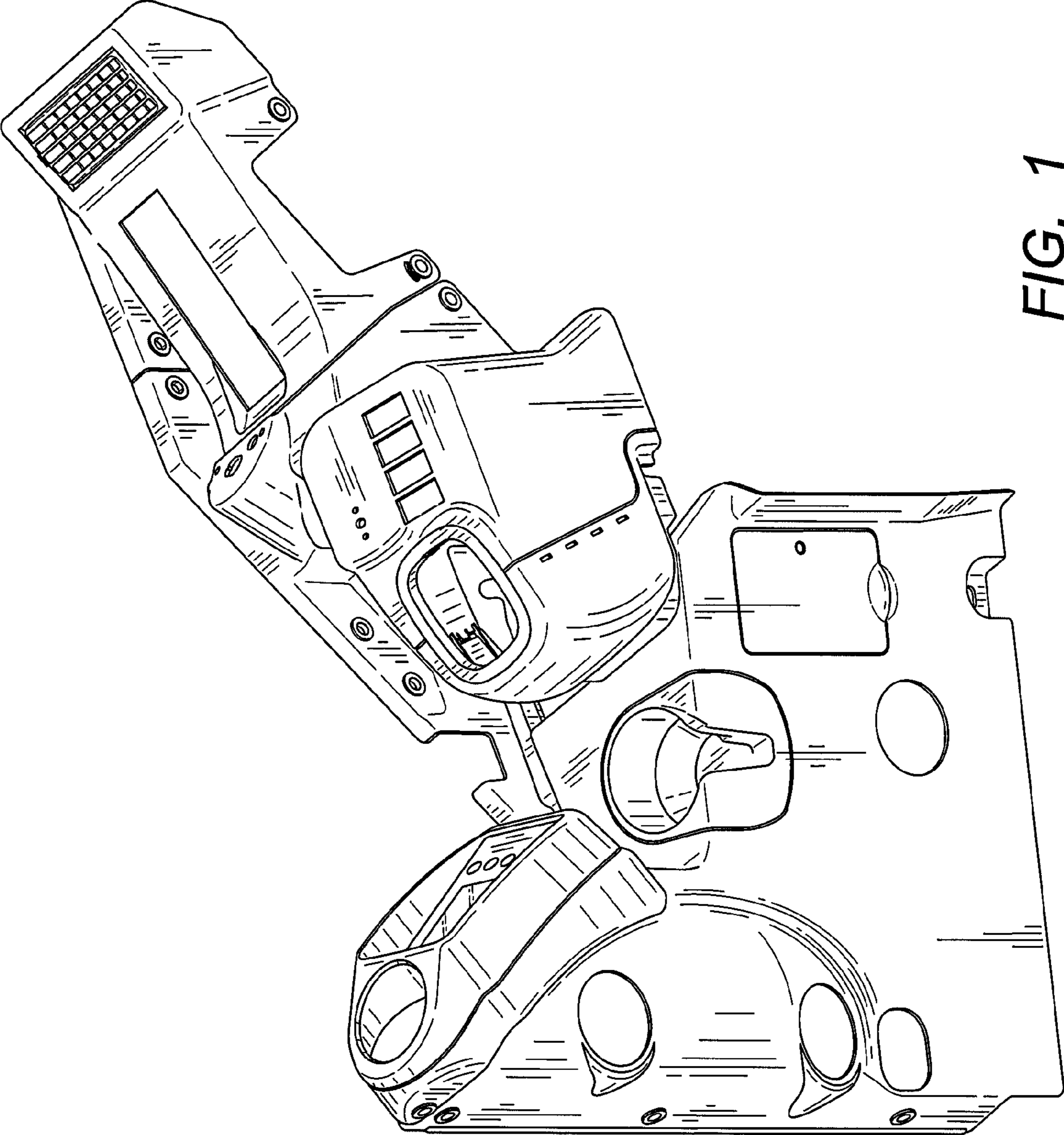


FIG. 1

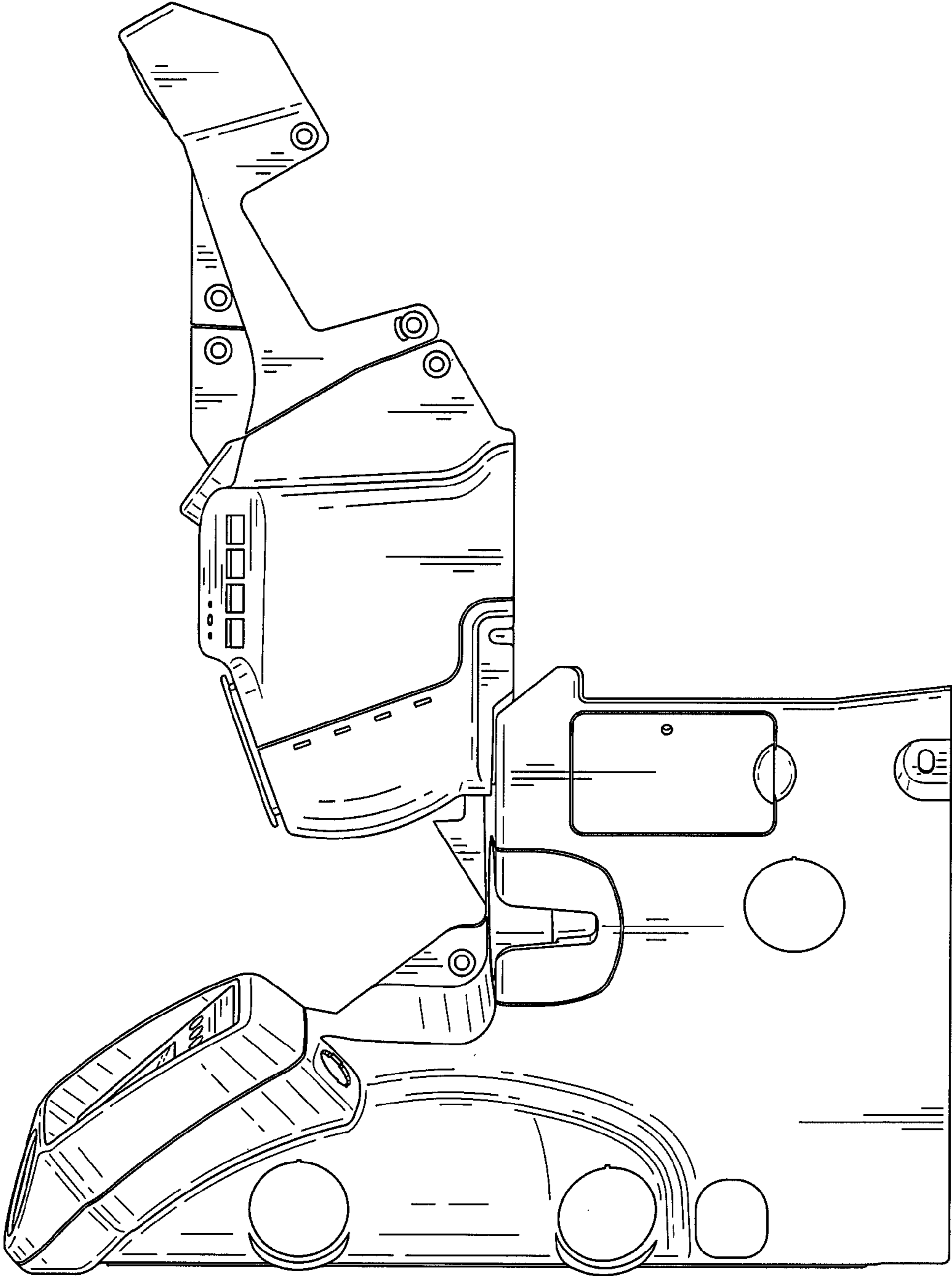


FIG. 2

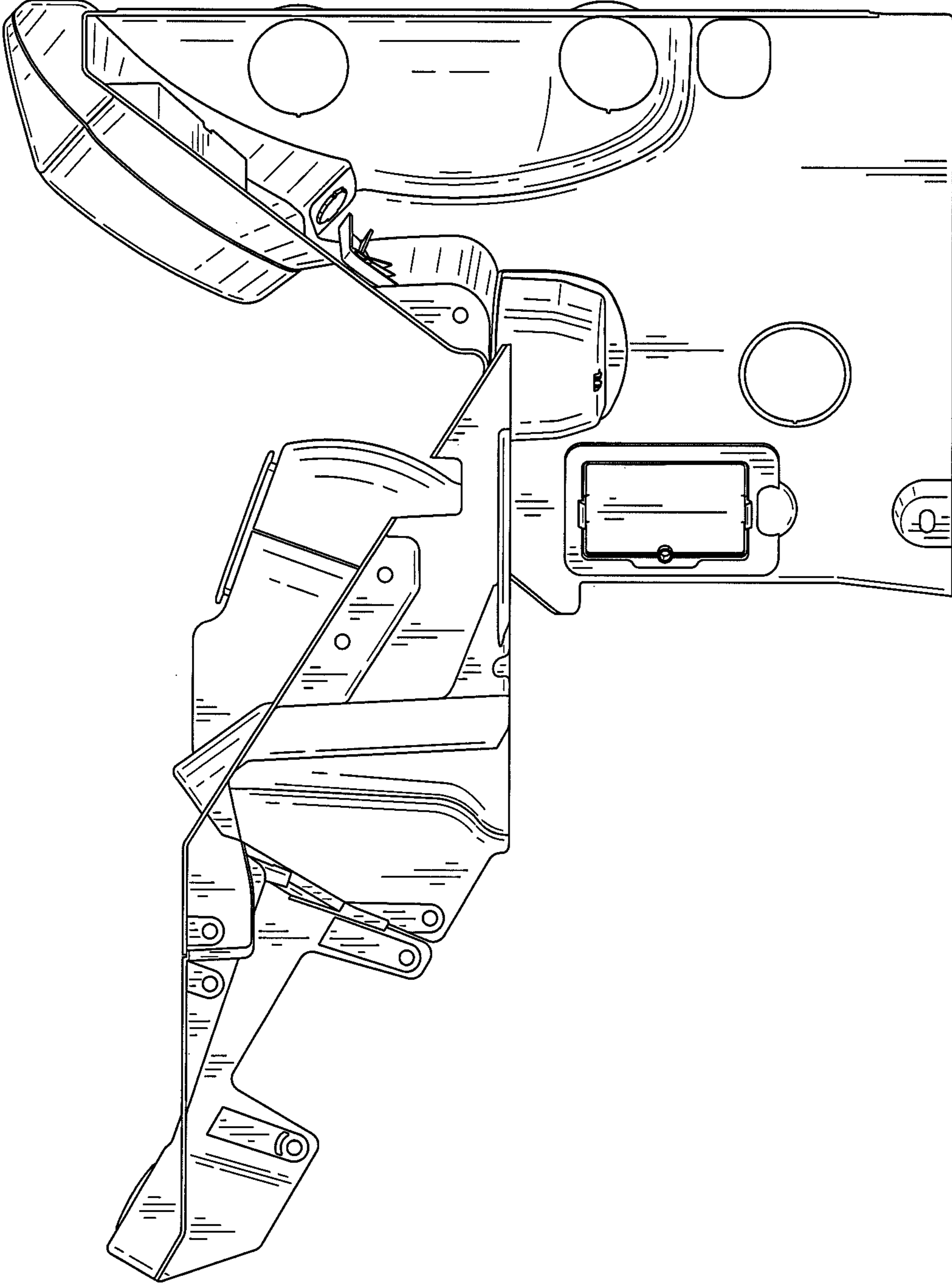


FIG. 3

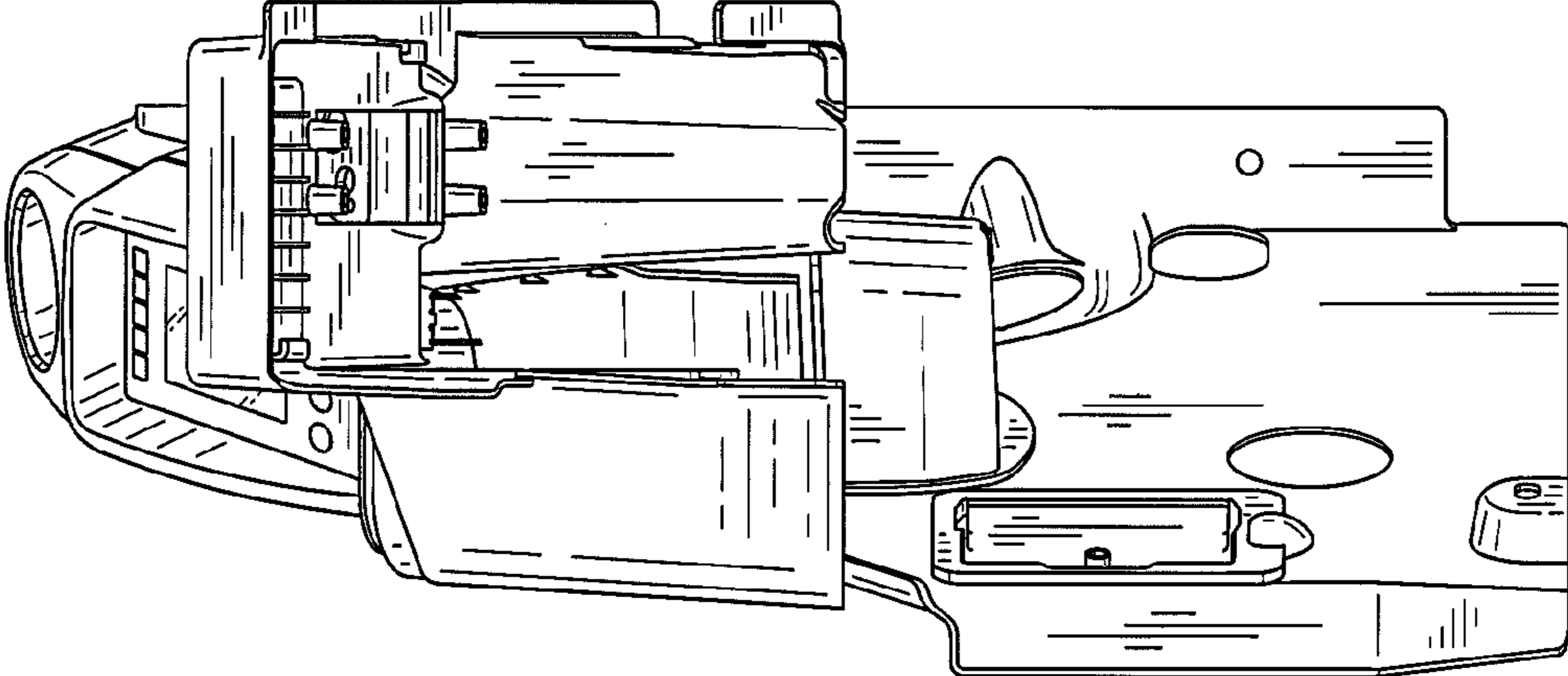


FIG. 5

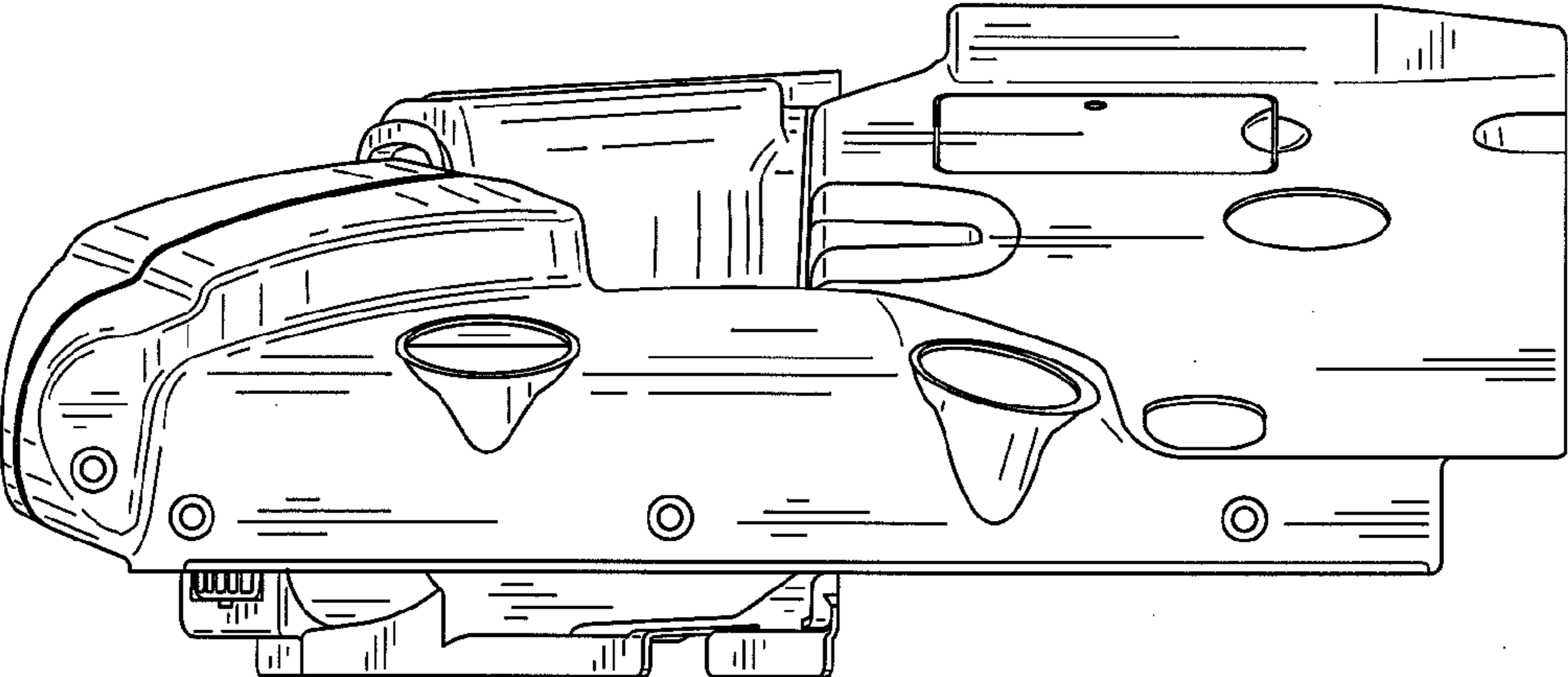


FIG. 4

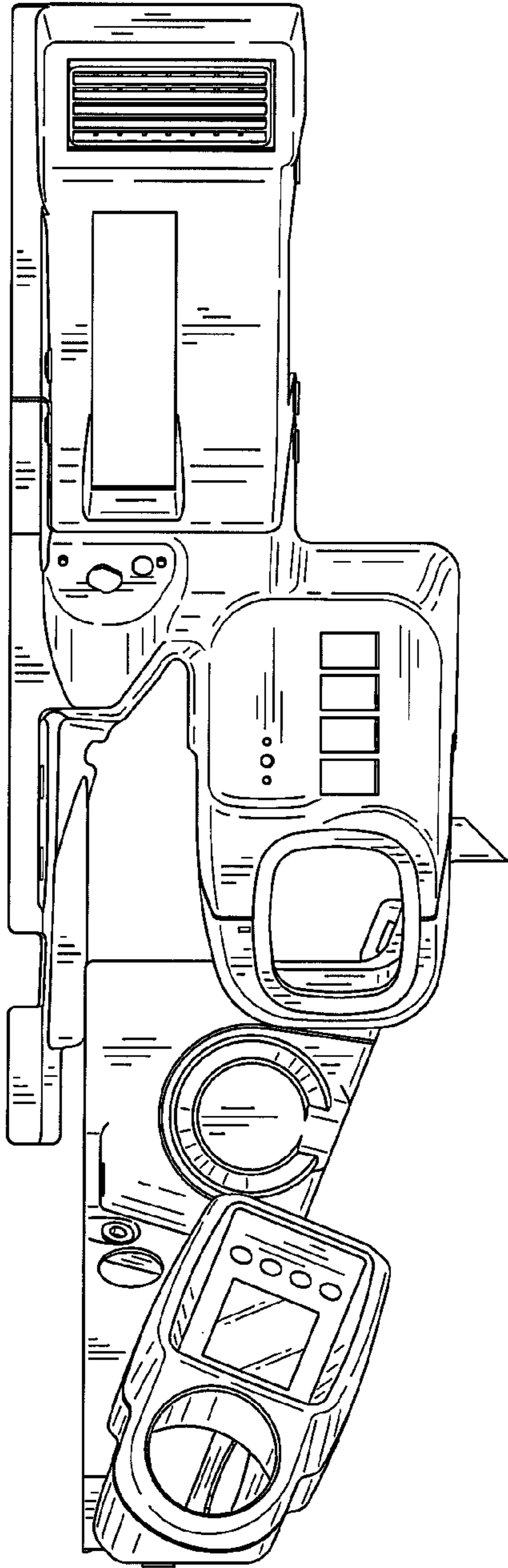


FIG. 6

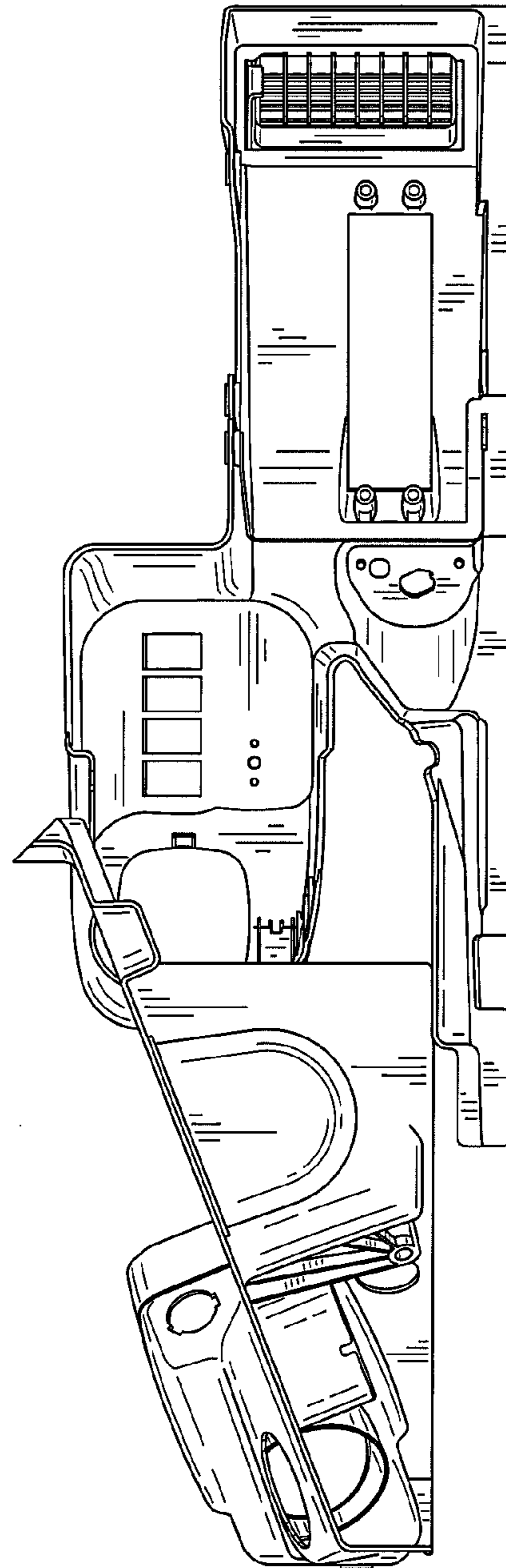


FIG. 7