



US00D685005S

(12) **United States Design Patent**
Dwyer et al.

(10) **Patent No.:** **US D685,005 S**
(45) **Date of Patent:** **** Jun. 25, 2013**

- (54) **RIDING LAWN CARE VEHICLE EXHAUST SYSTEM**
- (71) Applicant: **Husqvarna Consumer Outdoor Products N.A., Inc.**, Charlotte, NC (US)
- (72) Inventors: **Sean Dwyer**, Gastonia, NC (US); **Jerry A. Sandy**, Fort Mill, SC (US); **Steve Brinkman**, Martinez, GA (US); **Grayson Foley**, Charlotte, NC (US)
- (73) Assignee: **Husqvarna Consumer Outdoor Products N.A., Inc.**, Charlotte, NC (US)
- (**) Term: **14 Years**

D345,167 S *	3/1994	Lee	D15/17
D363,908 S *	11/1995	Maag	D12/194
D365,573 S *	12/1995	Westimayer et al.	D15/17
D371,372 S *	7/1996	Westimayer et al.	D15/31
D392,928 S *	3/1998	Erion et al.	D12/194
D392,982 S *	3/1998	Smith	D15/17
5,739,484 A *	4/1998	Jones	181/264
D447,491 S *	9/2001	Goebert et al.	D15/17
D467,846 S *	12/2002	McGee	D12/194
D474,726 S *	5/2003	Weber et al.	D12/196
D537,396 S *	2/2007	Drew et al.	D12/194
D551,607 S *	9/2007	LaRussa	D12/194
D577,321 S *	9/2008	Shimokawa	D12/194
D583,287 S *	12/2008	Shimokawa	D12/194
D596,649 S *	7/2009	Yan et al.	D15/5
D614,103 S *	4/2010	Biddulph et al.	D12/194
D627,284 S *	11/2010	Faszer et al.	D12/194
D666,543 S *	9/2012	Lai	D12/194

- (21) Appl. No.: **29/434,726**
- (22) Filed: **Oct. 16, 2012**
- (51) **LOC (9) Cl.** **15-03**
- (52) **U.S. Cl.**
USPC **D15/17; D15/28**
- (58) **Field of Classification Search**
USPC D15/17, 5, 28, 10, 11, 13-16, 30, D15/31; D12/194, 173; 181/204, 264, 270, 181/277, 240, 269; 56/13.3, 13.4, 15.8, 15.9, 56/320.1; 180/89.1, 89.12, 900, 69.2, 68.1, 180/69.1; 72/369; 138/122, 129
See application file for complete search history.

* cited by examiner

Primary Examiner — Mark Goodwin

(74) *Attorney, Agent, or Firm* — Nelson Mullins Riley & Scarborough LLP

(57) **CLAIM**

The ornamental design for a riding lawn care vehicle exhaust system, as shown and described.

DESCRIPTION

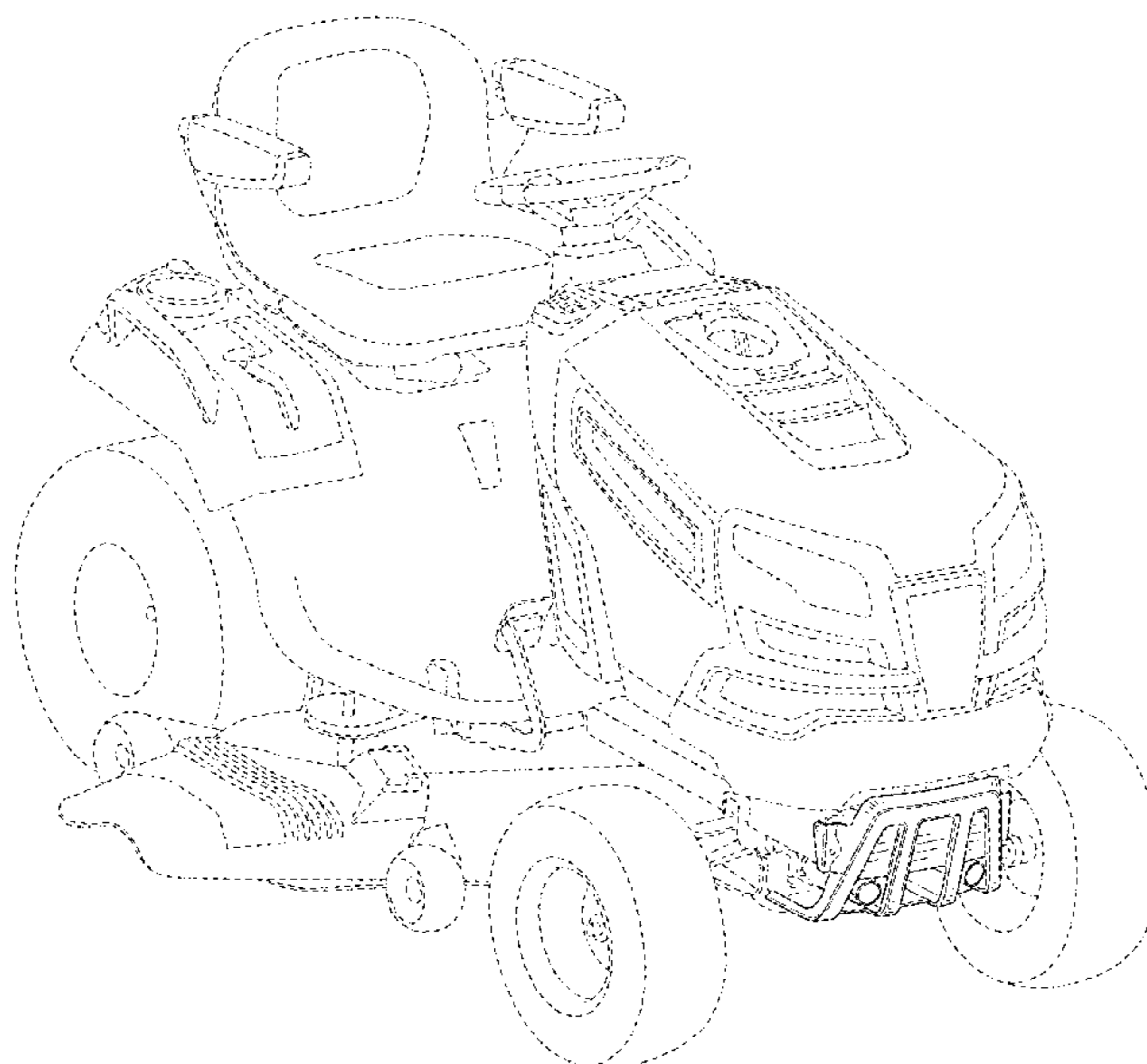
FIG. 1 is a perspective view of a riding lawn care vehicle exhaust system in accordance with an embodiment of the present invention;
 FIG. 2 is a left side view of the exhaust system of FIG. 1;
 FIG. 3 is a right side view of the exhaust system of FIG. 1;
 FIG. 4 is a front view of the exhaust system of FIG. 1; and
 FIG. 5 is a bottom view of the exhaust system of FIG. 1.
 The broken lines of FIGS. 1-5 are illustrative of the visible environmental structure of the exhaust system and form no part of the claimed design.

(56) **References Cited**

U.S. PATENT DOCUMENTS

1,709,217 A *	4/1929	Hamilton	181/269
D128,184 S *	7/1941	Welch	D12/194
D179,611 S *	1/1957	Powers et al.	D12/194
D248,463 S *	7/1978	Barnes	D12/194
4,109,751 A *	8/1978	Kabele	181/247
4,909,347 A *	3/1990	Wang	181/272
D318,840 S *	8/1991	Miles, Jr.	D12/194
D344,960 S *	3/1994	Patterson et al.	D15/17

1 Claim, 5 Drawing Sheets



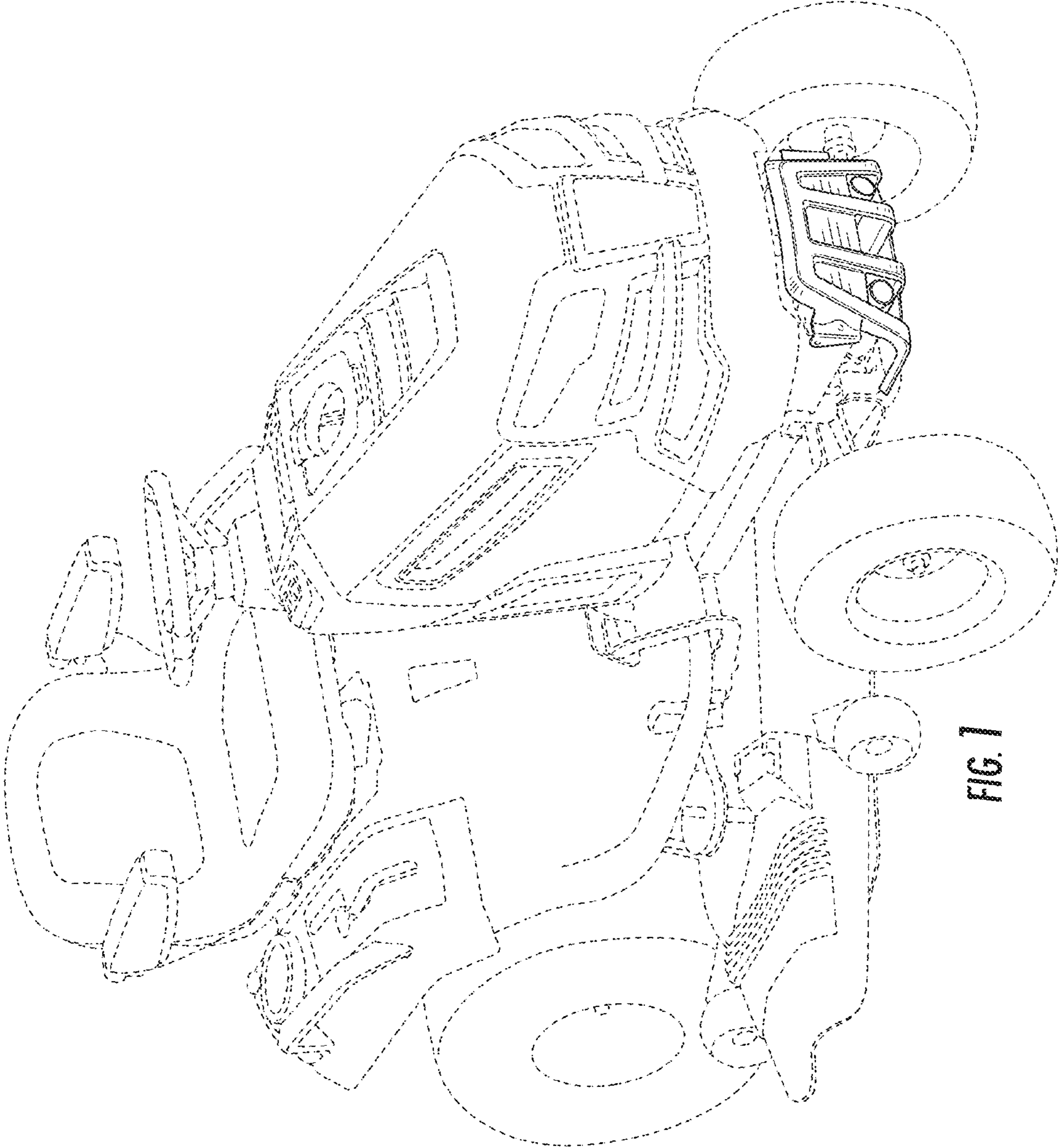


FIG. 1

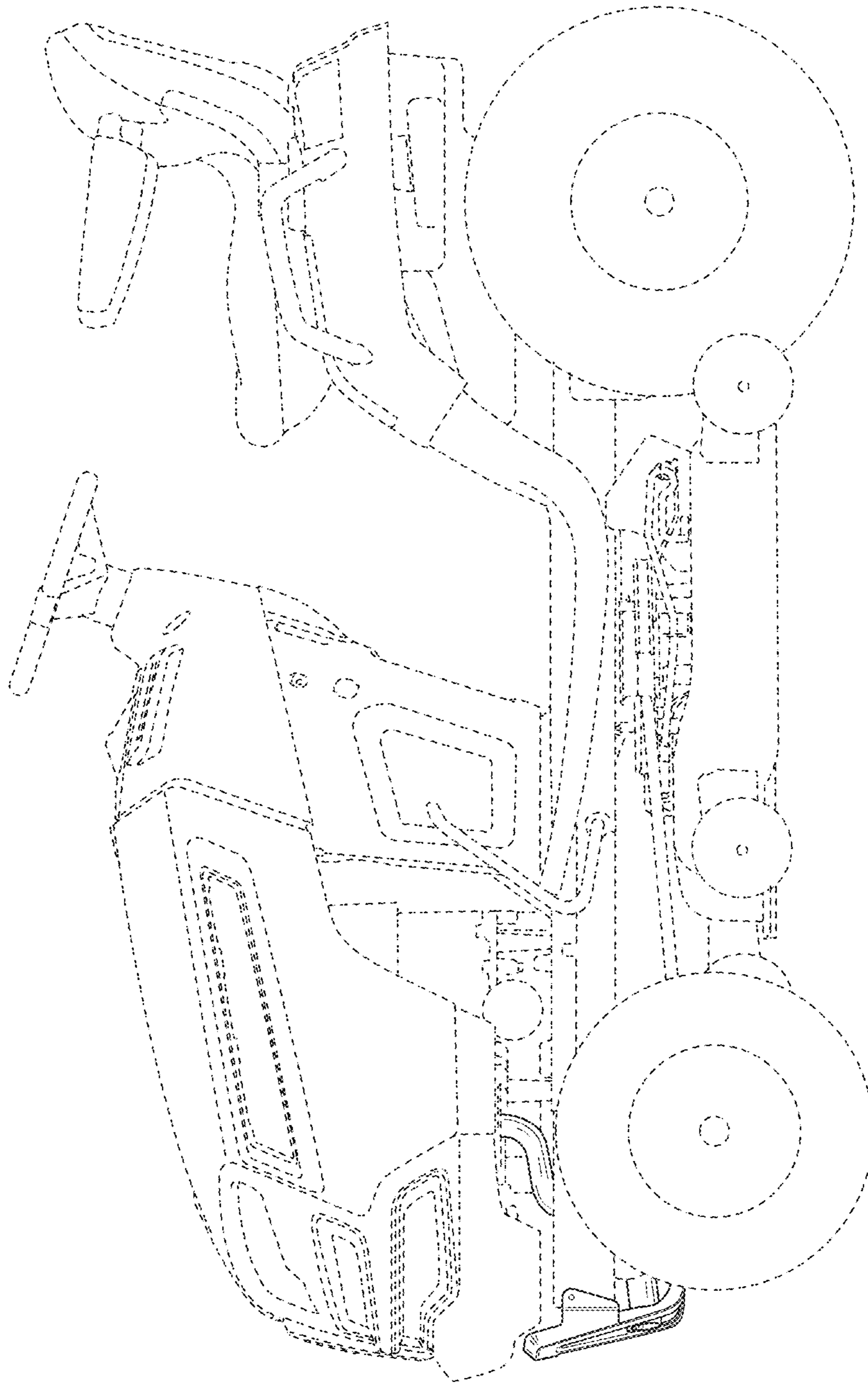


FIG. 2

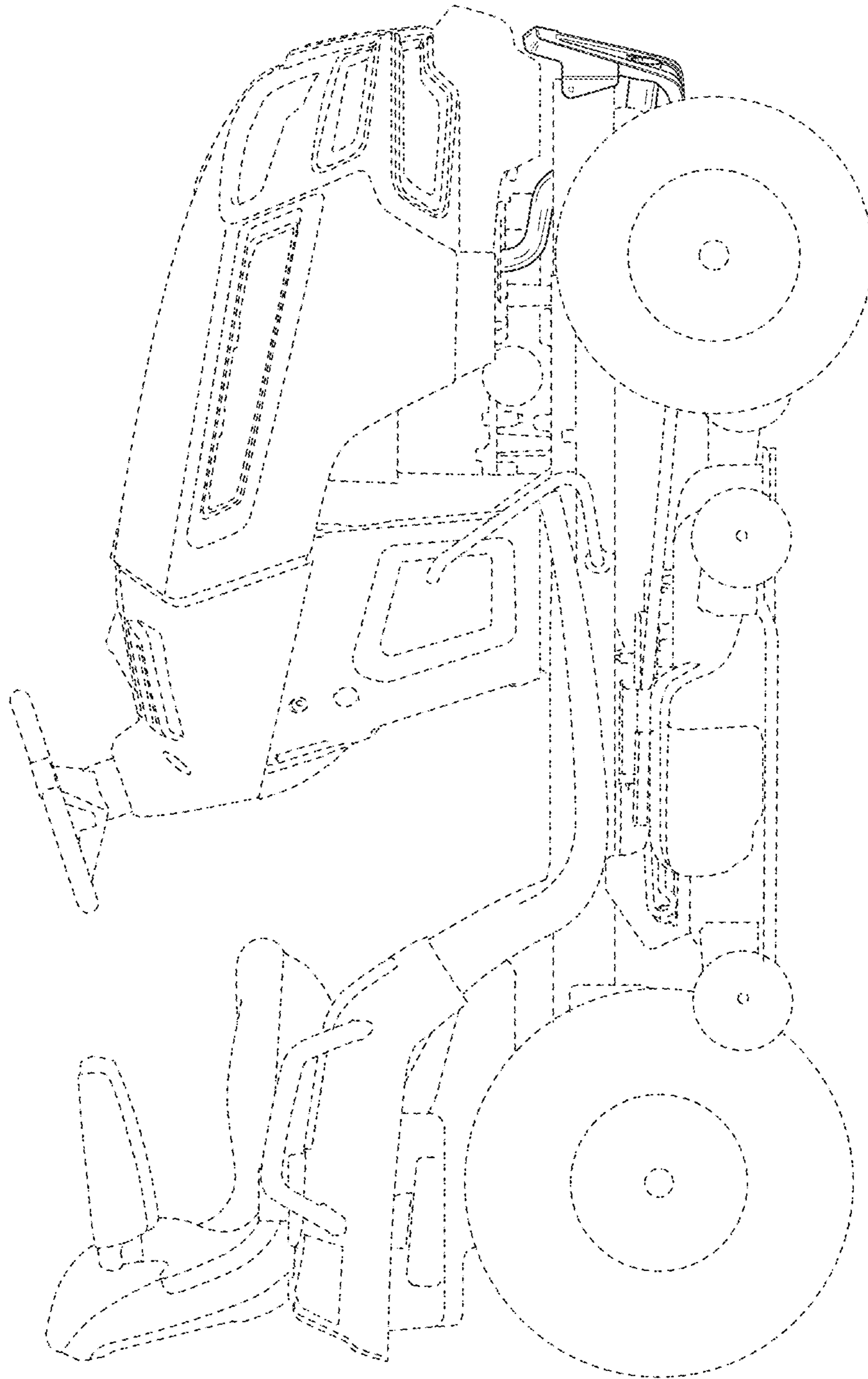


FIG. 3

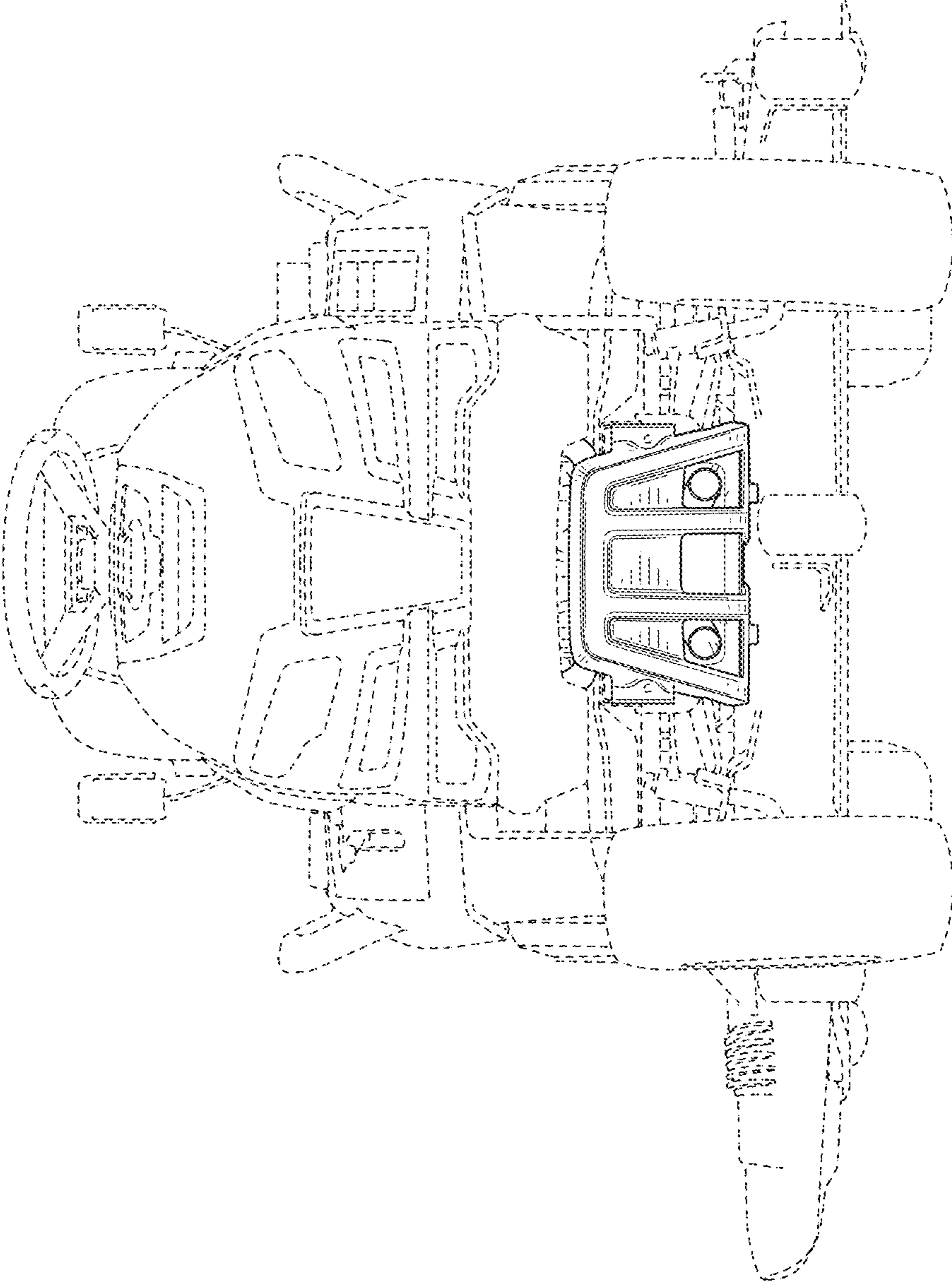


FIG. 4

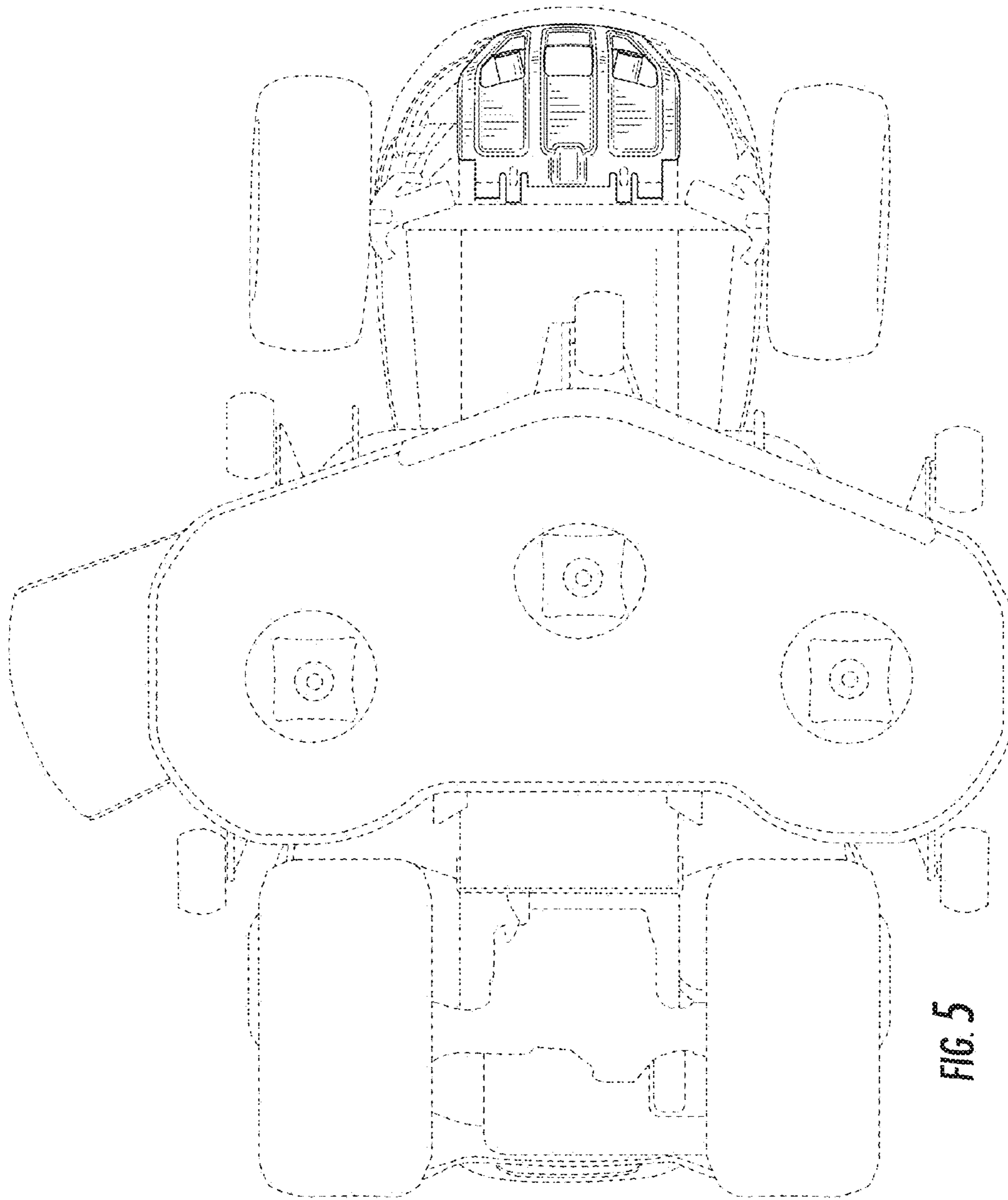


FIG. 5