



US00D685004S

(12) **United States Design Patent**
Chen

(10) **Patent No.:** **US D685,004 S**
(45) **Date of Patent:** **** Jun. 25, 2013**

(54) **AIR COMPRESSOR CYLINDER HOUSING**

D659,169 S * 5/2012 Chen D15/9
D659,170 S * 5/2012 Chen D15/9
D659,171 S * 5/2012 Chen D15/9

(76) Inventor: **Chun Lan Chen**, Xingling (CN)

* cited by examiner

(**) Term: **14 Years**

Primary Examiner — Ralf Seifert

(21) Appl. No.: **29/432,207**

(74) *Attorney, Agent, or Firm* — Charles E. Baxley

(22) Filed: **Sep. 14, 2012**

(57) **CLAIM**

(51) **LOC (9) Cl.** **15-02**

The ornamental design for an air compressor cylinder housing, as shown and described.

(52) **U.S. Cl.**

DESCRIPTION

USPC **D15/9**

(58) **Field of Classification Search**

USPC D15/7-9; D23/231, 232, 225; 417/60, 417/235, 265, 321, 355, 358, 363, 359, 410.1, 417/415-416, 405, 900; 60/408, 412; 184/26-37; 415/140-147; 123/495, 509; 141/38
See application file for complete search history.

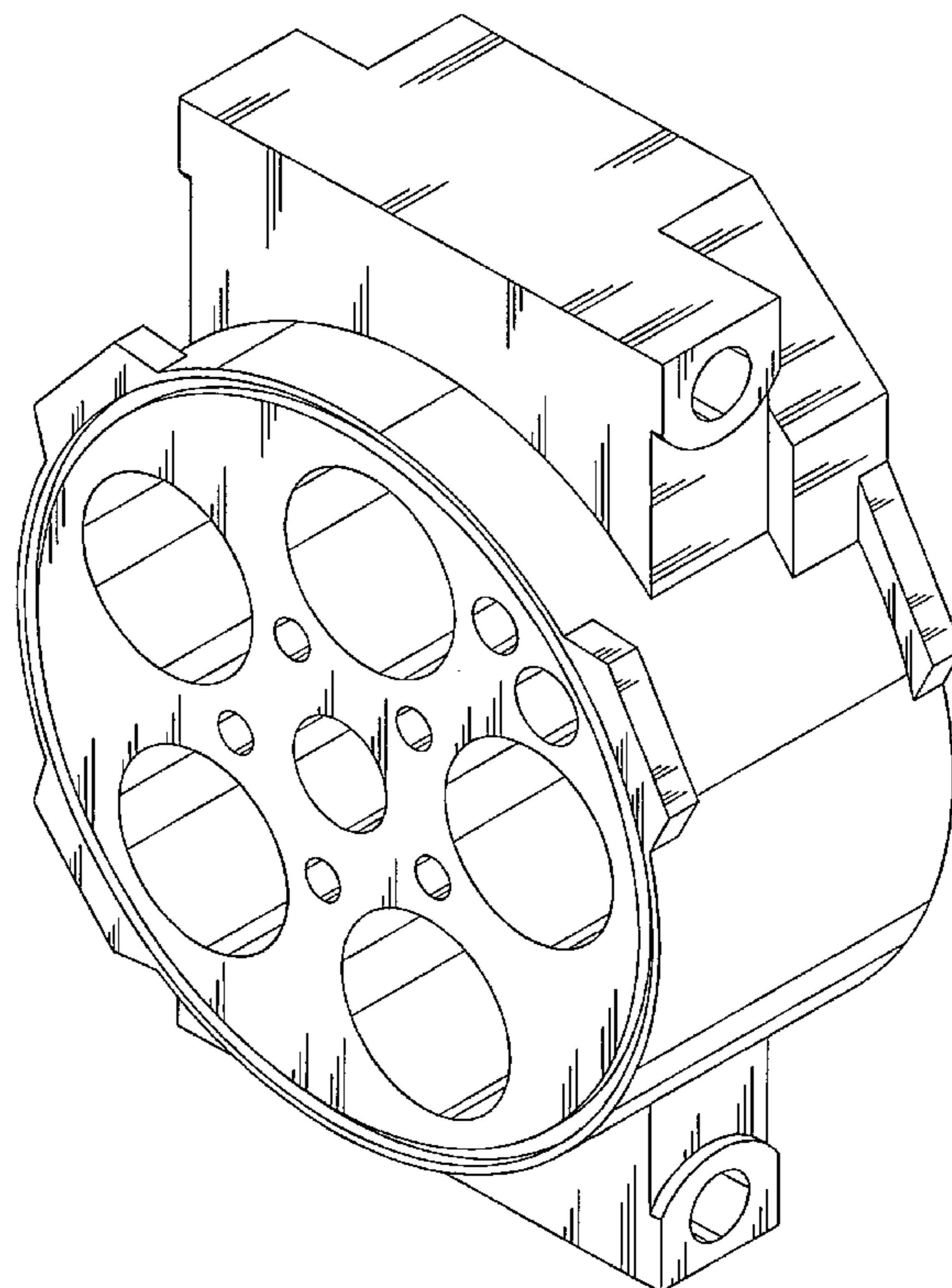
FIG. 1 is a front perspective view of an air compressor cylinder housing showing my new design; FIG. 2 is a front elevational view thereof; FIG. 3 is a rear elevational view thereof; FIG. 4 is a top plan view thereof; FIG. 5 is a bottom plan view thereof; FIG. 6 is a left side elevational view thereof; FIG. 7 is a right side elevational view thereof; and FIG. 8 is a rear and upper perspective view thereof; FIG. 9 is a rear and bottom perspective view thereof; FIG. 10 is a front perspective view thereof, the openings depicted by means of broken lines being for illustrative purposes only and forming no part of the claimed design; and, FIG. 11 is a rear and upper perspective view thereof, the openings and the depressions depicted by means of broken lines being for illustrative purposes only and forming no part of the claimed design.

(56) **References Cited**

U.S. PATENT DOCUMENTS

| | | | | | | |
|----------|---|---|---------|--------------|-------|-------|
| D461,195 | S | * | 8/2002 | Kudou et al. | | D15/9 |
| D506,763 | S | * | 6/2005 | Chu | | D15/9 |
| D530,345 | S | * | 10/2006 | Chu | | D15/9 |
| D532,020 | S | * | 11/2006 | Chu | | D15/9 |
| D540,351 | S | * | 4/2007 | Chu | | D15/9 |
| D541,820 | S | * | 5/2007 | Chu | | D15/9 |
| D541,821 | S | * | 5/2007 | Chu | | D15/9 |
| D589,063 | S | * | 3/2009 | Chu | | D15/9 |
| D648,748 | S | * | 11/2011 | Chu | | D15/9 |
| D659,168 | S | * | 5/2012 | Chen | | D15/9 |

1 Claim, 9 Drawing Sheets



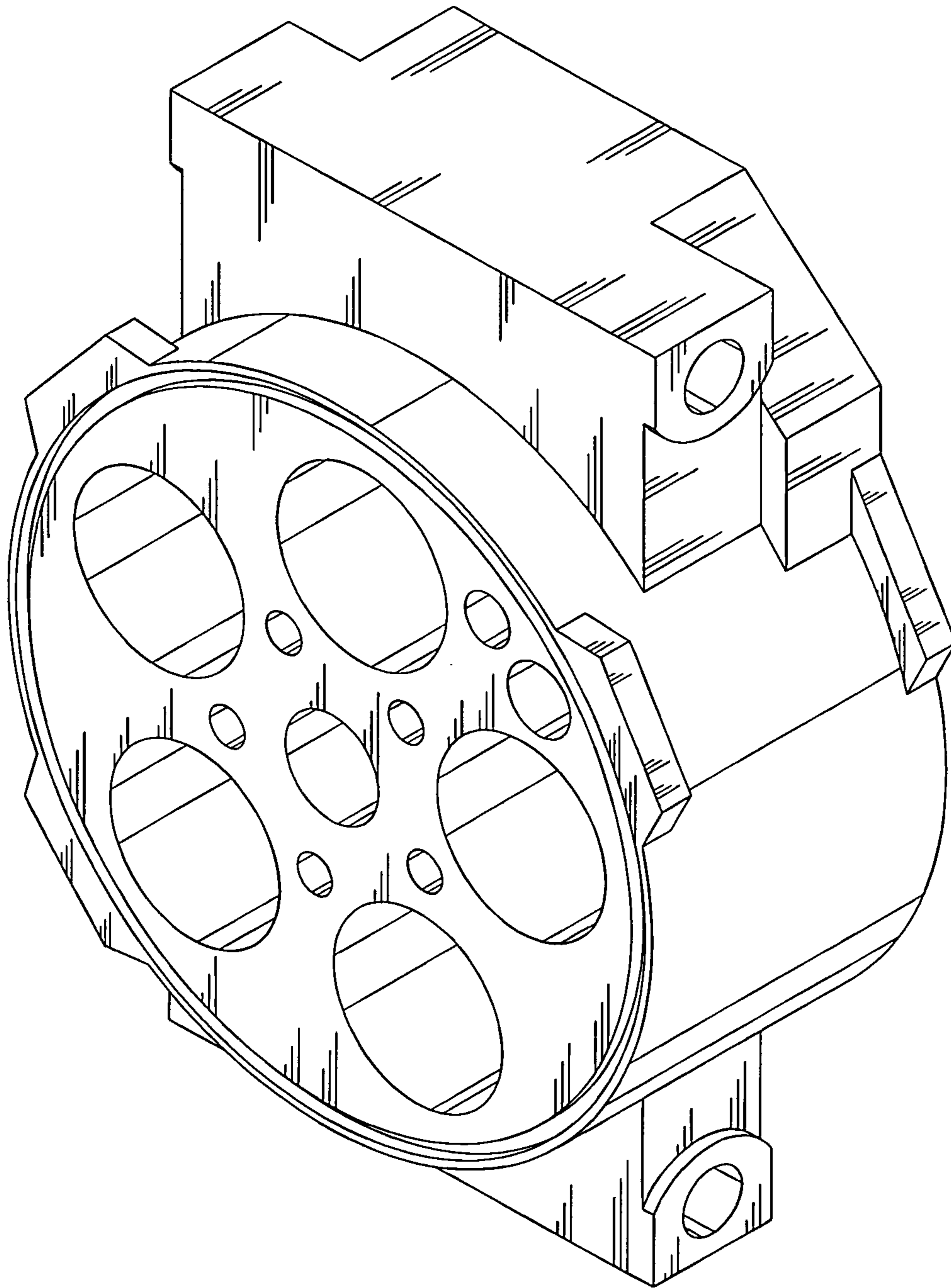


FIG. 1

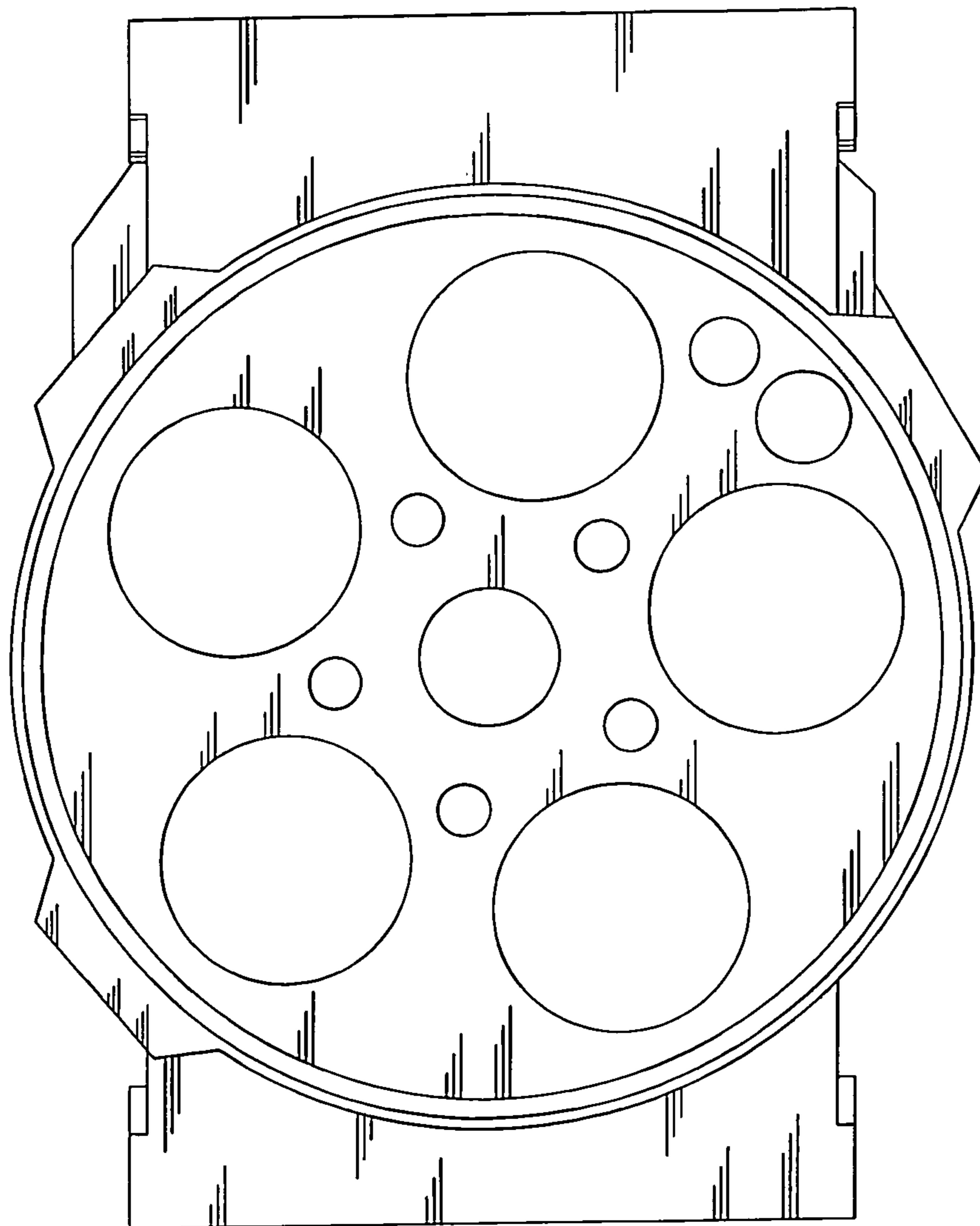


FIG. 2

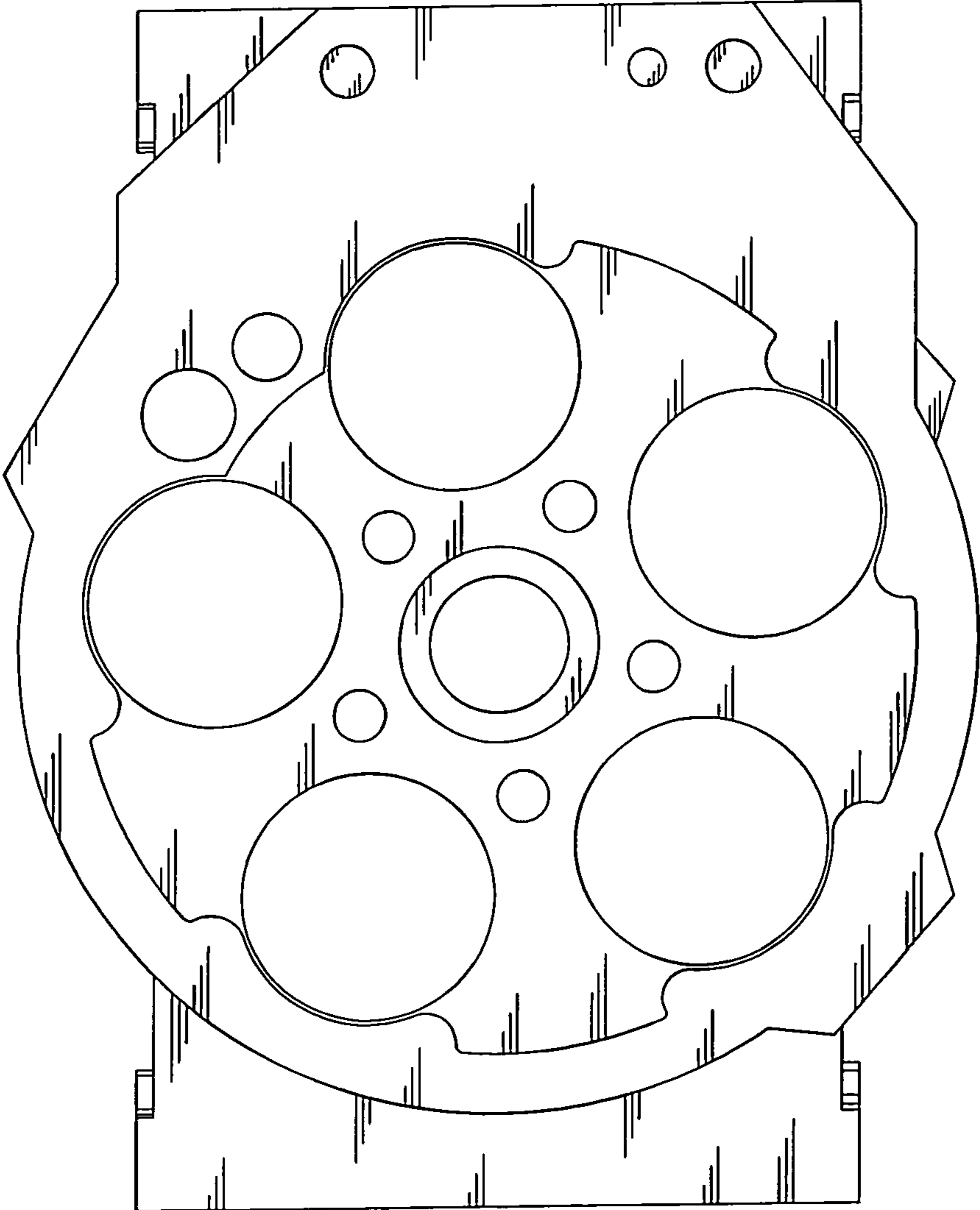


FIG. 3

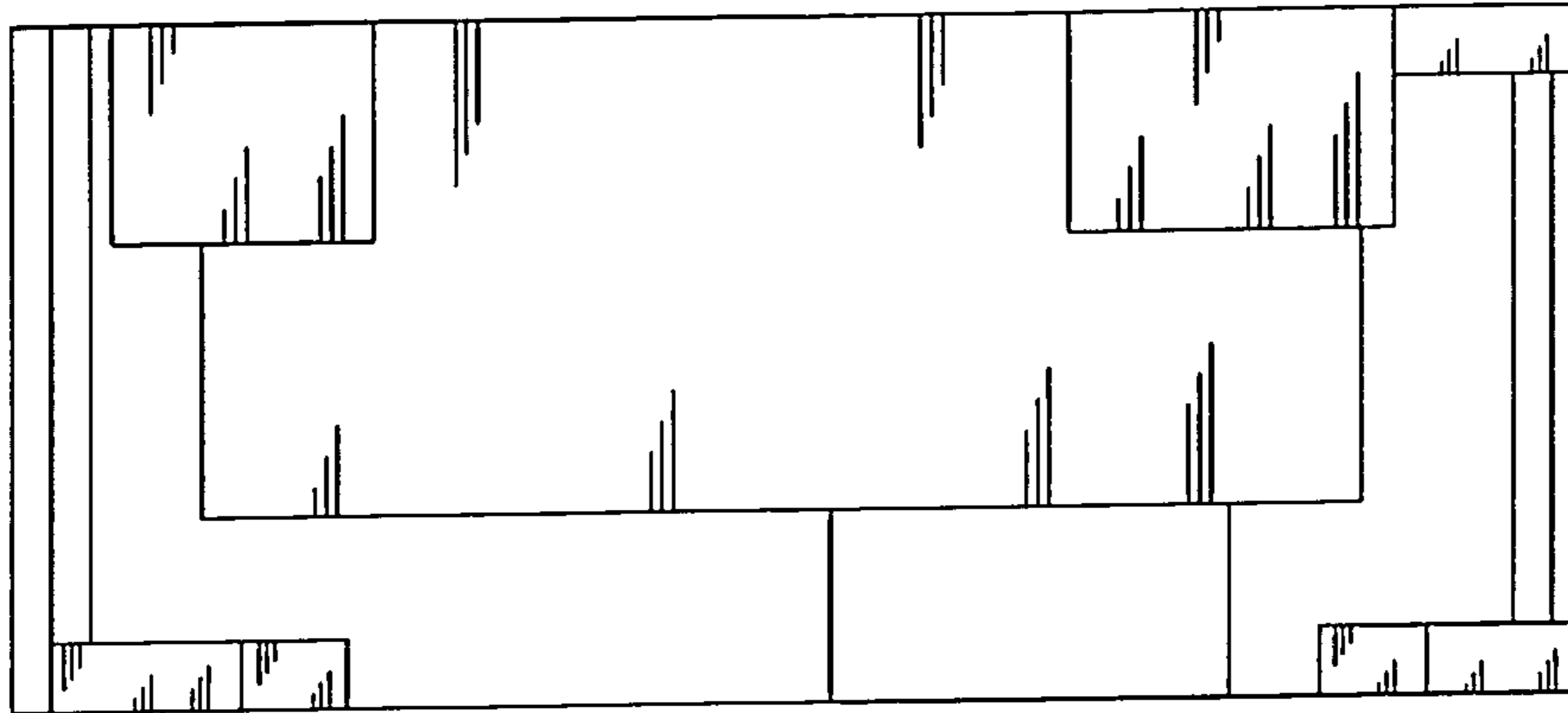


FIG. 4

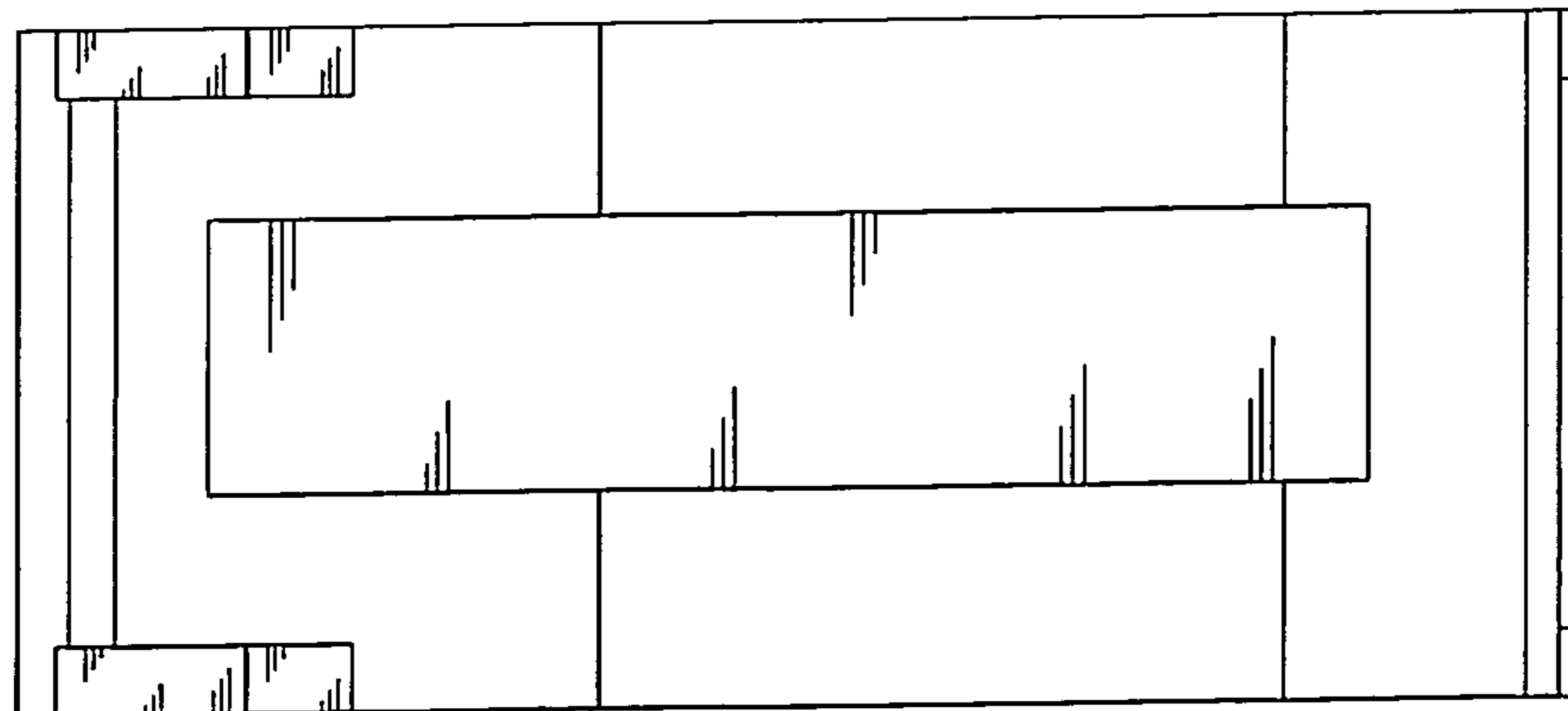


FIG. 5

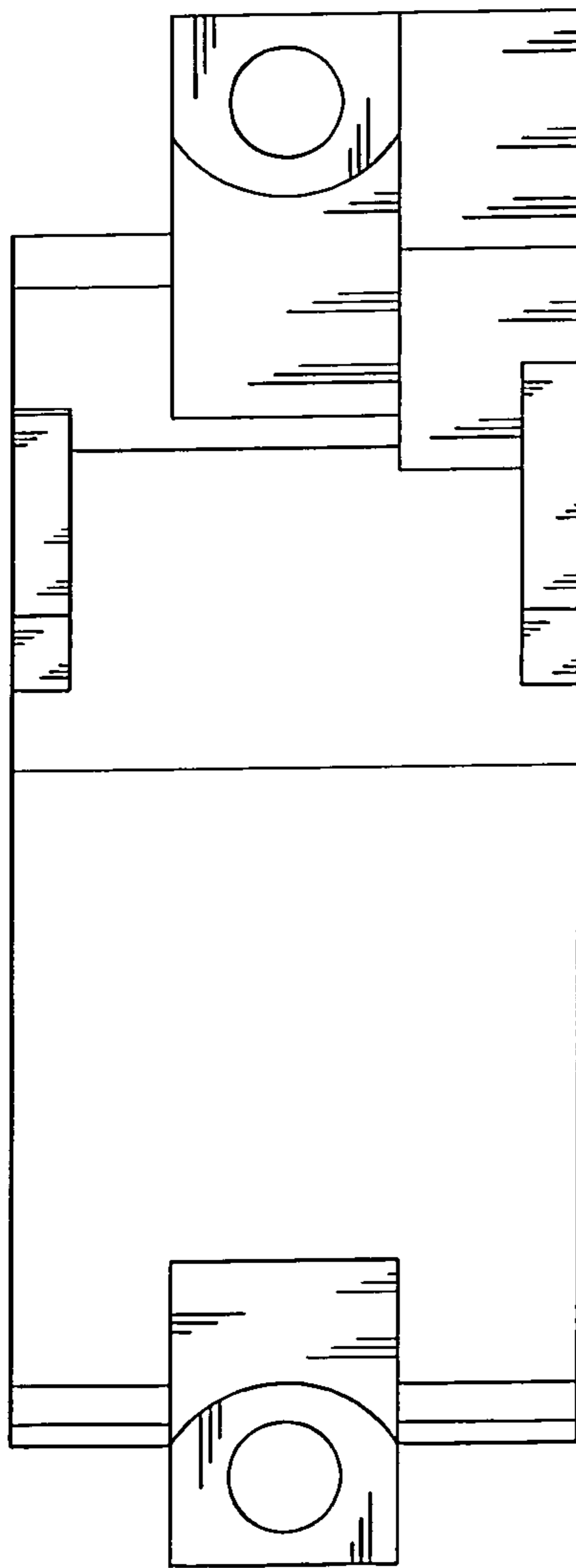


FIG. 6

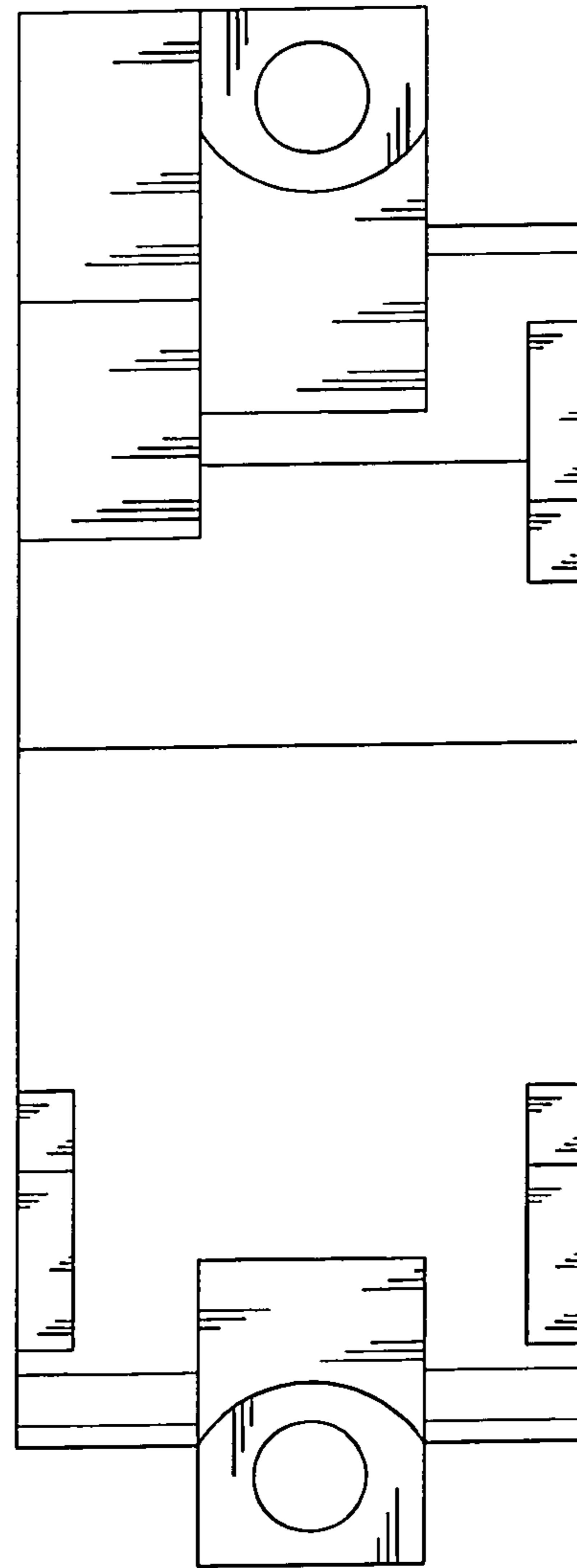


FIG. 7

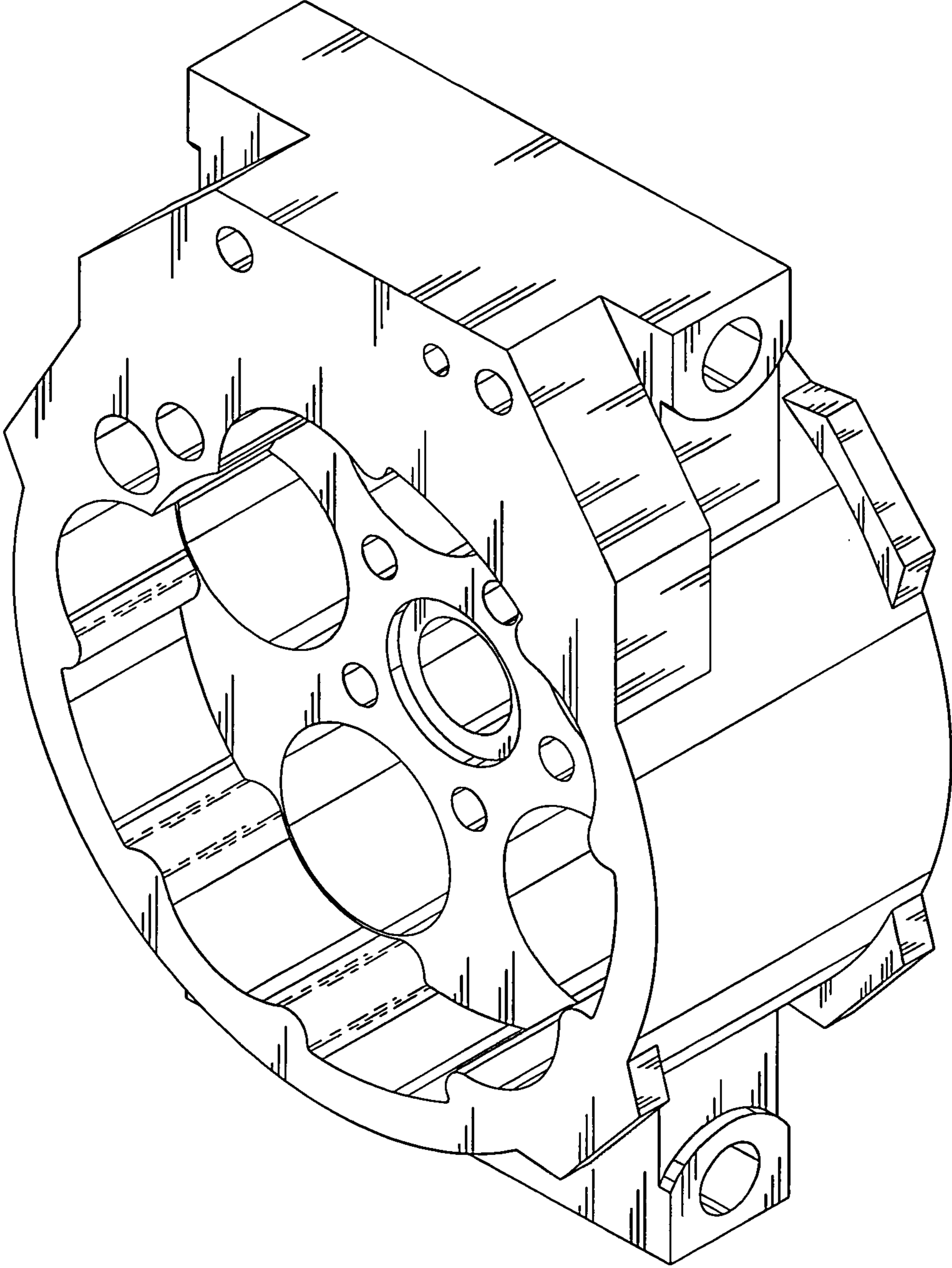


FIG. 8

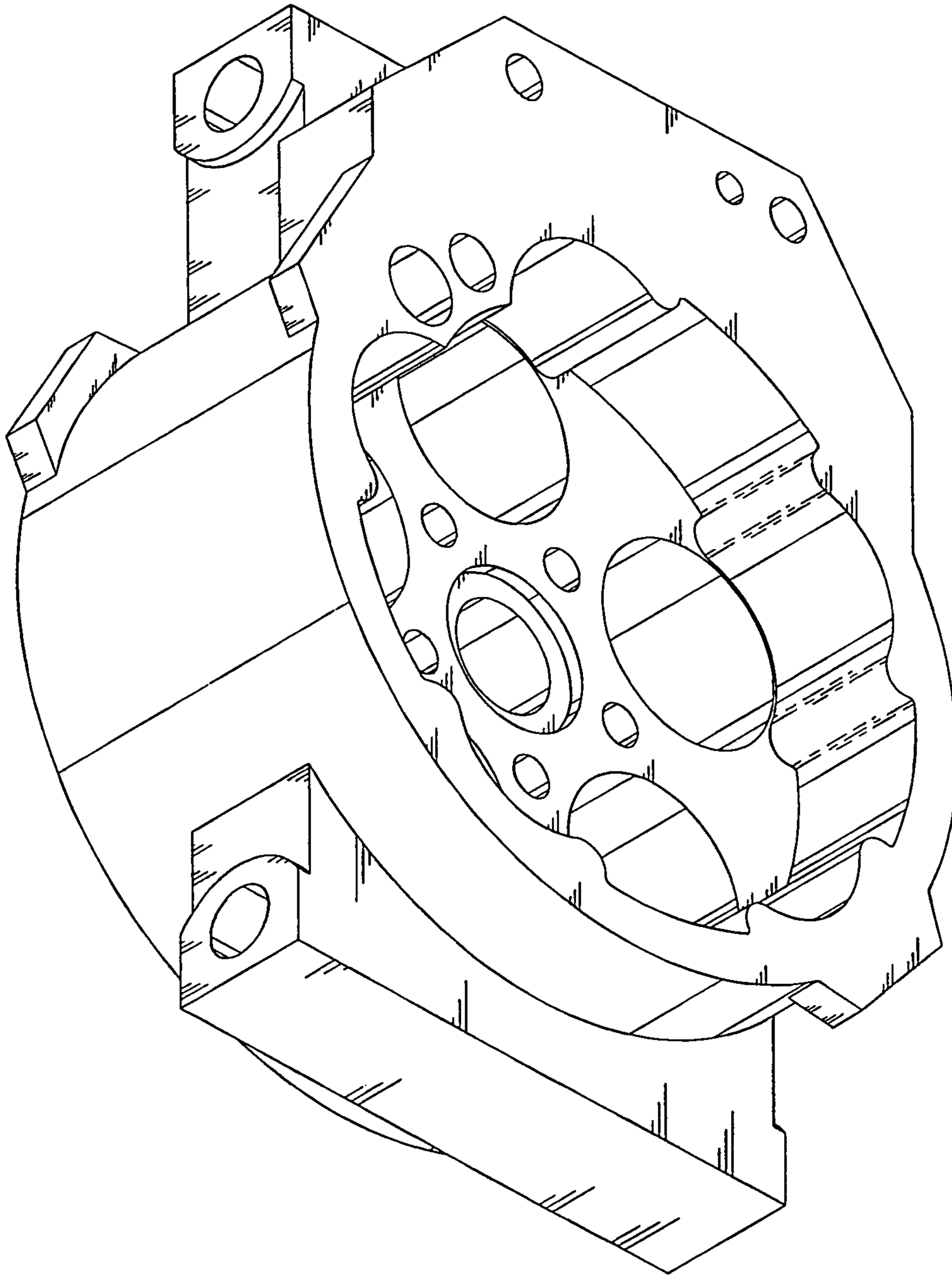


FIG. 9

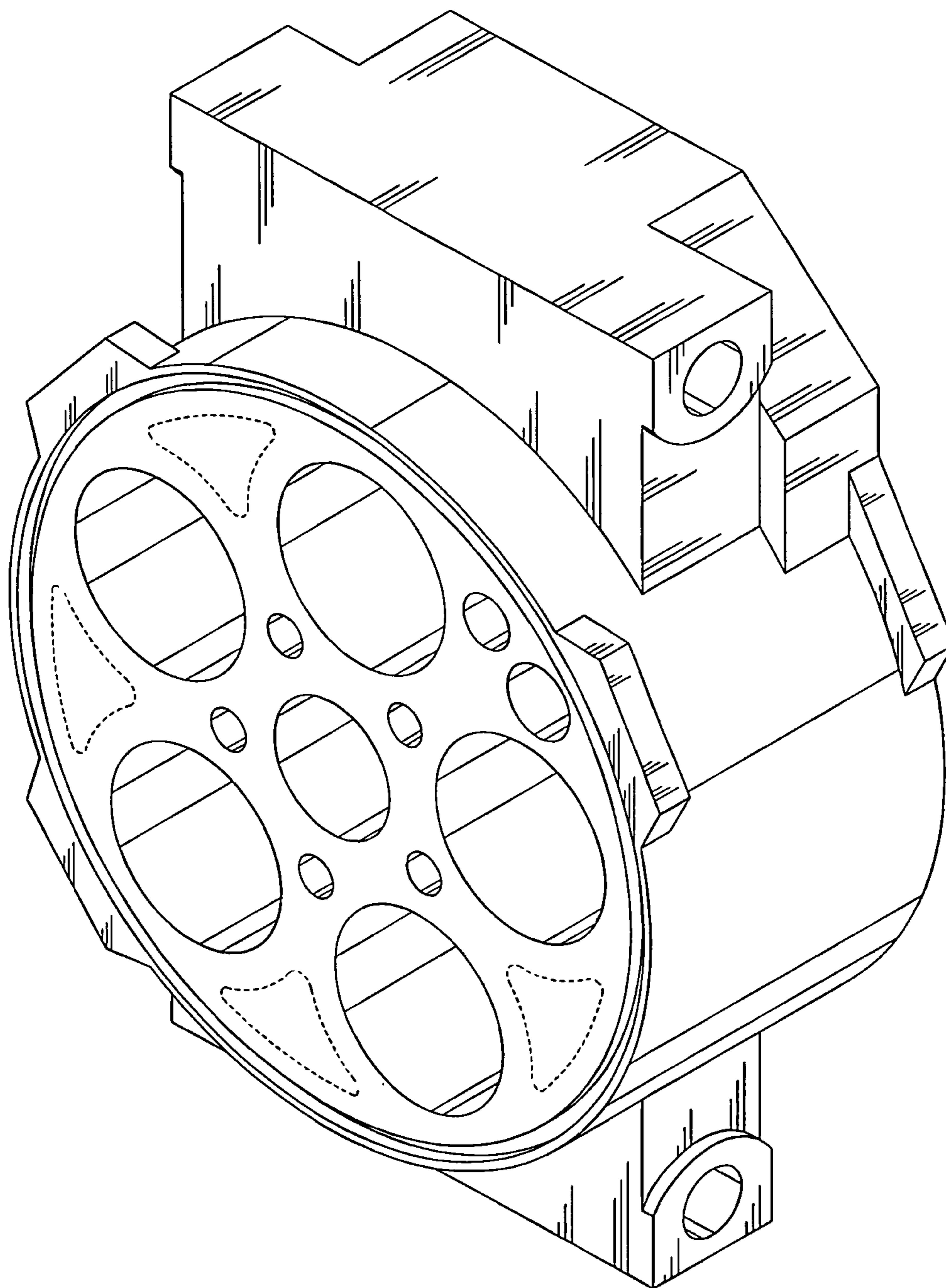


FIG. 10

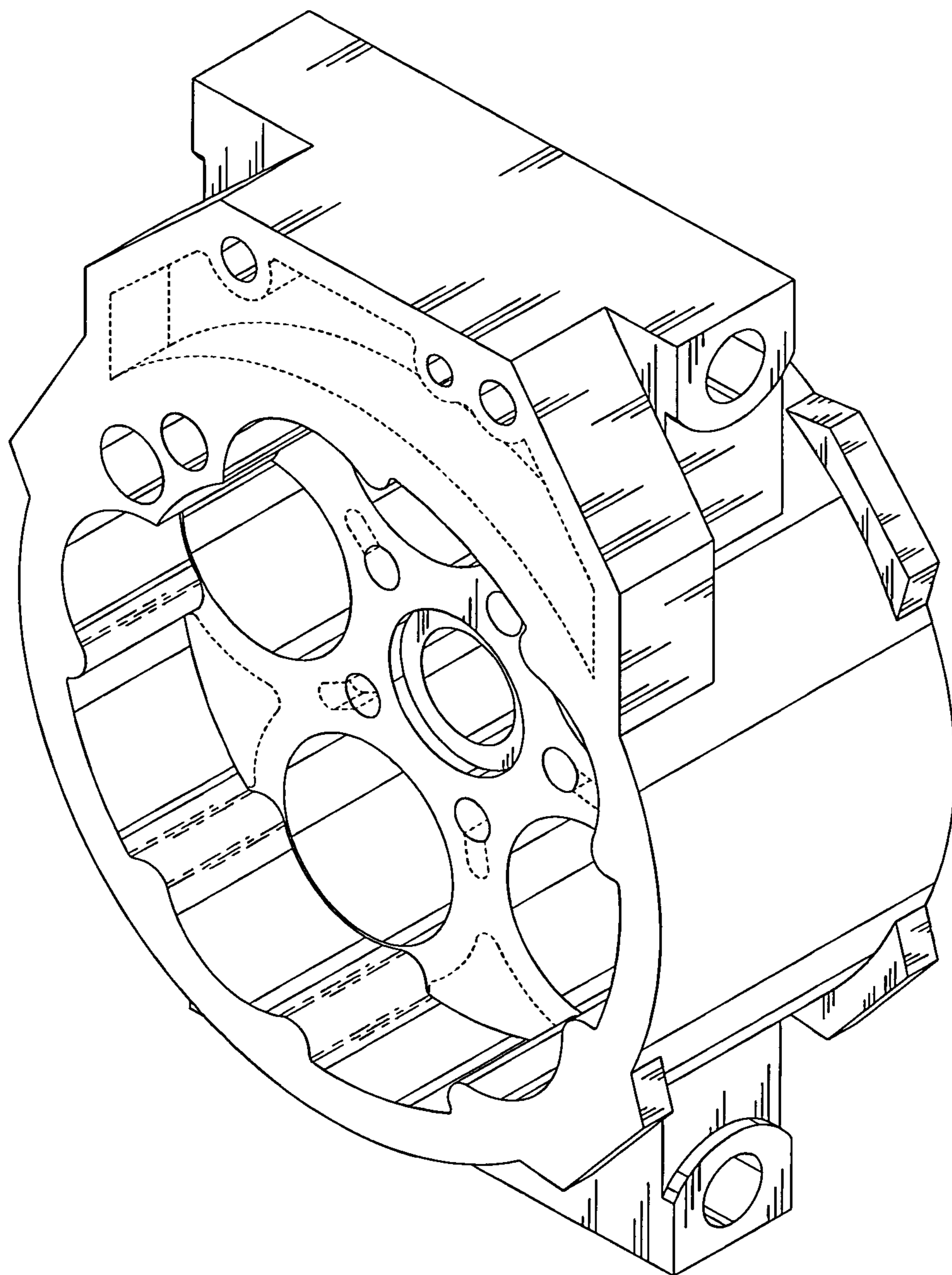


FIG. 11