



US00D685002S

(12) **United States Design Patent**
Chen

(10) **Patent No.:** **US D685,002 S**

(45) **Date of Patent:** **** Jun. 25, 2013**

(54) **AIR COMPRESSOR CYLINDER HOUSING**

(76) Inventor: **Chun Lan Chen**, Xingling (CN)

(**) Term: **14 Years**

(21) Appl. No.: **29/432,190**

(22) Filed: **Sep. 14, 2012**

(51) **LOC (9) Cl.** **15-02**

(52) **U.S. Cl.**
USPC **D15/9**

(58) **Field of Classification Search**
USPC D15/7-9; D23/231, 232, 225; 417/60,
417/235, 265, 321, 355, 358, 363, 359, 410.1,
417/415-416, 405, 900; 60/408, 412;
184/26-37; 415/140-147; 123/495, 509
See application file for complete search history.

(56) **References Cited**

U.S. PATENT DOCUMENTS

D461,195	S	*	8/2002	Kudou et al.	D15/9
D506,763	S	*	6/2005	Chu	D15/9
D530,345	S	*	10/2006	Chu	D15/9
D532,020	S	*	11/2006	Chu	D15/9
D540,351	S	*	4/2007	Chu	D15/9
D541,820	S	*	5/2007	Chu	D15/9
D541,821	S	*	5/2007	Chu	D15/9
D589,063	S	*	3/2009	Chu	D15/9
D648,748	S	*	11/2011	Chu	D15/9
D659,168	S	*	5/2012	Chen	D15/9

D659,169	S	*	5/2012	Chen	D15/9
D659,170	S	*	5/2012	Chen	D15/9
D659,171	S	*	5/2012	Chen	D15/9

* cited by examiner

Primary Examiner — Ralf Seifert

(74) *Attorney, Agent, or Firm* — Charles E. Baxley

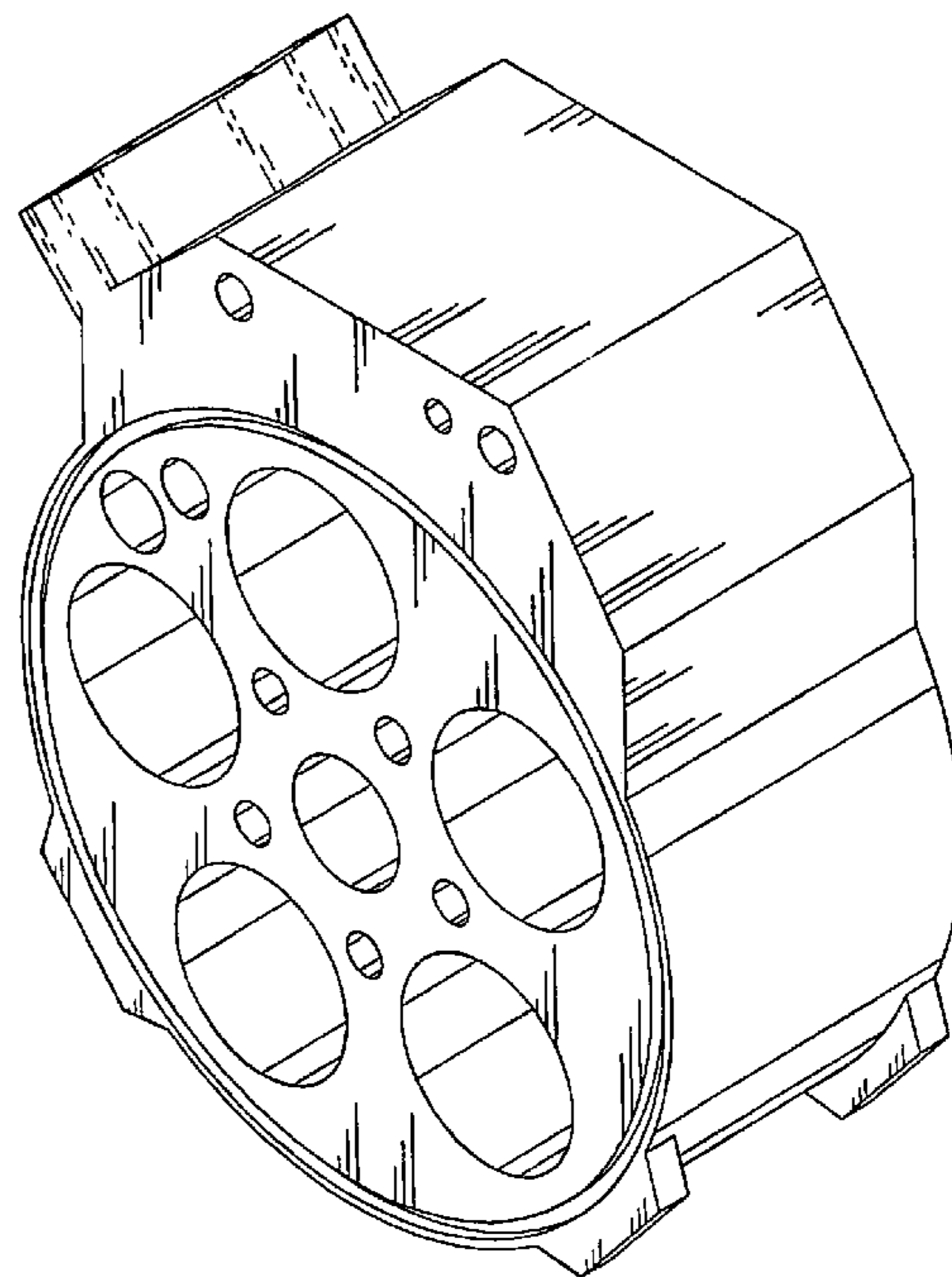
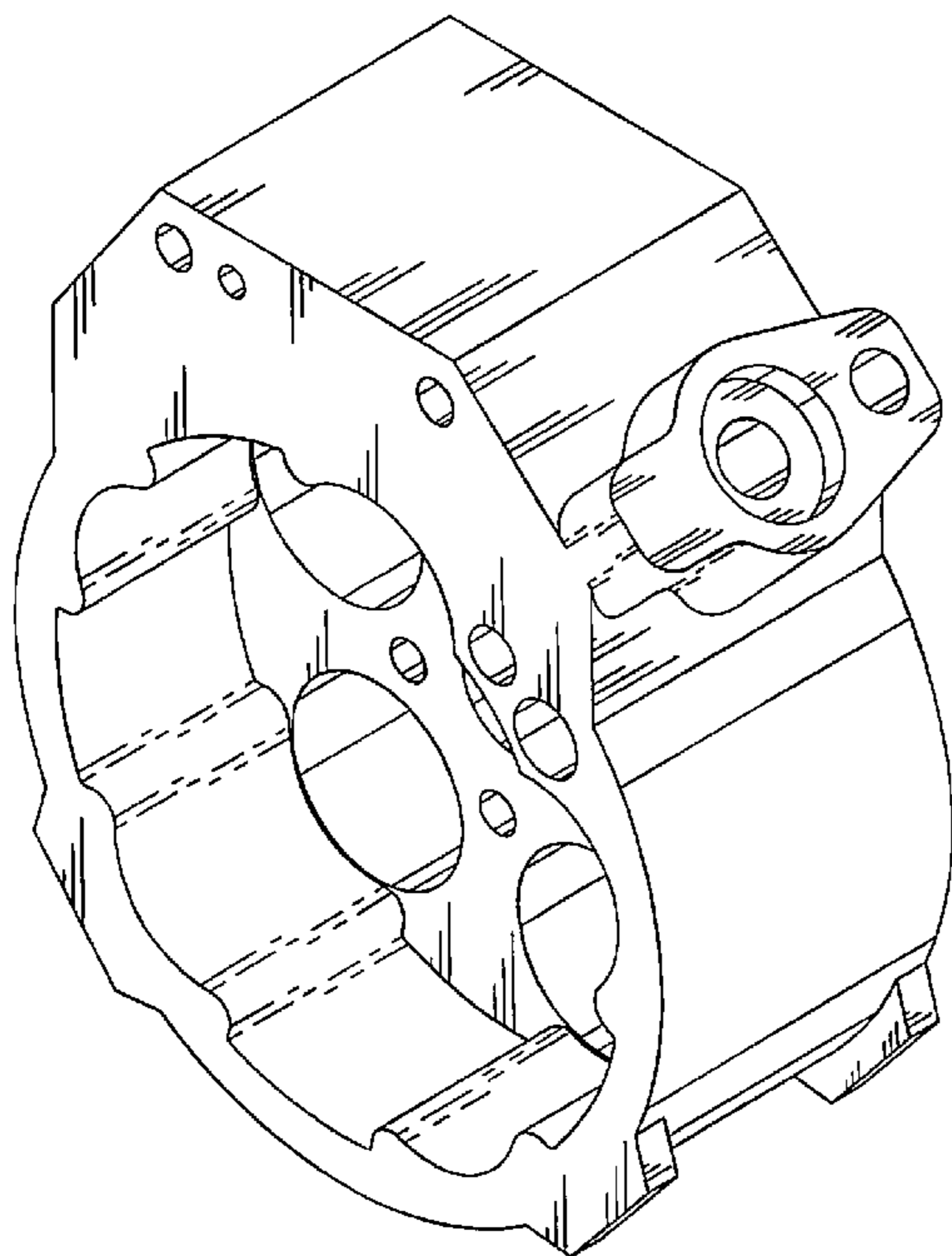
(57) **CLAIM**

The ornamental design for an air compressor cylinder housing, as shown and described.

DESCRIPTION

FIG. 1 is a front and upper perspective view of an air compressor cylinder housing showing my new design;
 FIG. 2 is a front elevational view thereof;
 FIG. 3 is a rear elevational view thereof;
 FIG. 4 is a top plan view thereof;
 FIG. 5 is a bottom plan view thereof;
 FIG. 6 is a left side elevational view thereof;
 FIG. 7 is a right side elevational view thereof; and
 FIG. 8 is a rear perspective view thereof;
 FIG. 9 is a front and bottom perspective view thereof;
 FIG. 10 is a front and upper perspective view thereof, the openings and the depressions depicted by means of broken lines being for illustrative purposes only and forming no part of the claimed design; and,
 FIG. 11 is a rear perspective view thereof, the openings depicted by means of broken lines being for illustrative purposes only and forming no part of the claimed design.

1 Claim, 6 Drawing Sheets



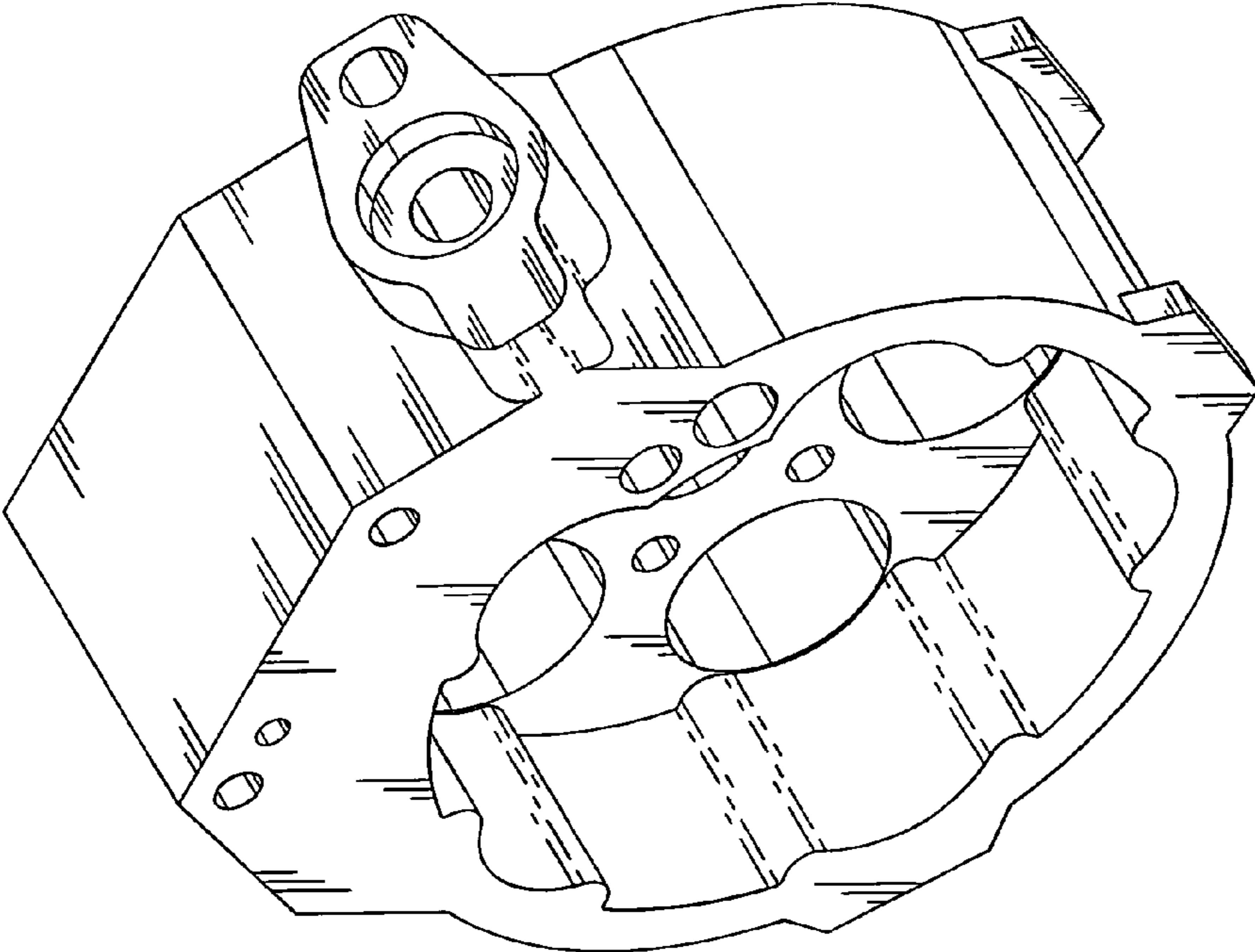


FIG. 1

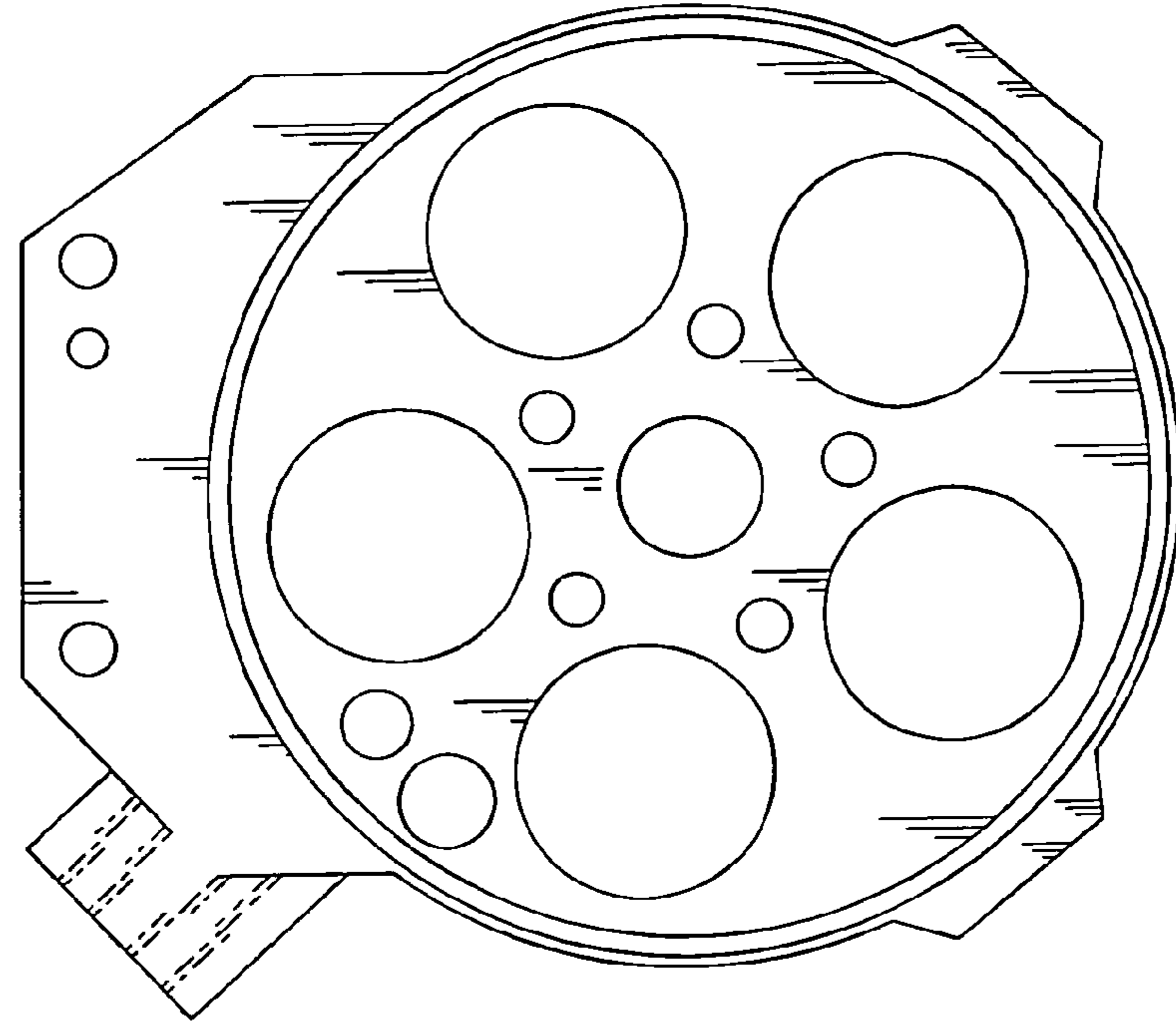


FIG. 3

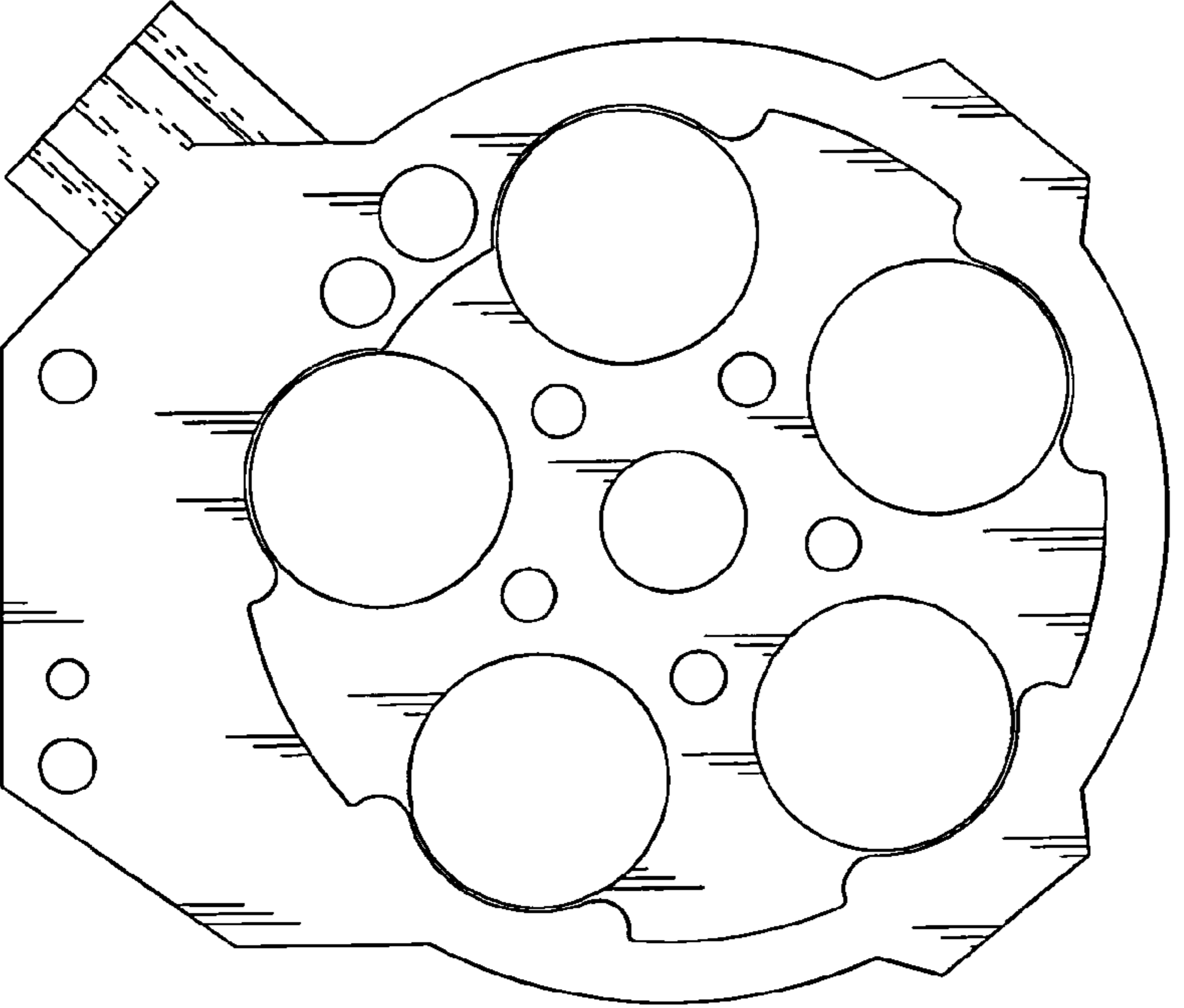


FIG. 2

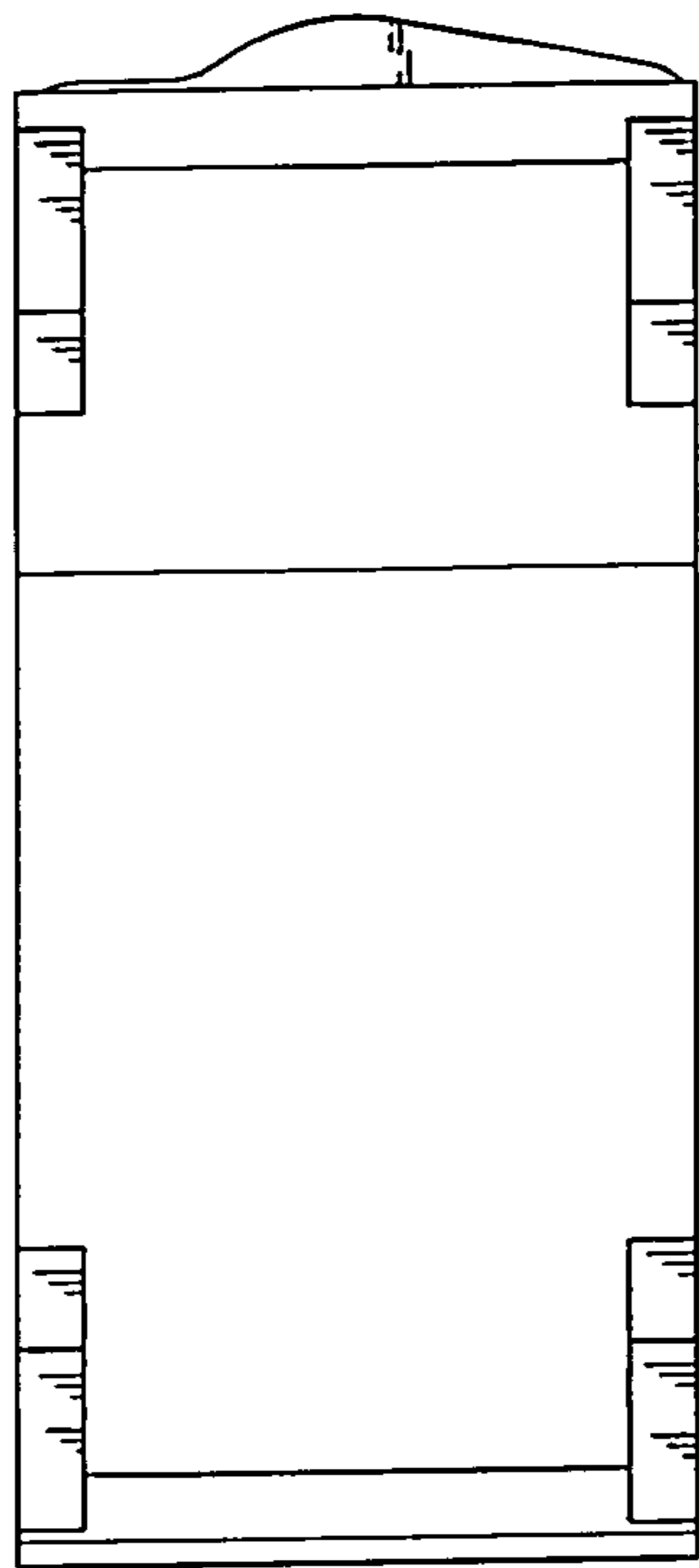


FIG. 4

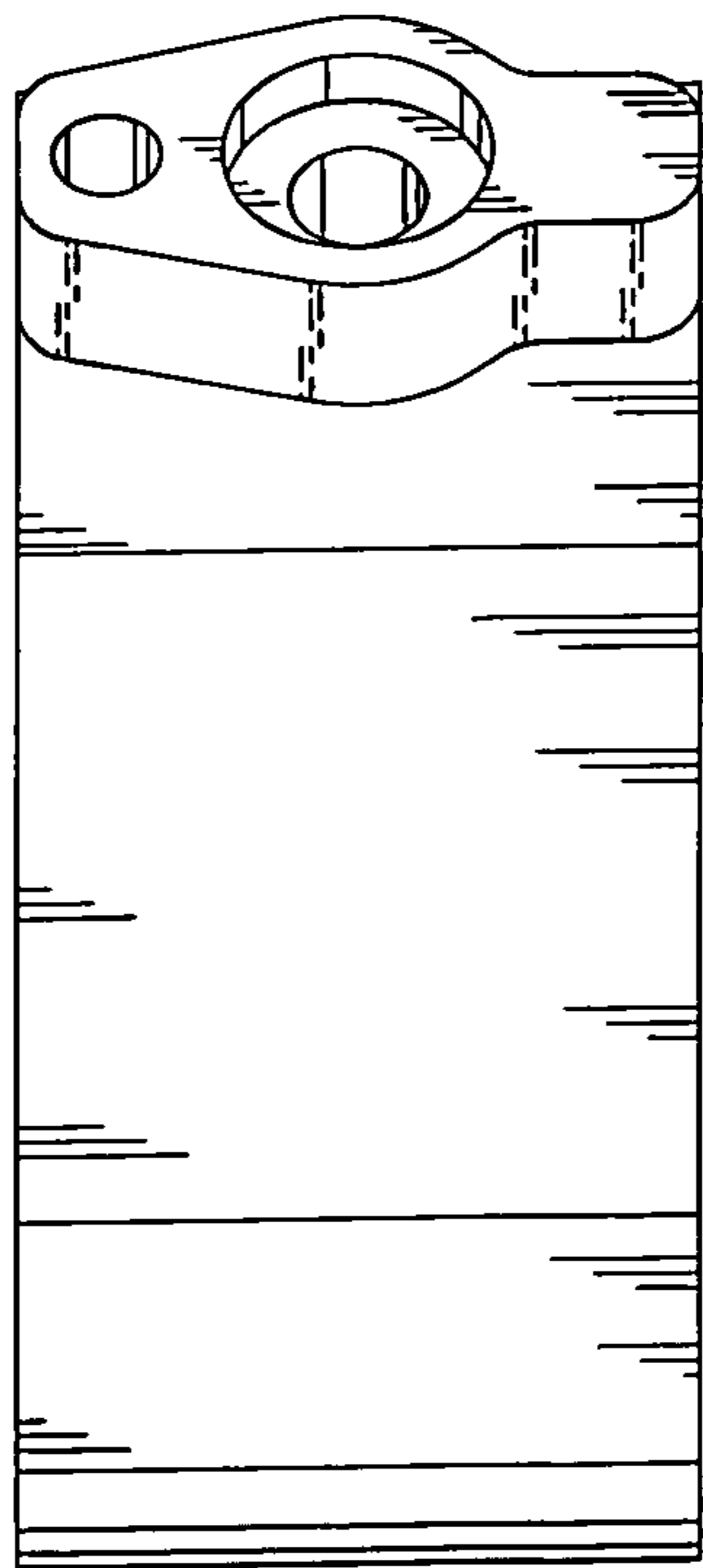


FIG. 5

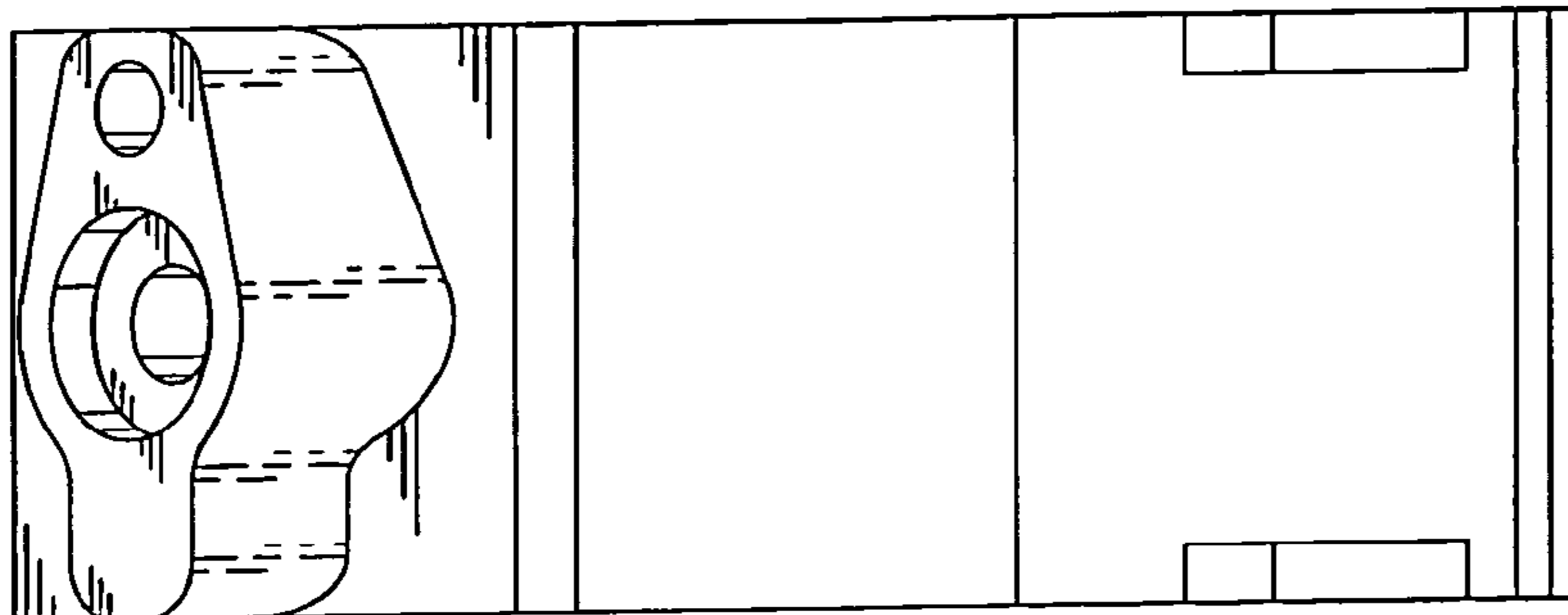


FIG. 7

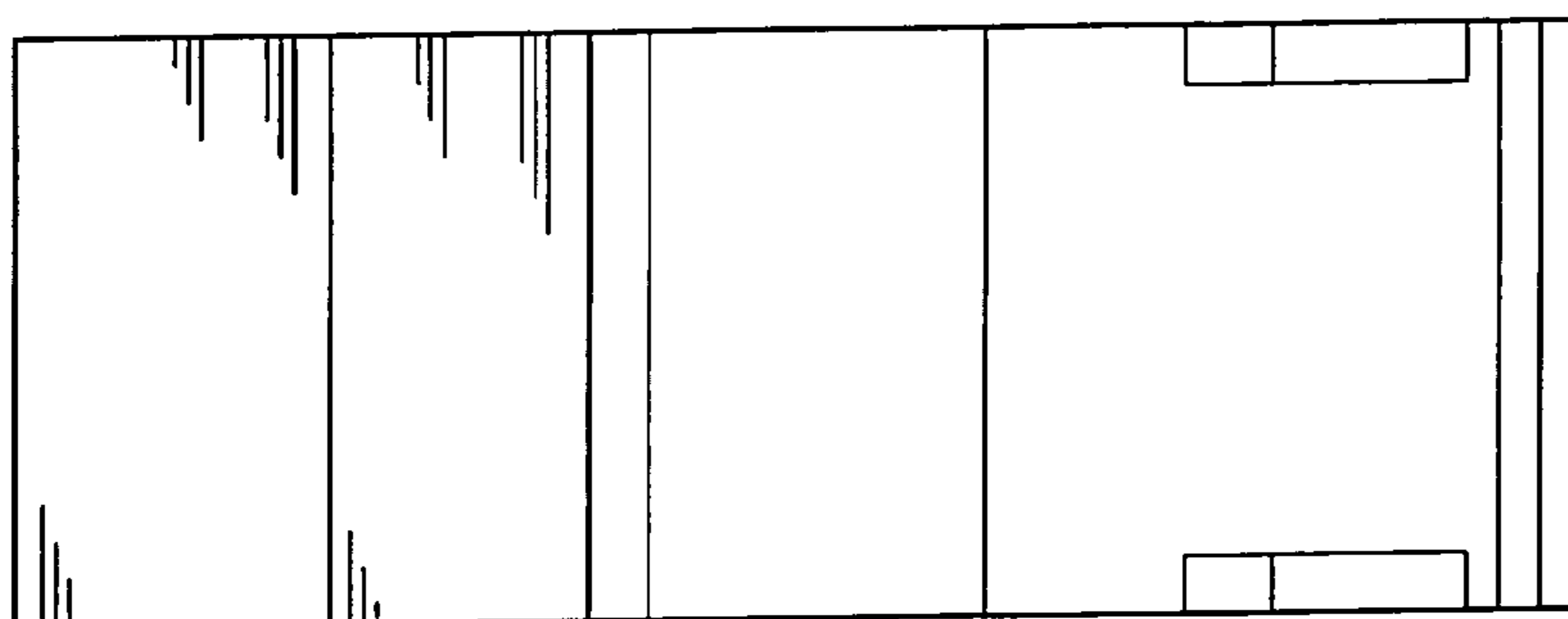


FIG. 6

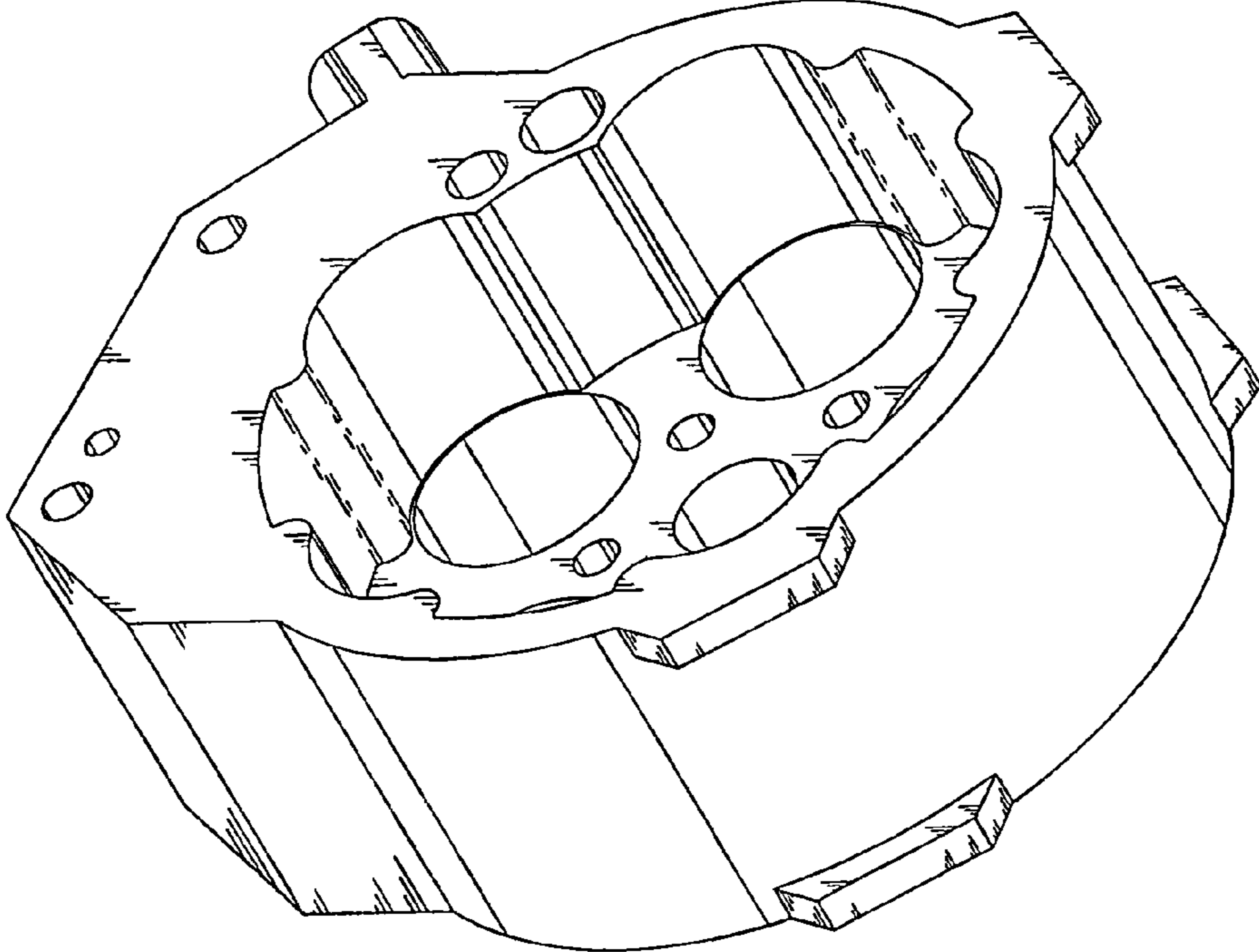


FIG. 9

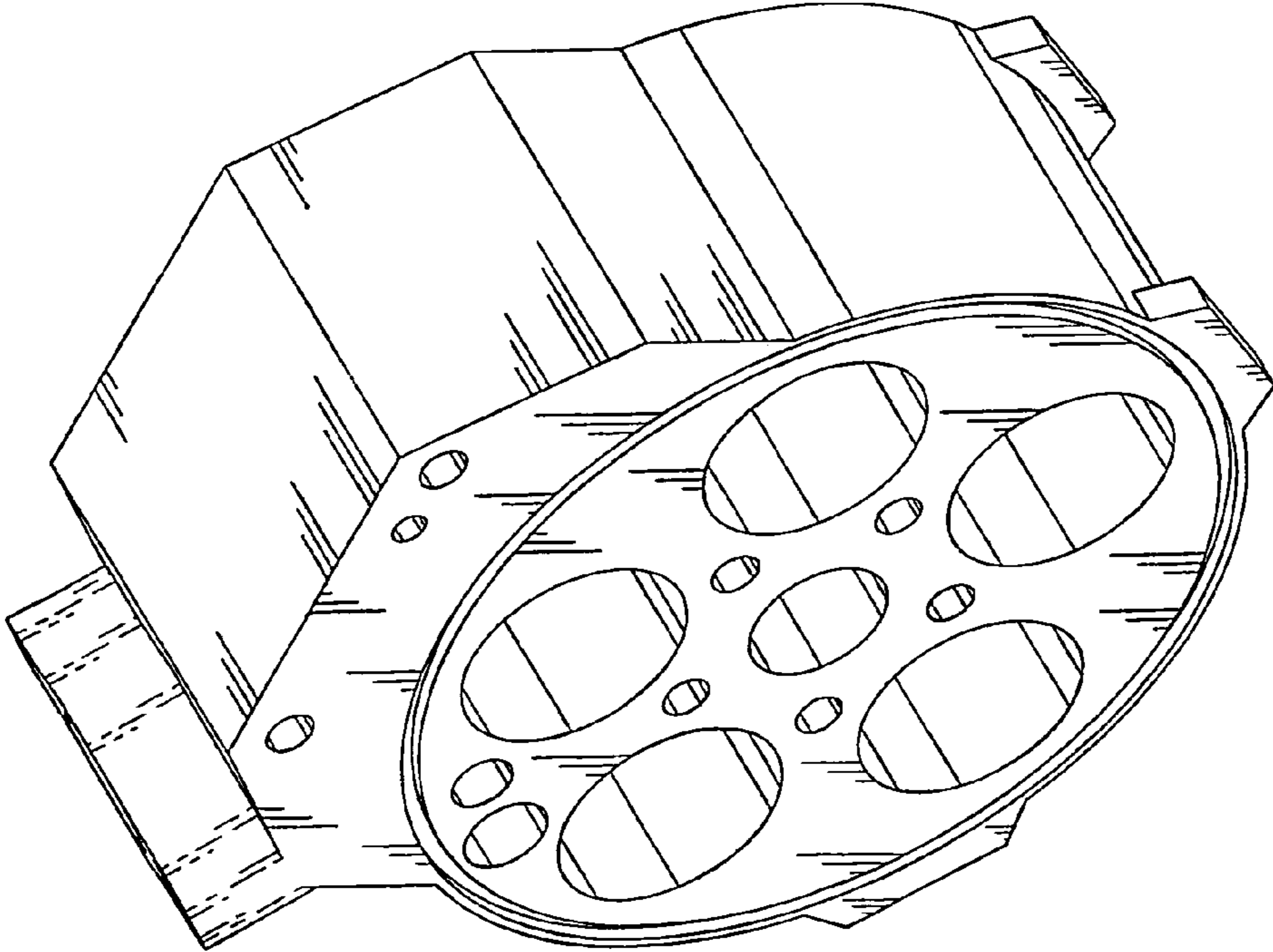


FIG. 8

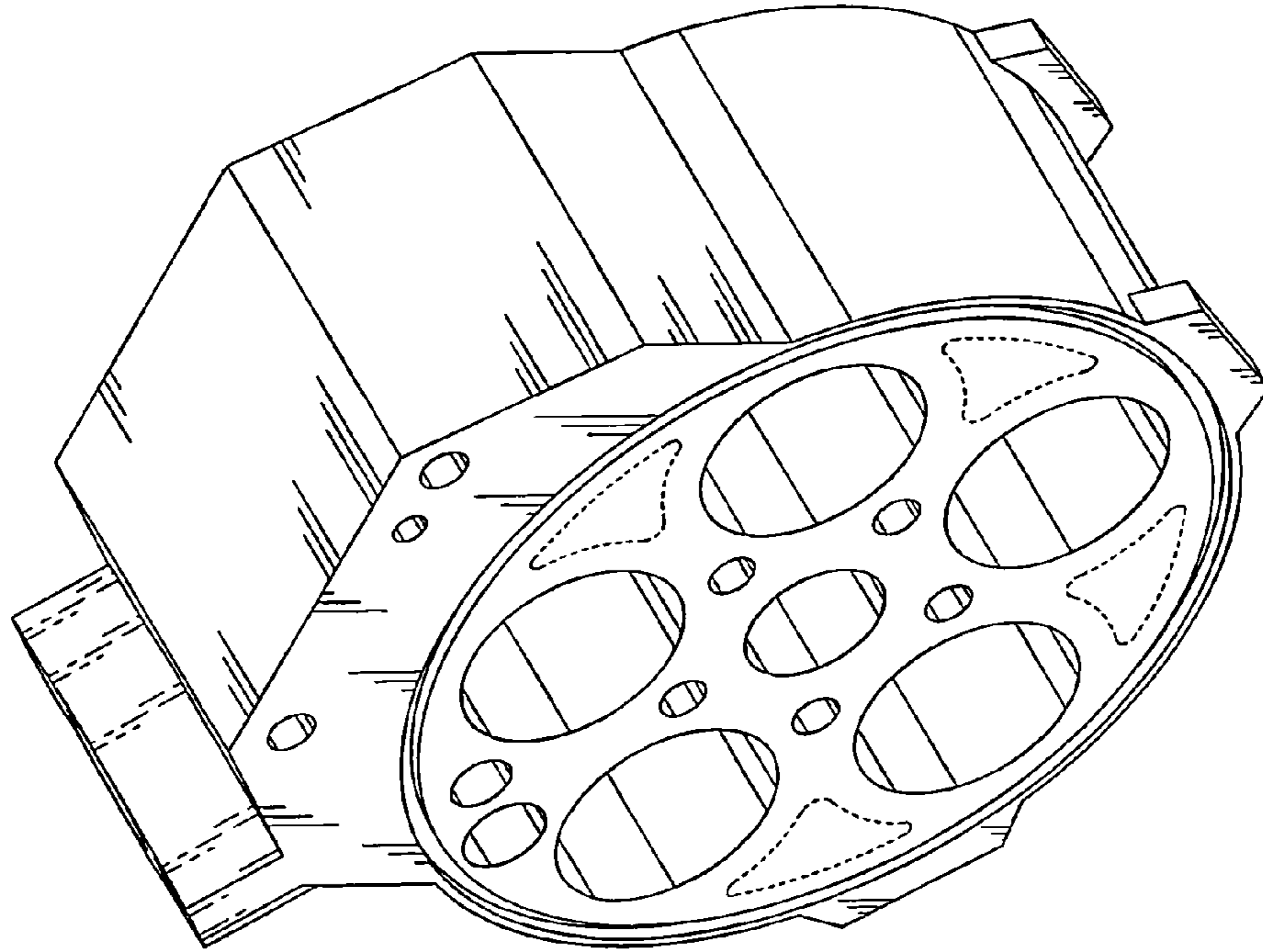


FIG. 11

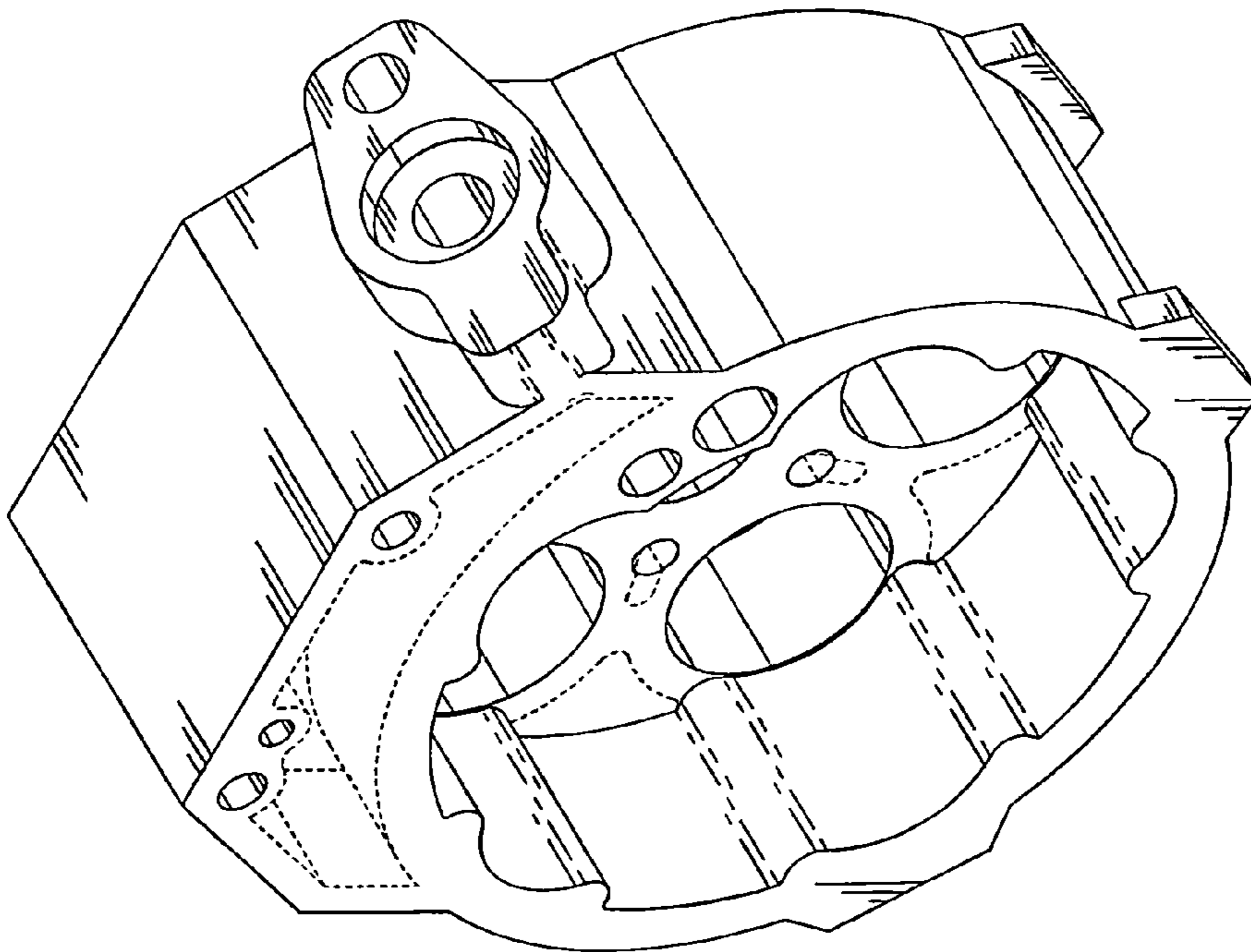


FIG. 10