



US00D685000S

(12) **United States Design Patent**  
**Chen**

(10) **Patent No.:** **US D685,000 S**

(45) **Date of Patent:** **\*\* Jun. 25, 2013**

(54) **HOUSING FOR AIR COMPRESSOR**

(76) Inventor: **Chun Lan Chen**, Xingling (CN)

(\*\*) Term: **14 Years**

(21) Appl. No.: **29/431,767**

(22) Filed: **Sep. 11, 2012**

(51) **LOC (9) Cl.** ..... **15-02**

(52) **U.S. Cl.**  
USPC ..... **D15/9**

(58) **Field of Classification Search**

USPC ..... D15/7-9; D23/231, 232, 225; 417/60,  
417/235, 265, 321, 355, 358, 363, 359, 410.1,  
417/415-416, 405, 900; 60/408, 412;  
184/26-37; 415/140-147; 123/495, 509; 141/38  
See application file for complete search history.

(56) **References Cited**

**U.S. PATENT DOCUMENTS**

D461,195 S *	8/2002	Kudou et al.	.....	D15/9
D506,763 S *	6/2005	Chu	.....	D15/9
D530,345 S *	10/2006	Chu	.....	D15/9
D532,020 S *	11/2006	Chu	.....	D15/9
D540,351 S *	4/2007	Chu	.....	D15/9
D541,820 S *	5/2007	Chu	.....	D15/9
D541,821 S *	5/2007	Chu	.....	D15/9
D589,063 S *	3/2009	Chu	.....	D15/9
D648,748 S *	11/2011	Chu	.....	D15/9
D659,168 S *	5/2012	Chen	.....	D15/9
D659,169 S *	5/2012	Chen	.....	D15/9
D659,170 S *	5/2012	Chen	.....	D15/9
D659,171 S *	5/2012	Chen	.....	D15/9

\* cited by examiner

*Primary Examiner* — Ralf Seifert

(74) *Attorney, Agent, or Firm* — Charles E. Baxley

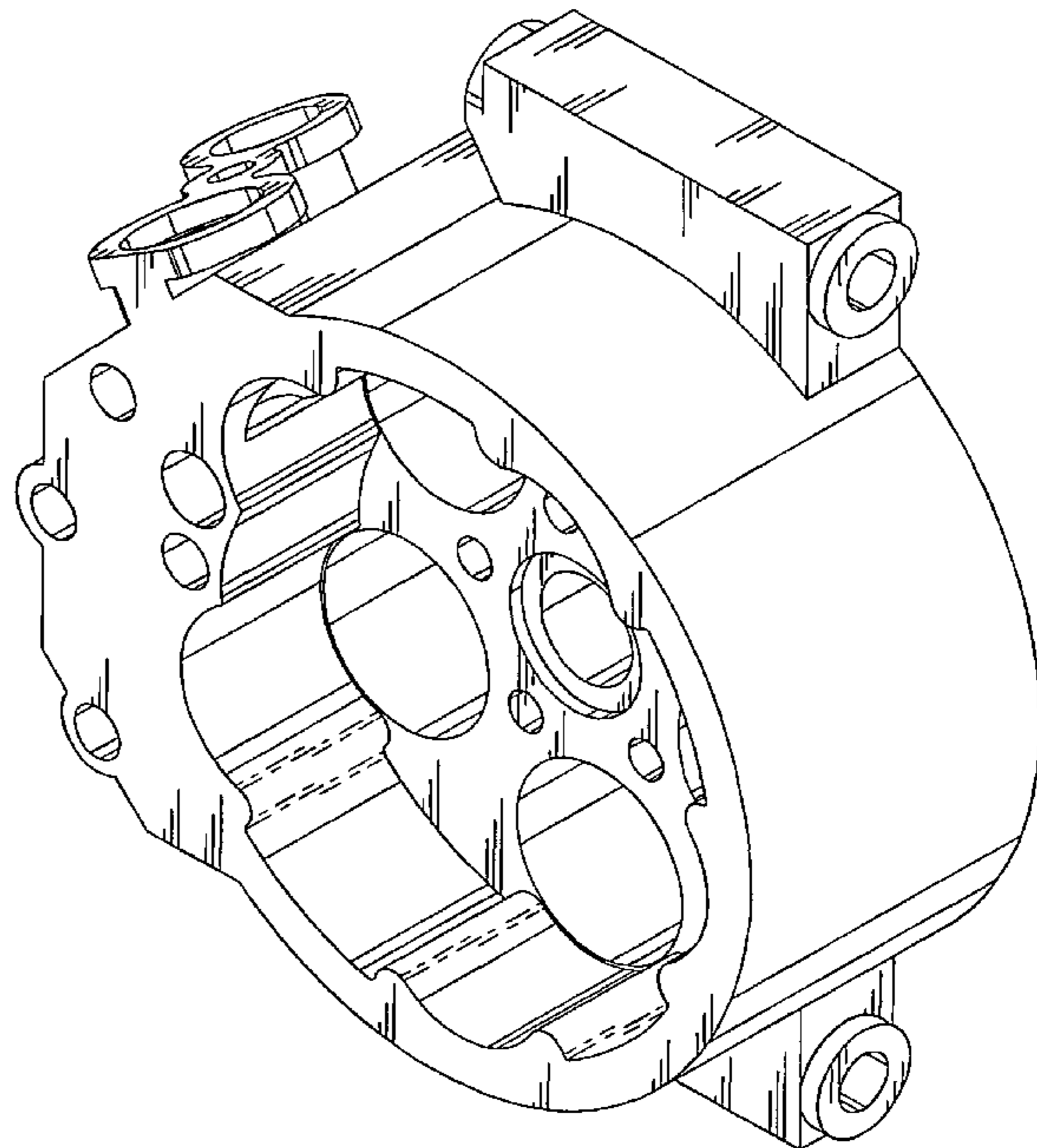
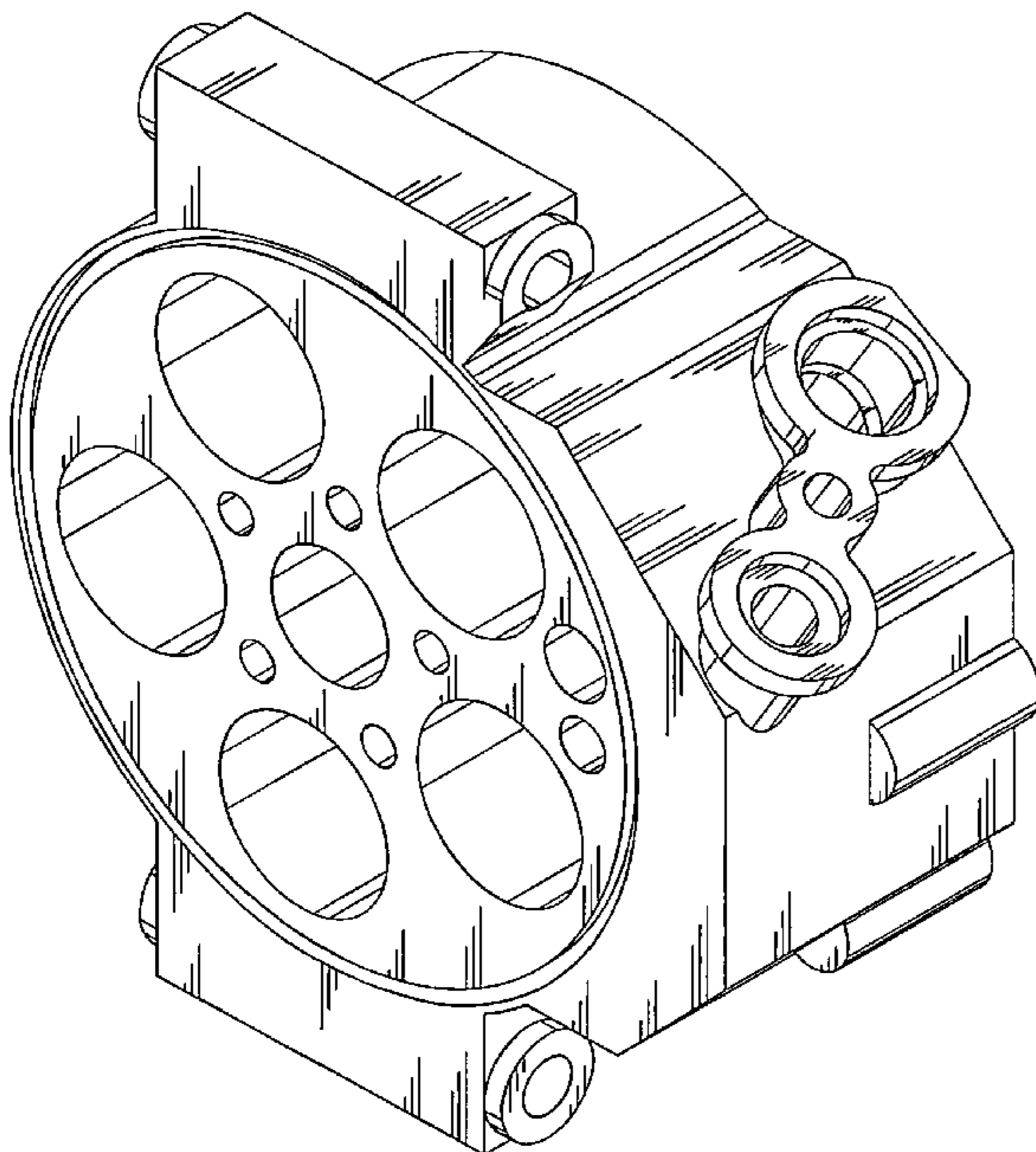
(57) **CLAIM**

The ornamental design for a housing for air compressor, as shown and described.

**DESCRIPTION**

FIG. 1 is a front perspective view of a housing for air compressor showing my new design;  
FIG. 2 is a front elevational view thereof;  
FIG. 3 is a rear elevational view thereof;  
FIG. 4 is a top plan view thereof;  
FIG. 5 is a bottom plan view thereof;  
FIG. 6 is a left side elevational view thereof;  
FIG. 7 is a right side elevational view thereof;  
FIG. 8 is a rear and upper perspective view thereof;  
FIG. 9 is a rear and bottom perspective view thereof;  
FIG. 10 is a front perspective view thereof, the openings and the ribs or protrusions depicted by means of broken lines being for illustrative purposes only and forming no part of the claimed design; and,  
FIG. 11 is a rear and upper perspective view thereof, the openings and the ribs or protrusions depicted by means of broken lines being for illustrative purposes only and forming no part of the claimed design.

**1 Claim, 9 Drawing Sheets**



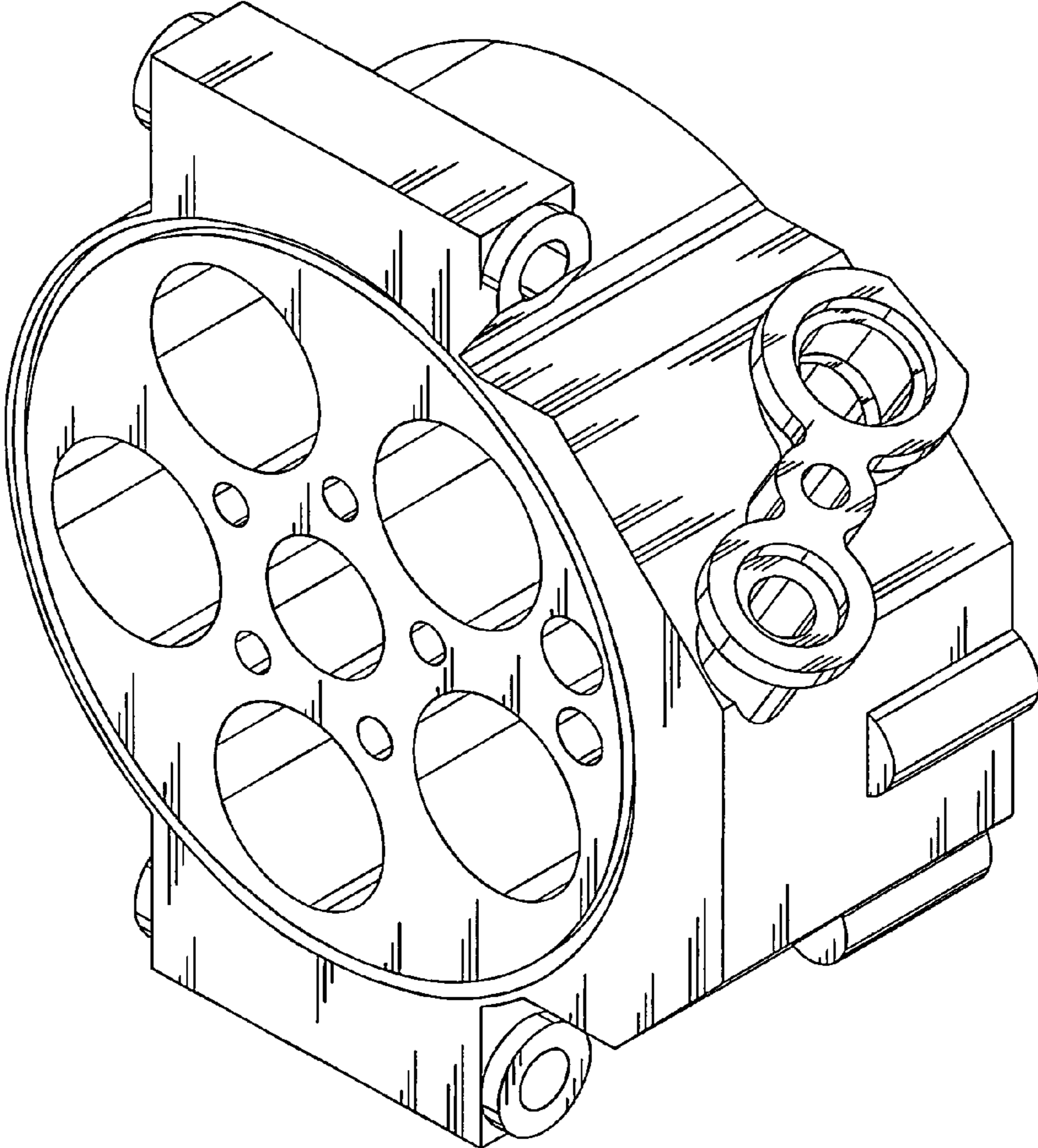


FIG. 1

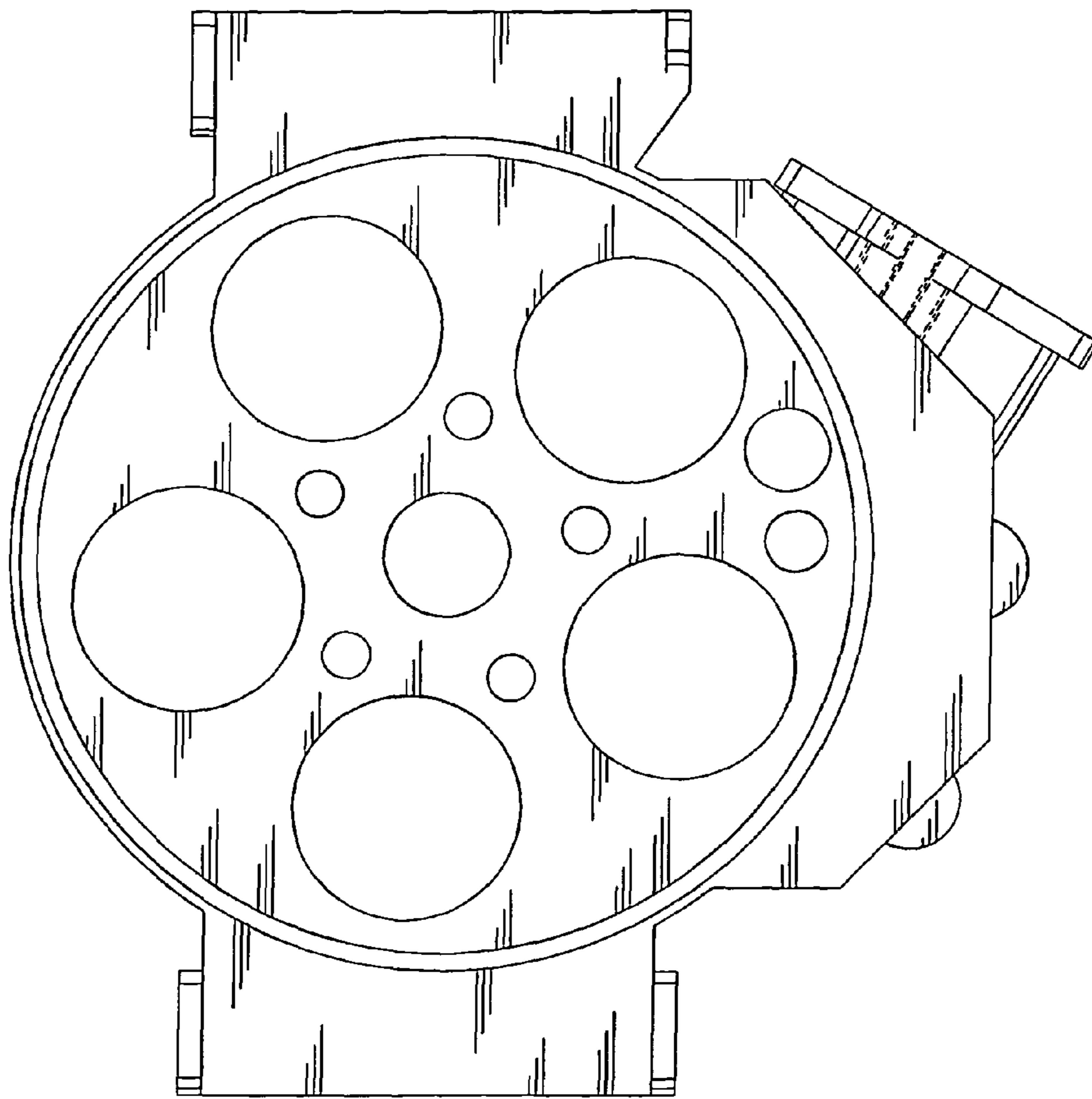


FIG. 2

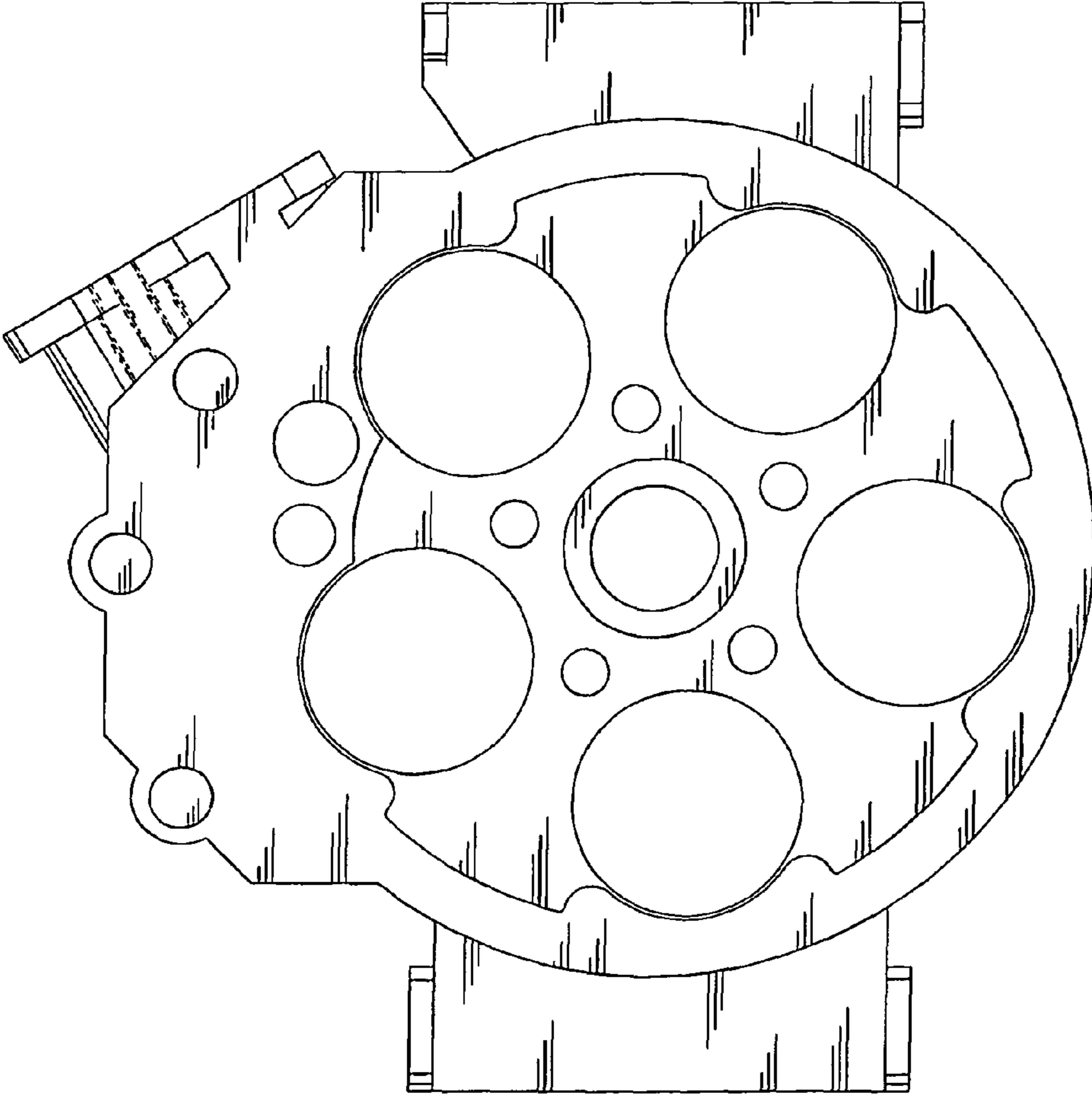


FIG. 3



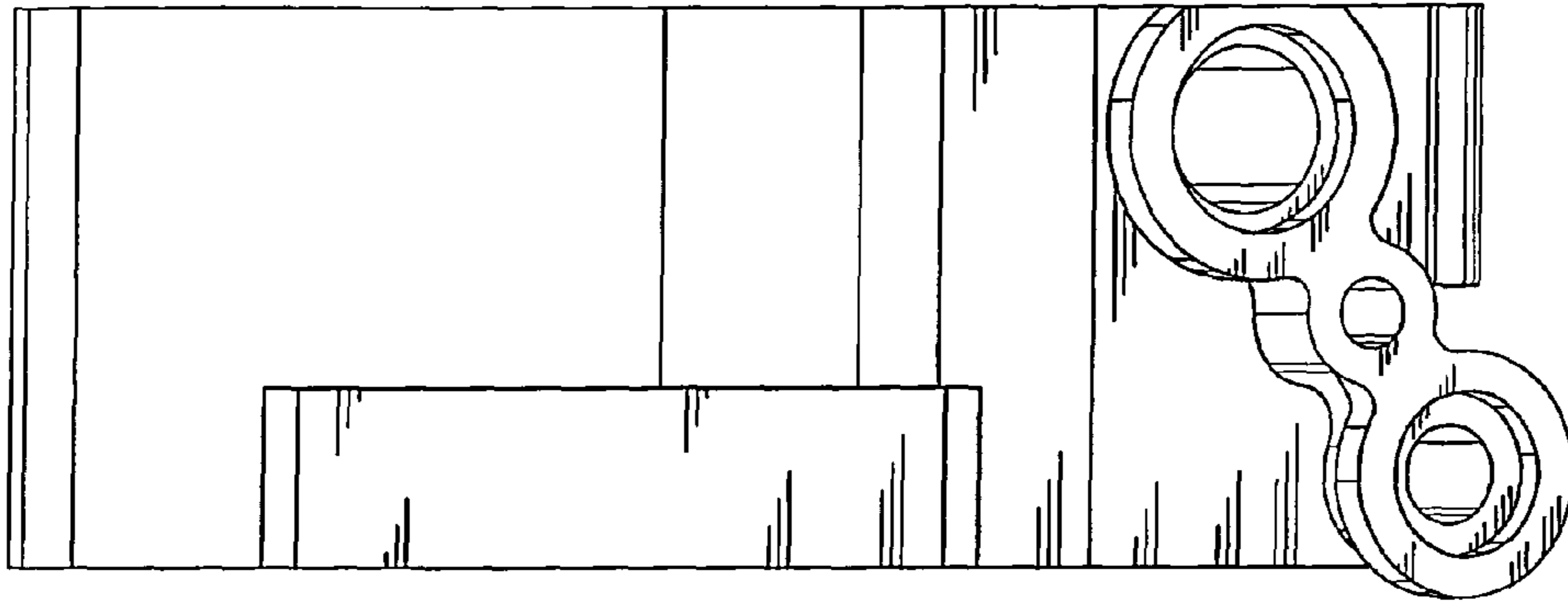


FIG. 4

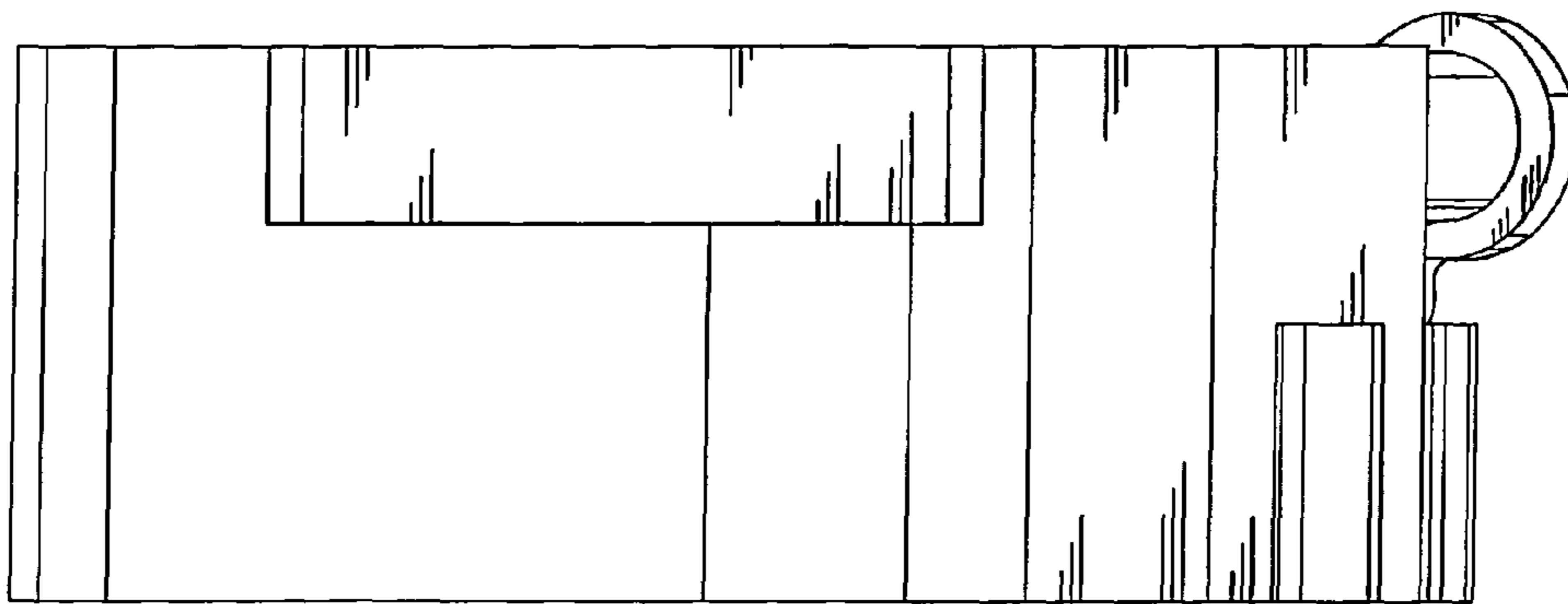


FIG. 5

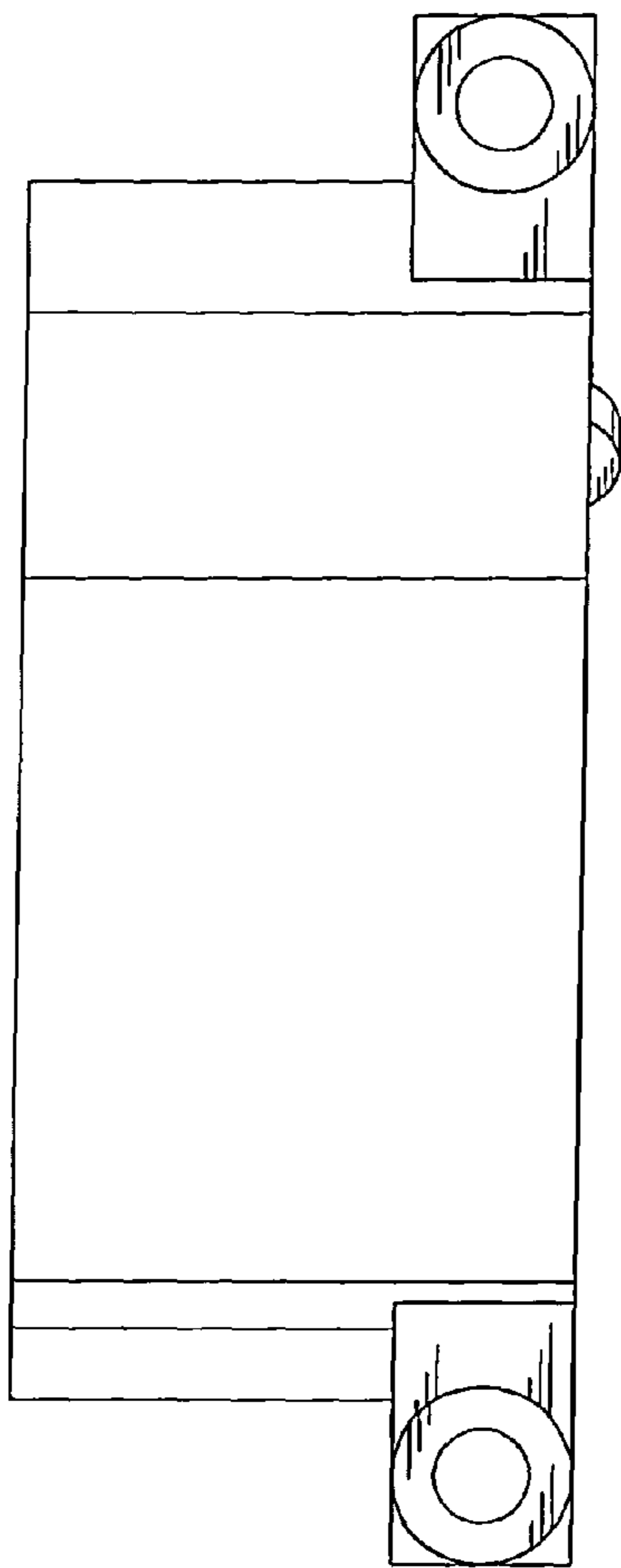


FIG. 6

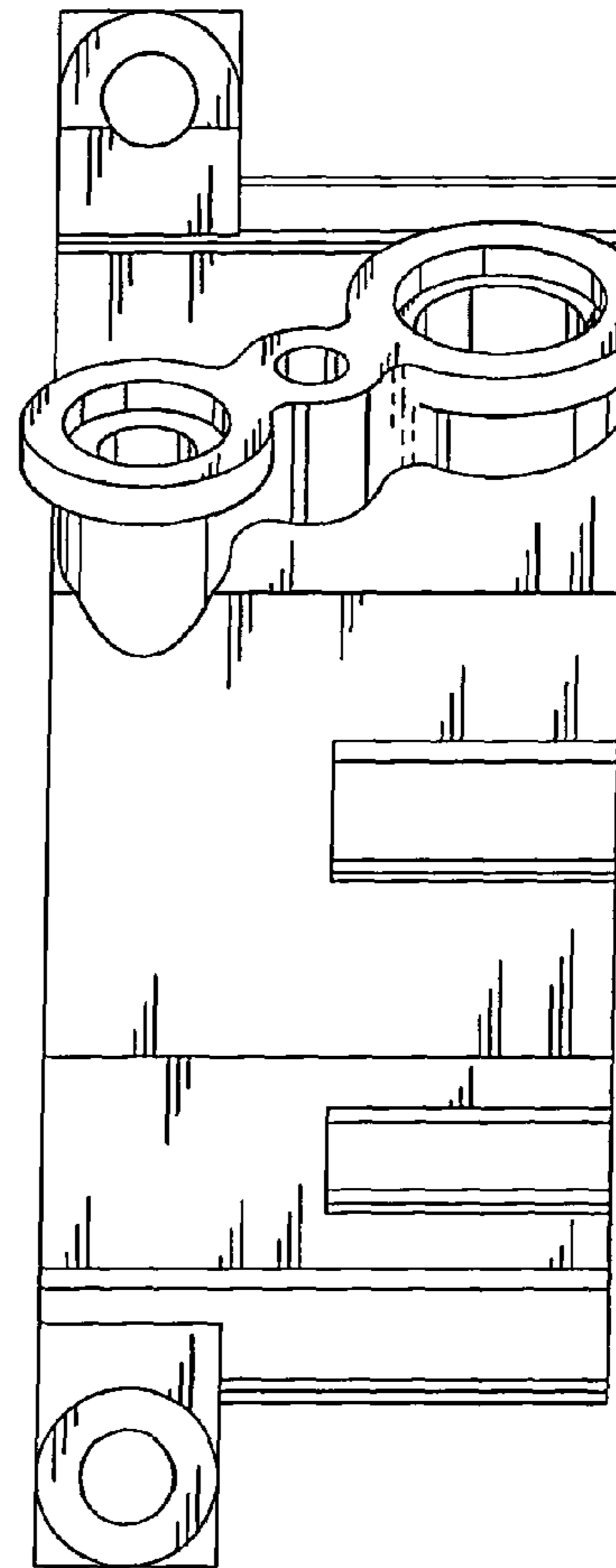


FIG. 7

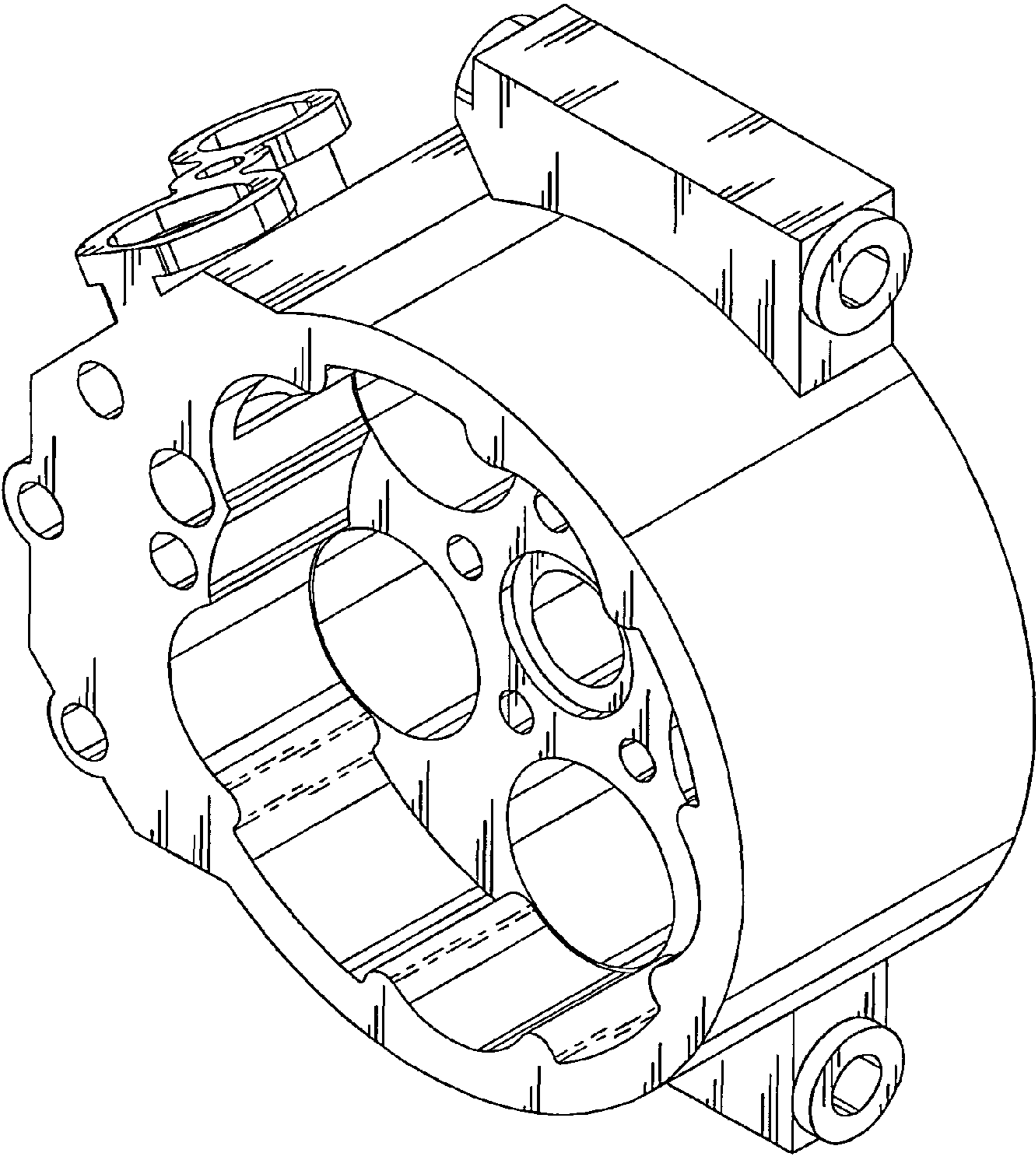


FIG. 8

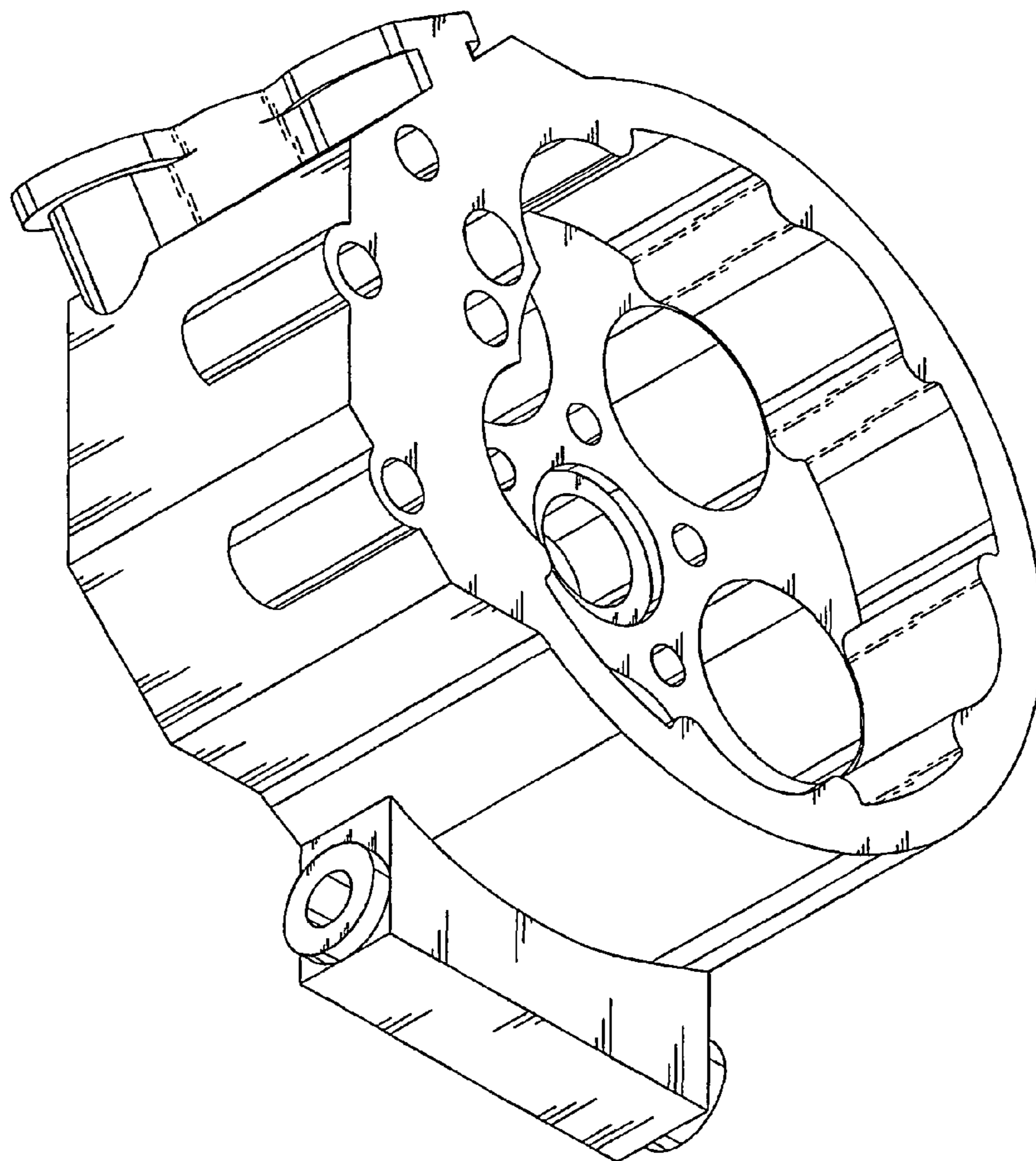


FIG. 9



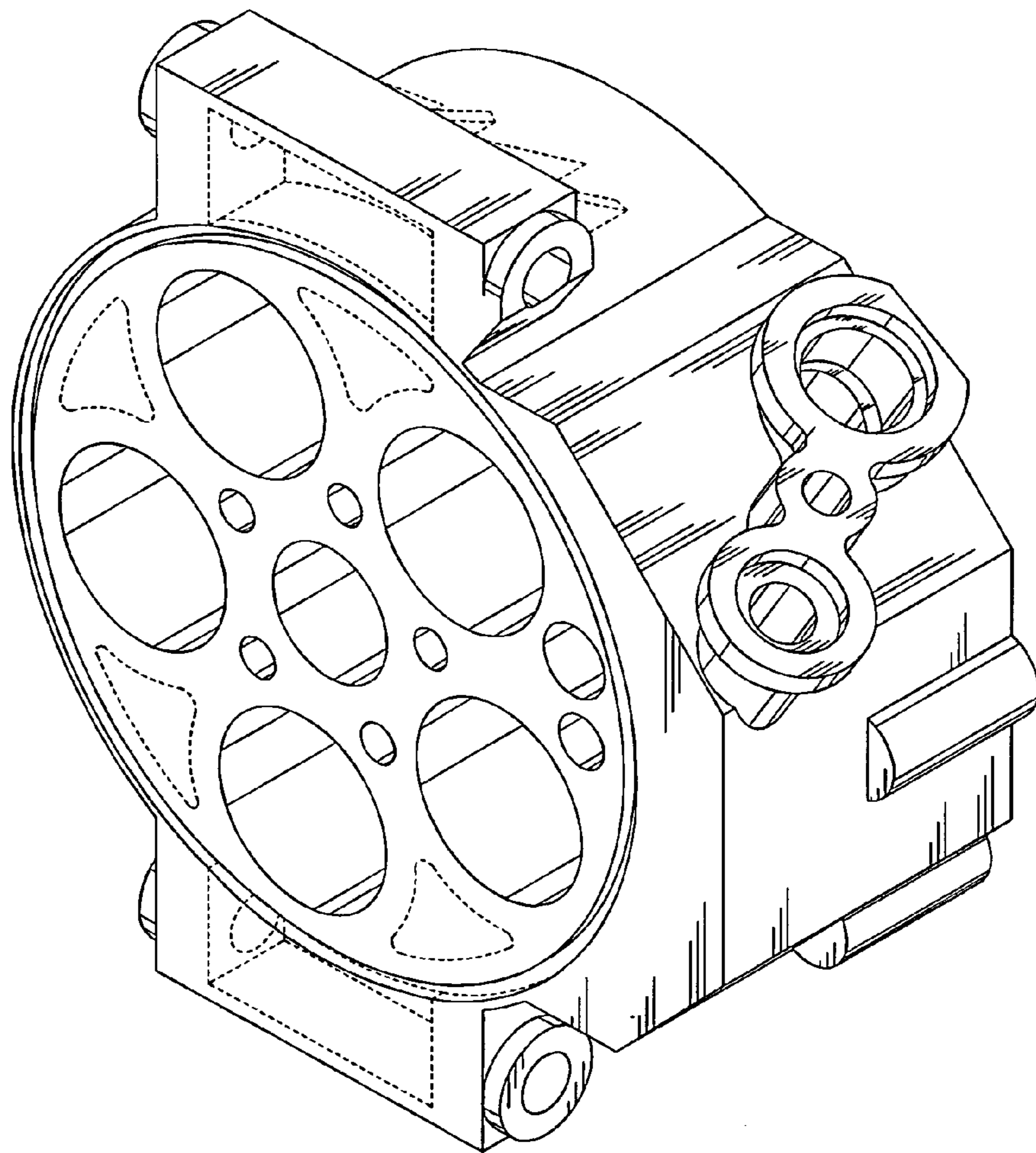


FIG. 10

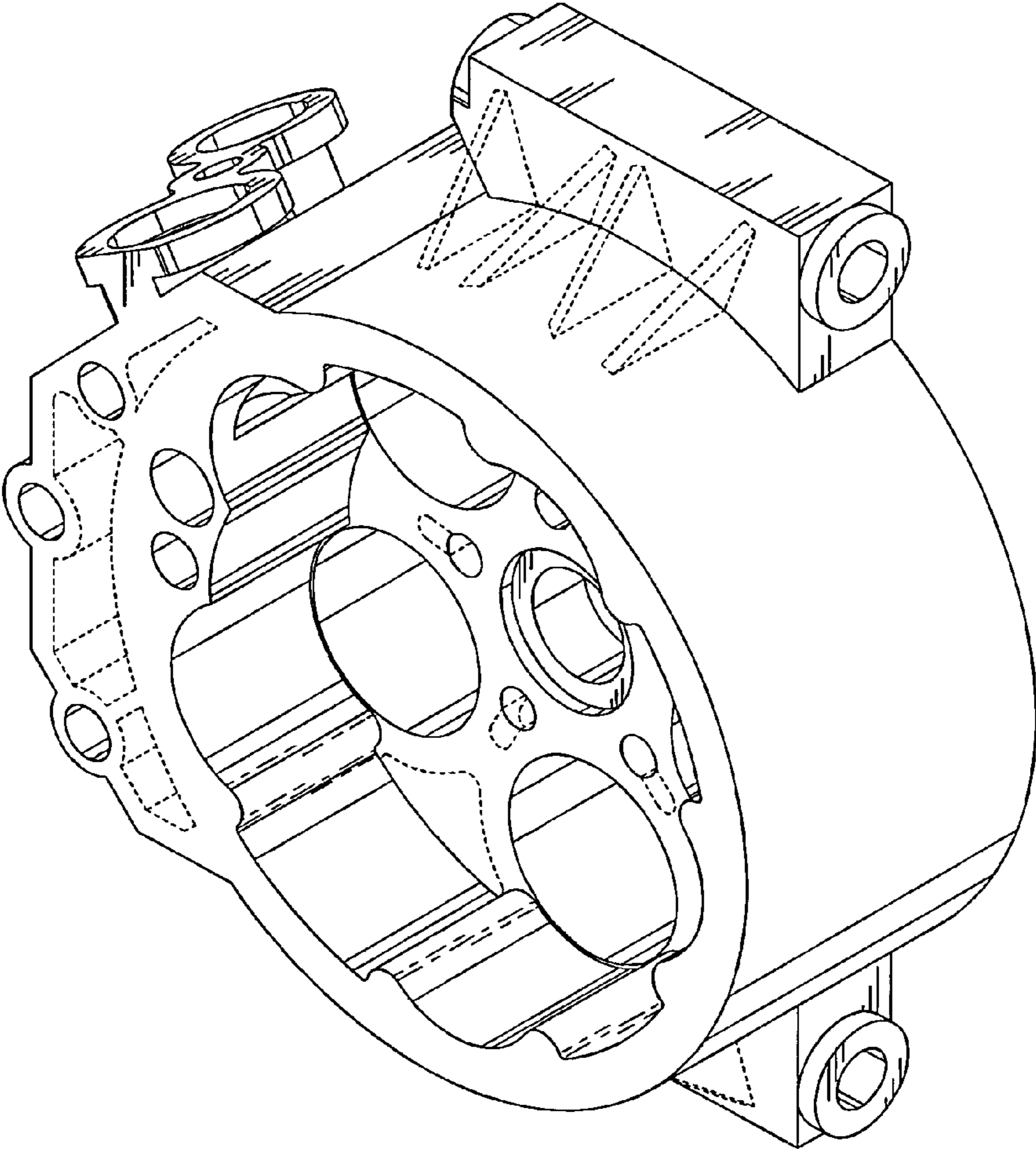


FIG. 11