



US00D684999S

(12) **United States Design Patent**
Osaka et al.

(10) **Patent No.:** **US D684,999 S**
(45) **Date of Patent:** **** Jun. 25, 2013**

(54) **VACUUM PUMP**

- (71) Applicant: **Ulvac Kiko, Inc.**, Miyazaki (JP)
- (72) Inventors: **Taisuke Osaka**, Miyazaki (JP); **Yusaku Tanabe**, Miyazaki (JP)
- (73) Assignee: **Ulvac Kiko, Inc.**, Miyazaki (JP)
- (**) Term: **14 Years**
- (21) Appl. No.: **29/444,227**
- (22) Filed: **Jan. 28, 2013**

Related U.S. Application Data

- (63) Continuation of application No. 29/426,004, filed on Jun. 29, 2012.

Foreign Application Priority Data

- Jan. 10, 2012 (JP) 2012-000251
- Jan. 10, 2012 (JP) 2012-000252
- (51) **LOC (9) Cl.** **15-02**
- (52) **U.S. Cl.**
USPC **D15/7**
- (58) **Field of Classification Search**
USPC D15/7-9; D23/231, 232, 225; 417/60, 417/235, 265, 321, 355, 358, 363, 359, 410.1, 417/415-416, 405, 900, 43, 554; 60/408, 60/412; 184/26-37; 415/140-147; 123/495, 123/509; 166/105.1, 105.2, 311
See application file for complete search history.

(56) **References Cited**

U.S. PATENT DOCUMENTS

D377,967 S	2/1997	Rozek et al.	
D379,996 S	6/1997	Leu et al.	
D382,883 S	8/1997	Breitzman et al.	
D412,174 S	7/1999	Faulkner et al.	
6,056,521 A *	5/2000	Leu et al.	417/423.14
D499,119 S	11/2004	Thomas, Jr. et al.	
D532,796 S	11/2006	Leu	
D613,633 S	4/2010	Leu et al.	
D621,418 S *	8/2010	Leu et al.	D15/7
D668,268 S	10/2012	Haener et al.	

* cited by examiner

Primary Examiner — Ralf Seifert

(74) *Attorney, Agent, or Firm* — Saliwanchik, Lloyd & Eisenschenk

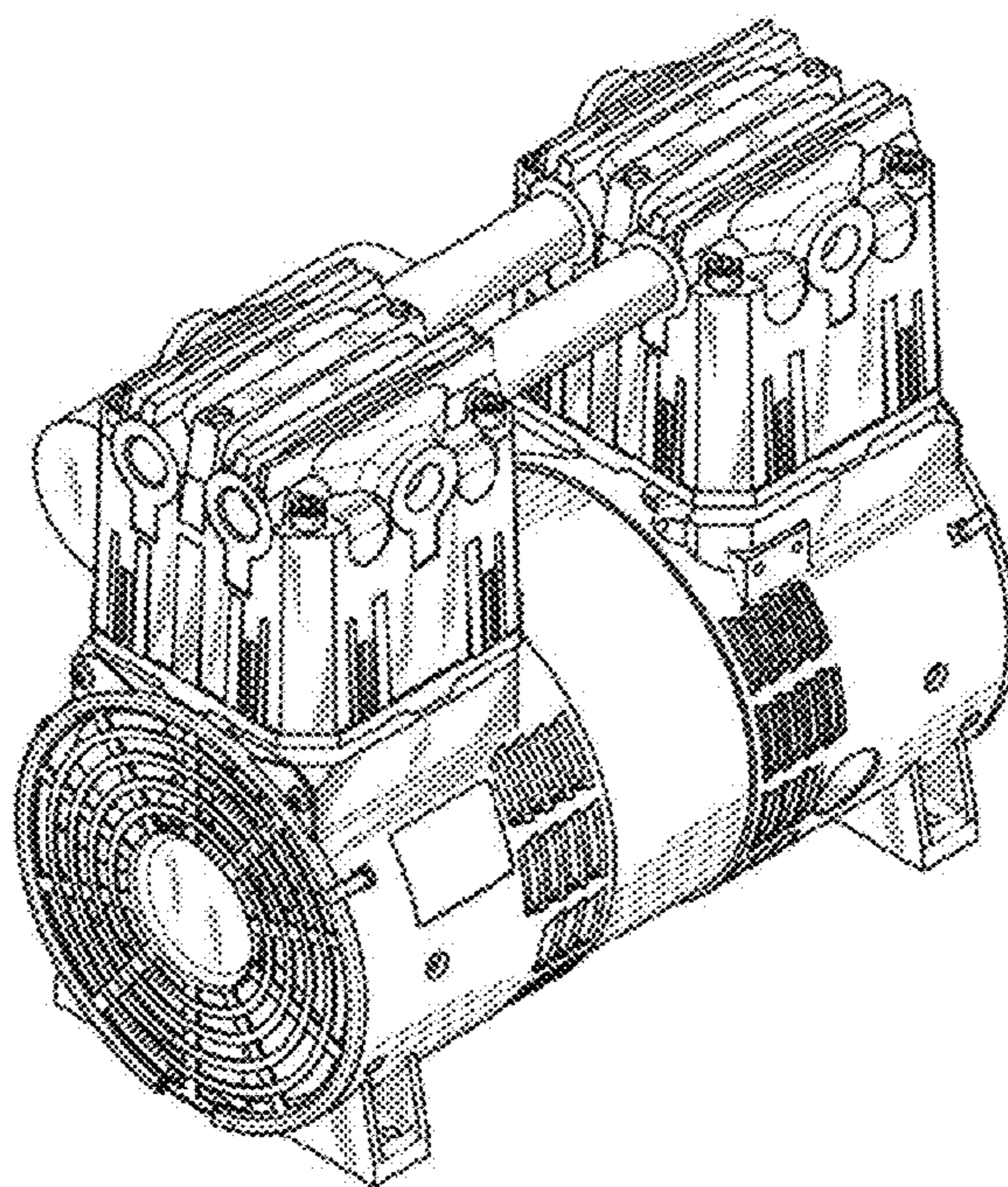
(57) **CLAIM**

The ornamental design for a vacuum pump, as shown and described.

DESCRIPTION

FIG. 1 is a front, top and right side perspective view of a vacuum pump showing our new design;
 FIG. 2 is a rear, top and left side perspective view thereof;
 FIG. 3 is a front elevational view thereof;
 FIG. 4 is a rear elevational view thereof;
 FIG. 5 is a right side elevational view thereof;
 FIG. 6 is a left side elevational view thereof;
 FIG. 7 is a top plan view thereof; and,
 FIG. 8 is a bottom plan view thereof.

1 Claim, 4 Drawing Sheets



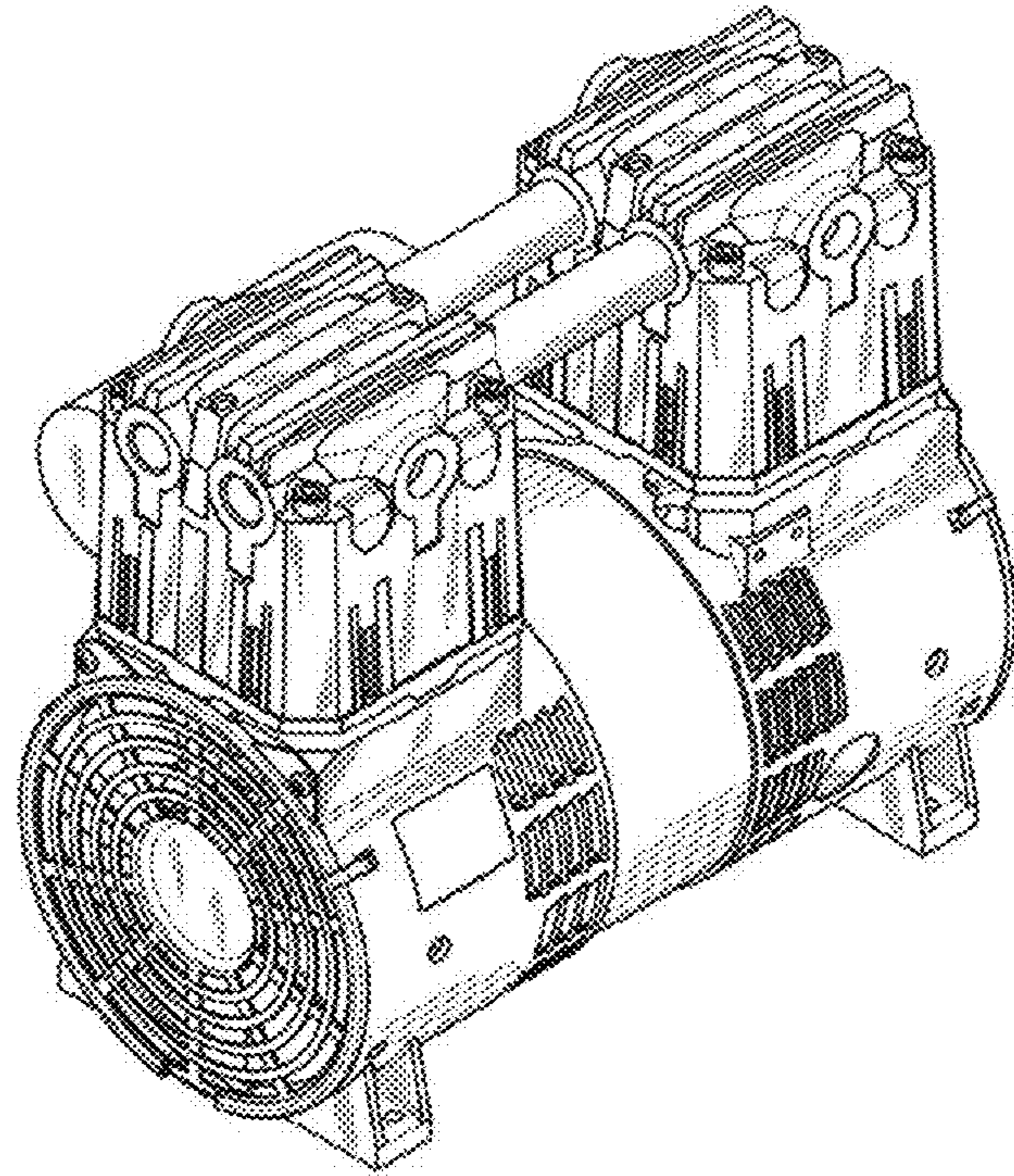


FIG. 1

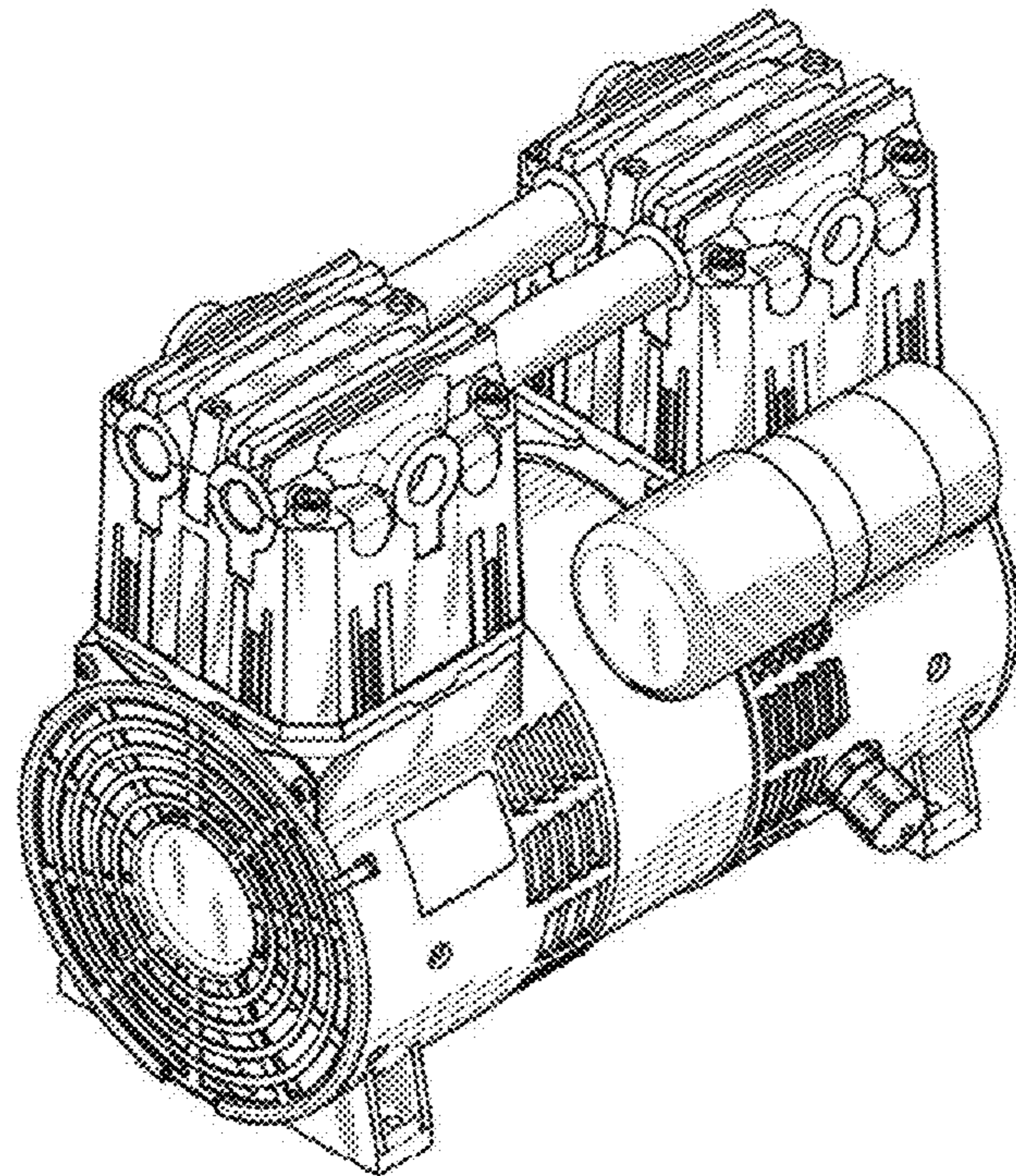


FIG. 2

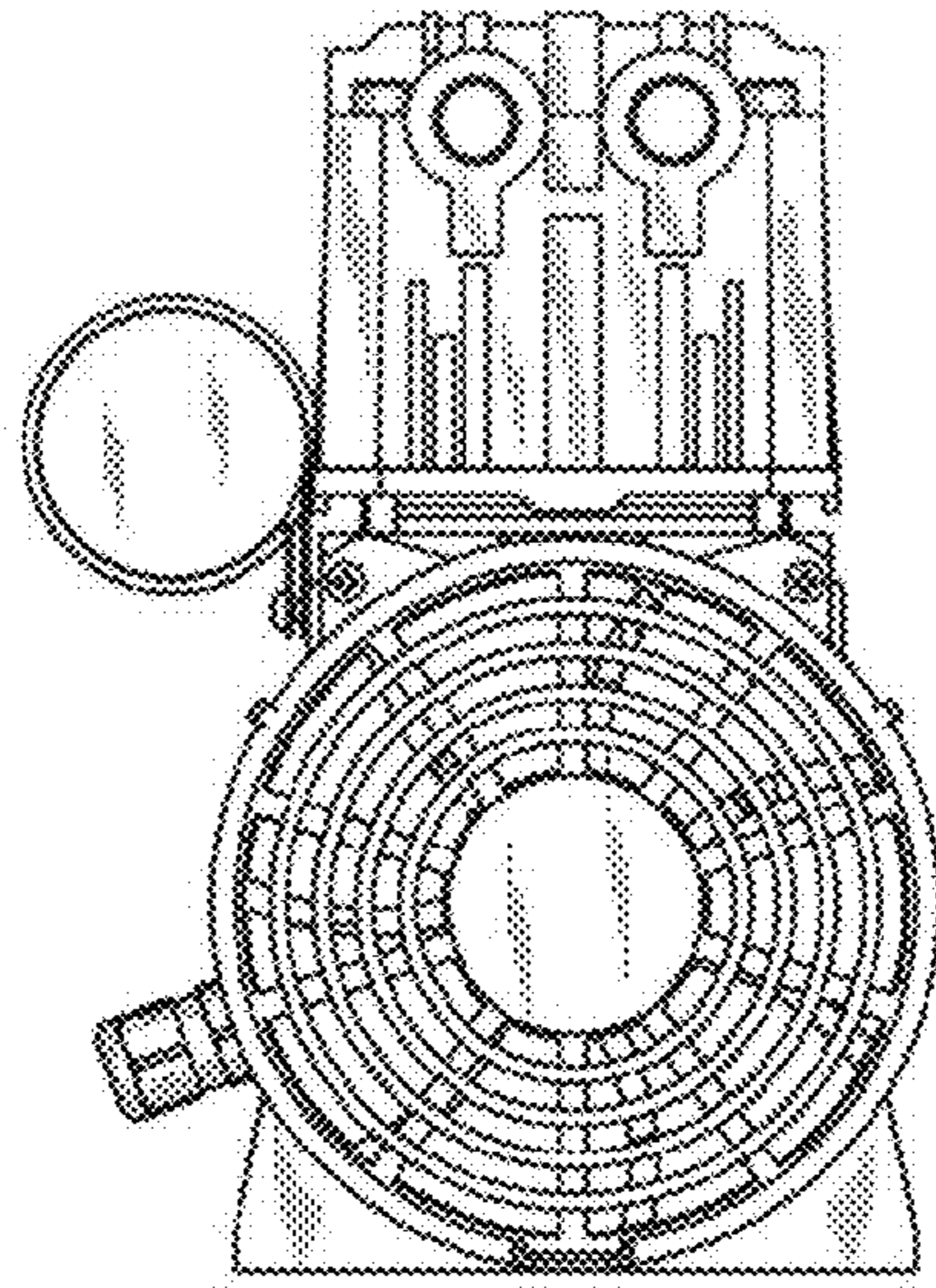


FIG. 3

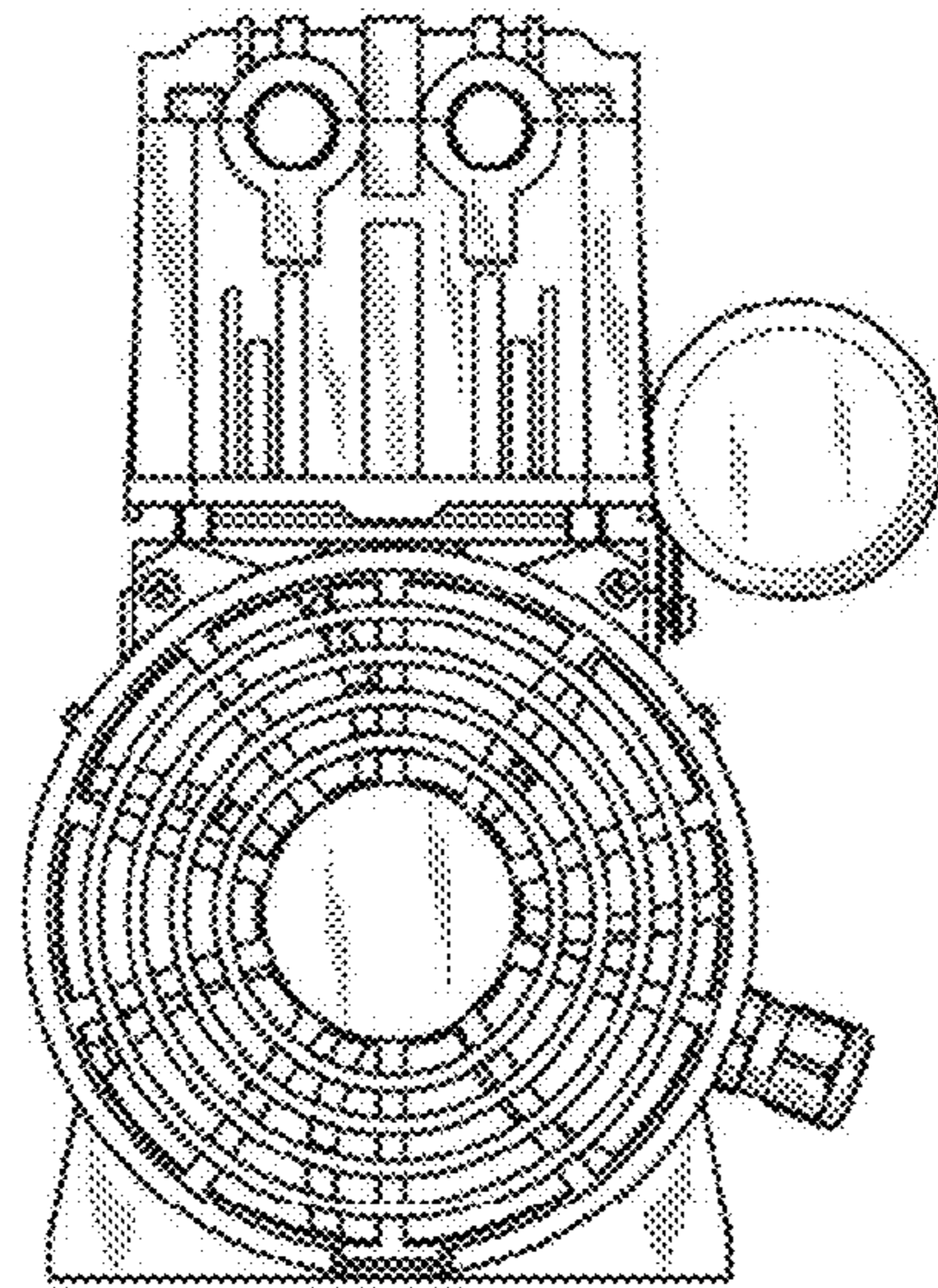


FIG. 4

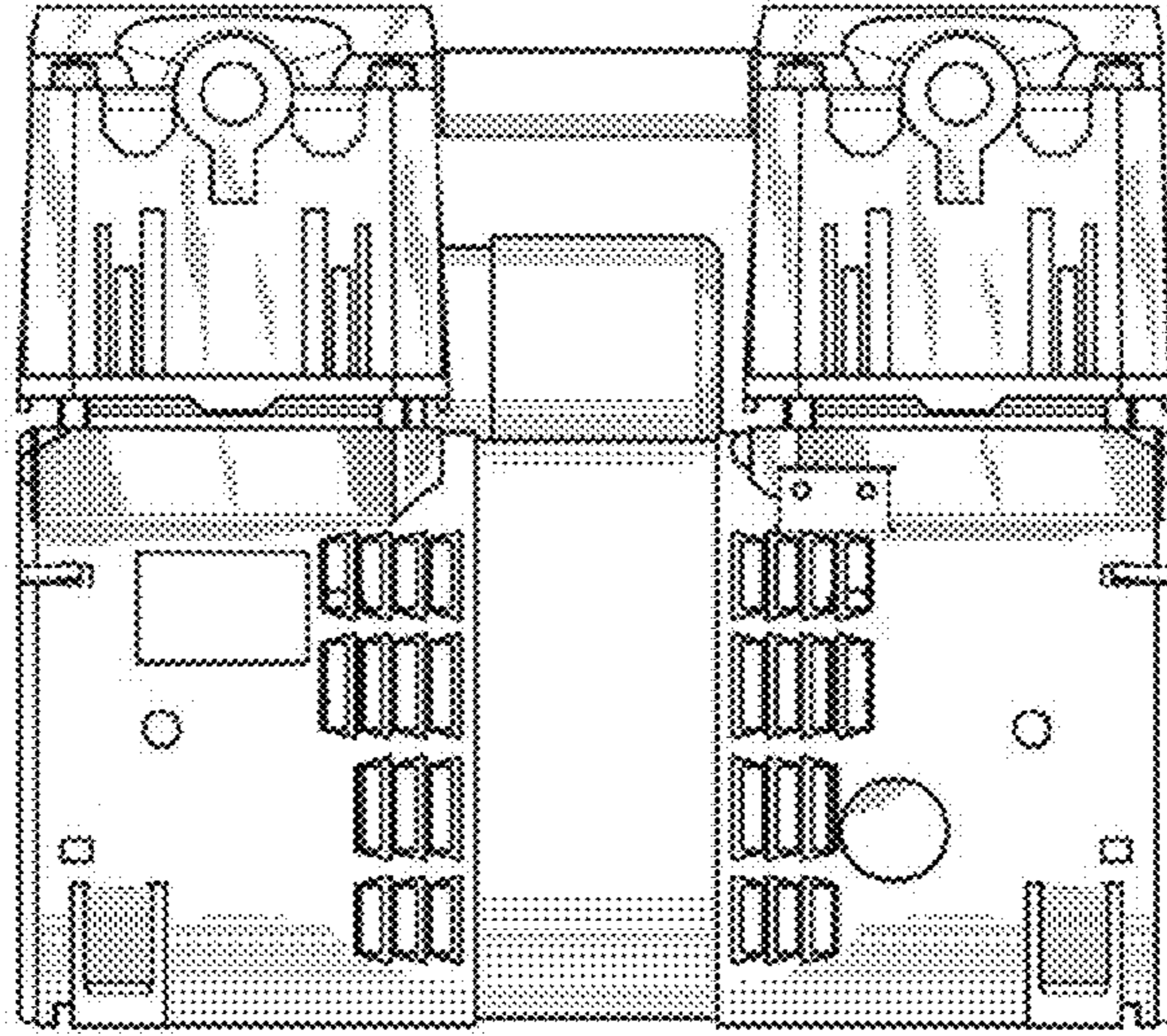


FIG. 5

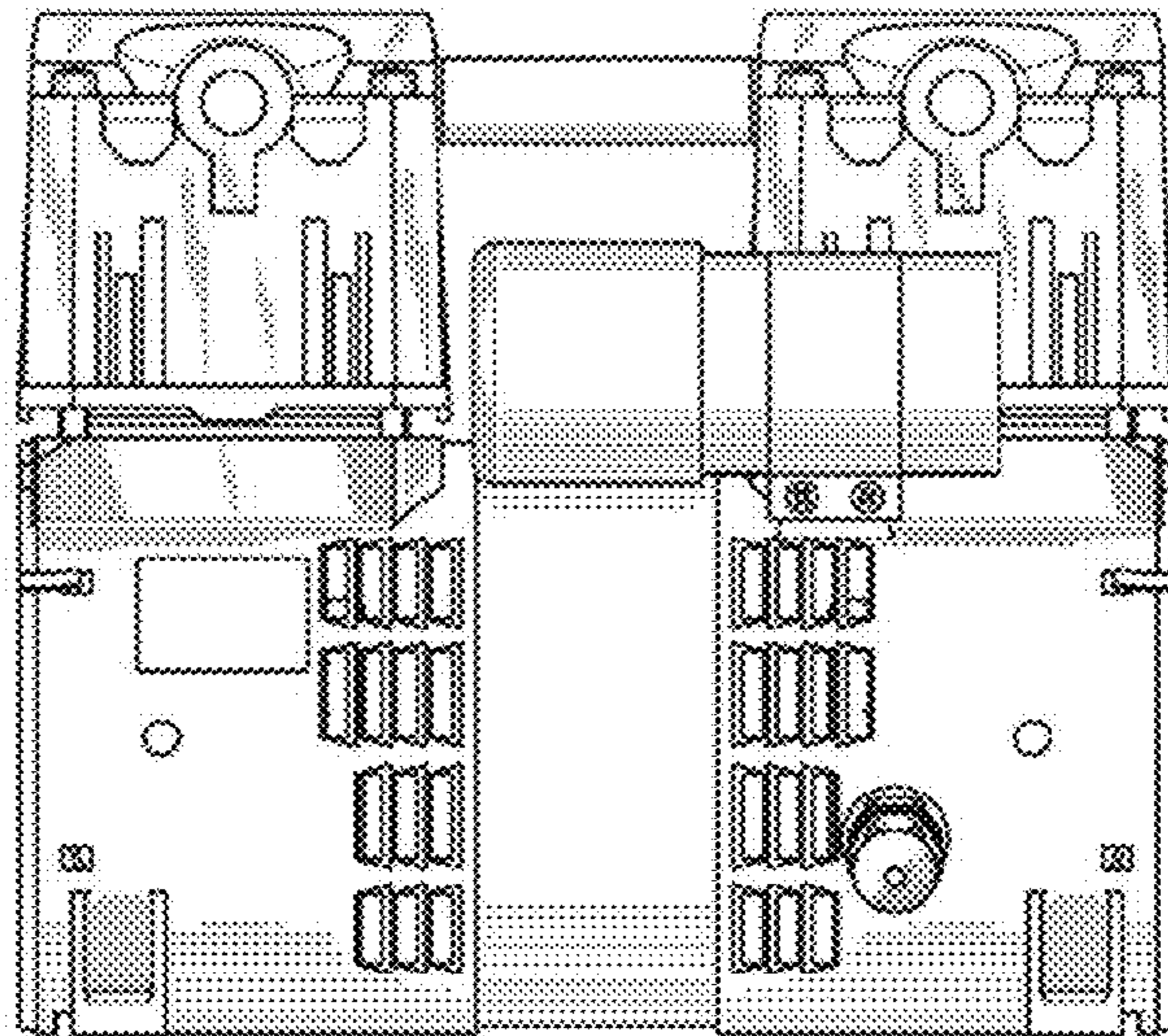


FIG. 6

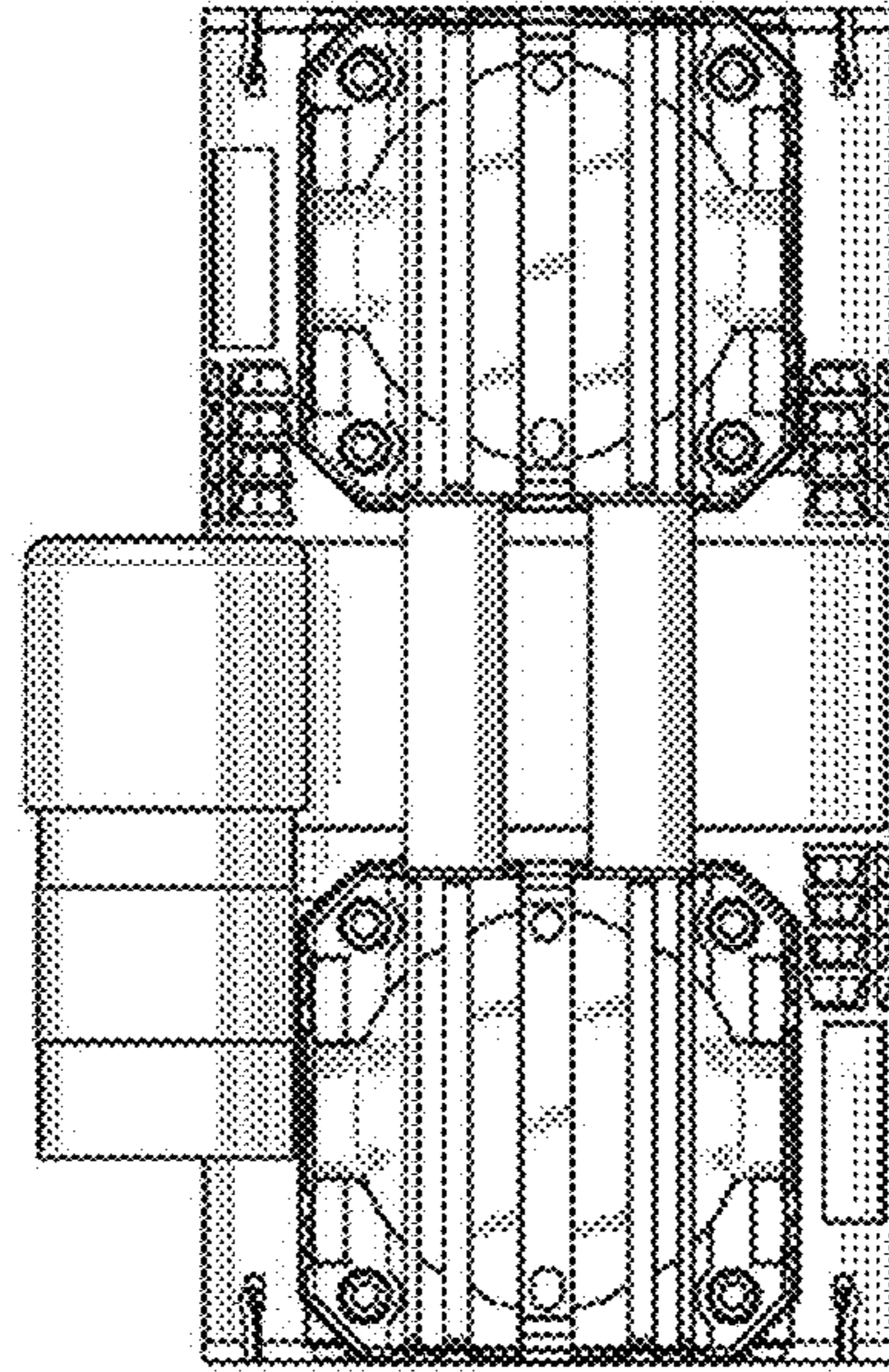


FIG. 7

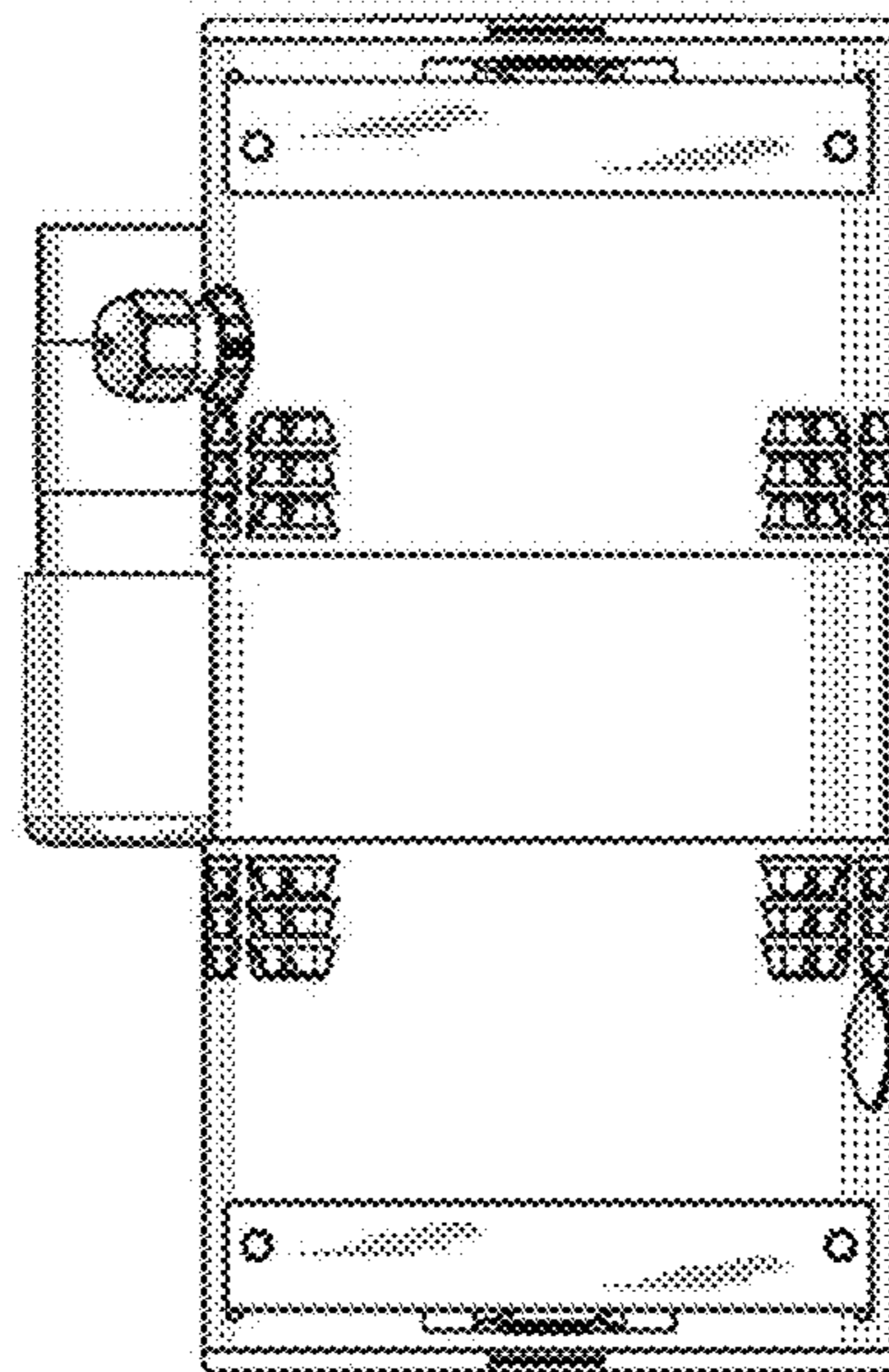


FIG. 8