



US00D684998S

(12) **United States Design Patent**
Southwood et al.

(10) **Patent No.:** **US D684,998 S**
(45) **Date of Patent:** **** Jun. 25, 2013**

(54) **FUEL TRANSFER PUMP**

(75) Inventors: **Julie Ann Southwood**, Leo, IN (US);
Brock E. Holley, Fort Wayne, IN (US);
Mark Lampe, Carmel, IN (US)

(73) Assignee: **Tuthill Corporation**, Fort Wayne, IN (US)

(**) Term: **14 Years**

(21) Appl. No.: **29/426,758**

(22) Filed: **Jul. 10, 2012**

(51) **LOC (9) Cl.** **15-02**

(52) **U.S. Cl.**
USPC **D15/7**

(58) **Field of Classification Search**
USPC D15/7-9; D23/231, 232, 225; 417/60,
417/235, 265, 321, 355, 358, 363, 359, 410.1,
417/415-416, 405, 900, 43, 554; 60/408,
60/412; 184/26-37; 415/140-147; 123/495,
123/509; 166/105.1, 105.2, 311
See application file for complete search history.

(56) **References Cited**

U.S. PATENT DOCUMENTS

D319,245 S *	8/1991	Larson	D15/7
D538,826 S	3/2007	Kienzle		
D541,816 S *	5/2007	Puls	D15/7
D541,817 S	5/2007	Puls		
D543,217 S *	5/2007	Puls	D15/7
D589,983 S *	4/2009	Sinico	D15/7
D591,311 S *	4/2009	Tojo	D15/7
D613,769 S	4/2010	Kitamura et al.		
D613,770 S	4/2010	Kitamura et al.		
D629,423 S	12/2010	Varini		

D644,251 S	8/2011	Serita		
D644,555 S	9/2011	Dixon et al.		
D649,561 S *	11/2011	Bauck et al.	D15/7
D650,813 S *	12/2011	Varini	D15/7

OTHER PUBLICATIONS

Admission of Prior Art Declaration of Matt Gevers of Tuthill Corporation.
Drawing of Tuthill 12 Volt DC Pump; Series FR1200C (Heavy Duty) (15 GPM).

* cited by examiner

Primary Examiner — Ralf Seifert

(74) Attorney, Agent, or Firm — Barnes & Thornburg LLP

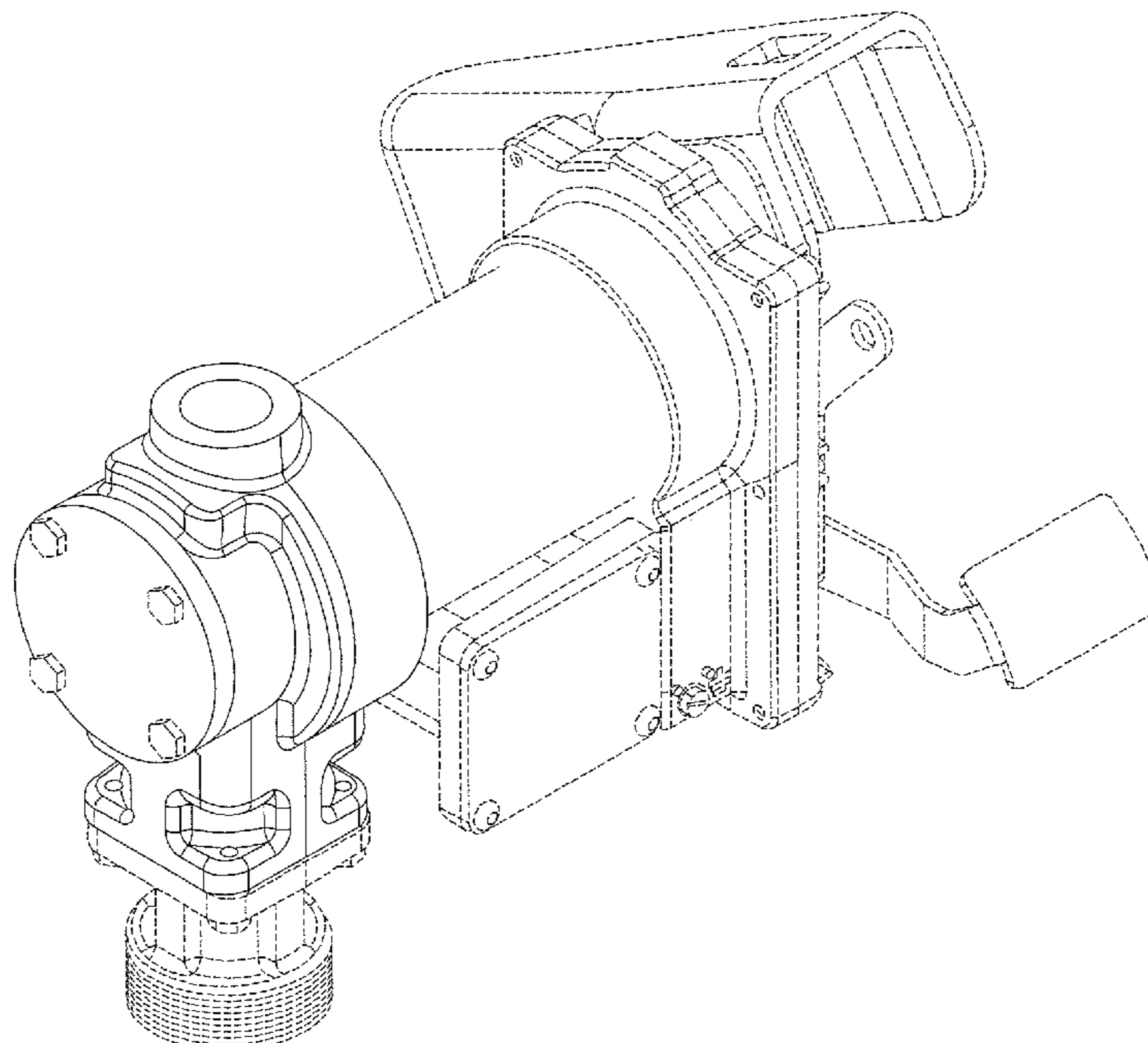
(57) **CLAIM**

The ornamental design for a fuel transfer pump, as shown and described.

DESCRIPTION

FIG. 1 is a perspective view of a fuel transfer pump showing our new design;
FIG. 2 is a rear-perspective view;
FIG. 3 is an underside-perspective view;
FIG. 4 is another underside-perspective view;
FIG. 5 is a back-elevational view;
FIG. 6 is a front-elevational view;
FIG. 7 is a left-side elevational view;
FIG. 8 is a right-side elevational view;
FIG. 9 is a top view; and,
FIG. 10 is an underside view.
The broken lines in FIGS. 1-10 are included purpose of illustrating environmental matter and forms no part of the claimed design.

1 Claim, 10 Drawing Sheets



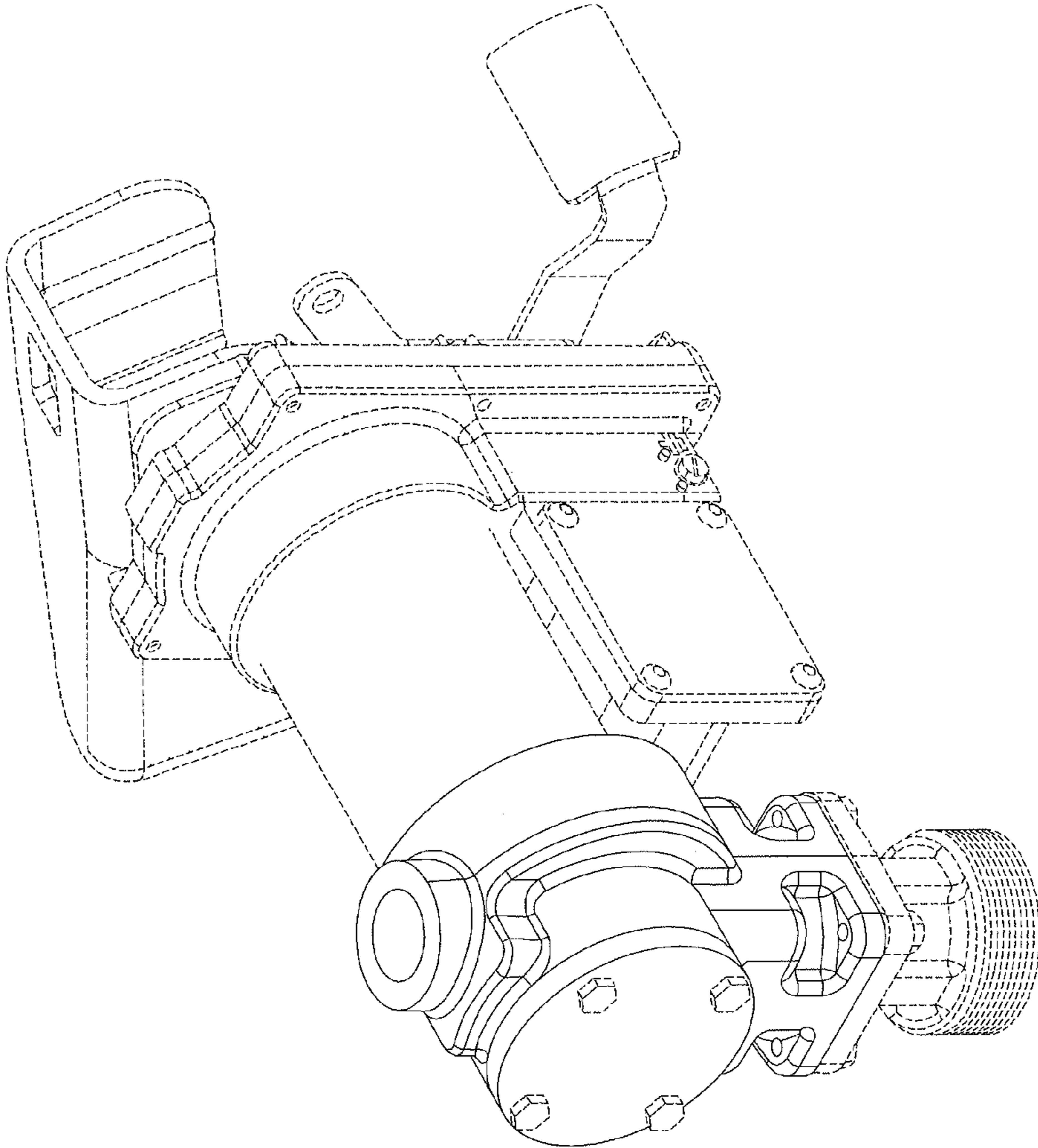


FIG. 1

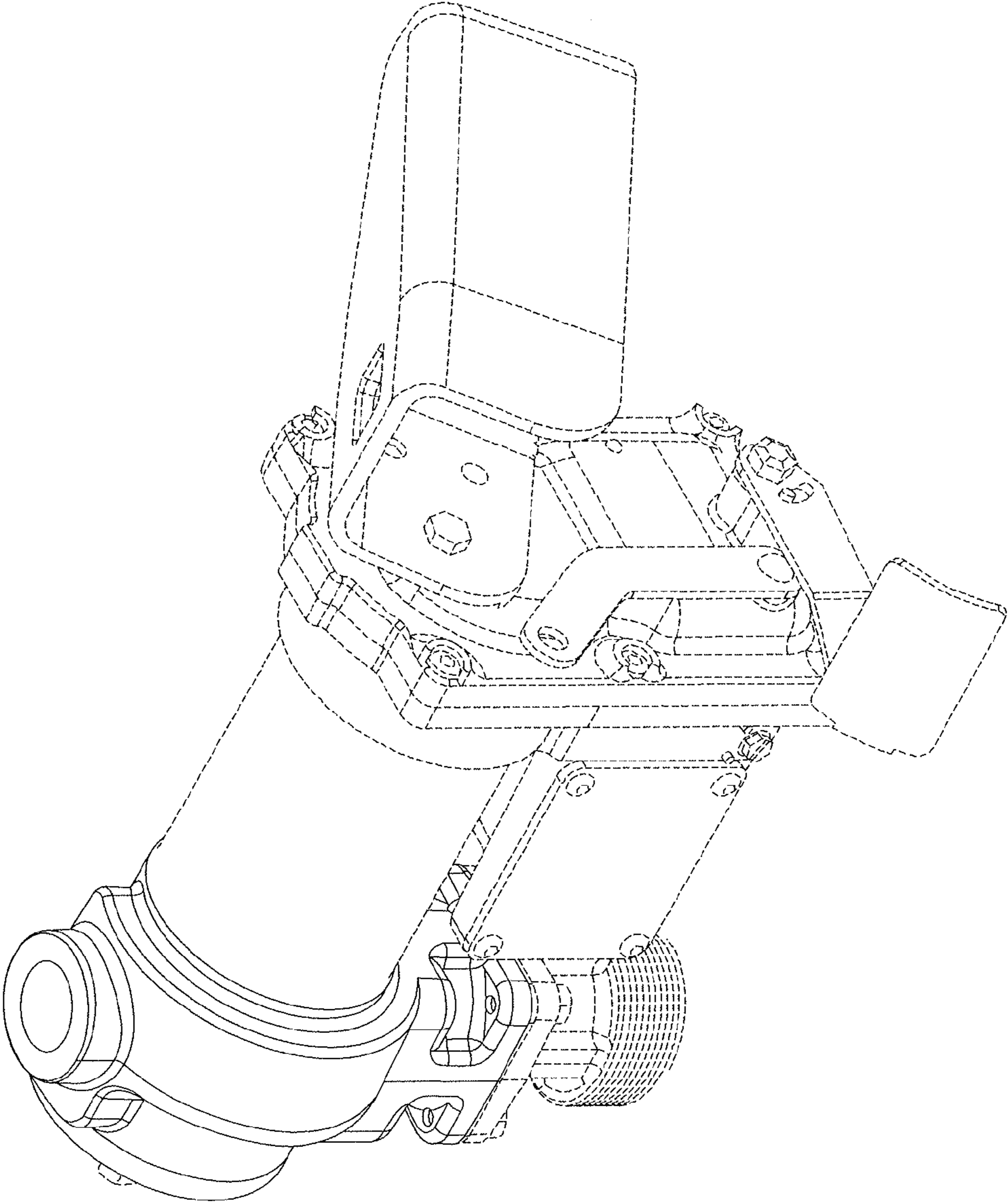


FIG. 2

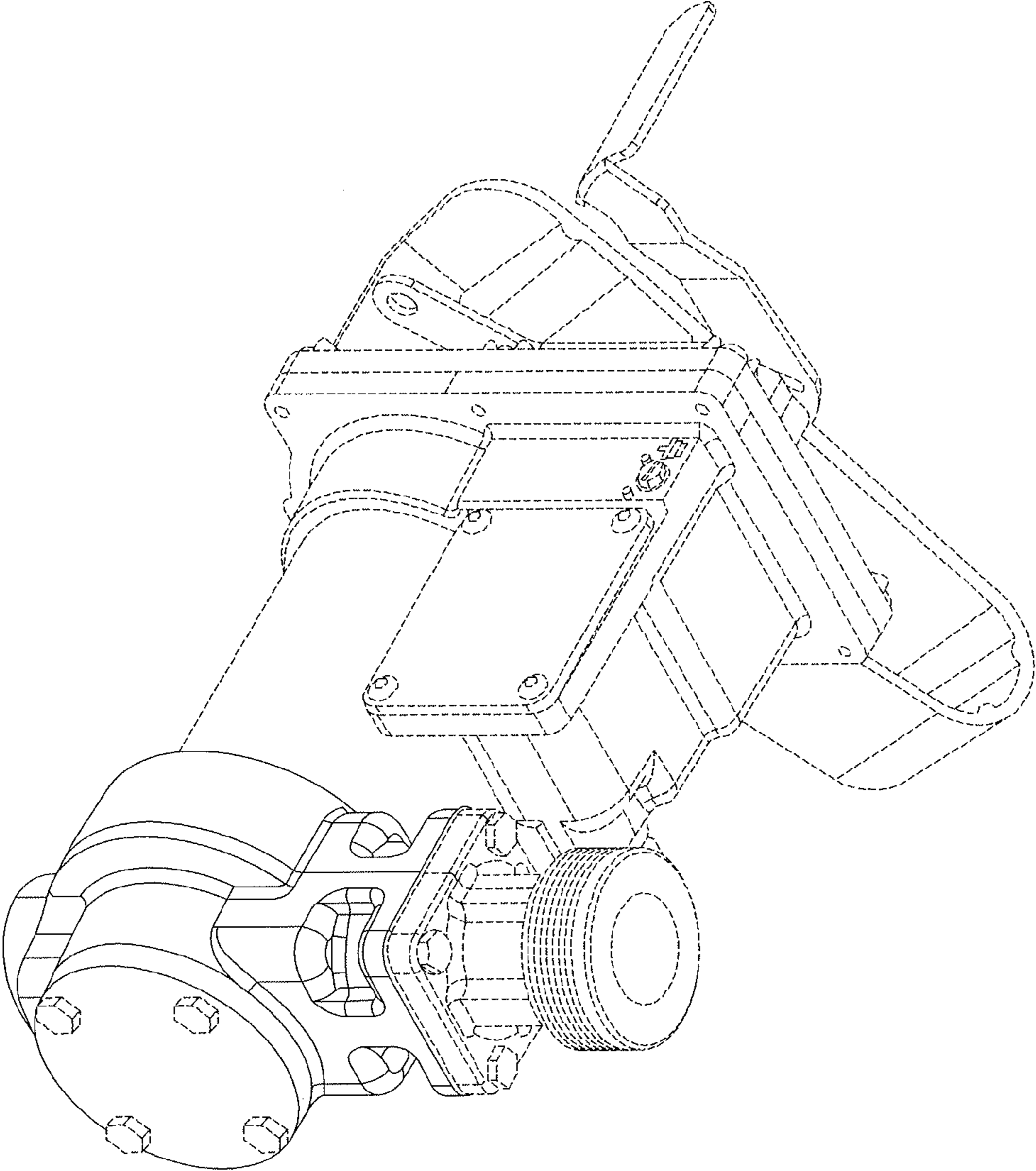


FIG. 3

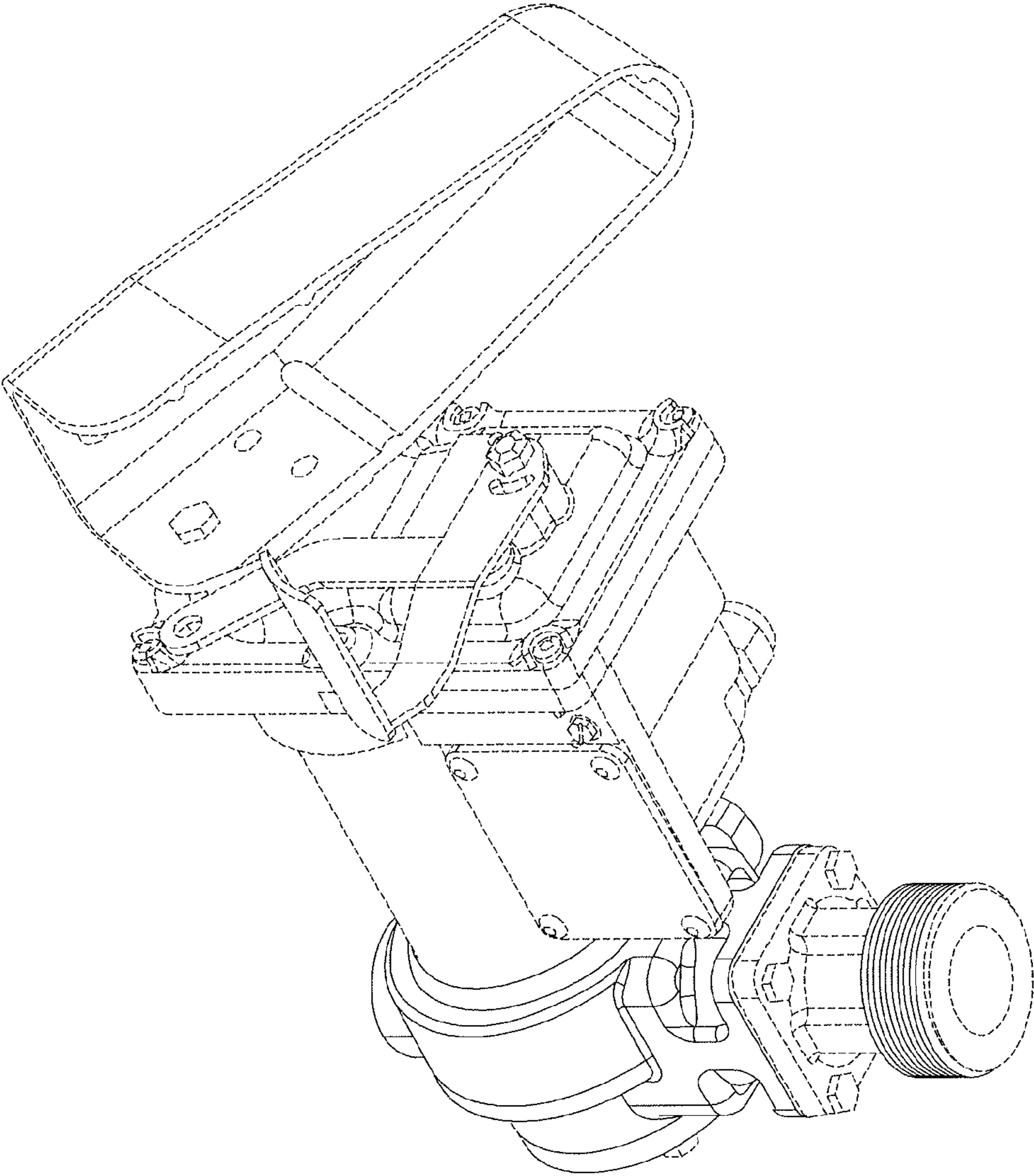


FIG. 4

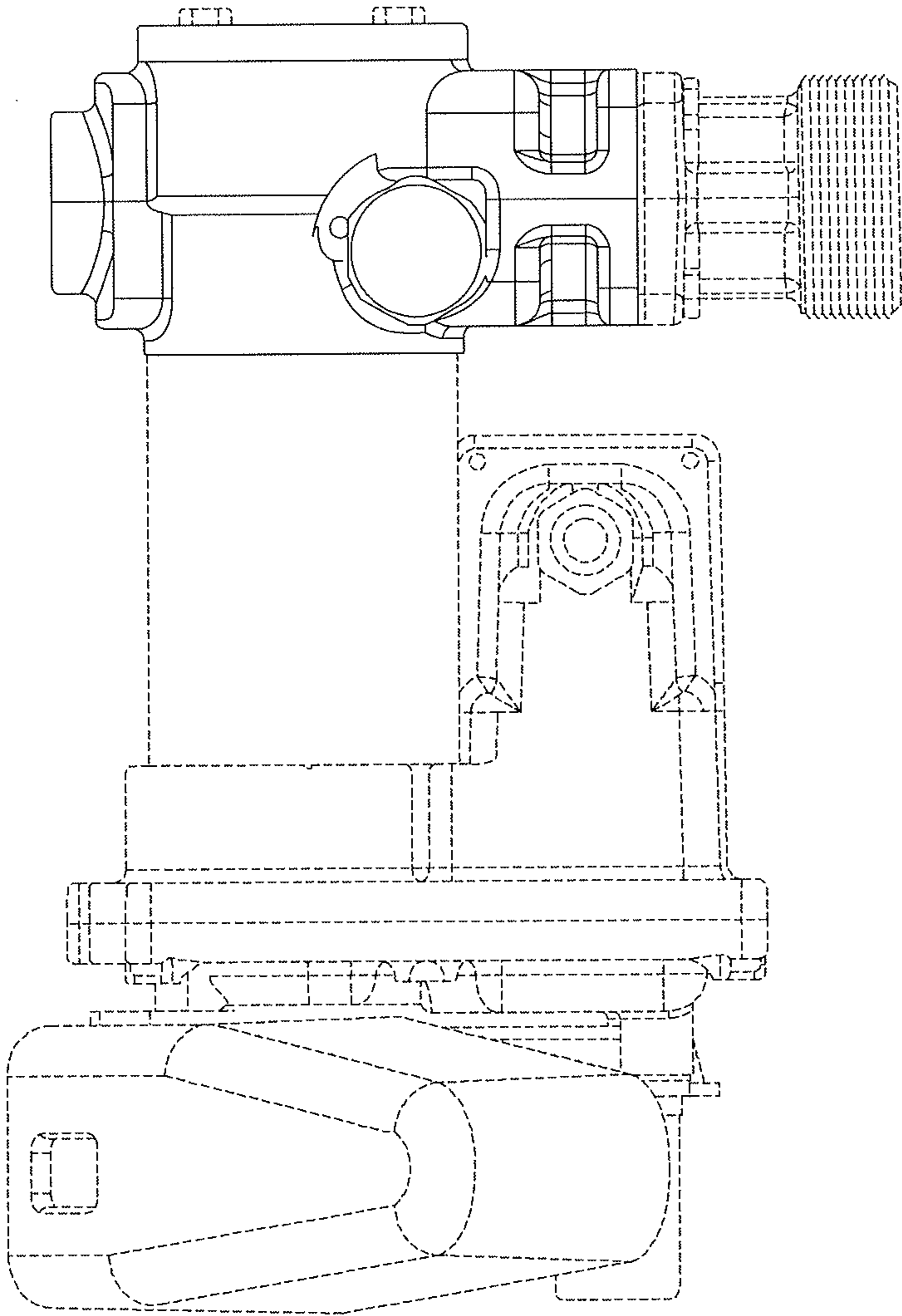


FIG. 5

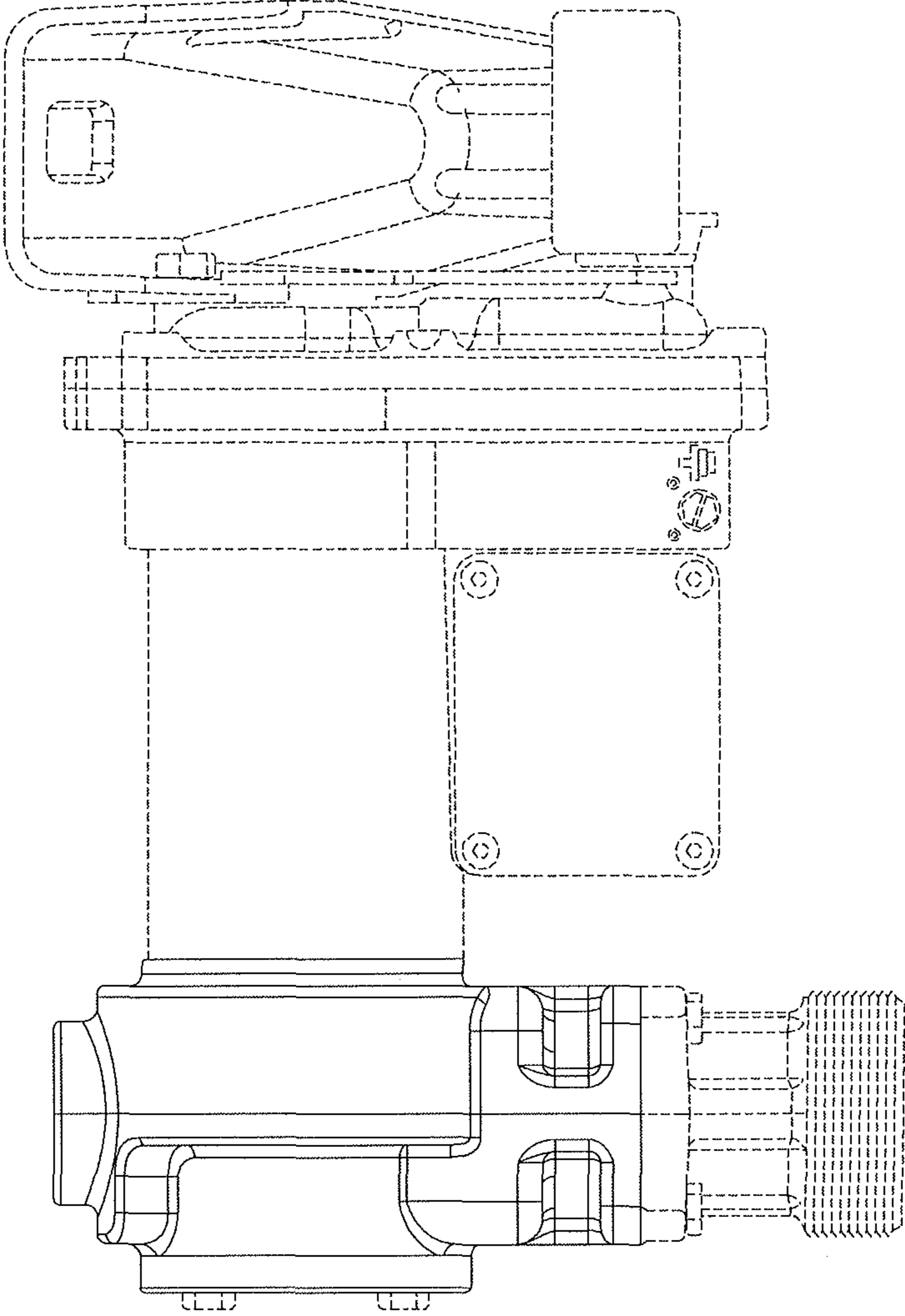


FIG. 6

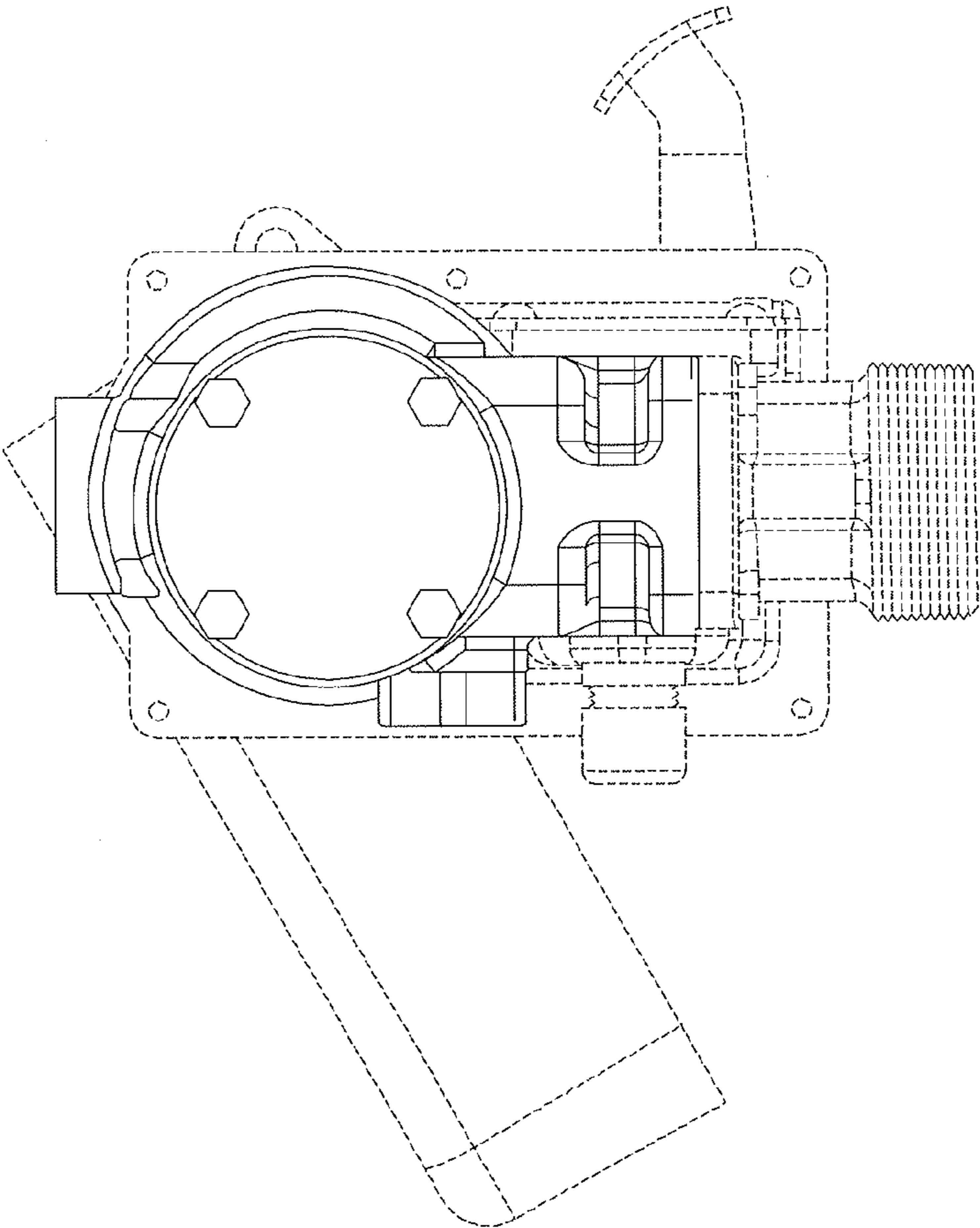


FIG. 7

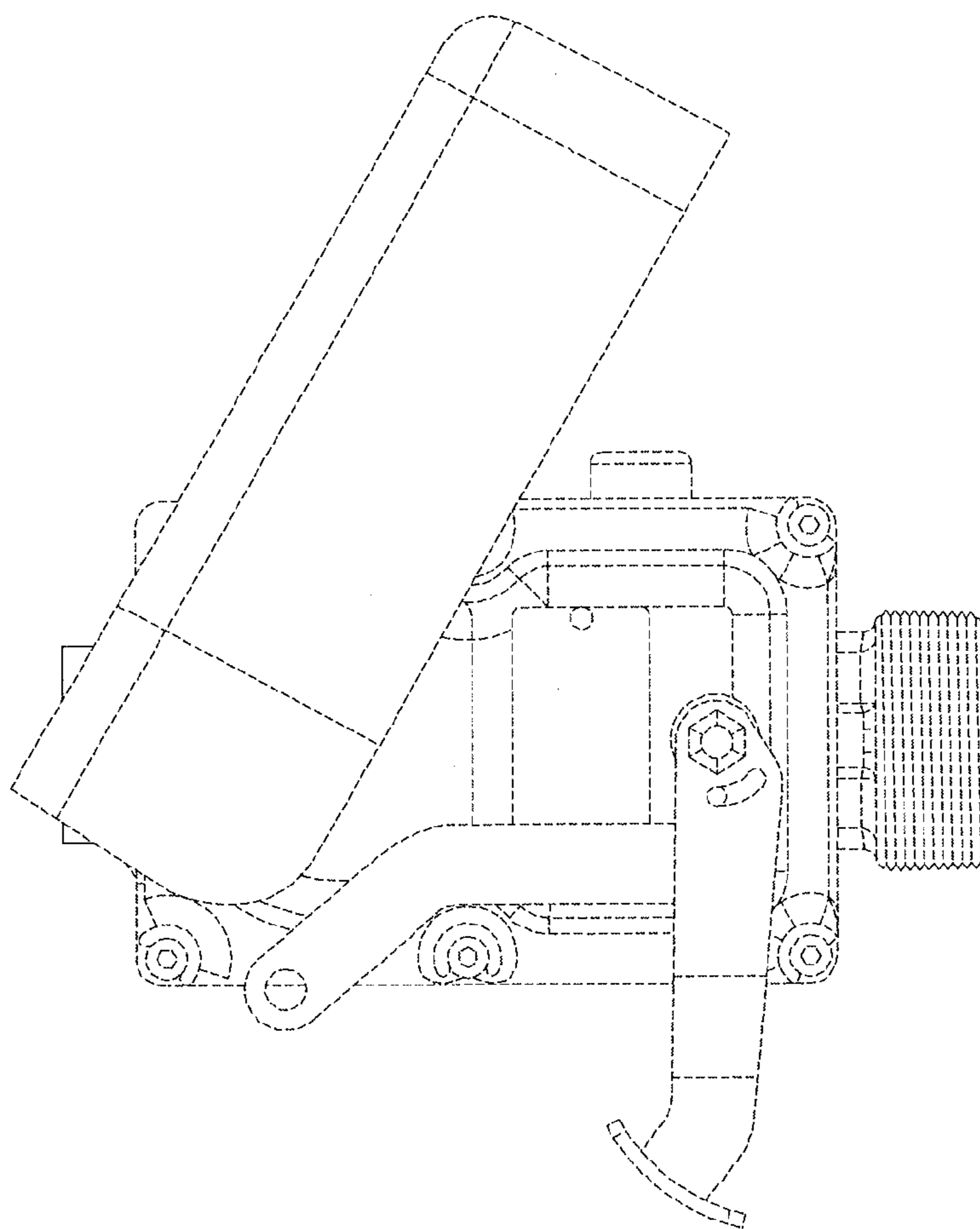


FIG. 8

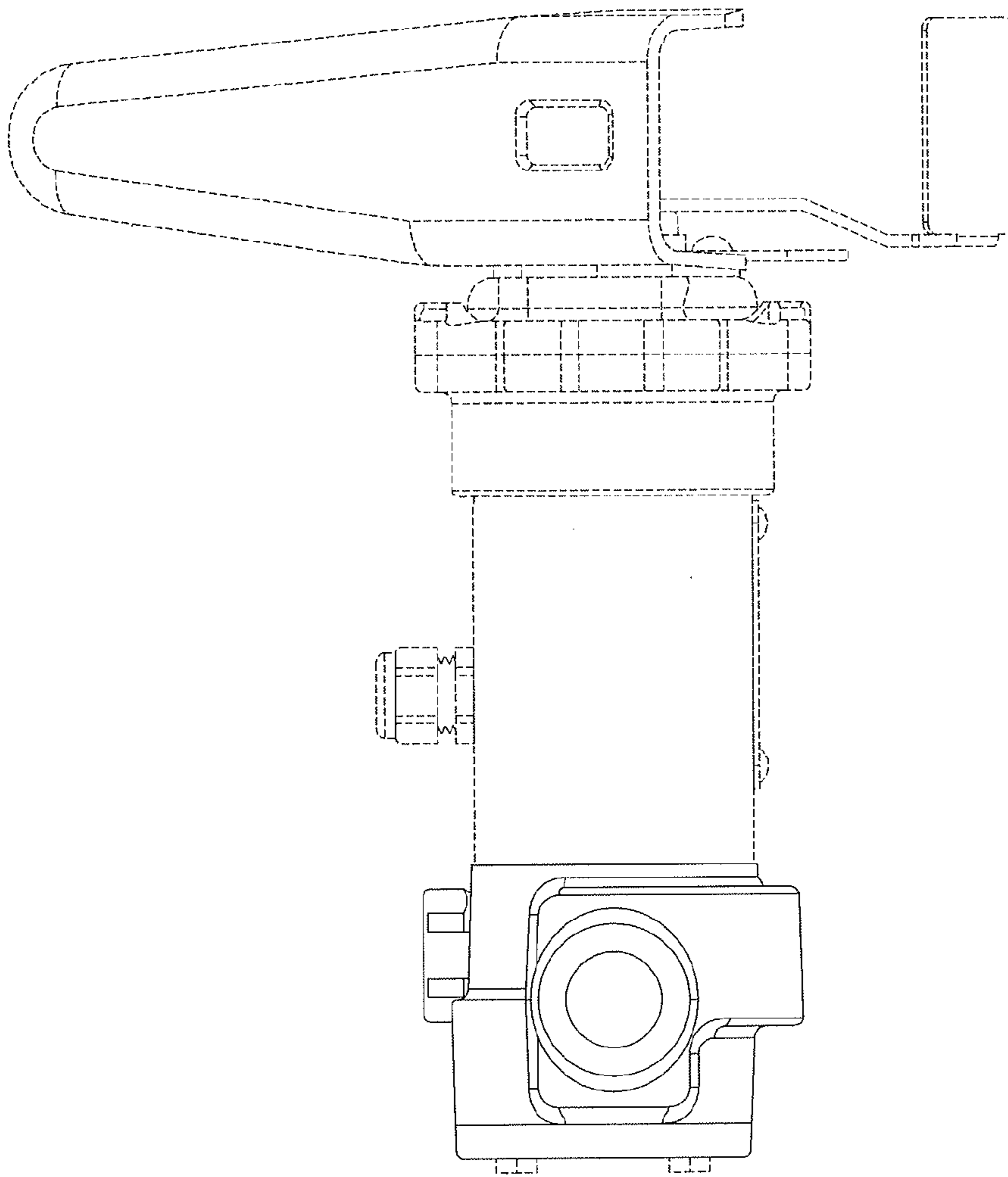


FIG. 9

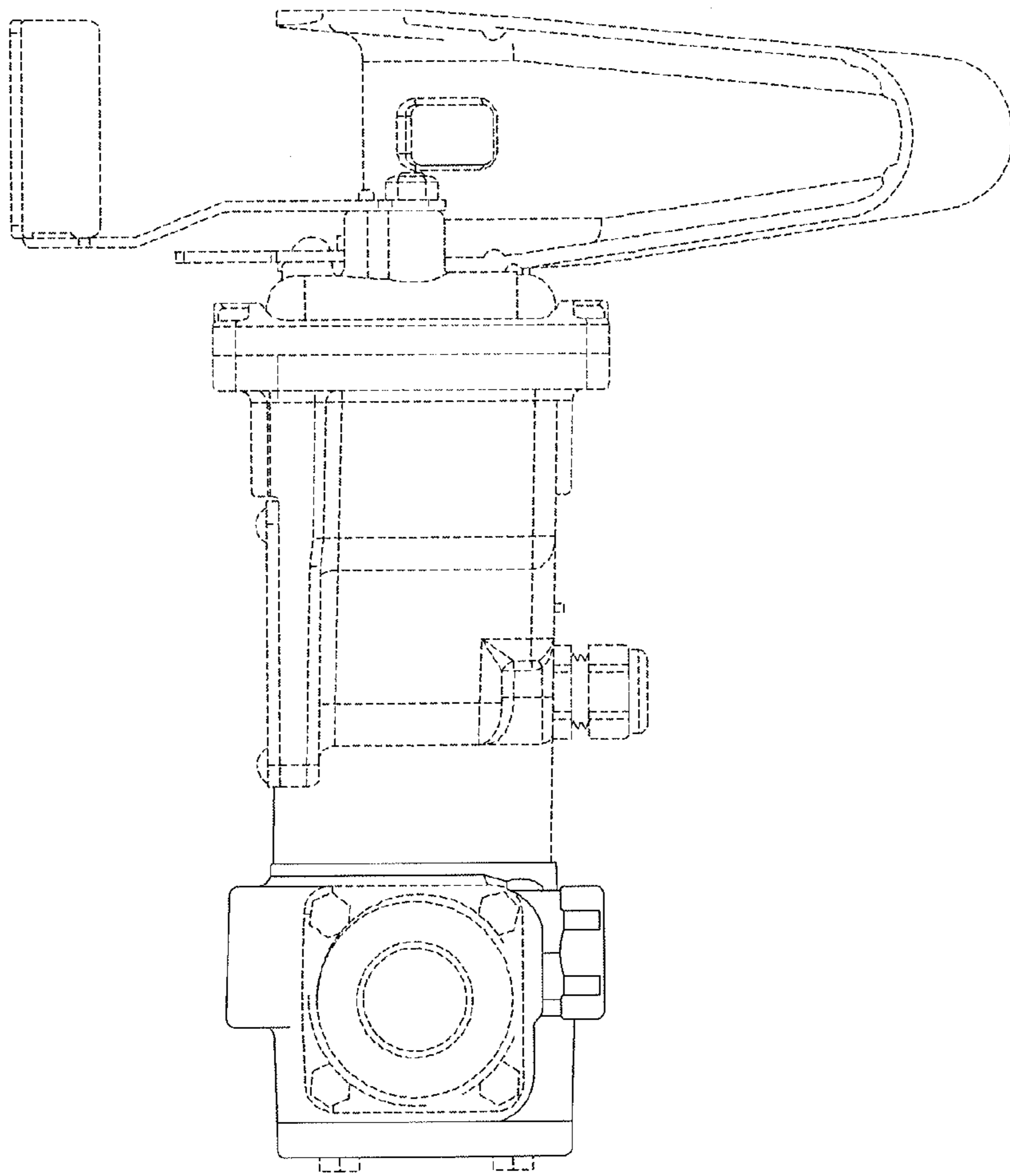


FIG. 10