



US00D684997S

(12) **United States Design Patent**
Tatic

(10) **Patent No.:** **US D684,997 S**
(45) **Date of Patent:** **** Jun. 25, 2013**

(54) **WATER PUMP**

(75) Inventor: **Aleksander Tatic**, Ulm (DE)

(73) Assignee: **OASE GmbH**, Hörstel-Riesenbeck (DE)

(**) Term: **14 Years**

(21) Appl. No.: **29/414,467**

(22) Filed: **Feb. 29, 2012**

(30) **Foreign Application Priority Data**

Aug. 30, 2011 (EM) 001 291 397-0001

Aug. 30, 2011 (EM) 001 291 397-0002

(51) **LOC (9) Cl.** **15-02**

(52) **U.S. Cl.**
USPC **D15/7**

(58) **Field of Classification Search**

USPC D15/7-9; D23/231, 232, 225; 417/60,
417/235, 265, 321, 355, 358, 363, 359, 410.1,
417/415-416, 405, 900; 60/408, 412;
184/26-37; 415/140-147; 123/495, 509

See application file for complete search history.

(56) **References Cited**

U.S. PATENT DOCUMENTS

D209,639 S *	12/1967	Gare	D15/8
D441,376 S *	5/2001	Gohil et al.	D15/7
D558,234 S *	12/2007	Dickertmann	D15/7
D558,235 S *	12/2007	Dickertmann	D15/7
D562,349 S *	2/2008	Bulter	D15/9
D595,741 S *	7/2009	Dickertmann	D15/7

D634,336 S * 3/2011 Tunze et al. D15/8

* cited by examiner

Primary Examiner — Ralf Seifert

(74) *Attorney, Agent, or Firm* — Gudrun E. Huckett

(57) **CLAIM**

The ornamental design for a water pump, as shown and described.

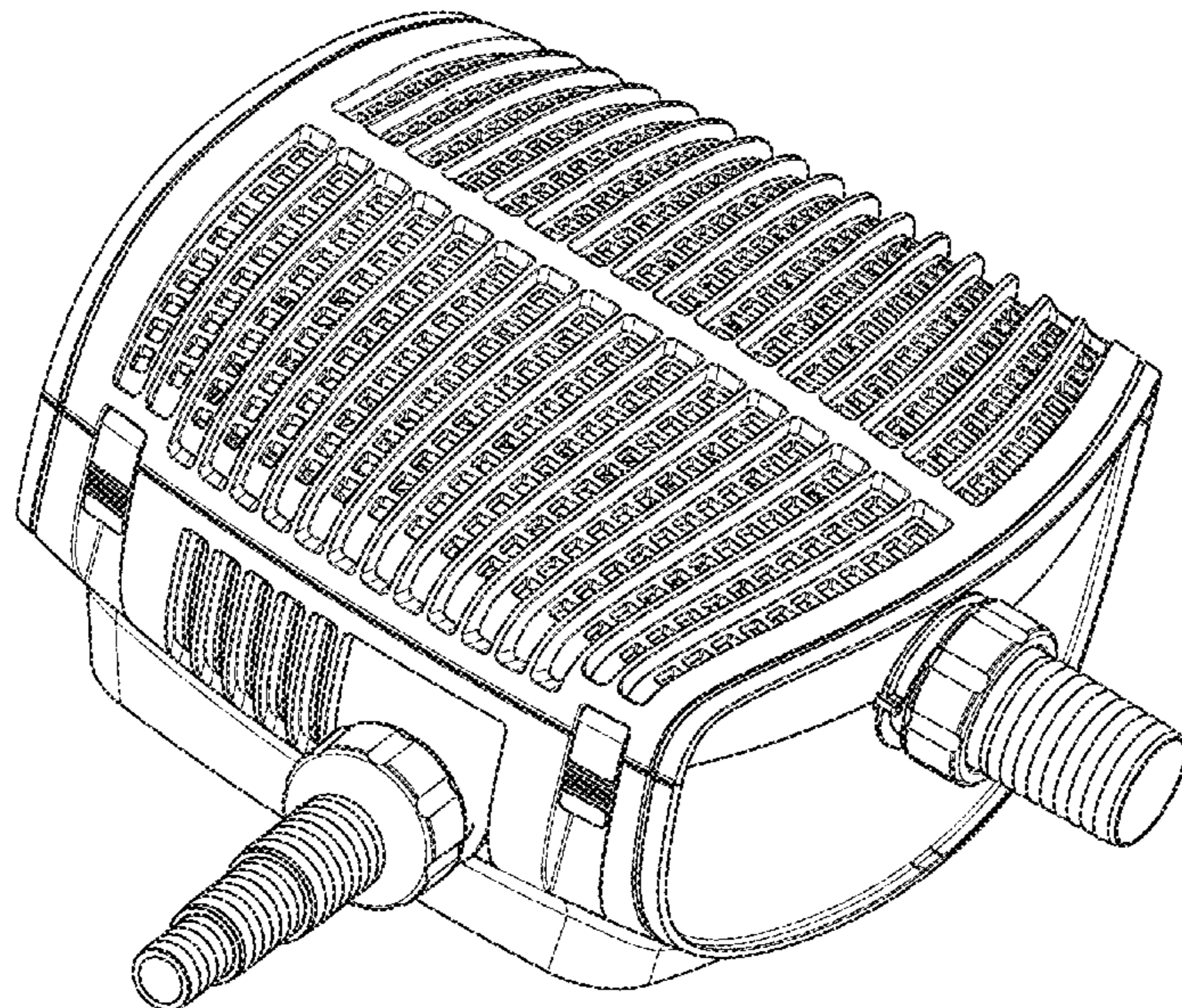
DESCRIPTION

FIG. 1 is a perspective top and front view of my water pump; FIG. 2 is a left side view of my water pump; FIG. 3 is a right side view of my water pump; FIG. 4 is a front view of my water pump; FIG. 5 is a rear view of my water pump; FIG. 6 is a top view of my water pump; and, FIG. 7 is a bottom view of my water pump.

The top views FIGS. 1 and 6 show elongate recesses with multiple openings through which parts arranged in the interior of my water pump can be seen; the parts in the interior are disclaimed. FIG. 3 shows parts of the interior viewed through the pipe socket; the parts in the interior are disclaimed. Due to the viewing angle, the side views FIGS. 2 and 3 show the contour lines of the ribs arranged between the recesses at the top side merging into each other so as to be no longer discernable in the drawings; likewise, the contours of the ribs between the elongate recesses extending vertically on the front and rear sides also merge in the side view of FIG. 2 and are no longer discernable in the drawing.

The broken lines in FIGS. 2, 3, 6, and 7 are included for the purpose of illustrating portions of the water pump that form no part of the claimed design.

1 Claim, 7 Drawing Sheets



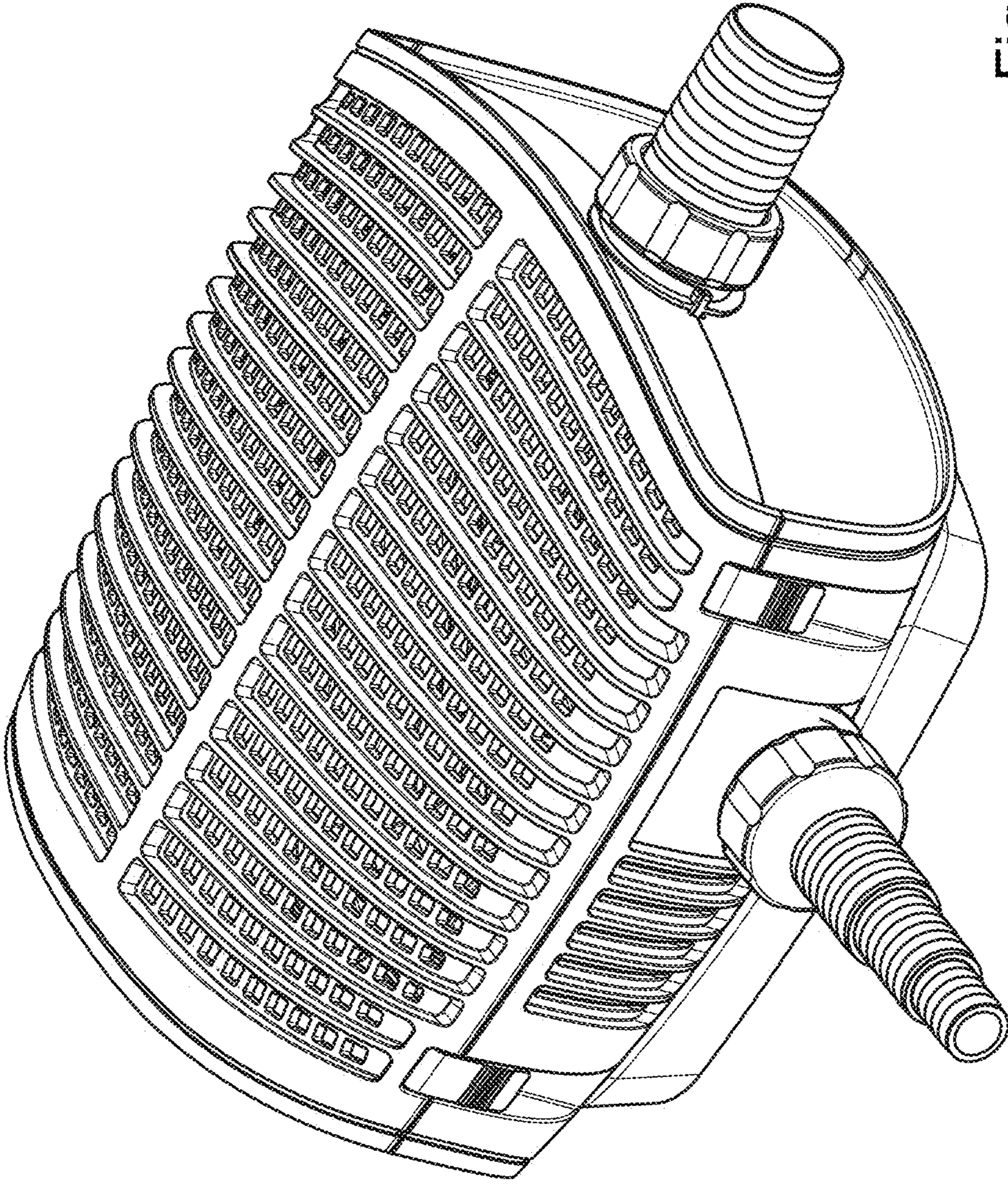


Fig. 1

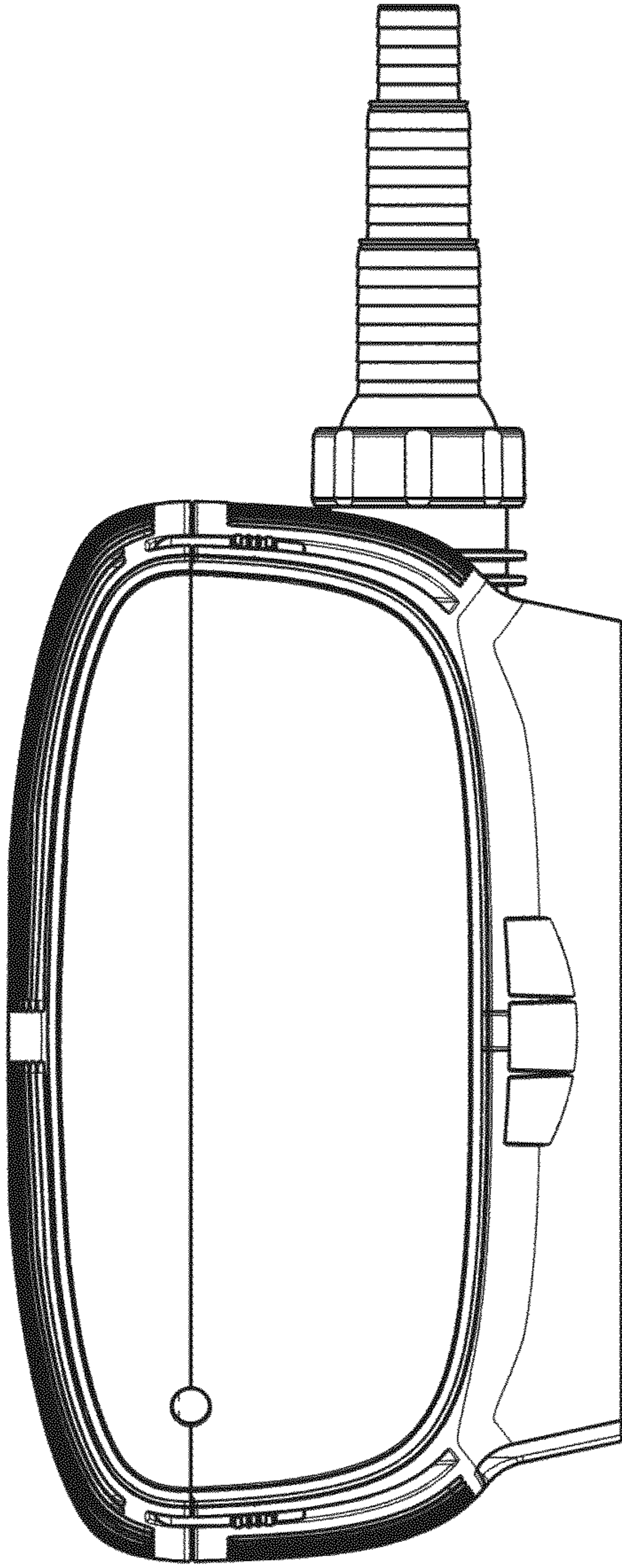


Fig. 2

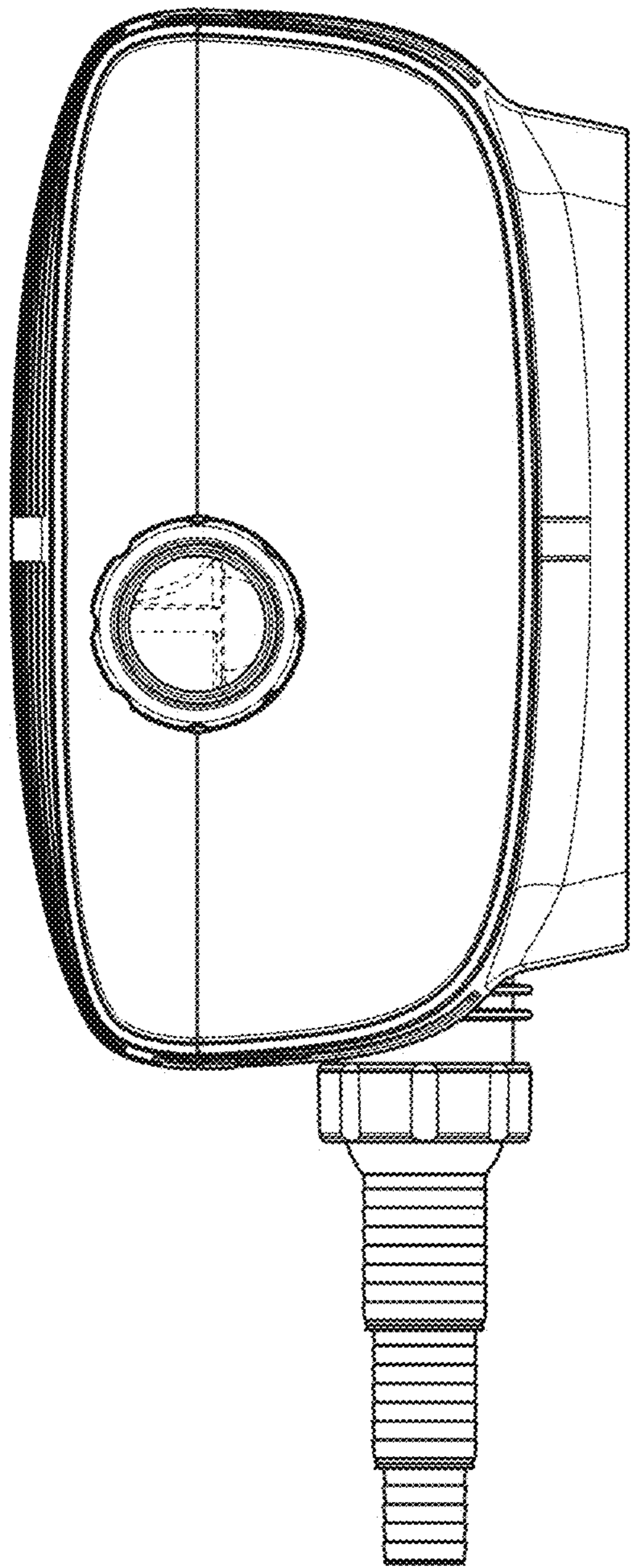


Fig. 3

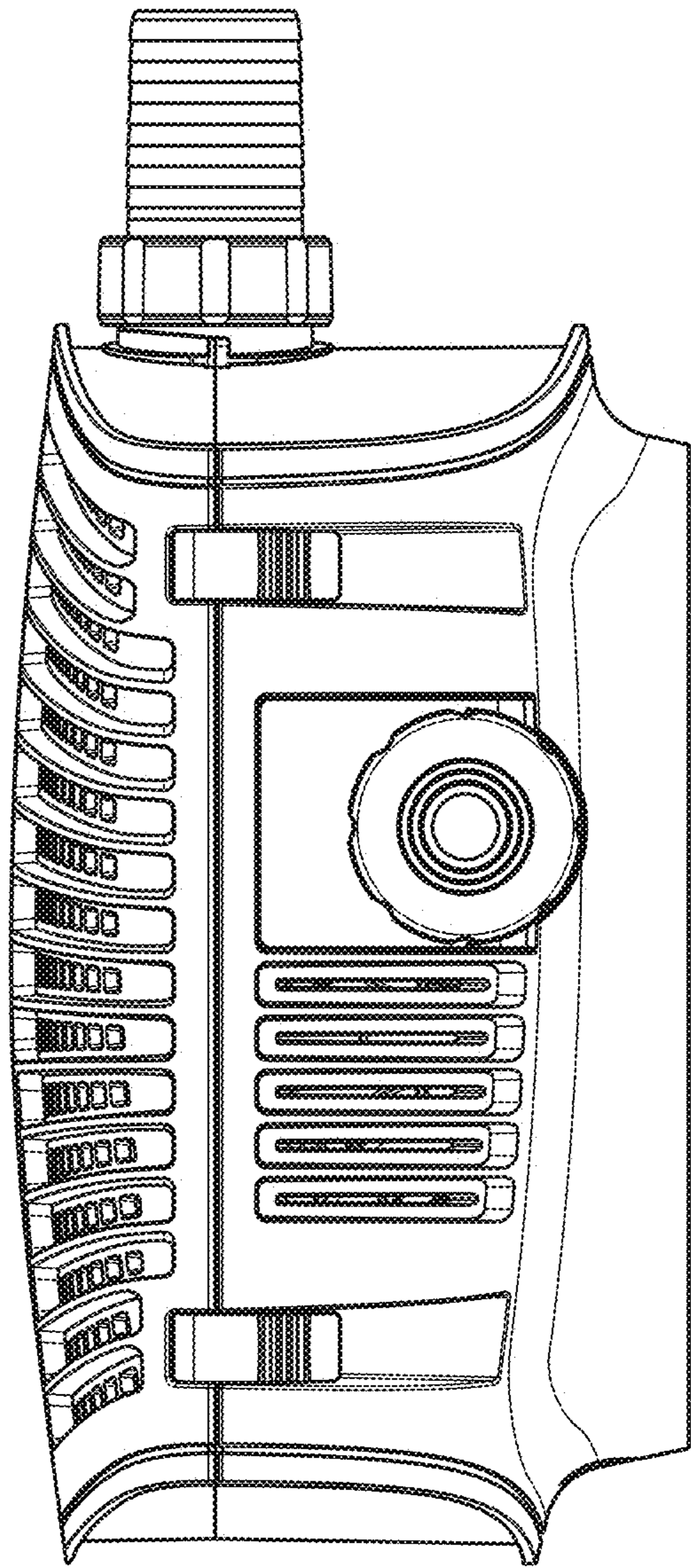


Fig. 4

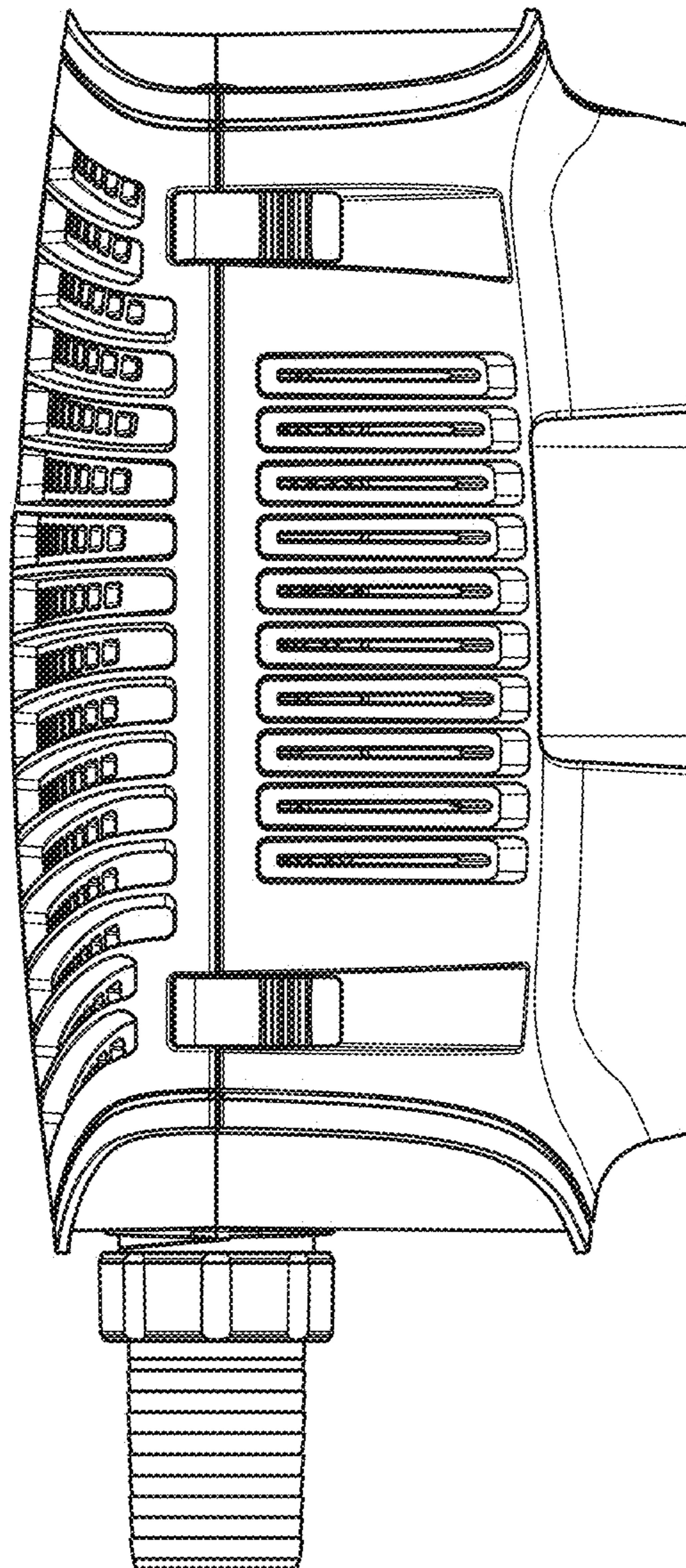


Fig. 5

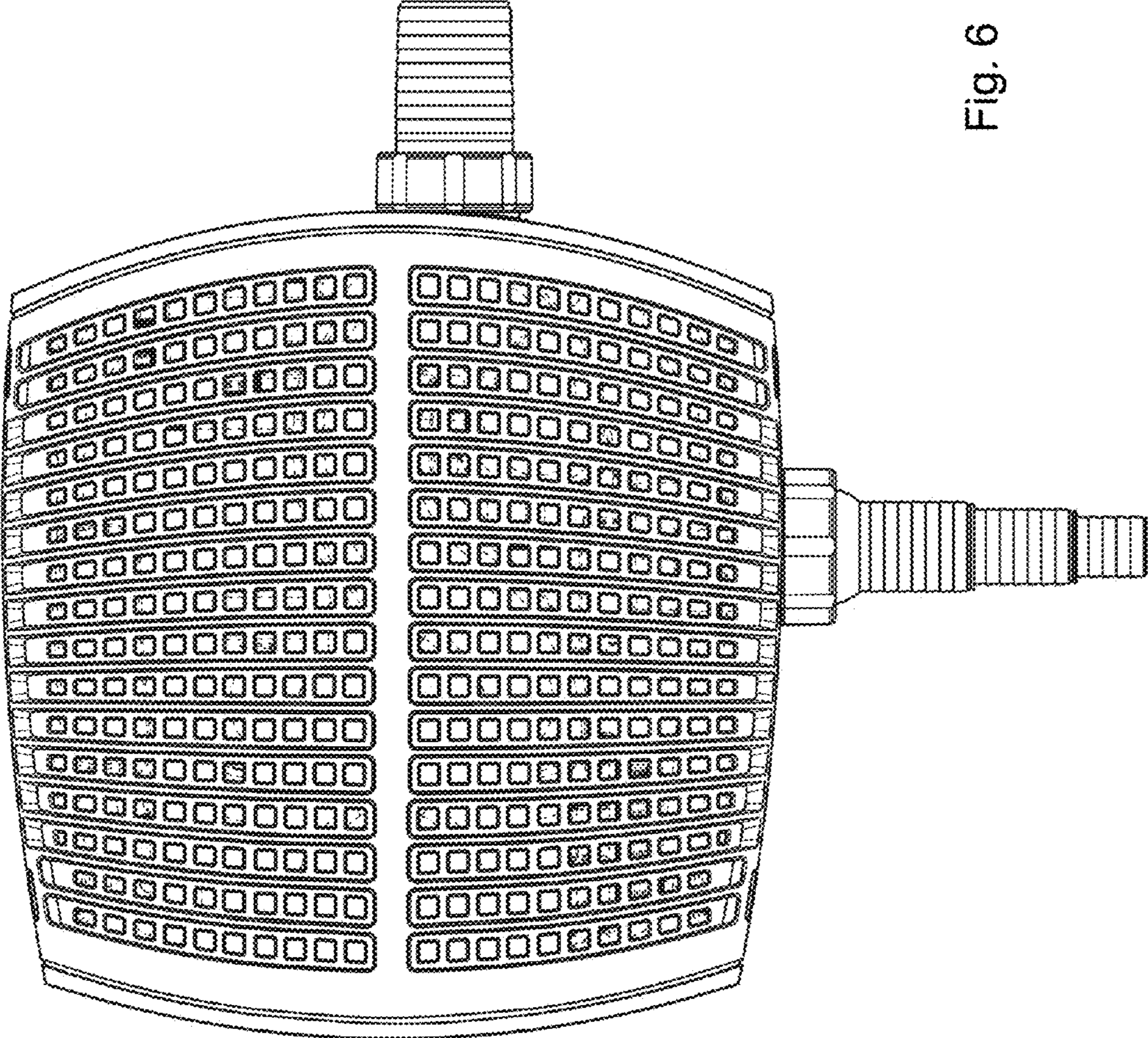


Fig. 6

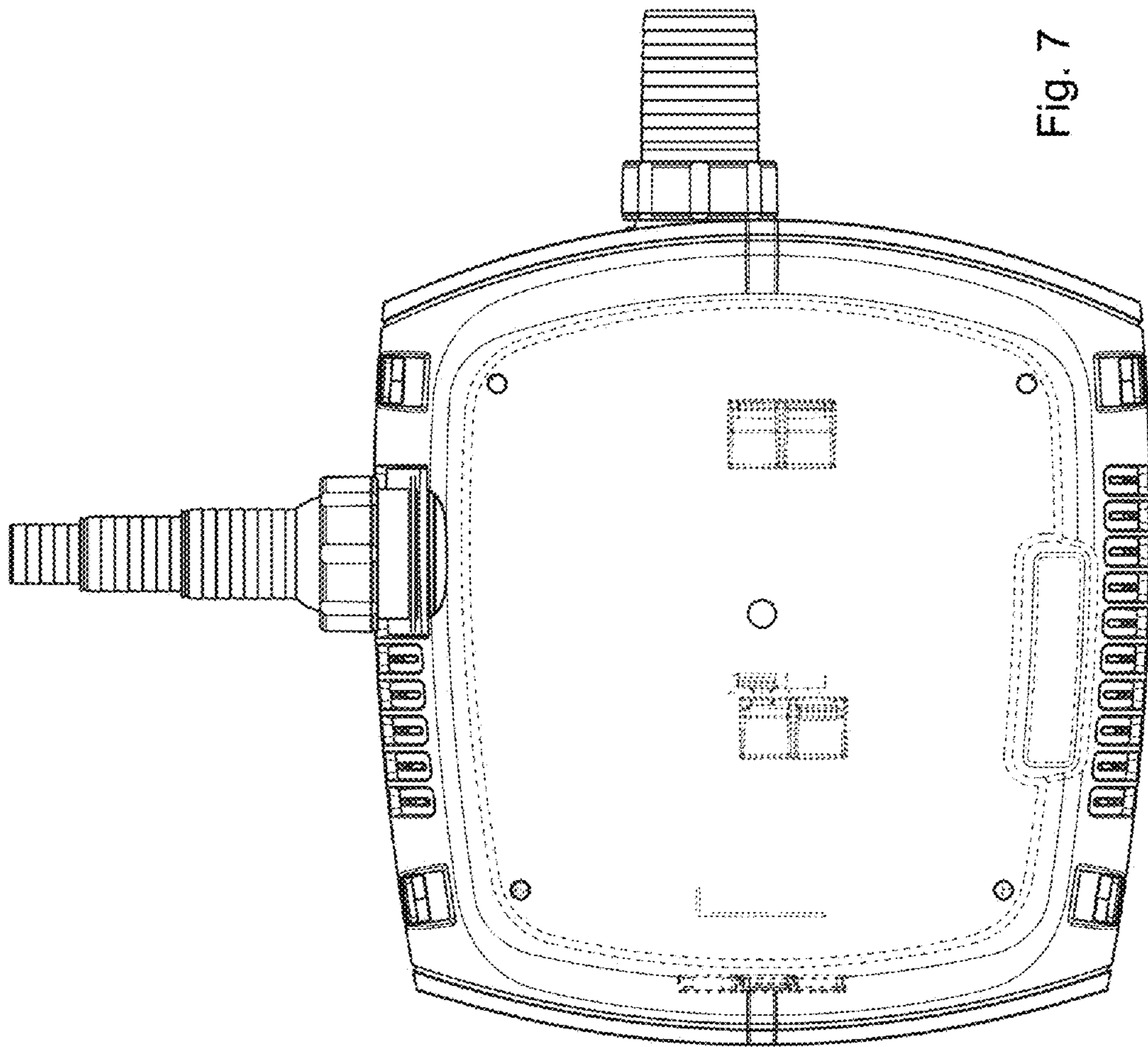


Fig. 7