



US00D684996S

(12) **United States Design Patent**
Wenz et al.

(10) **Patent No.:** **US D684,996 S**
(45) **Date of Patent:** **** Jun. 25, 2013**

(54) **DISPLAY SCREEN WITH A GRAPHICAL INTERFACE**

(75) Inventors: **Oliver C. Wenz**, Petaluma, CA (US);
Michael J. Manning, Campbell, CA (US); **Ji hyun Kim**, Alameda, CA (US)

(73) Assignee: **Cisco Technology, Inc.**, San Jose, CA (US)

(**) Term: **14 Years**

(21) Appl. No.: **29/380,011**

(22) Filed: **Nov. 29, 2010**

(51) **LOC (9) Cl.** **14-04**

(52) **U.S. Cl.**
USPC **D14/495**

(58) **Field of Classification Search**
USPC D14/485–488, 495; D18/31–33; D20/10,
D20/11, 22, 23, 25, 27, 32; 715/751–753,
715/756, 758, 759

See application file for complete search history.

(56) **References Cited**

U.S. PATENT DOCUMENTS

D2,945 S *	3/1868	Parker et al.	D20/23
D27,404 S *	7/1897	King	D10/2
5,375,068 A *	12/1994	Palmer et al.	709/204
5,617,539 A *	4/1997	Ludwig et al.	709/205
D391,558 S *	3/1998	Marshall et al.	D14/486
D440,575 S *	4/2001	Wang et al.	D14/489
D450,710 S *	11/2001	Yoshioka	D14/486
D500,788 S *	1/2005	Kaplan	D19/8
6,907,447 B1 *	6/2005	Cooperman et al.	709/203

(Continued)

OTHER PUBLICATIONS

Design U.S. Appl. No. 29/380,005, filed Nov. 29, 2010, entitled
“Interface Element,” Inventor(s): Oliver C. Wenz et al.

(Continued)

Primary Examiner — Karen E Kearney

(57) **CLAIM**

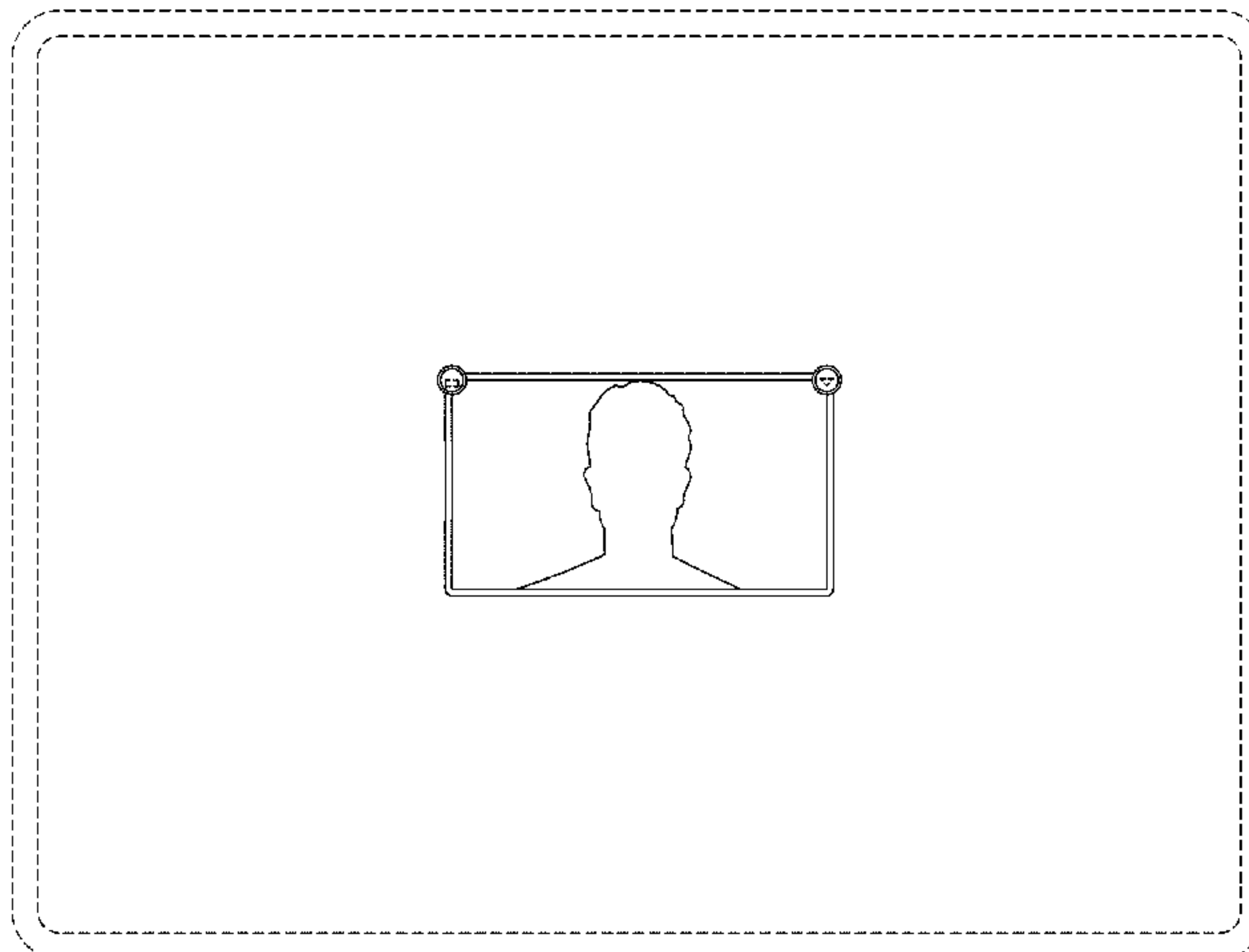
The ornamental design for a display screen with a graphical interface, as shown and described.

DESCRIPTION

FIG. 1 is a perspective view illustrating a display screen with a graphical interface according to one embodiment;
 FIG. 2 is a front view thereof;
 FIG. 3 is a perspective view thereof, shown in a different placement in the environment;
 FIG. 4 is a front view thereof;
 FIG. 5 is a perspective view thereof, shown in a different placement in the environment;
 FIG. 6 is a front view thereof;
 FIG. 7 is a perspective view thereof, shown in a different placement in the environment;
 FIG. 8 is a front view thereof;
 FIG. 9 is a perspective view thereof, shown in a different placement in the environment;
 FIG. 10 is a front view thereof;
 FIG. 11 is a perspective view thereof, shown in a different placement in the environment;
 FIG. 12 is a front view thereof;
 FIG. 13 is a perspective view thereof, shown in a different placement in the environment;
 FIG. 14 is a front view thereof;
 FIG. 15 is a perspective view thereof, shown in a different placement in the environment;
 FIG. 16 is a front view thereof;
 FIG. 17 is a perspective view thereof, shown in a different placement in the environment; and,
 FIG. 18 is a front view thereof.

The broken line showings of the display screen, rectangle, and triangle in all the figures are included for the purpose of illustrating environmental structure and portions of the display screen with a graphical interface. The broken lines form no part of the claimed design.

1 Claim, 18 Drawing Sheets



U.S. PATENT DOCUMENTS

D507,576	S *	7/2005	Hally et al.	D14/486
D537,834	S *	3/2007	Agarwal et al.	D14/486
7,243,299	B1 *	7/2007	Rubin et al.	715/209
7,305,436	B2 *	12/2007	Willis	709/204
D561,197	S *	2/2008	Okaro et al.	D14/495
7,360,172	B2 *	4/2008	Grossman et al.	715/839
D570,859	S *	6/2008	Hsiao et al.	D14/486
7,386,784	B2 *	6/2008	Capps et al.	715/203
D580,942	S *	11/2008	Oshiro et al.	D14/485
D586,359	S *	2/2009	Makoski et al.	D14/486
D593,571	S *	6/2009	Ball et al.	D14/485
D600,711	S *	9/2009	LaManna et al.	D14/492
D601,582	S *	10/2009	Chaudhri et al.	D14/495
D604,322	S *	11/2009	Hoefnagels	D14/488
D624,930	S *	10/2010	Agnetta et al.	D14/487
D638,432	S *	5/2011	Flik et al.	D14/486
D642,586	S *	8/2011	Jones et al.	D14/485
D648,741	S *	11/2011	Lemay	D14/493
D656,507	S *	3/2012	Jones et al.	D14/485
8,314,830	B2 *	11/2012	Sakai et al.	348/14.01
2005/0262542	A1 *	11/2005	DeWeese et al.	725/106
2008/0244419	A1 *	10/2008	Kurpick et al.	715/756
2009/0037827	A1 *	2/2009	Bennetts	715/753
2009/0089683	A1 *	4/2009	Thapa	715/756
2009/0157709	A1 *	6/2009	Kruger et al.	707/100
2009/0177975	A1 *	7/2009	Elgar et al.	715/751
2010/0122183	A1 *	5/2010	Babaian et al.	715/752
2011/0035687	A1 *	2/2011	Katis et al.	715/758
2012/0272162	A1 *	10/2012	Surin et al.	715/753
2012/0297320	A1 *	11/2012	Lemmey et al.	715/753

OTHER PUBLICATIONS

Design U.S. Appl. No. 29/380,007, filed Nov. 29, 2010, entitled "Interface Element," Inventor(s): Oliver C. Wenz et al.

Design U.S. Appl. No. 29/380,008, filed Nov. 29, 2010, entitled "Interface Element," Inventor(s): Oliver C. Wenz et al.

Design U.S. Appl. No. 29/380,012, filed Nov. 29, 2010, entitled "Interface Element," Inventor(s): Oliver C. Wenz et al.

Design U.S. Appl. No. 29/380,014, filed Nov. 29, 2010, entitled "Interface Element," Inventor(s): Oliver C. Wenz et al.

Design U.S. Appl. No. 29/380,017, filed Nov. 29, 2010, entitled "Interface Element," Inventor(s): Oliver C. Wenz et al.

Design U.S. Appl. No. 29/380,018, filed Nov. 29, 2010, entitled "Interface Element," Inventor(s): Oliver C. Wenz et al.

Design U.S. Appl. No. 29/380,019, filed Nov. 29, 2010, entitled "Interface Element," Inventor(s): Oliver C. Wenz et al.

Design U.S. Appl. No. 29/380,021, filed Nov. 29, 2010, entitled "Interface Element," Inventor(s): Oliver C. Wenz et al.

Design U.S. Appl. No. 29/380,022, filed Nov. 29, 2010, entitled "Interface Element," Inventor(s): Oliver C. Wenz et al.

Design U.S. Appl. No. 29/380,023, filed Nov. 29, 2010, entitled "Interface Element," Inventor(s): Oliver C. Wenz et al.

Vizard, Mike, "Intel CEO Demos Video Conferencing on a Smartphone," CTO Edge, Jan. 8, 2010; 2 pages; <http://www.ctoedge.com/content/intel-ceo-demos-video-conferencing-smartphone>.

* cited by examiner

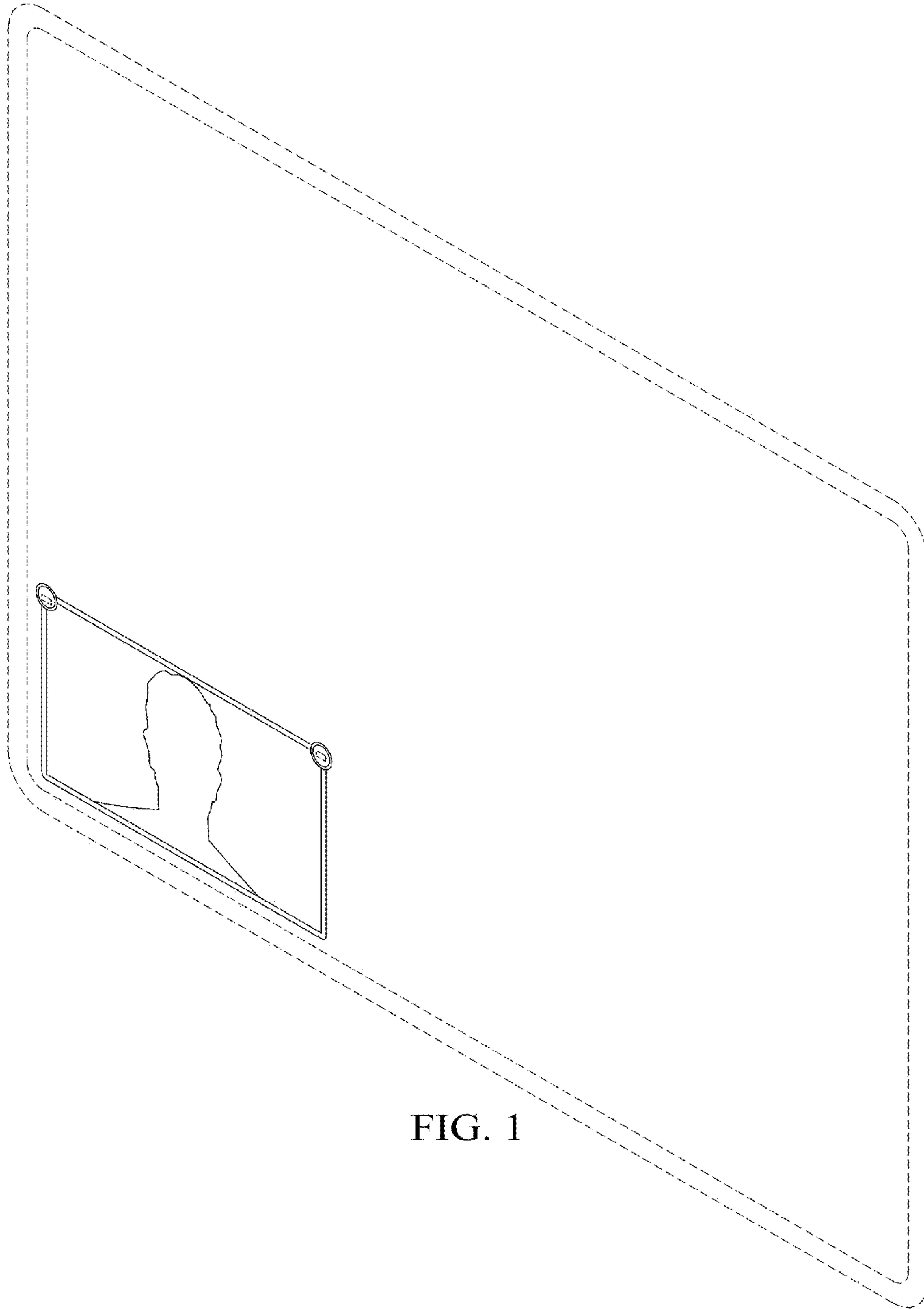


FIG. 1

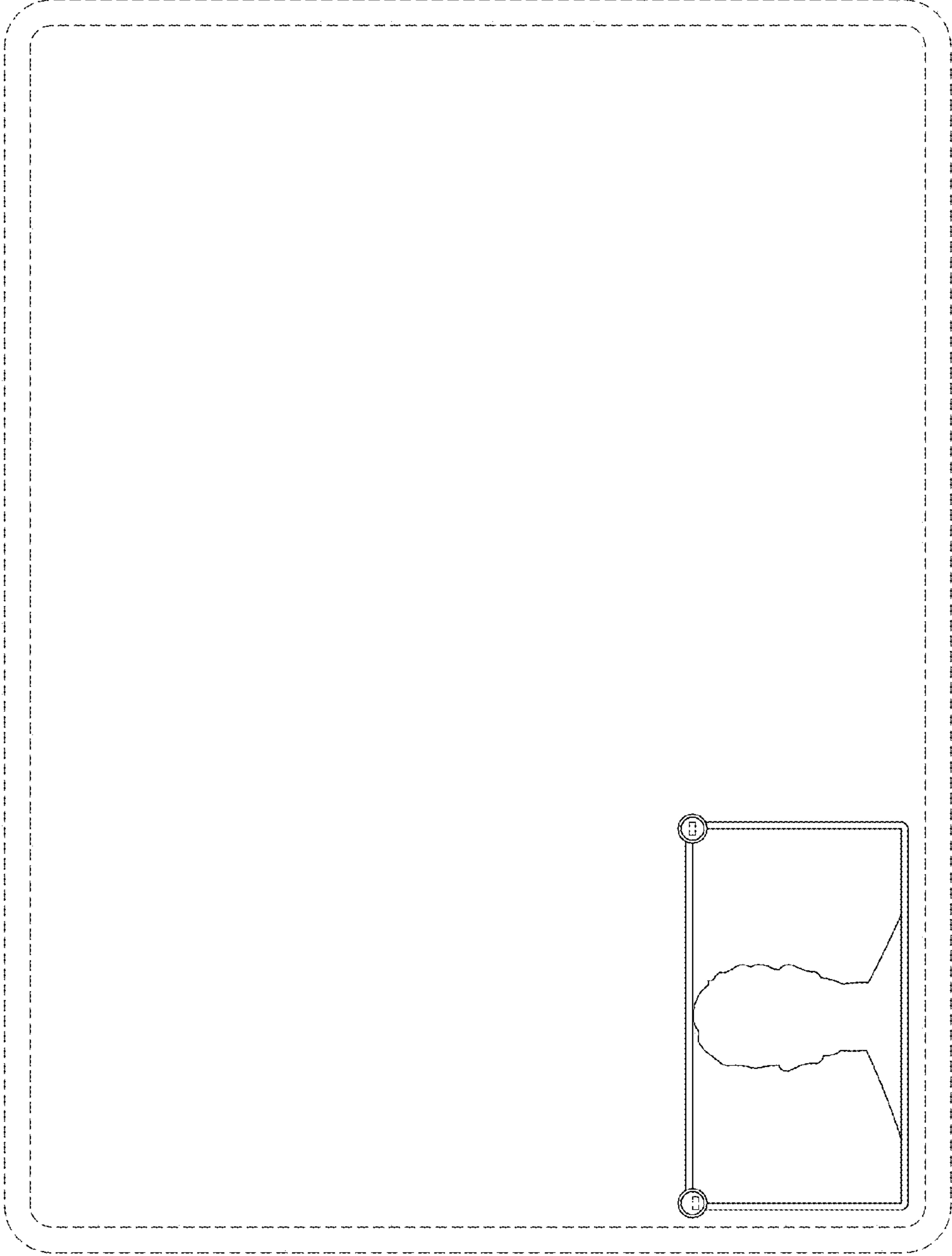


FIG. 2

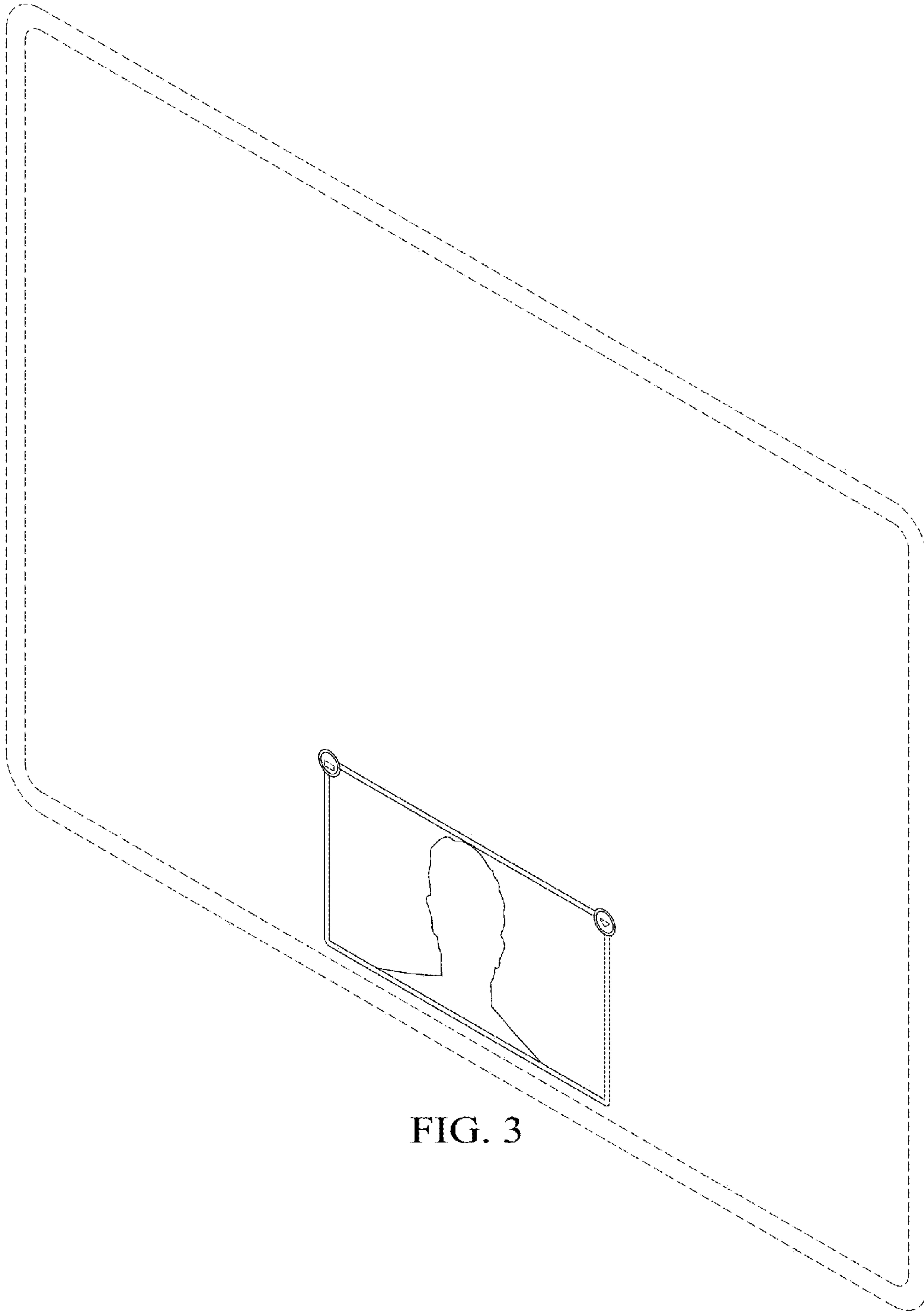


FIG. 3

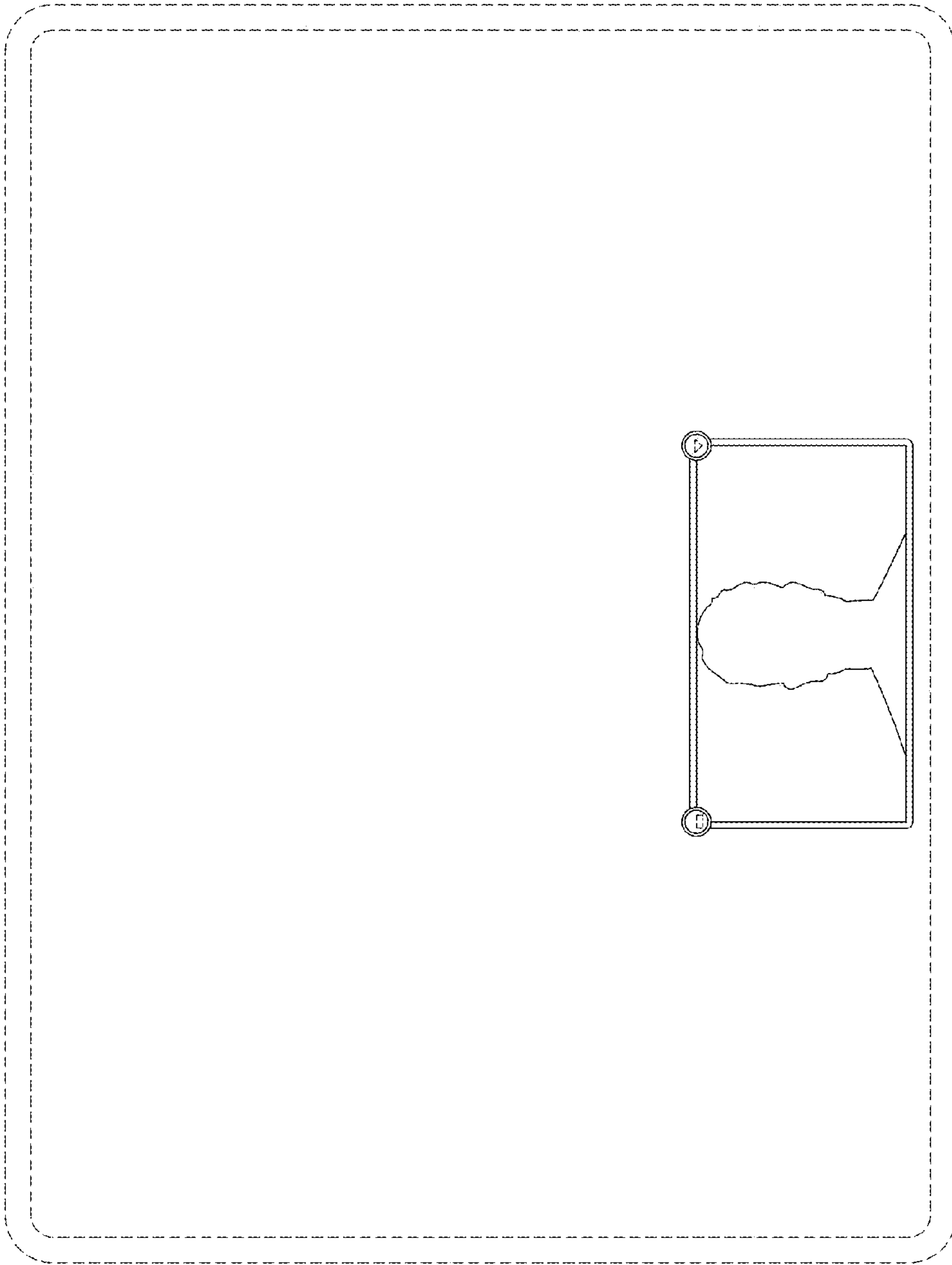


FIG. 4

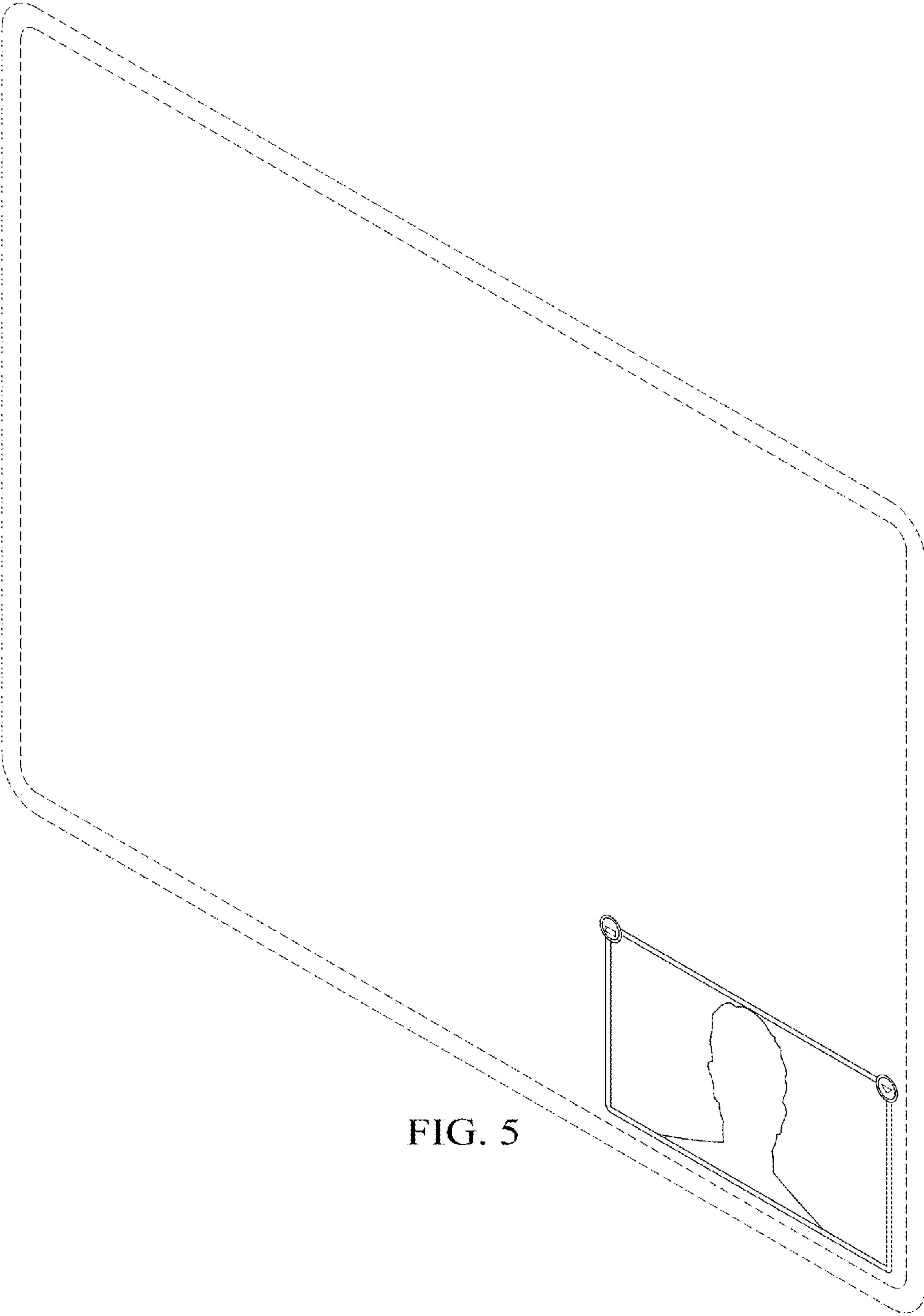


FIG. 5

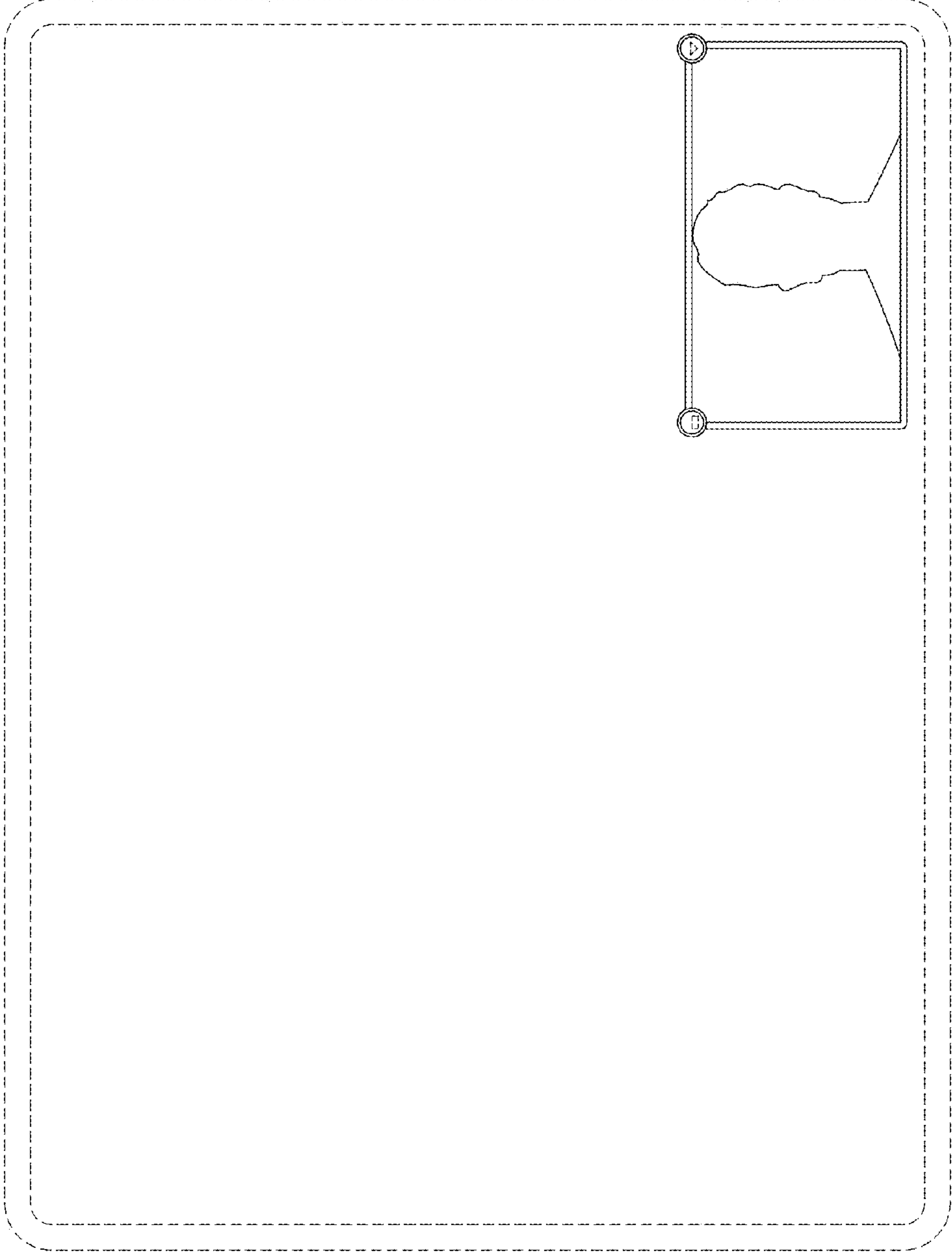


FIG. 6

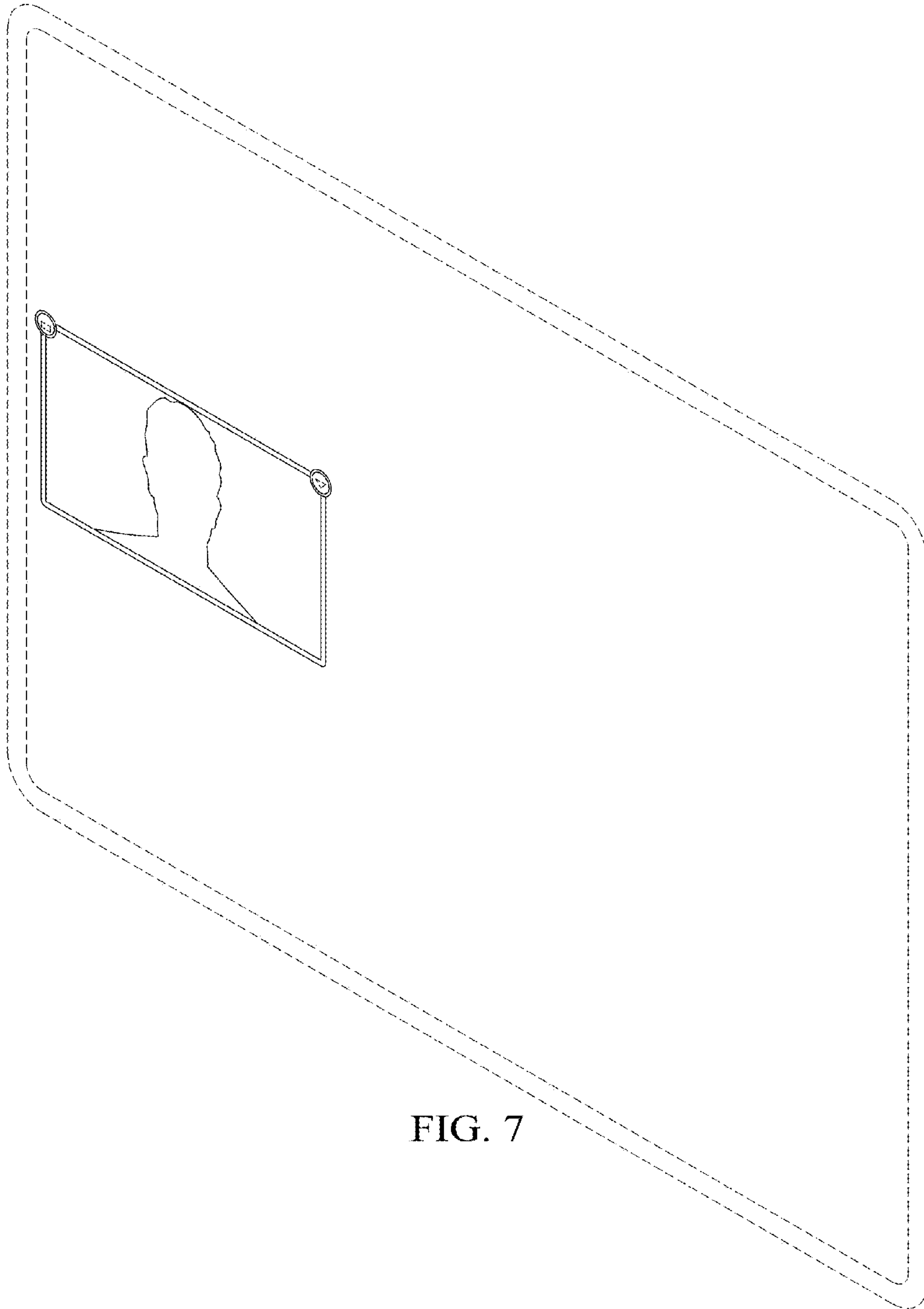


FIG. 7

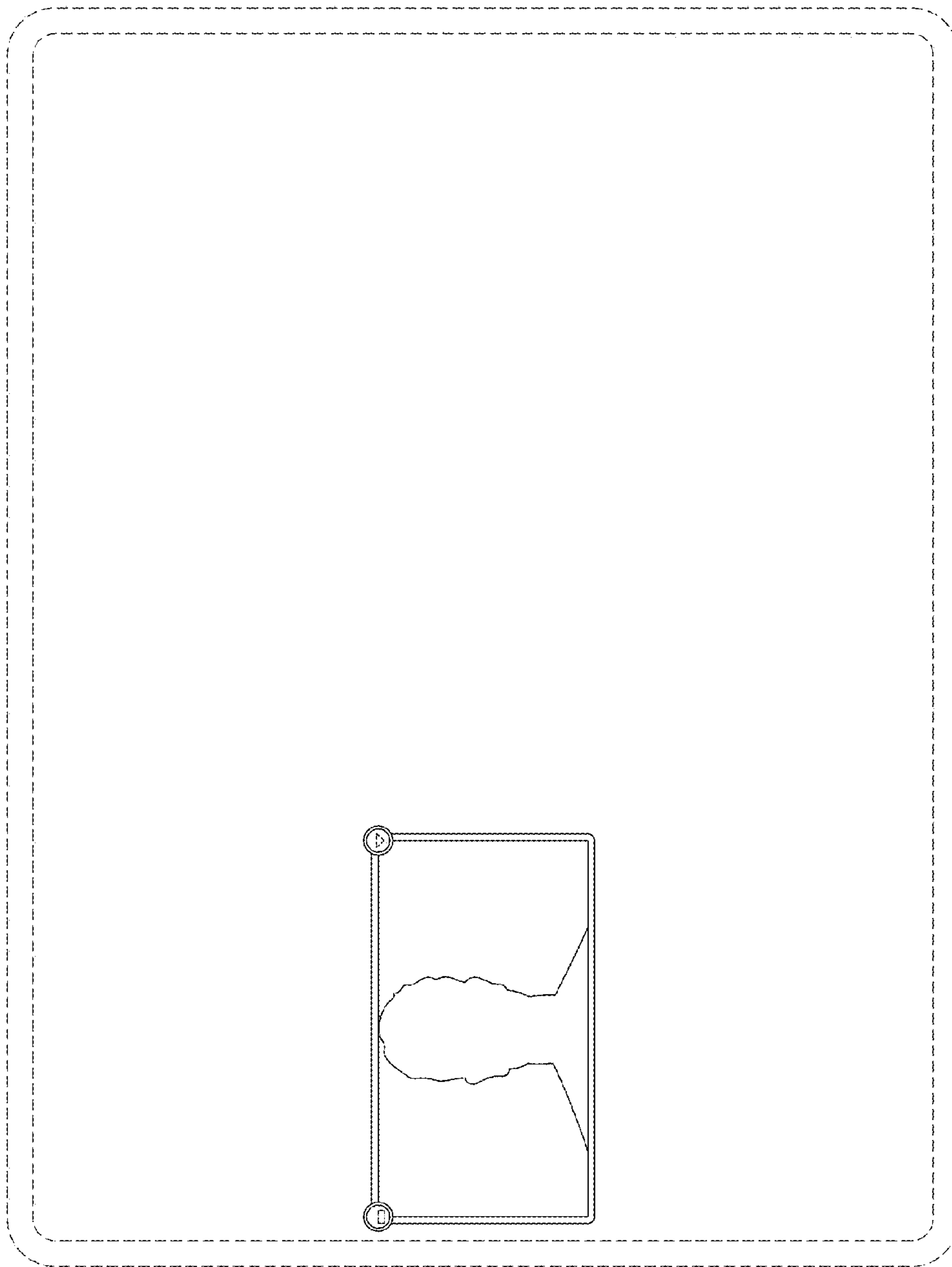


FIG. 8

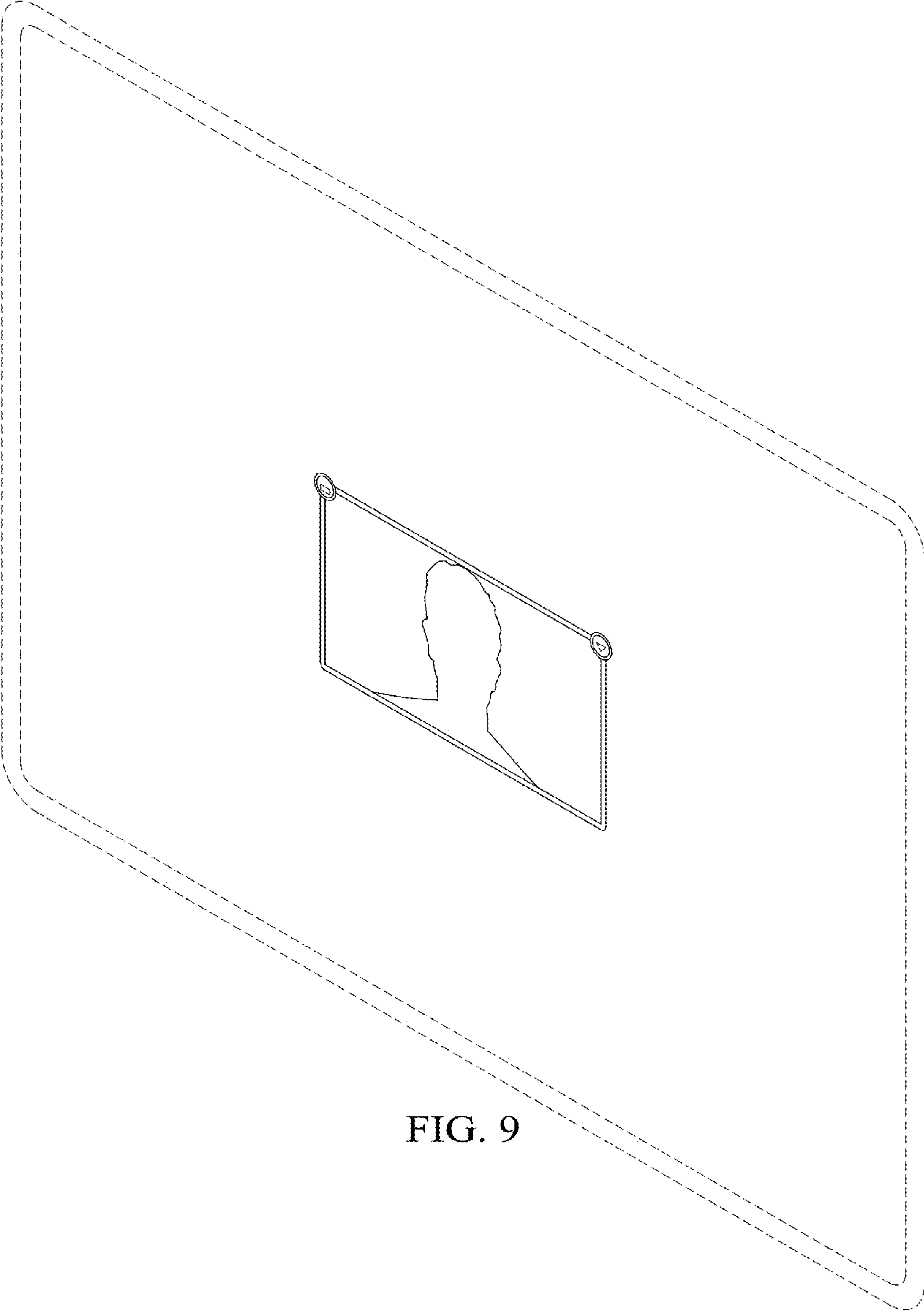


FIG. 9

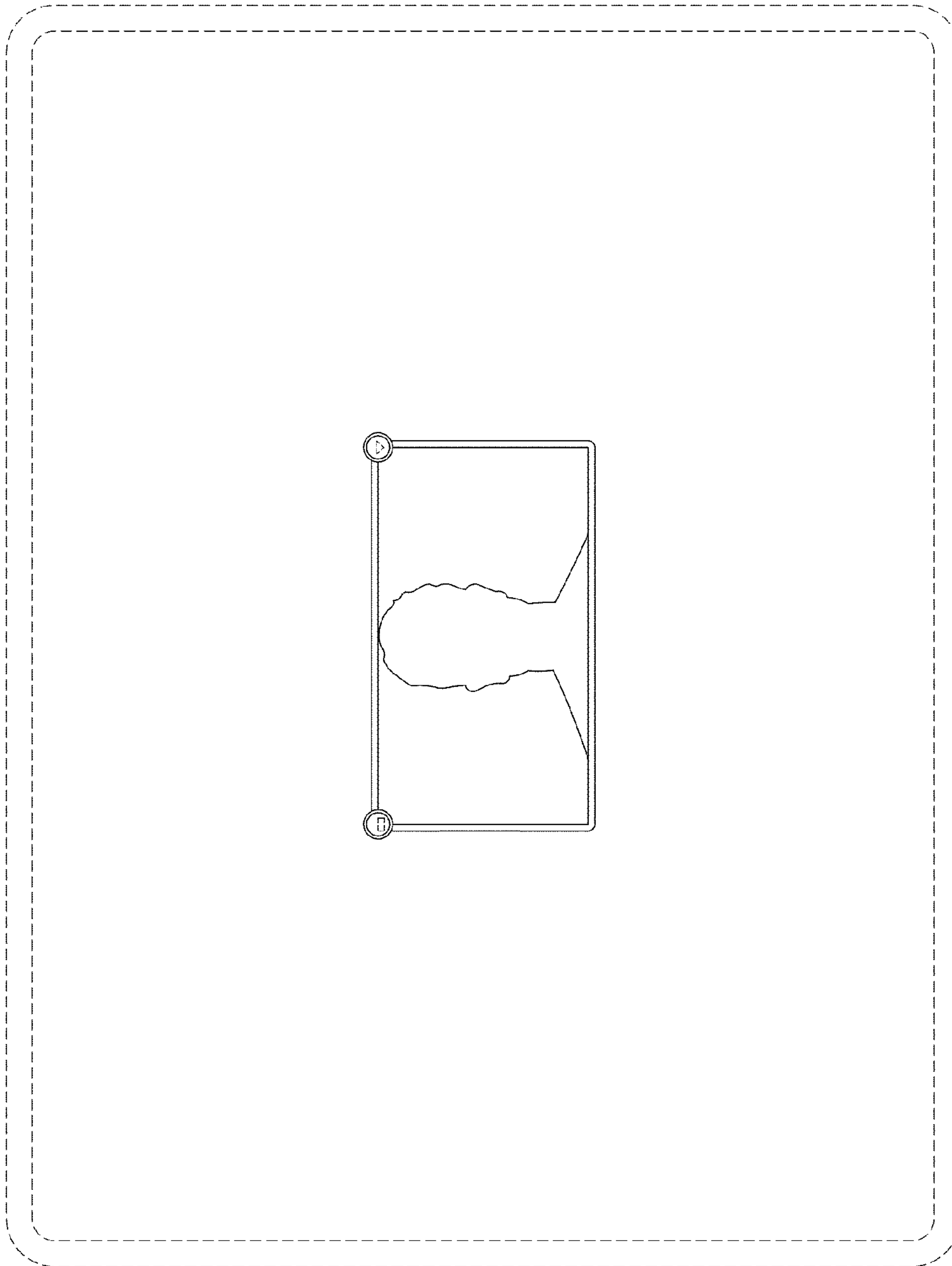


FIG. 10

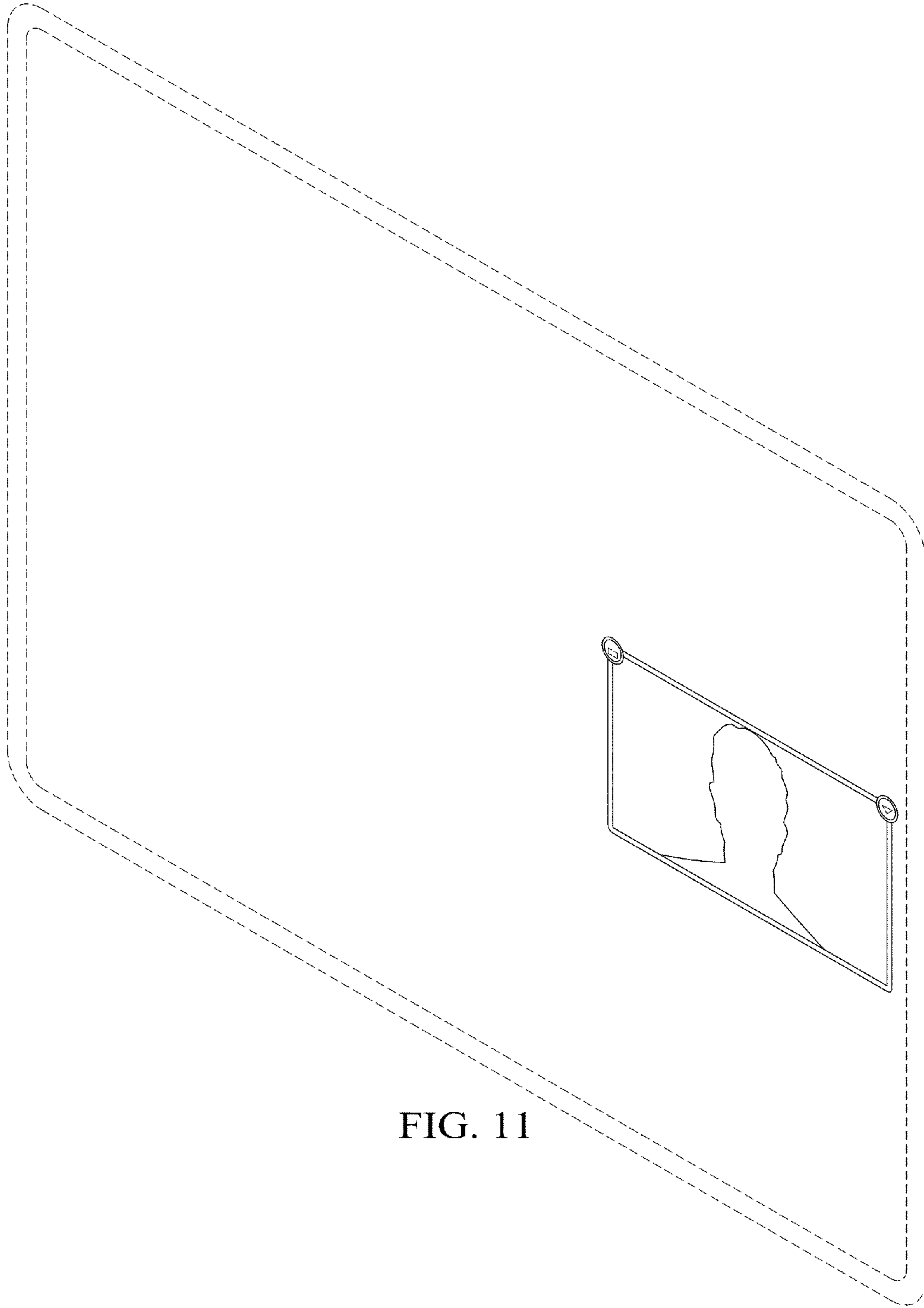


FIG. 11

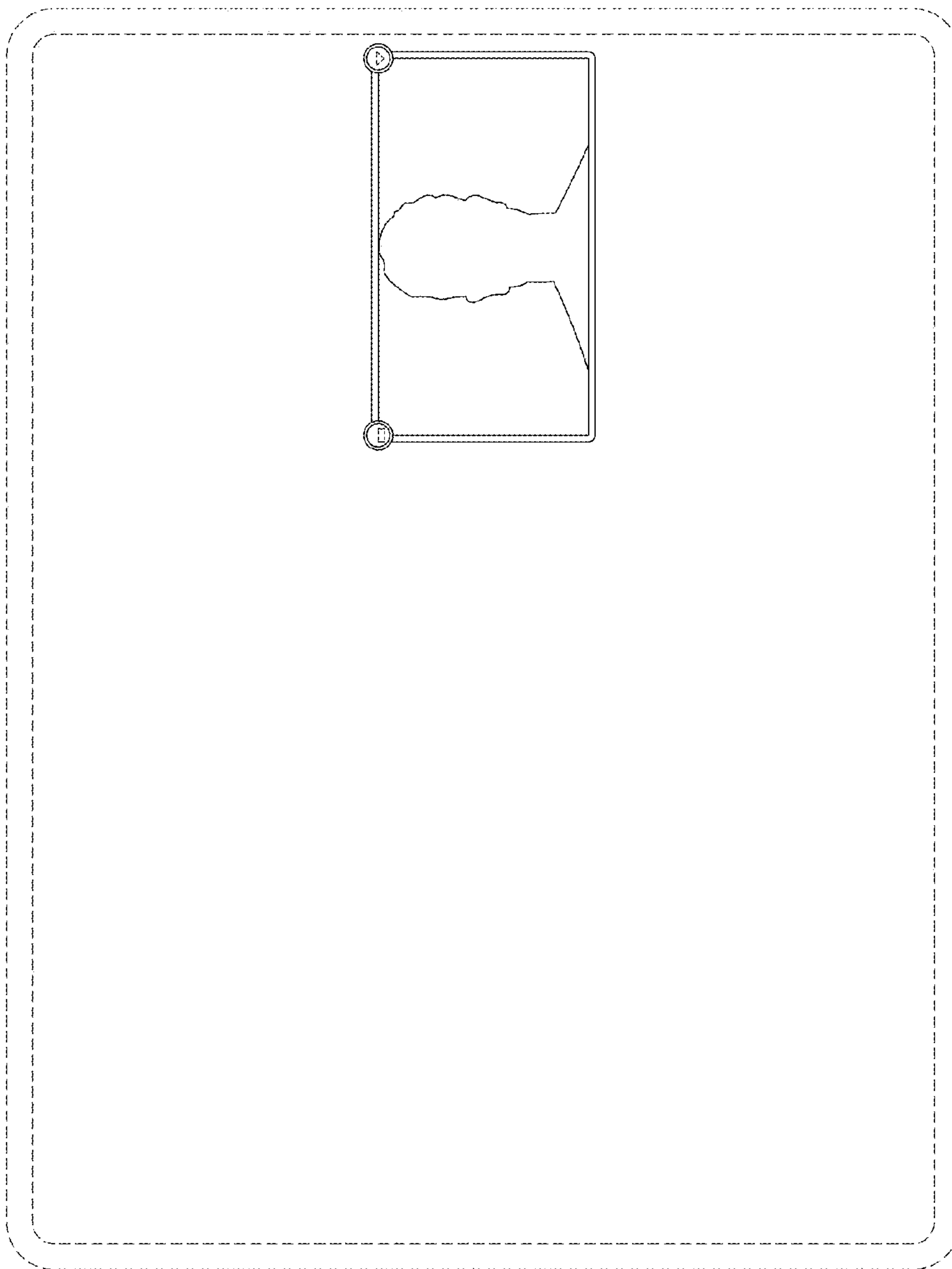


FIG. 12

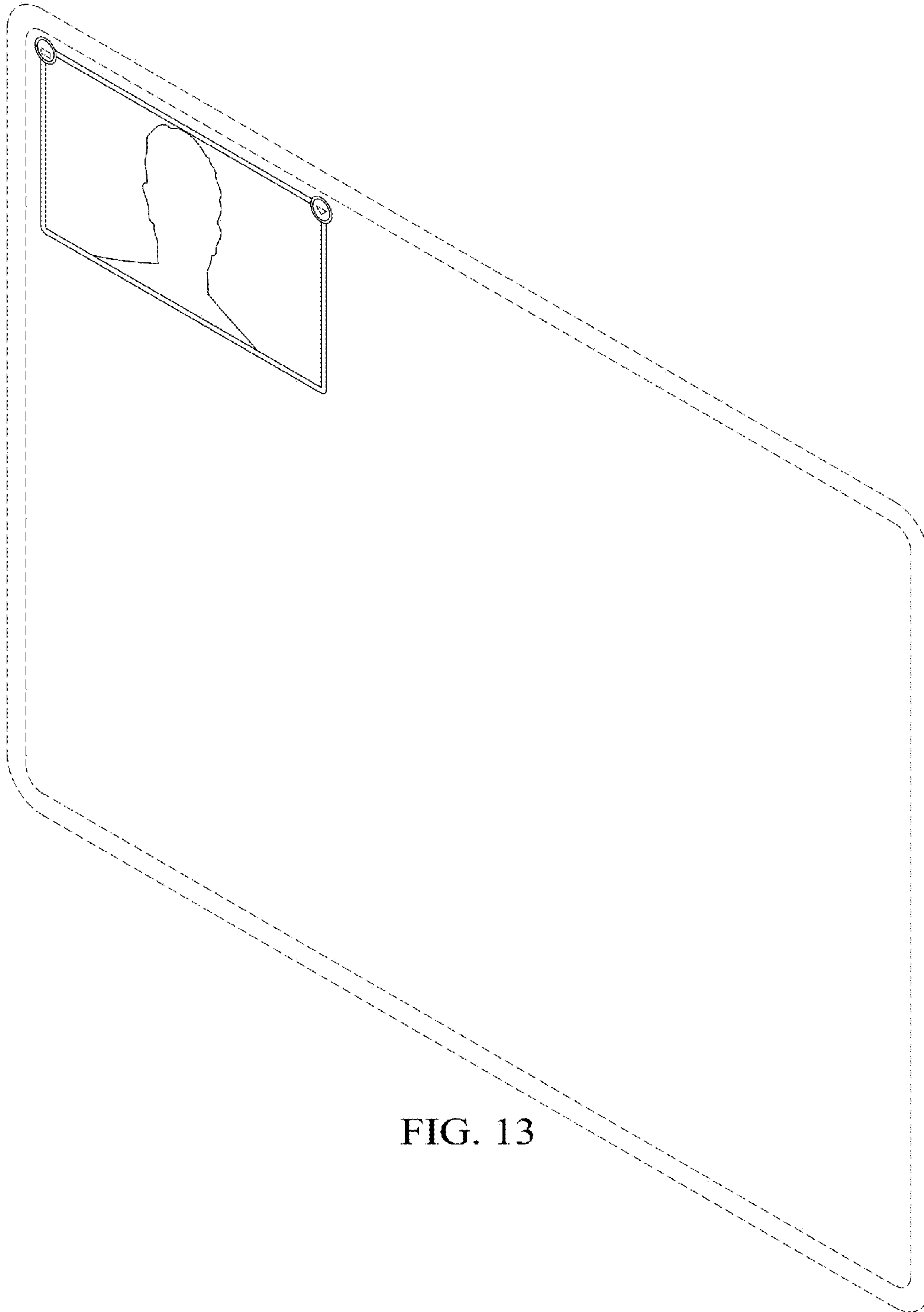


FIG. 13

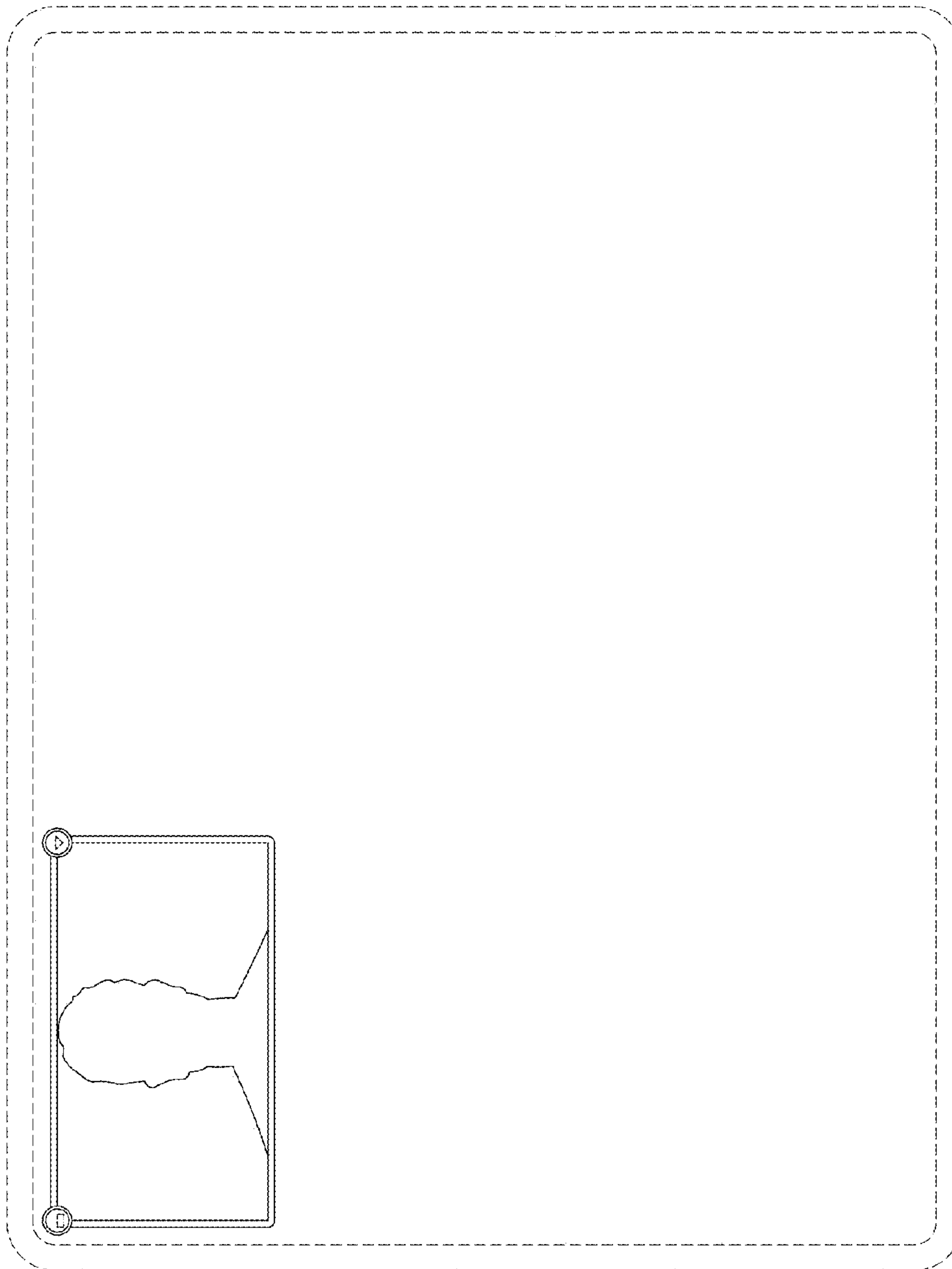


FIG. 14

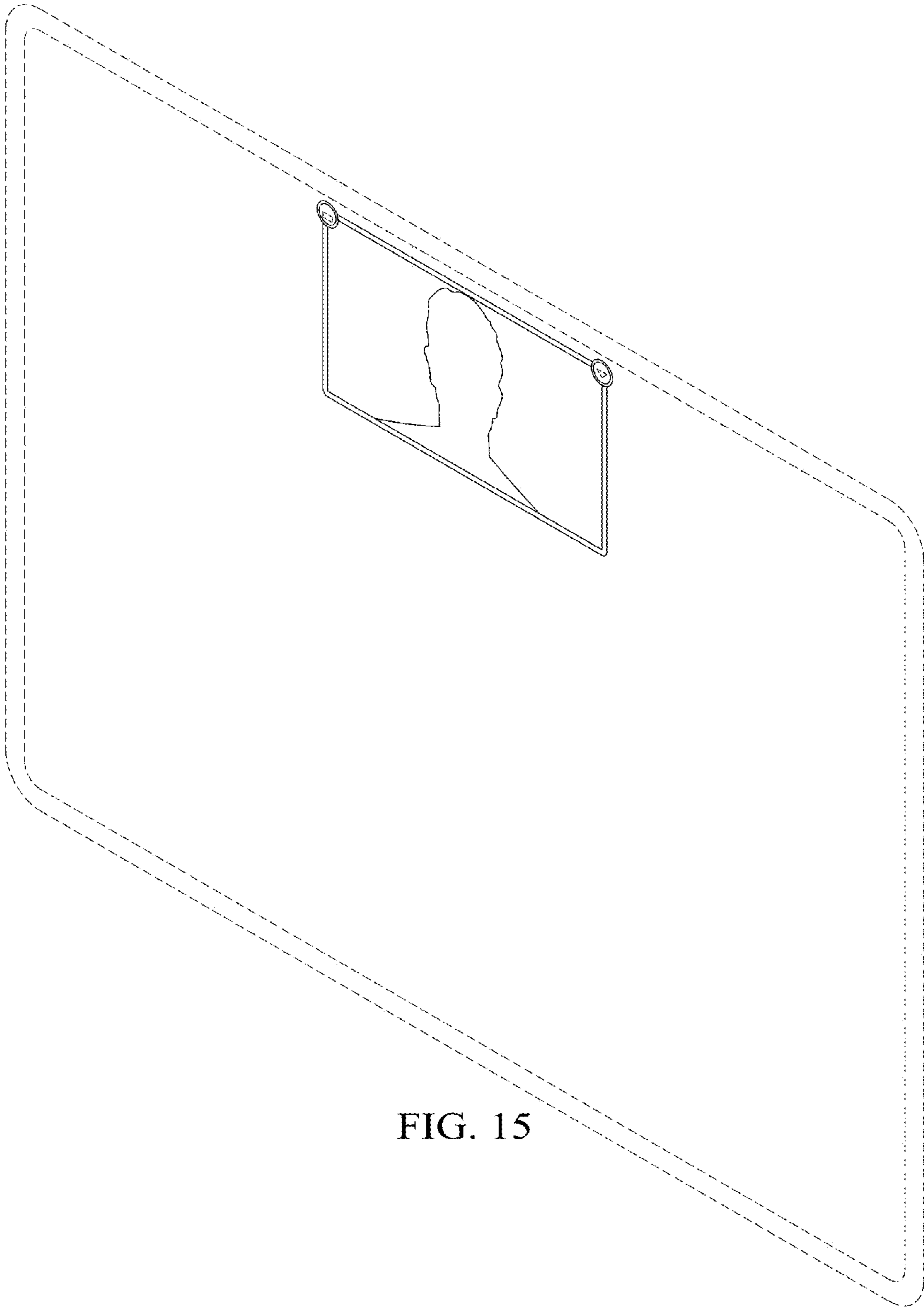


FIG. 15

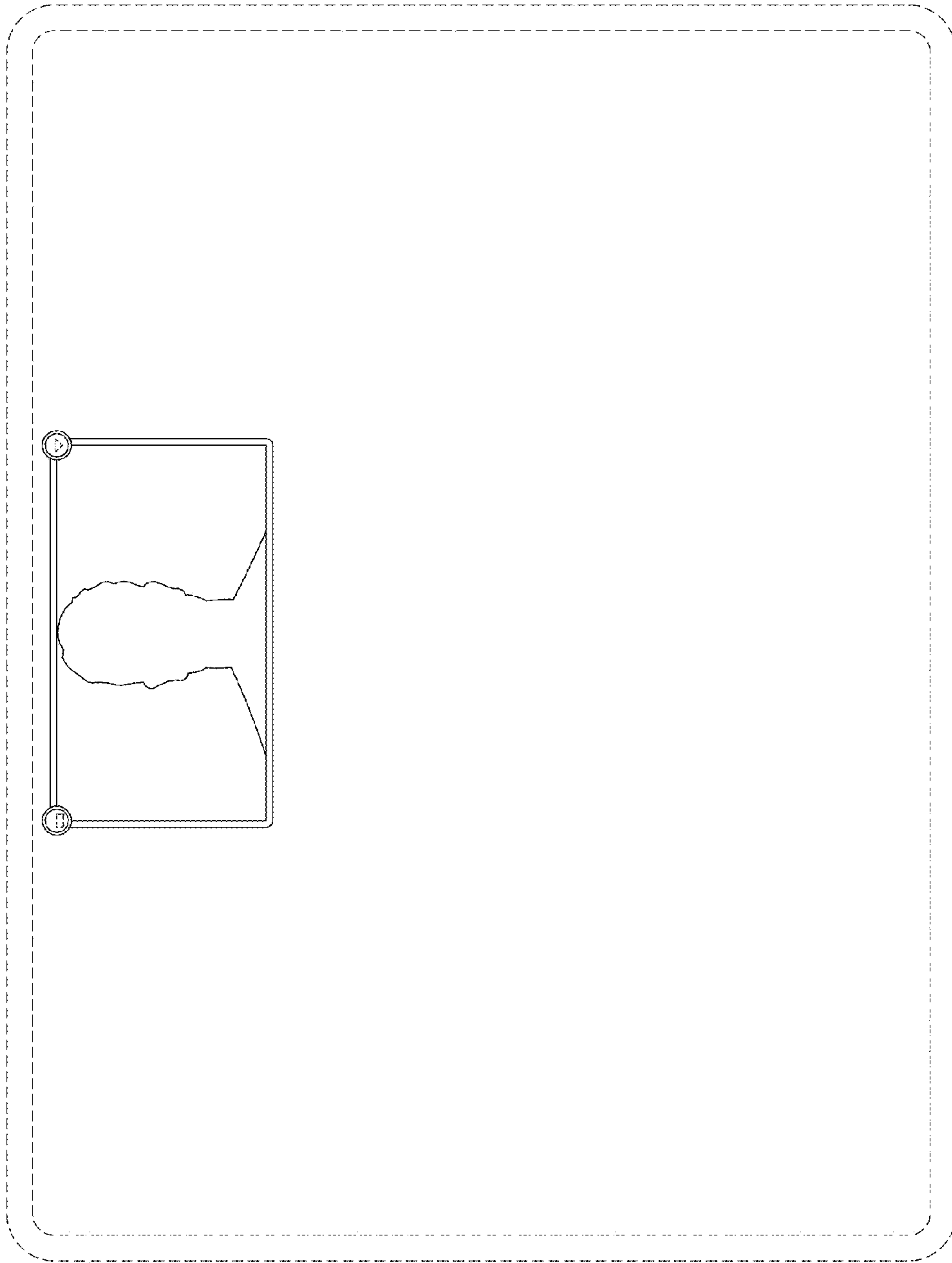


FIG. 16

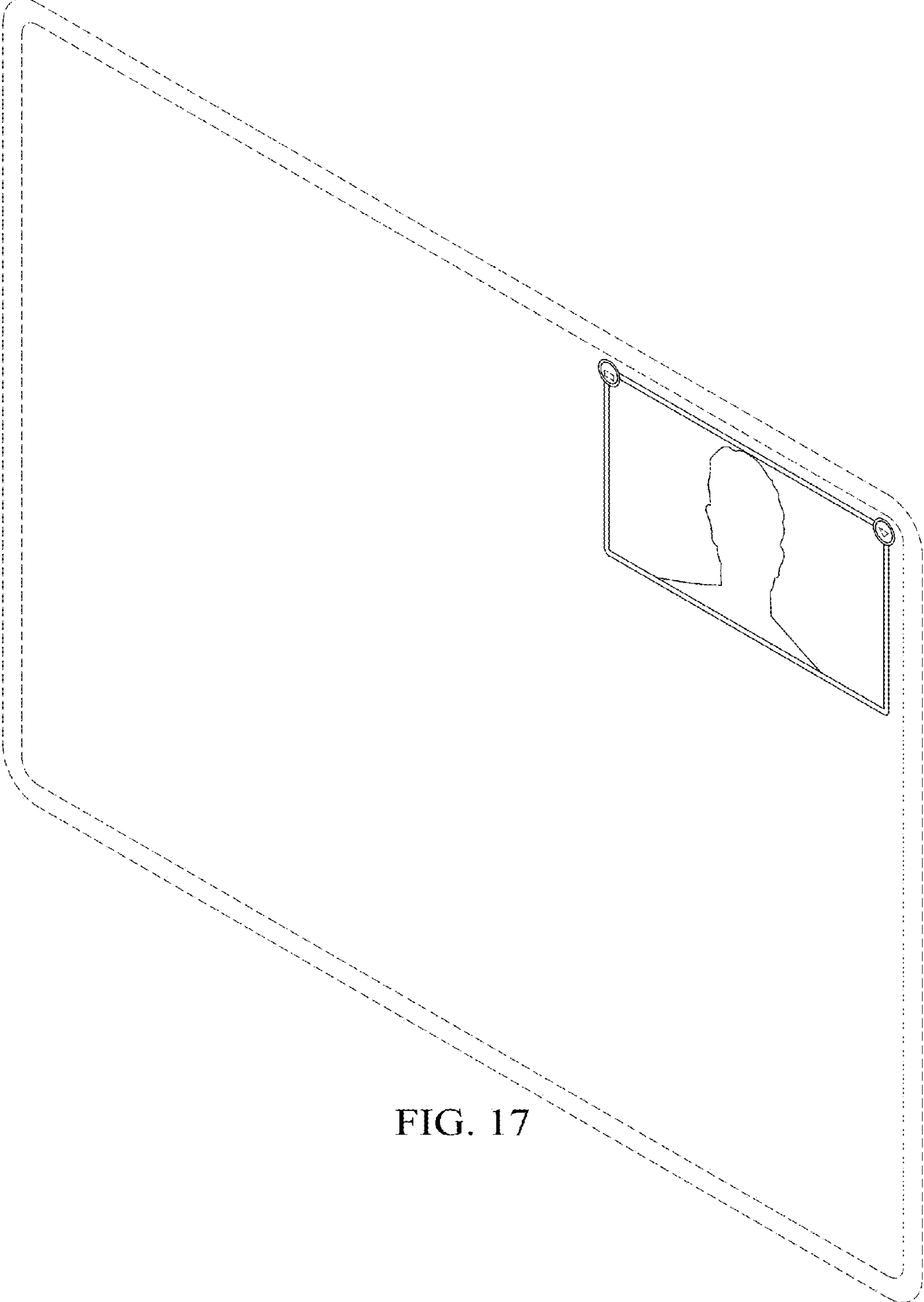


FIG. 17

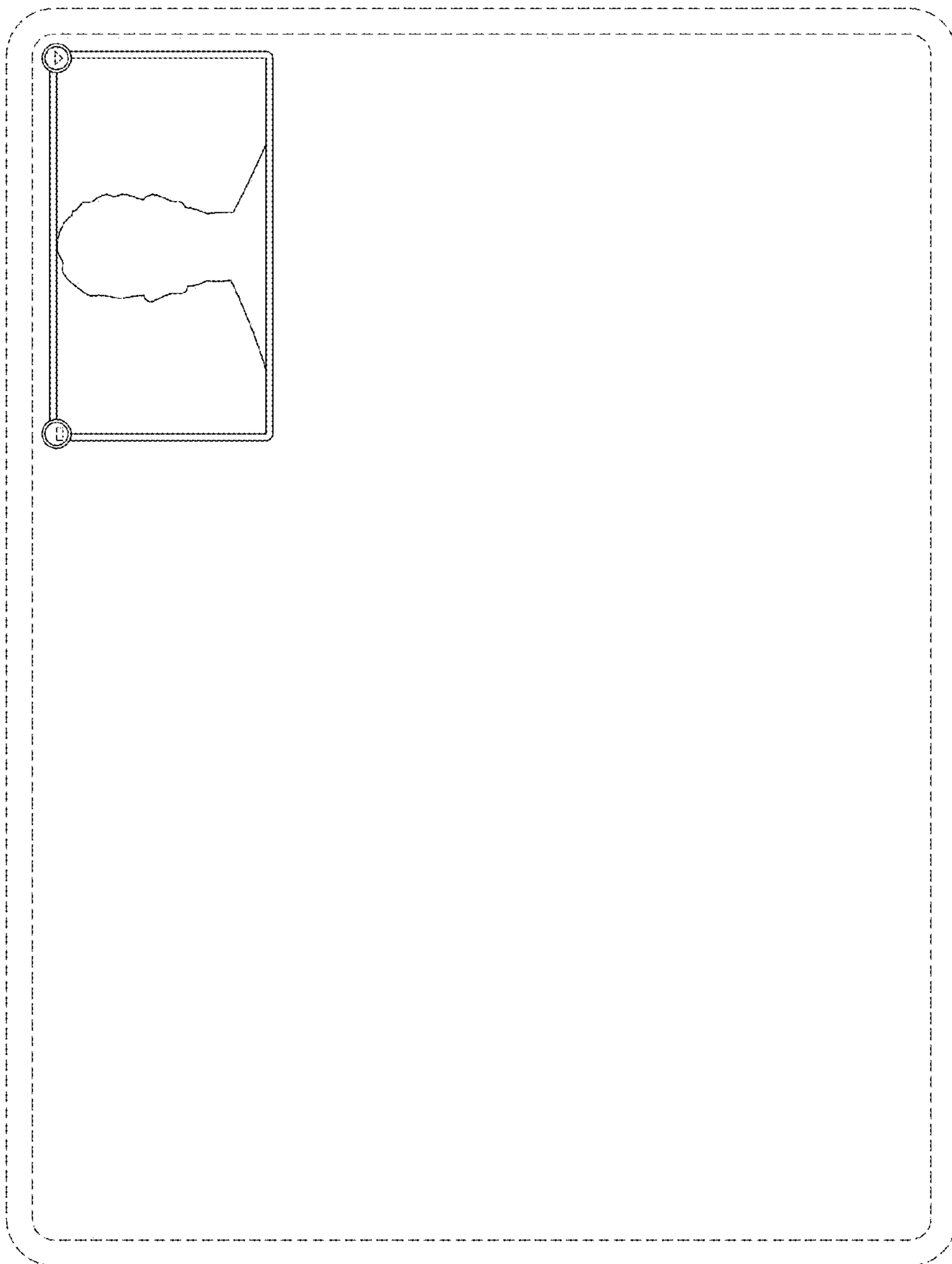


FIG. 18