



US00D684992S

(12) **United States Design Patent**  
**Wenz et al.**

(10) **Patent No.:** **US D684,992 S**  
(45) **Date of Patent:** **\*\* Jun. 25, 2013**

(54) **DISPLAY SCREEN WITH A GRAPHICAL INTERFACE**

(75) Inventors: **Oliver C. Wenz**, Petaluma, CA (US);  
**Michael J. Manning**, Campbell, CA (US); **Ji hyun Kim**, Alameda, CA (US)

(73) Assignee: **Cisco Technology, Inc.**, San Jose, CA (US)

(\*\*) Term: **14 Years**

(21) Appl. No.: **29/380,017**

(22) Filed: **Nov. 29, 2010**

(51) **LOC (9) Cl.** ..... **14-04**

(52) **U.S. Cl.**  
USPC ..... **D14/488**

(58) **Field of Classification Search**  
USPC ..... D14/485–488, 495; D18/31–33; D20/10,  
D20/11, 22, 23, 25, 27, 32; 715/751–753,  
715/756, 758, 759

See application file for complete search history.

(56) **References Cited**

U.S. PATENT DOCUMENTS

|                |         |                  |       |         |
|----------------|---------|------------------|-------|---------|
| D2,911 S *     | 2/1868  | Gautier          | ..... | D20/22  |
| D490,439 S *   | 5/2004  | Kates et al.     | ..... | D14/486 |
| D492,694 S *   | 7/2004  | Kates et al.     | ..... | D14/486 |
| D494,603 S *   | 8/2004  | Kates et al.     | ..... | D14/486 |
| 6,819,344 B2 * | 11/2004 | Robbins          | ..... | 715/848 |
| D500,788 S *   | 1/2005  | Kaplan           | ..... | D19/8   |
| 6,901,299 B1 * | 5/2005  | Whitehead et al. | ..... | 700/22  |
| 7,013,429 B2 * | 3/2006  | Fujimoto et al.  | ..... | 715/752 |
| 7,124,164 B1 * | 10/2006 | Chemtob          | ..... | 709/204 |
| D552,115 S *   | 10/2007 | Suzuki           | ..... | D14/485 |
| D554,652 S *   | 11/2007 | Shen et al.      | ..... | D14/485 |
| D561,197 S *   | 2/2008  | Okaro et al.     | ..... | D14/495 |
| D562,838 S *   | 2/2008  | Salunkhe         | ..... | D14/487 |
| 7,343,561 B1 * | 3/2008  | Stochosky et al. | ..... | 715/758 |
| D569,872 S *   | 5/2008  | Suzuki           | ..... | D14/485 |
| 7,386,798 B1 * | 6/2008  | Heikes et al.    | ..... | 715/752 |
| 7,496,499 B2 * | 2/2009  | Asada            | ..... | 704/8   |

(Continued)

OTHER PUBLICATIONS

U.S. Appl. No. 29/380,005, filed Nov. 29, 2010, entitled “Interface Element,” Inventor(s): Oliver C. Wenz et al.

(Continued)

*Primary Examiner* — Karen E Kearney

(57) **CLAIM**

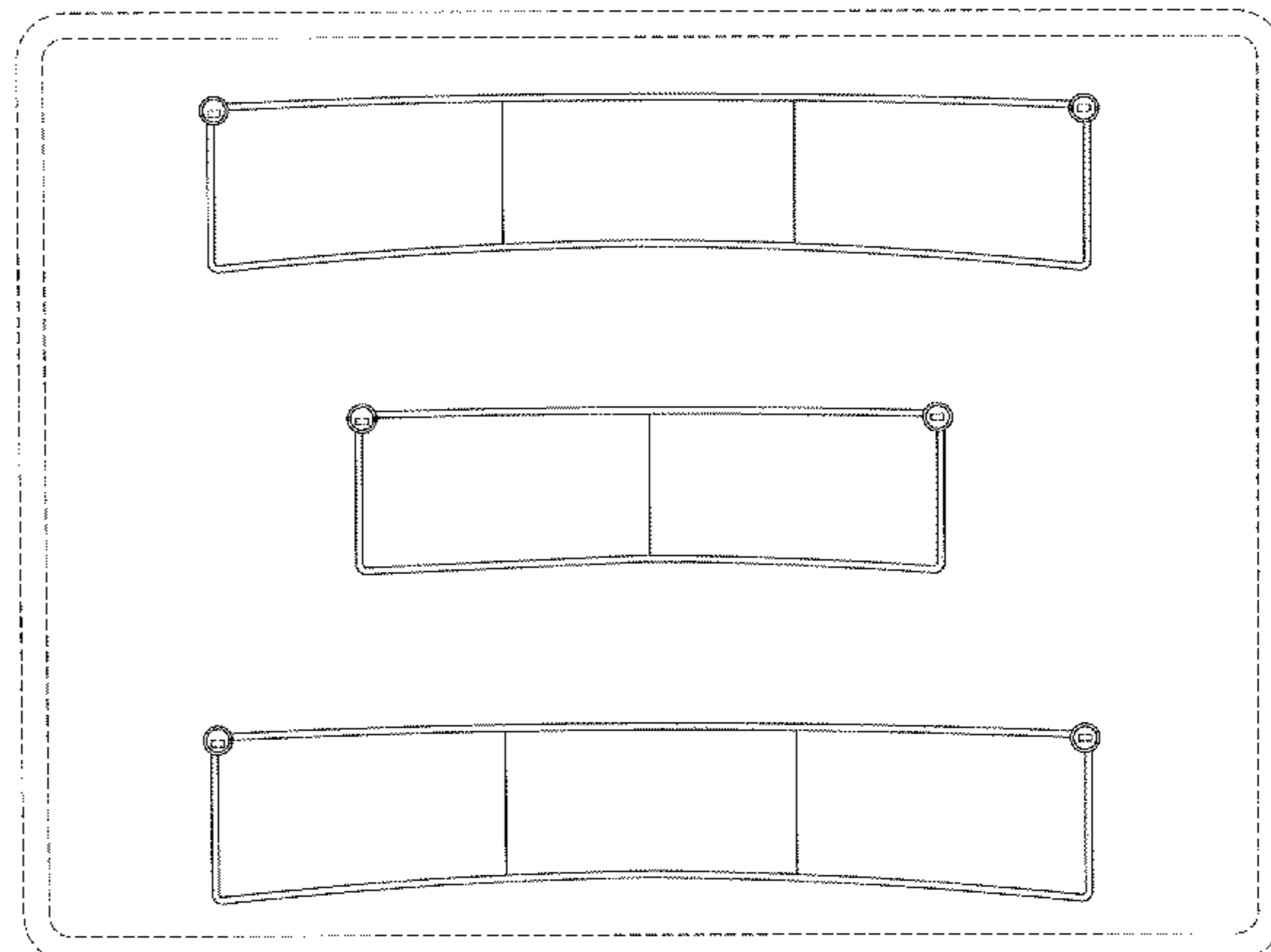
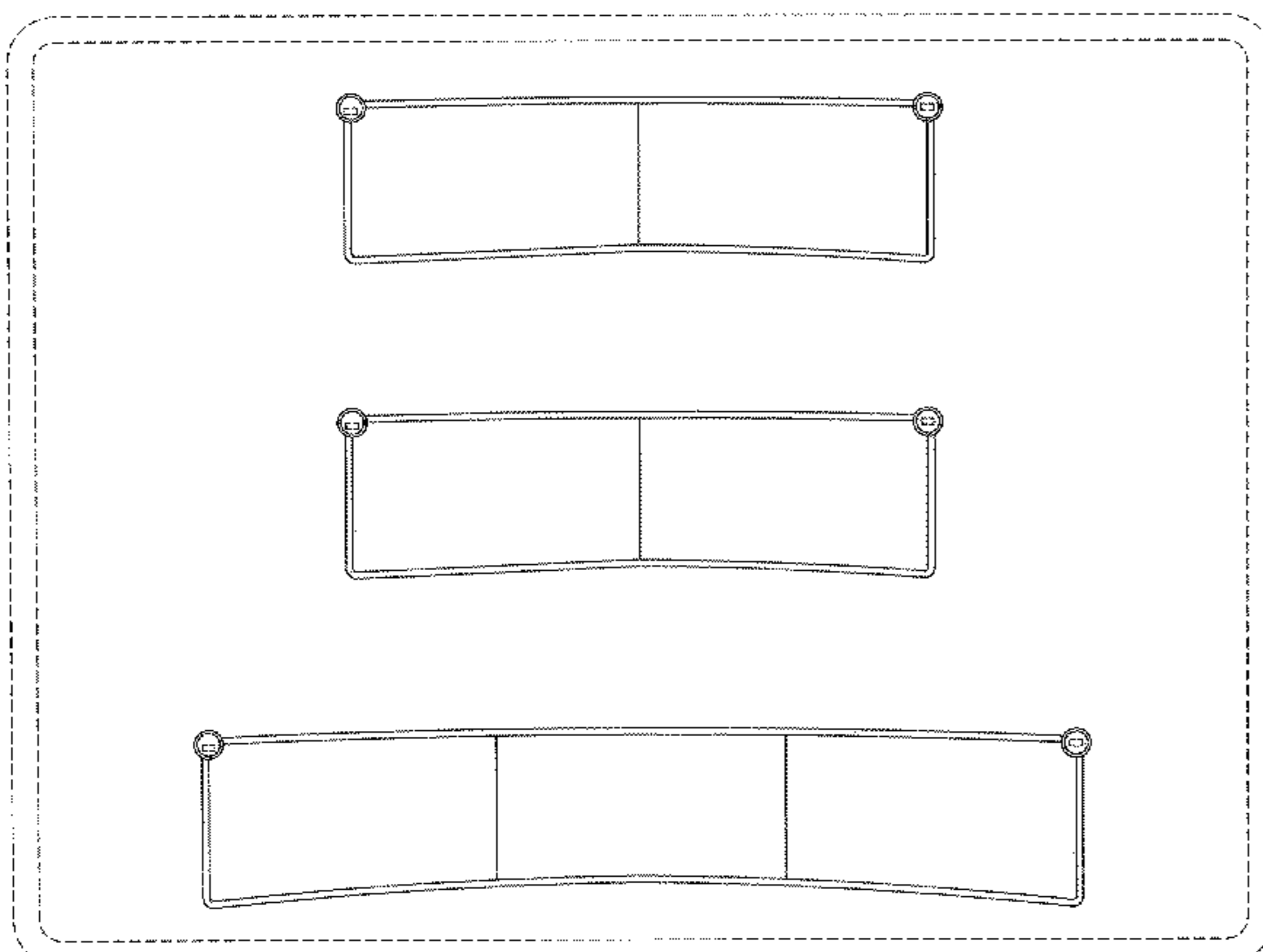
The ornamental design for a display screen with a graphical interface, as shown and described.

**DESCRIPTION**

FIG. 1 is a perspective view illustrating a display screen with a graphical interface according to one embodiment;  
 FIG. 2 is a front view thereof;  
 FIG. 3 is a perspective view illustrating a display screen with a graphical interface according to a second embodiment;  
 FIG. 4 is a front view thereof;  
 FIG. 5 is a perspective view illustrating a display screen with a graphical interface according to a third embodiment;  
 FIG. 6 is a front view thereof;  
 FIG. 7 is a perspective view illustrating a display screen with a graphical interface according to a fourth embodiment;  
 FIG. 8 is a front view thereof;  
 FIG. 9 is a perspective view illustrating a display screen with a graphical interface according to a fifth embodiment;  
 FIG. 10 is a front view thereof;  
 FIG. 11 is a perspective view illustrating a display screen with a graphical interface according to a sixth embodiment; and,  
 FIG. 12 is a front view thereof.

The broken line showings of the display screen and rectangles are included for the purpose of illustrating environmental structure and portions of the display screen with a graphical interface. The broken lines form no part of the claimed design.

**1 Claim, 12 Drawing Sheets**



U.S. PATENT DOCUMENTS

|              |      |         |                       |           |
|--------------|------|---------|-----------------------|-----------|
| D594,467     | S *  | 6/2009  | Kase .....            | D14/488   |
| 7,577,913    | B1 * | 8/2009  | Donoho .....          | 715/757   |
| D601,582     | S *  | 10/2009 | Chaudhri et al. ....  | D14/495   |
| D614,191     | S *  | 4/2010  | Takano et al. ....    | D14/486   |
| D624,930     | S *  | 10/2010 | Agnetta et al. ....   | D14/487   |
| D630,224     | S *  | 1/2011  | Allen .....           | D14/485   |
| 7,865,834    | B1 * | 1/2011  | van Os et al. ....    | 715/756   |
| D633,921     | S *  | 3/2011  | Brinda .....          | D14/488   |
| D636,401     | S *  | 4/2011  | Vance et al. ....     | D14/486   |
| D637,605     | S *  | 5/2011  | Brinda .....          | D14/488   |
| D638,432     | S *  | 5/2011  | Flik et al. ....      | D14/486   |
| D642,586     | S *  | 8/2011  | Jones et al. ....     | D14/485   |
| D648,741     | S *  | 11/2011 | Lemay .....           | D14/493   |
| 2004/0080534 | A1 * | 4/2004  | Quach .....           | 345/751   |
| 2005/0262542 | A1 * | 11/2005 | DeWeese et al. ....   | 725/106   |
| 2007/0192728 | A1 * | 8/2007  | Finley et al. ....    | 715/782   |
| 2007/0300164 | A1 * | 12/2007 | Bhogal et al. ....    | 715/753   |
| 2008/0244419 | A1 * | 10/2008 | Kurpick et al. ....   | 715/756   |
| 2009/0089683 | A1 * | 4/2009  | Thapa .....           | 715/756   |
| 2009/0157709 | A1 * | 6/2009  | Kruger et al. ....    | 707/100   |
| 2009/0234721 | A1 * | 9/2009  | Bigelow et al. ....   | 705/12    |
| 2009/0254843 | A1 * | 10/2009 | Van Wie et al. ....   | 715/757   |
| 2010/0073454 | A1 * | 3/2010  | Lovhaugen et al. .... | 348/14.03 |
| 2010/0122183 | A1 * | 5/2010  | Babaian et al. ....   | 715/752   |
| 2011/0320044 | A1 * | 12/2011 | Smith et al. ....     | 700/276   |
| 2012/0317501 | A1 * | 12/2012 | Milou .....           | 715/753   |

OTHER PUBLICATIONS

U.S. Appl. No. 29/380,007, filed Nov. 29, 2010, entitled "Interface Element," Inventor(s): Oliver C. Wenz et al.  
 U.S. Appl. No. 29/380,008, filed Nov. 29, 2010, entitled "Interface Element," Inventor(s): Oliver C. Wenz et al.  
 U.S. Appl. No. 29/380,011, filed Nov. 29, 2010, entitled "Interface Element," Inventor(s): Oliver C. Wenz et al.  
 U.S. Appl. No. 29/380,012, filed Nov. 29, 2010, entitled "Interface Element," Inventor(s): Oliver C. Wenz et al.  
 U.S. Appl. No. 29/380,014, filed Nov. 29, 2010, entitled "Interface Element," Inventor(s): Oliver C. Wenz et al.  
 U.S. Appl. No. 29/380,018, filed Nov. 29, 2010, entitled "Interface Element," Inventor(s): Oliver C. Wenz et al.  
 U.S. Appl. No. 29/380,019, filed Nov. 29, 2010, entitled "Interface Element," Inventor(s): Oliver C. Wenz et al.  
 U.S. Appl. No. 29/380,021, filed Nov. 29, 2010, entitled "Interface Element," Inventor(s): Oliver C. Wenz et al.  
 U.S. Appl. No. 29/380,022, filed Nov. 29, 2010, entitled "Interface Element," Inventor(s): Oliver C. Wenz et al.  
 U.S. Appl. No. 29/380,023, filed Nov. 29, 2010, entitled "Interface Element," Inventor(s): Oliver C. Wenz et al.  
 Vizard, Mike, "Intel CEO Demos Video Conferencing on a Smartphone," CTO Edge, Jan. 8, 2010; 2 pages; <http://www.ctoedge.com/content/intel-ceo-demos-video-conferencing-smartphone>.

\* cited by examiner

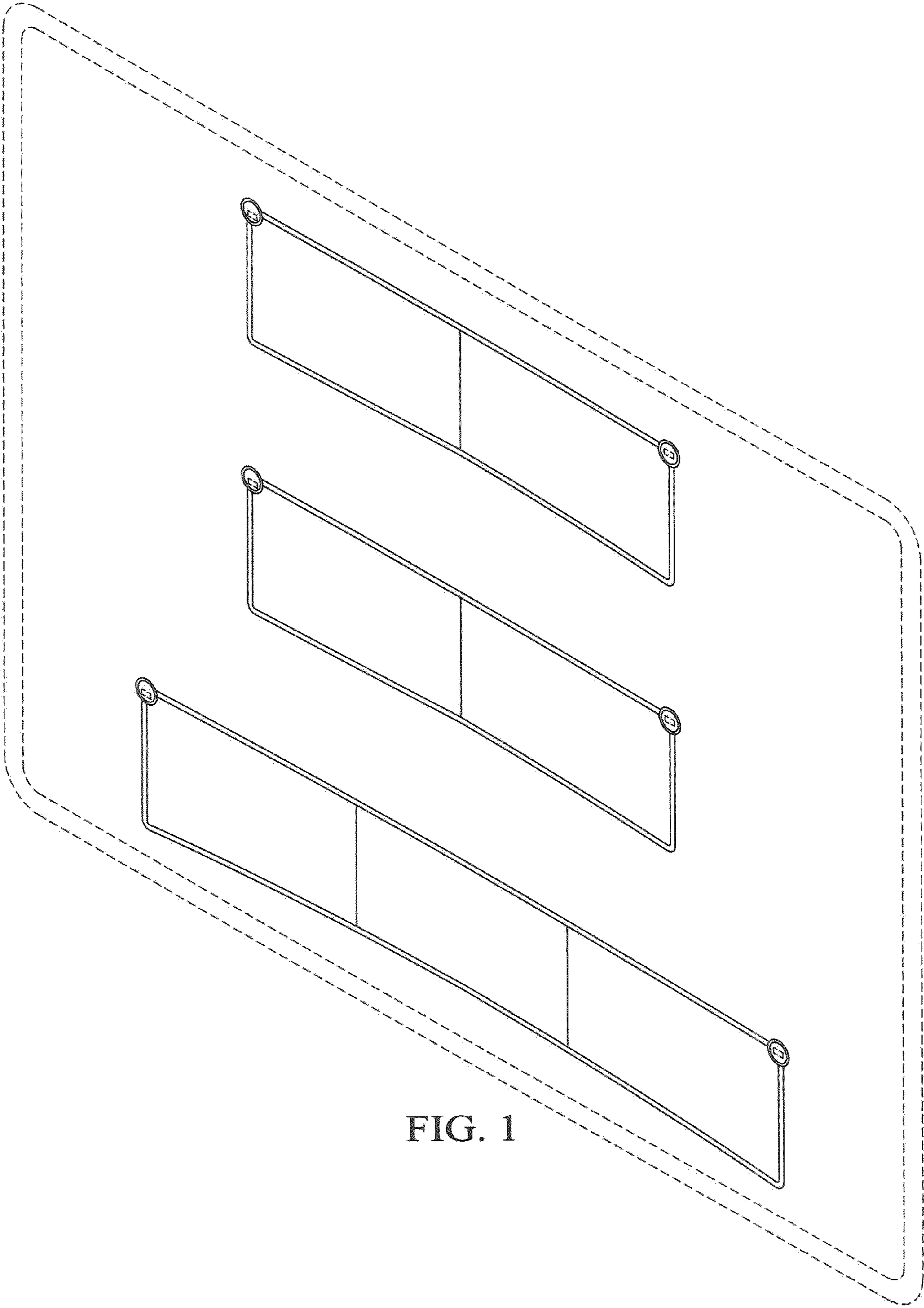


FIG. 1

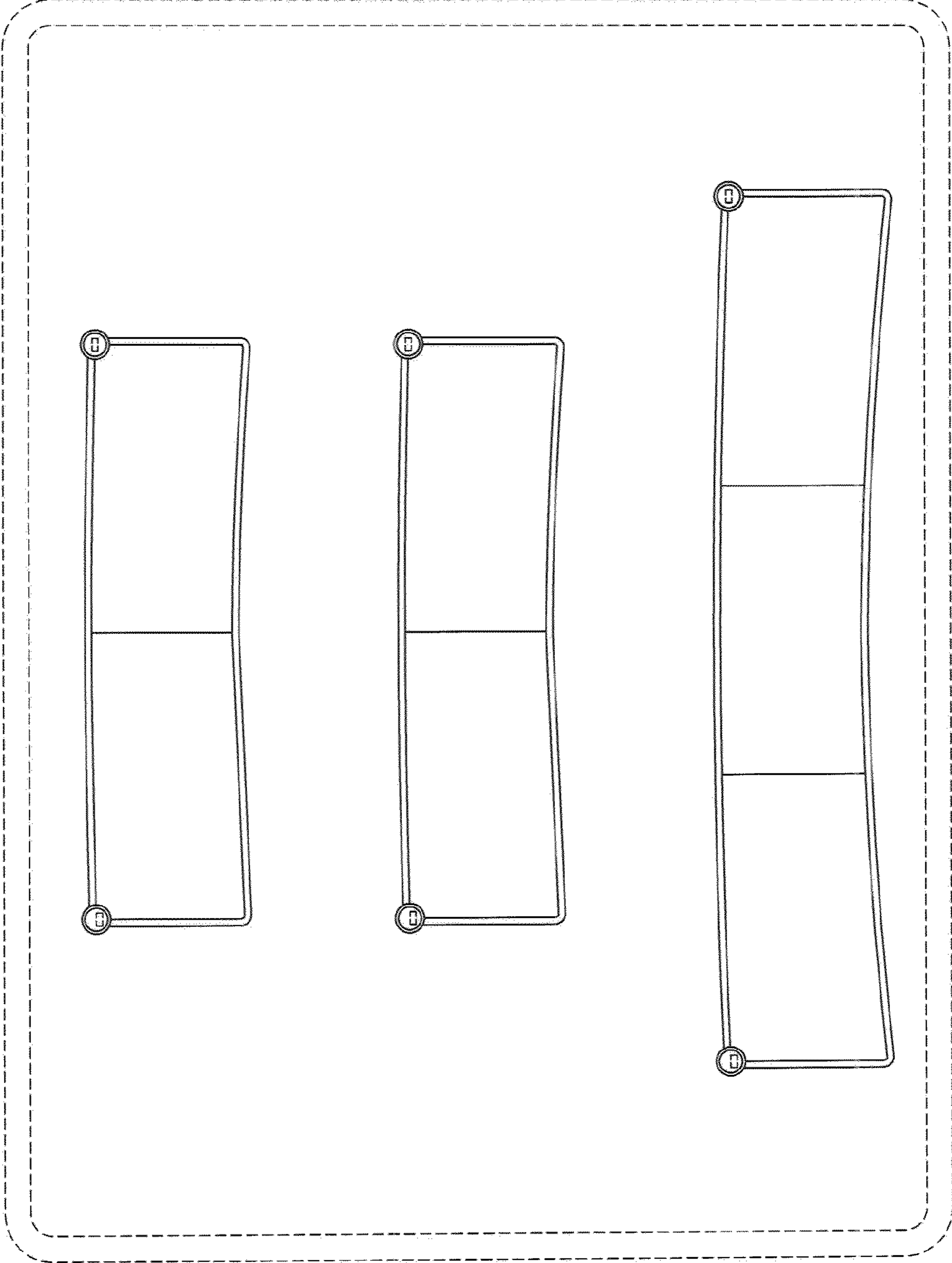


FIG. 2

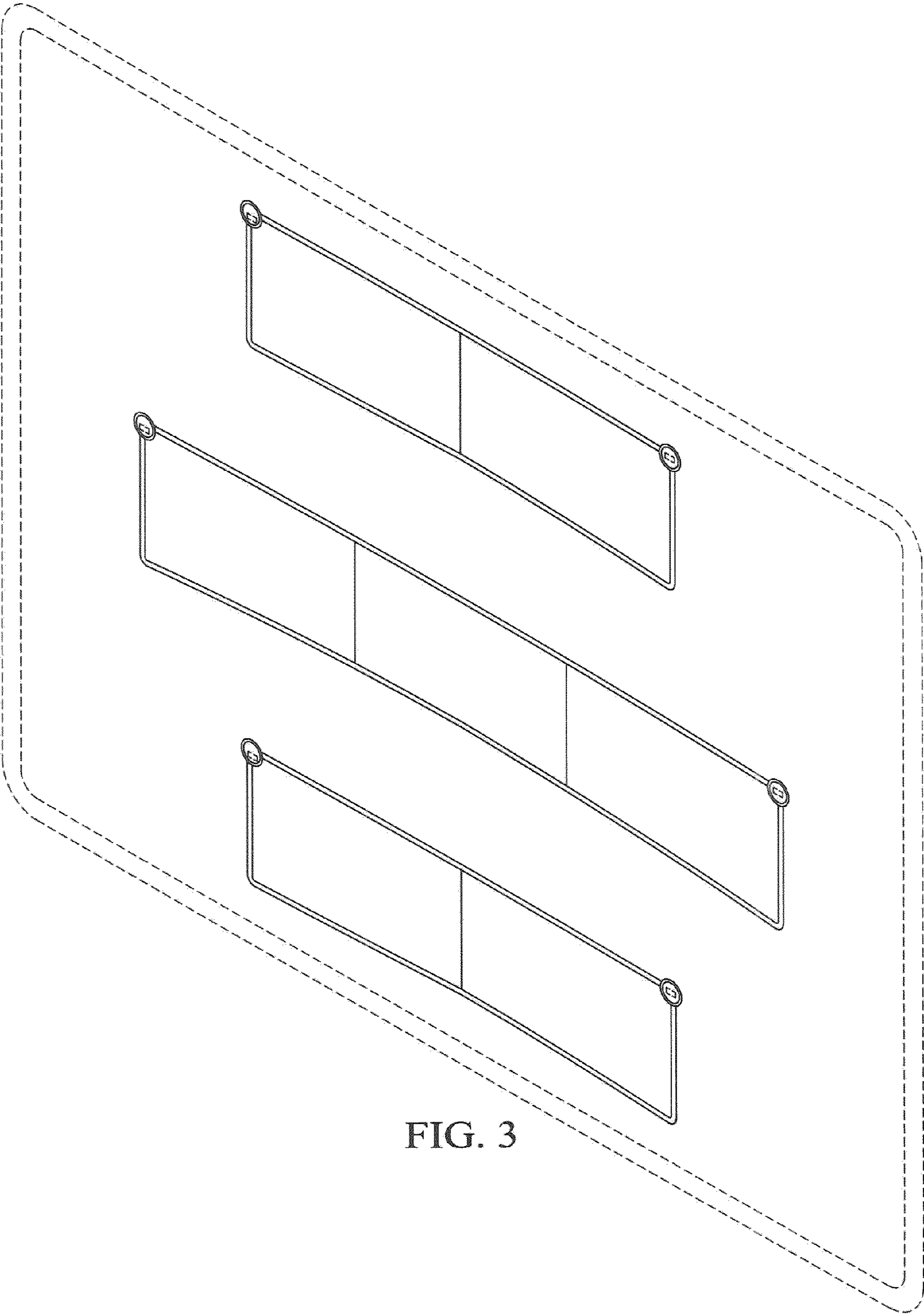


FIG. 3

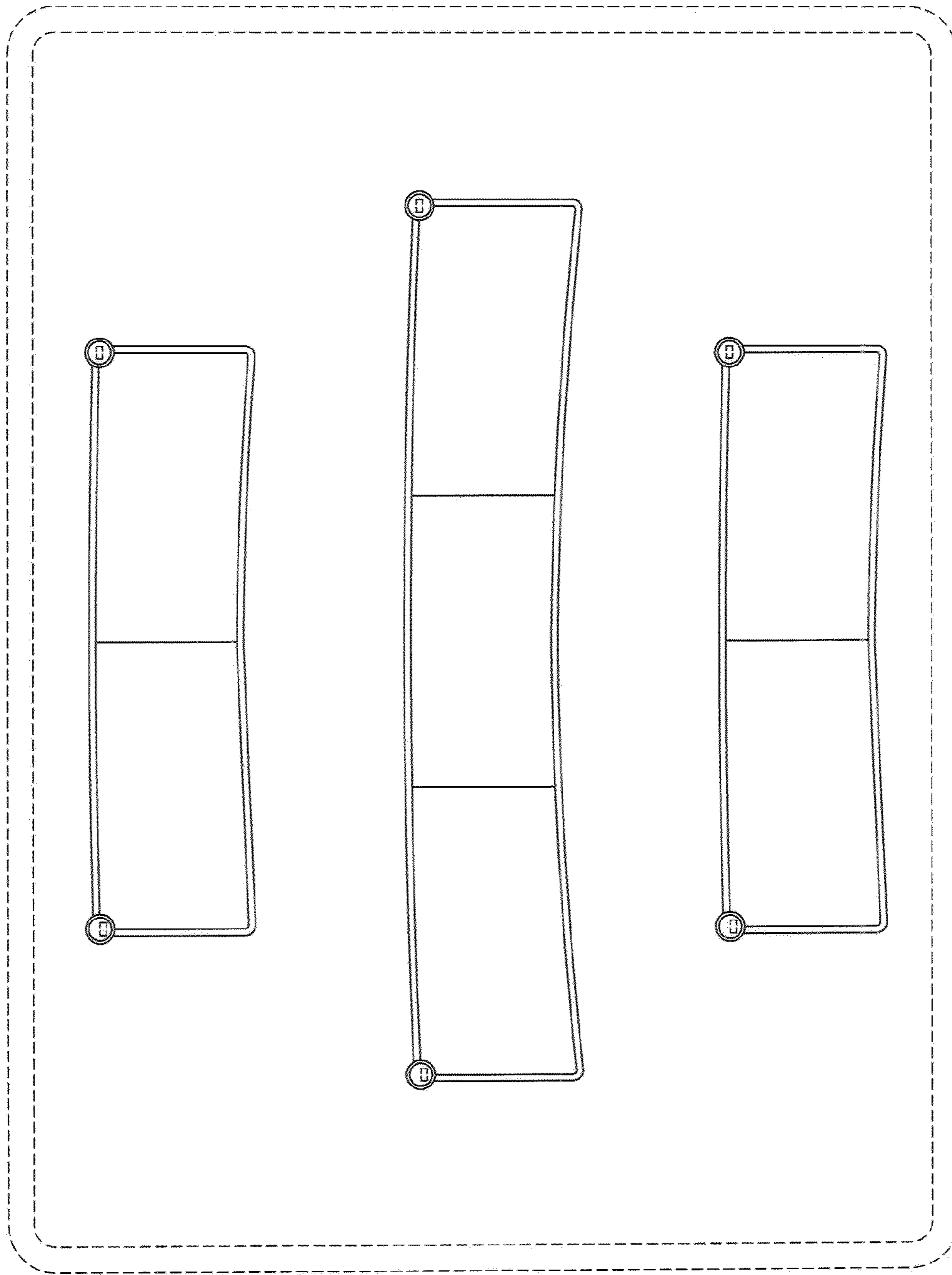


FIG. 4

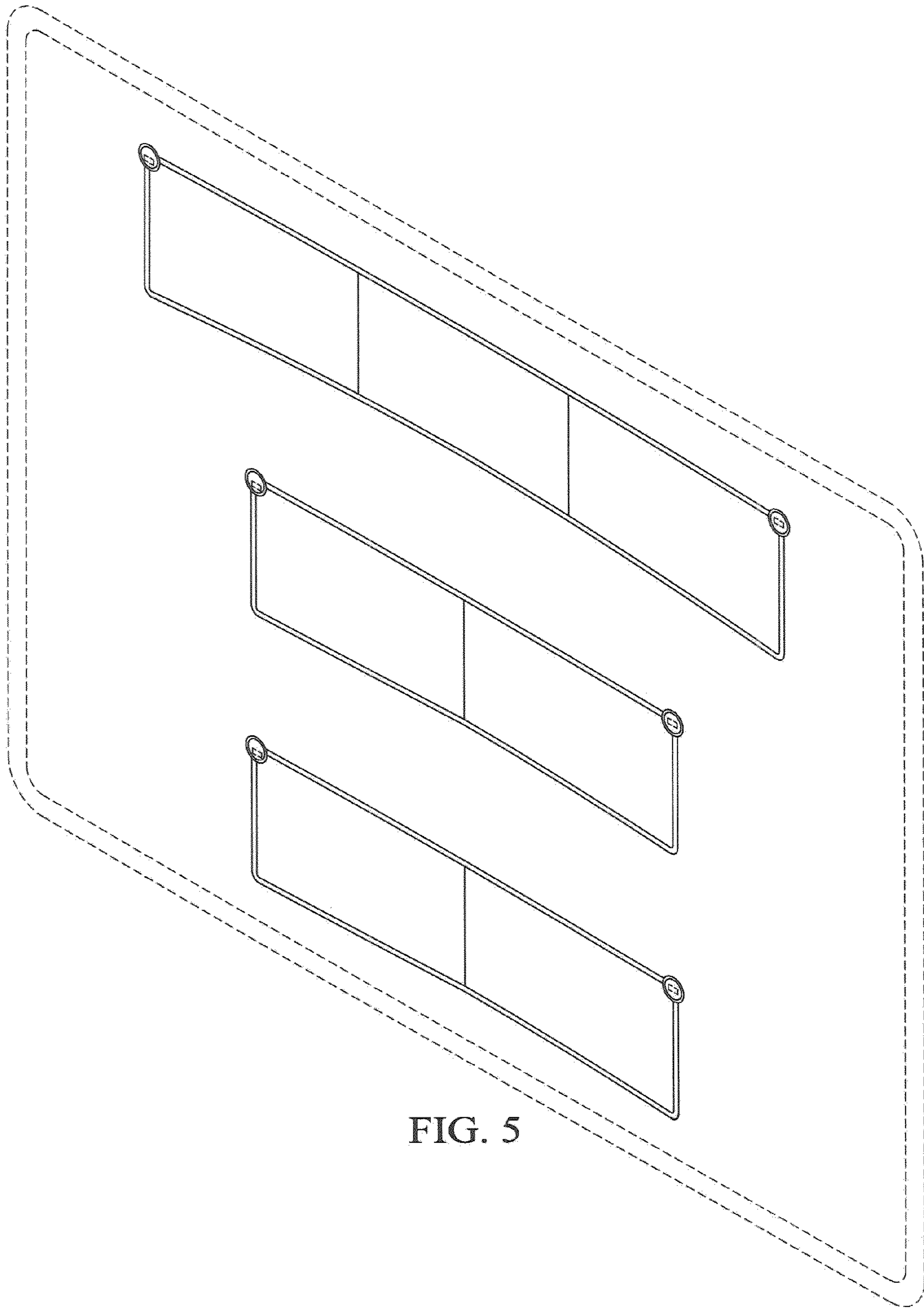


FIG. 5

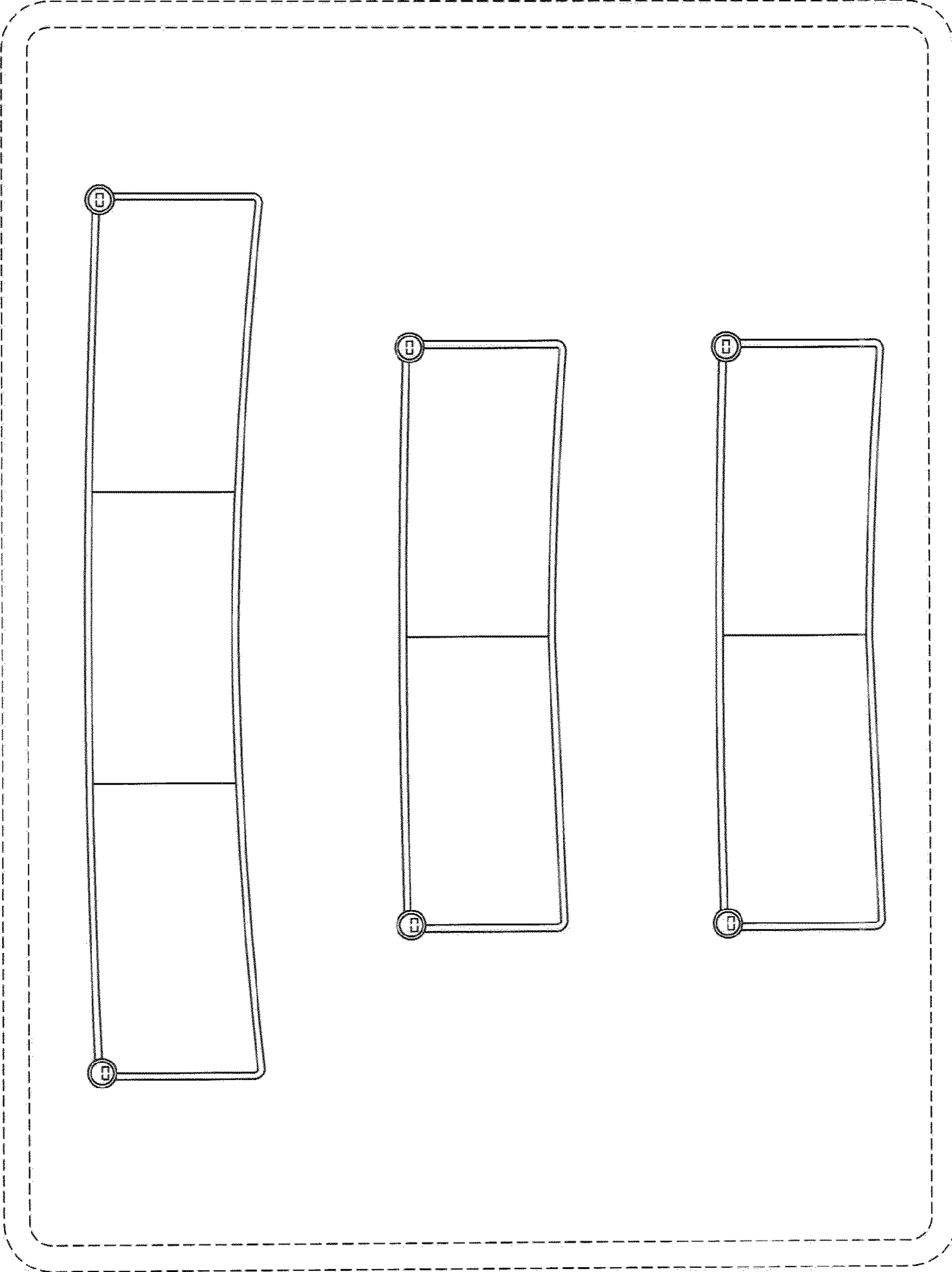


FIG. 6



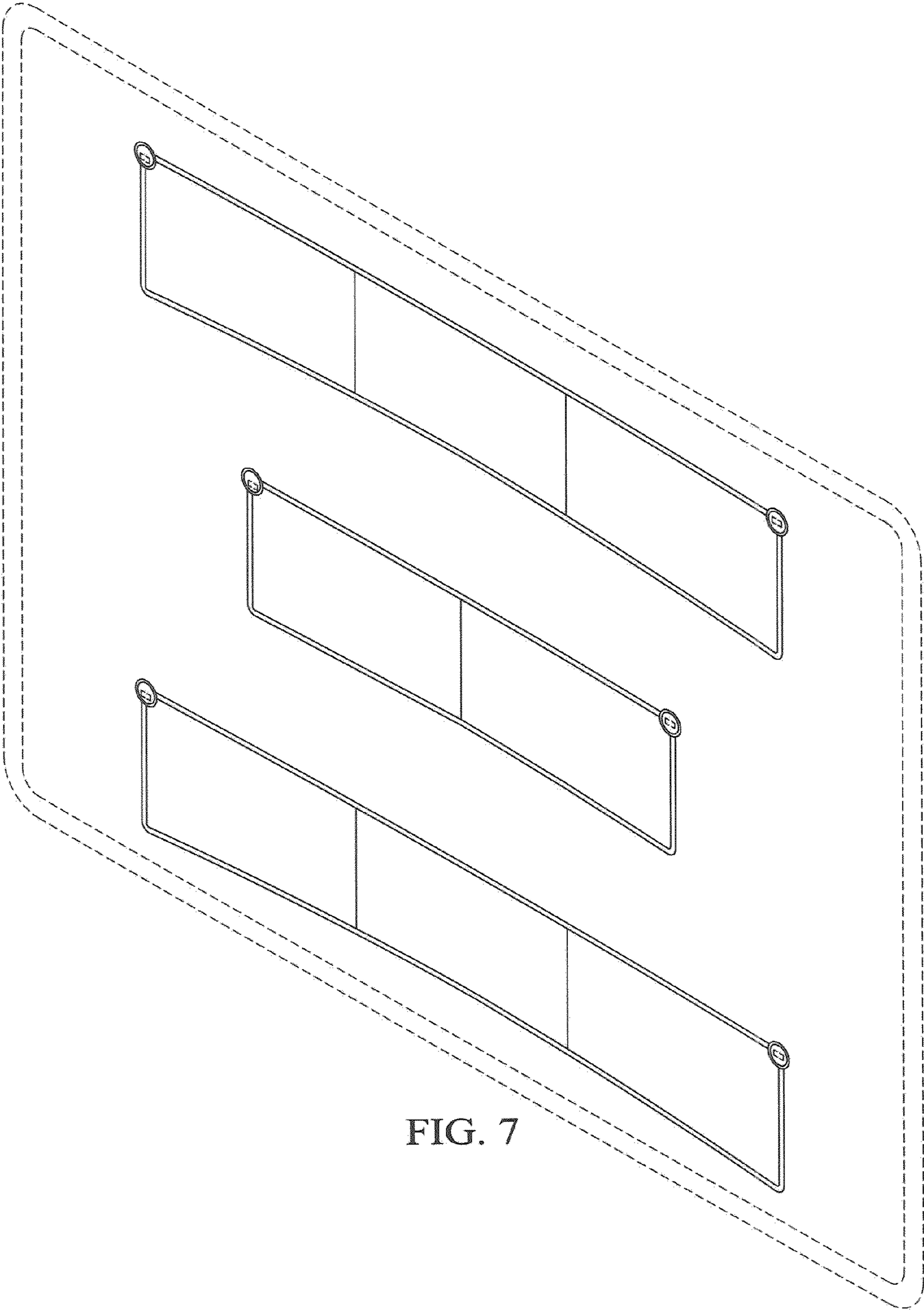


FIG. 7

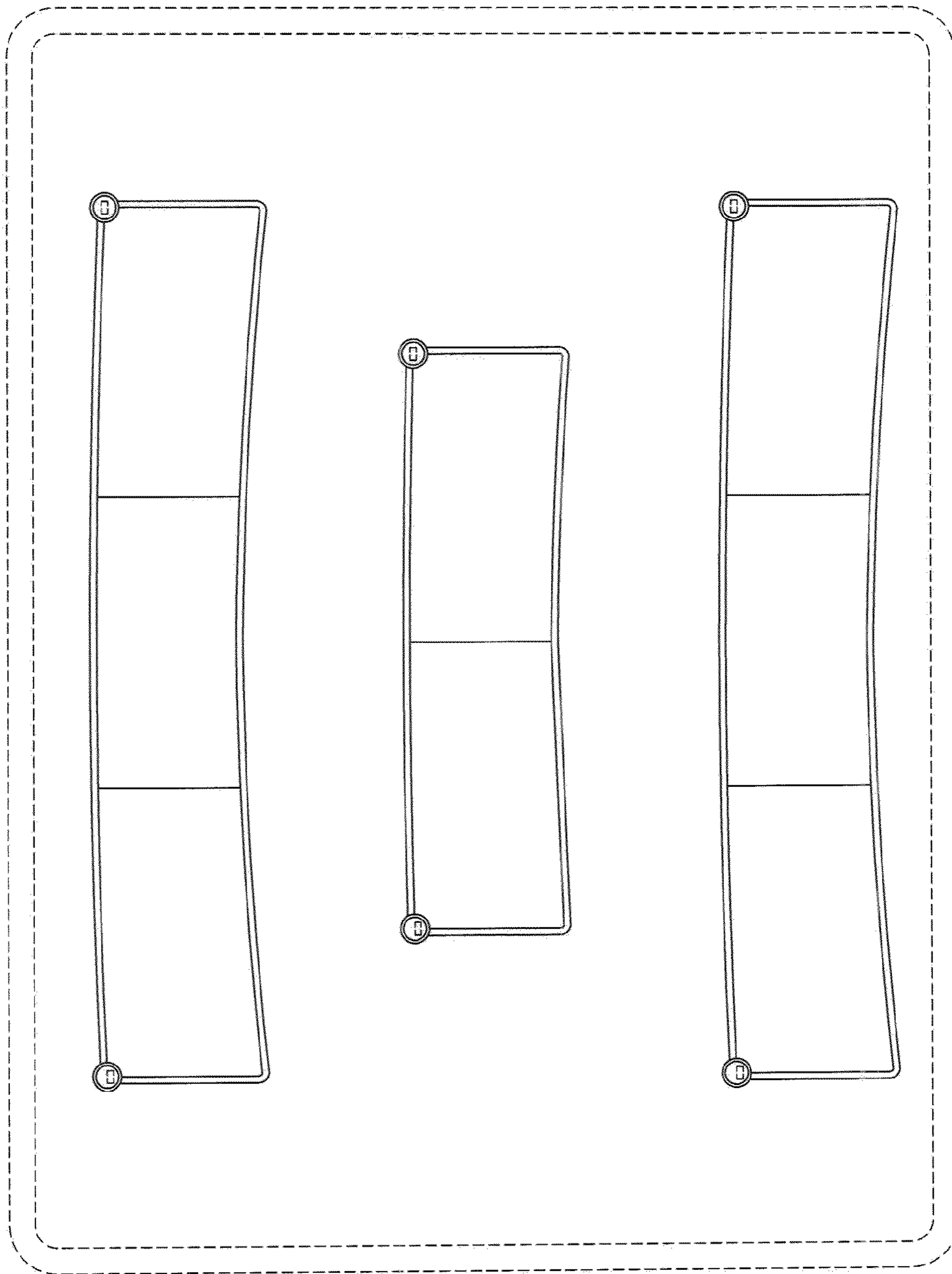


FIG. 8

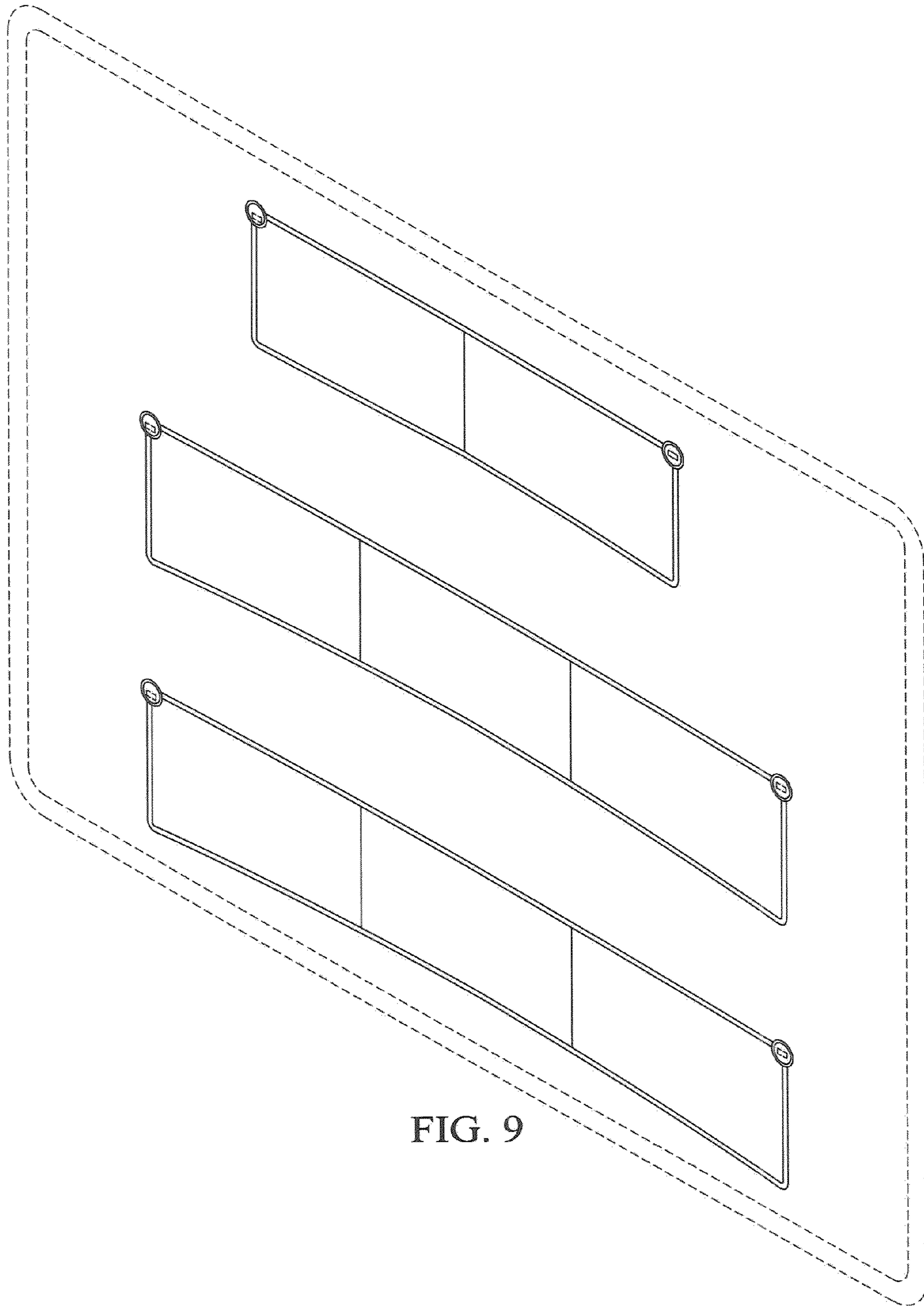


FIG. 9

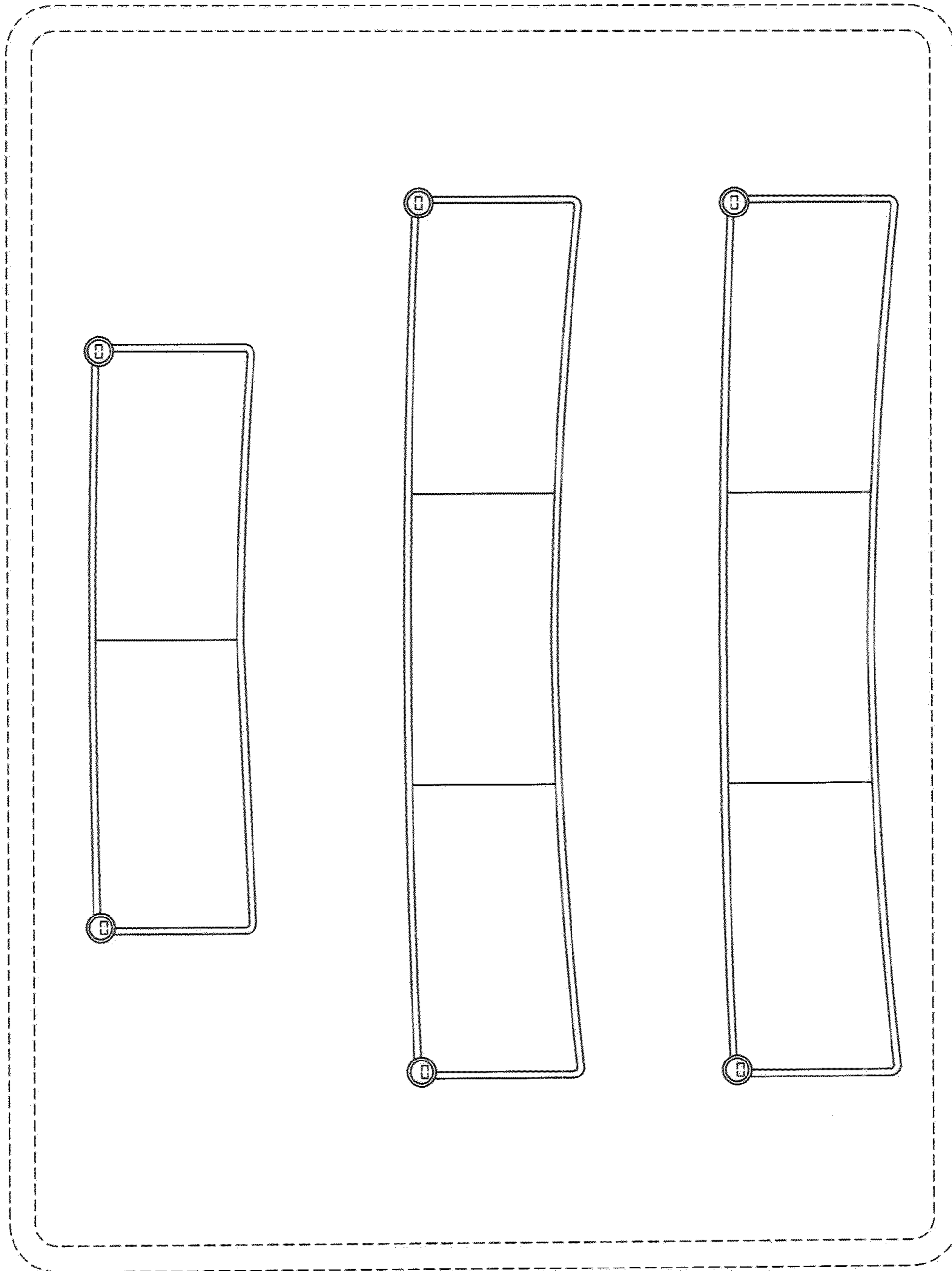


FIG. 10

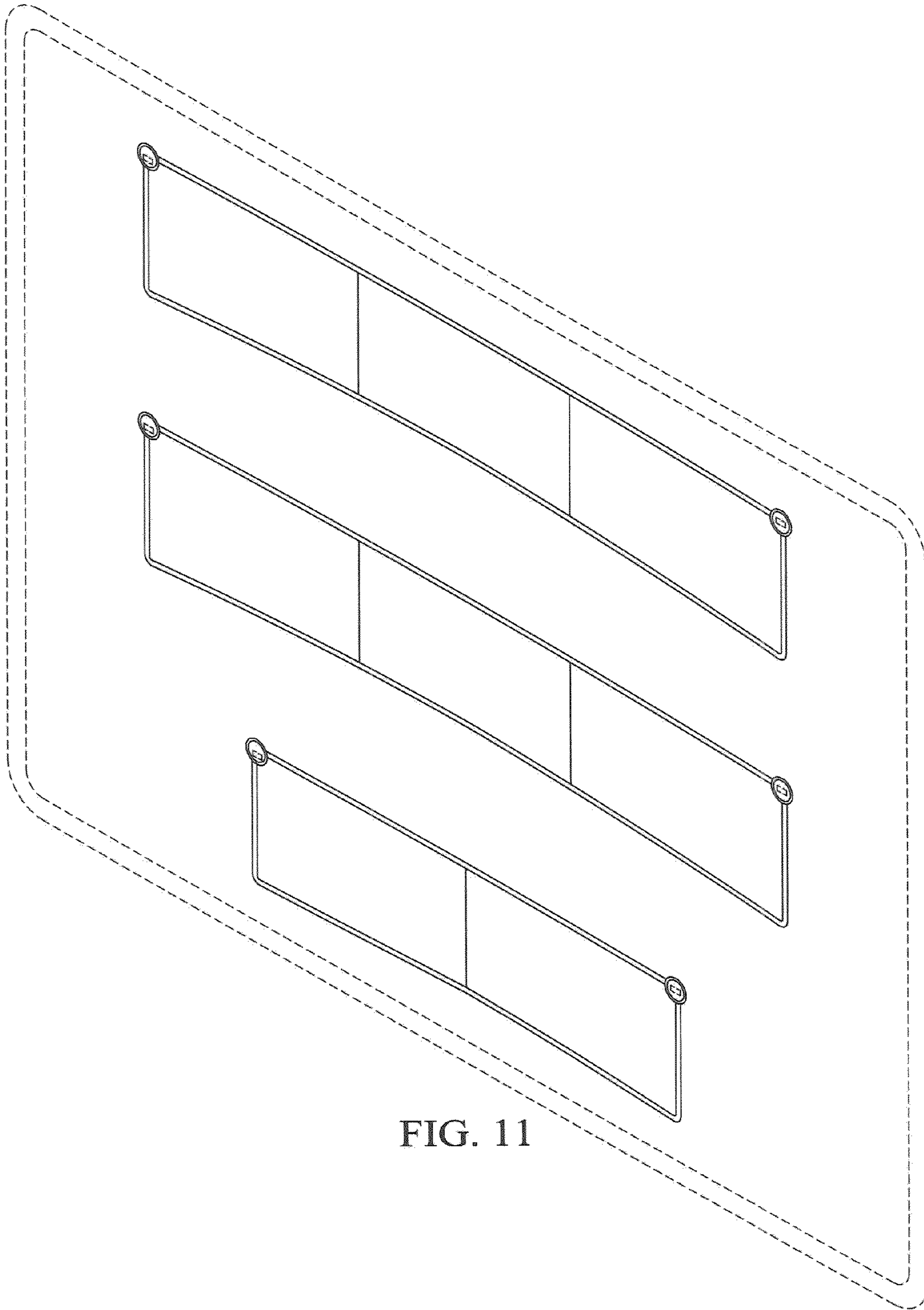


FIG. 11

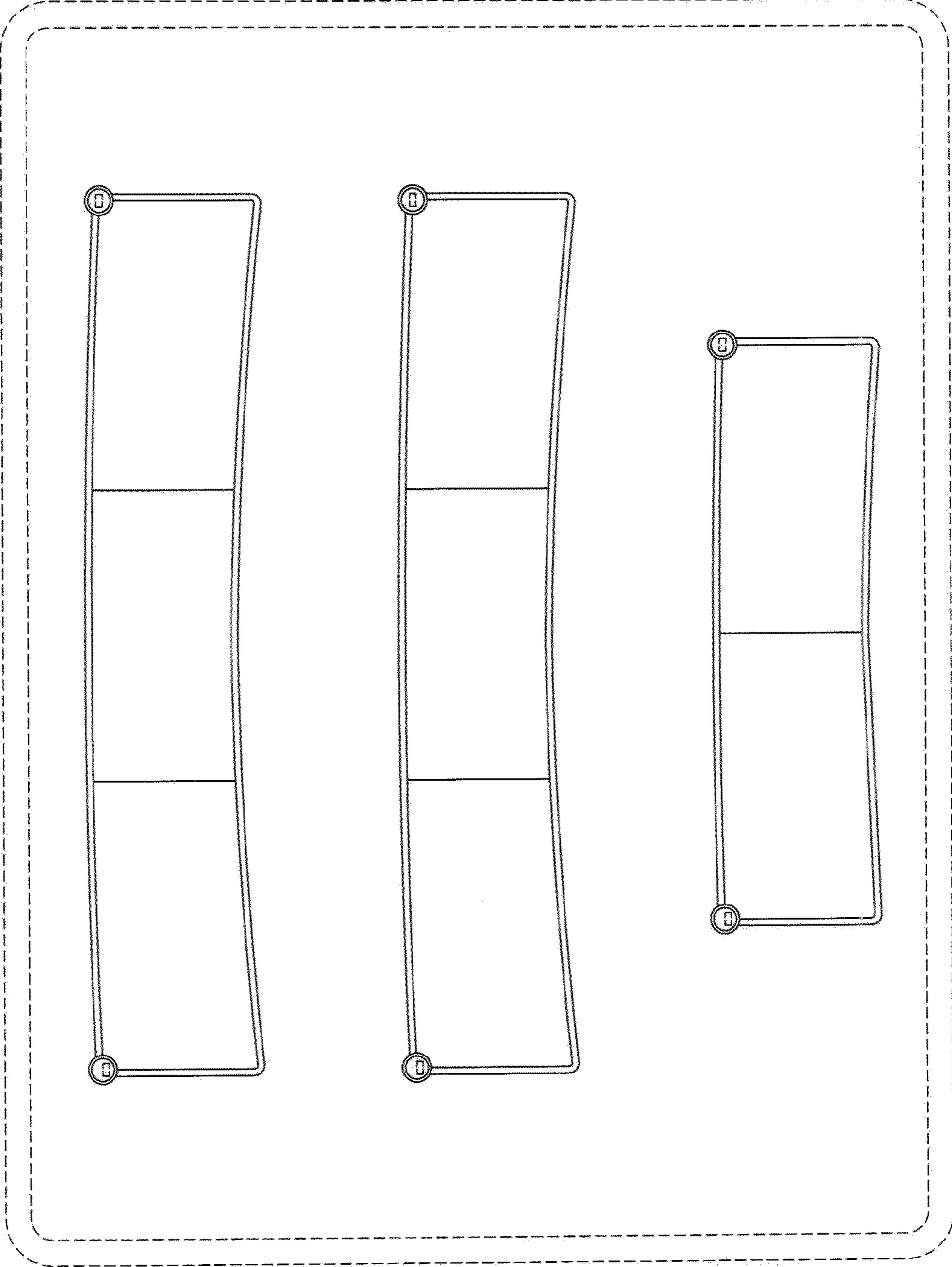


FIG. 12