



US00D684991S

(12) **United States Design Patent**
Wenz et al.

(10) **Patent No.:** **US D684,991 S**
(45) **Date of Patent:** **** Jun. 25, 2013**

(54) **DISPLAY SCREEN WITH A GRAPHICAL INTERFACE**

(75) Inventors: **Oliver C. Wenz**, Petaluma, CA (US);
Michael J. Manning, Campbell, CA (US); **Ji hyun Kim**, Alameda, CA (US)

(73) Assignee: **Cisco Technology, Inc.**, San Jose, CA (US)

(**) Term: **14 Years**

(21) Appl. No.: **29/380,014**

(22) Filed: **Nov. 29, 2010**

(51) **LOC (9) Cl.** **14-04**

(52) **U.S. Cl.**
USPC **D14/488**

(58) **Field of Classification Search**
USPC D14/485–488, 495; D18/31–33; D20/10,
D20/11, 22, 23, 25, 27, 32; 715/751–753,
715/756, 758, 759

See application file for complete search history.

(56) **References Cited**

U.S. PATENT DOCUMENTS

D2,911 S *	2/1868	Gautier	D20/22
D2,945 S *	3/1868	Parker et al.	D20/23
D10,667 S *	5/1878	Ihlenburg	D18/32
3,500,335 A *	3/1970	Cuccio	358/1.1
5,617,539 A *	4/1997	Ludwig et al.	709/205
D388,777 S *	1/1998	Newton et al.	D14/487
D430,120 S *	8/2000	Yasui et al.	D14/488
D437,858 S *	2/2001	Yasui et al.	D14/486
D439,585 S *	3/2001	Law et al.	D14/487
D458,611 S *	6/2002	Gallo	D14/485
D470,153 S *	2/2003	Billmaier et al.	D14/486
D490,439 S *	5/2004	Kates et al.	D14/486

(Continued)

OTHER PUBLICATIONS

U.S. Appl. No. 29/380,005, filed Nov. 29, 2010, entitled “Interface Element,” Inventor(s): Oliver C. Wenz et al.

U.S. Appl. No. 29/380,007, filed Nov. 29, 2010, entitled “Interface Element,” Inventor(s): Oliver C. Wenz et al.

(Continued)

Primary Examiner — Karen E Kearney

(57) **CLAIM**

The ornamental design for a display screen with a graphical interface, as shown and described.

DESCRIPTION

FIG. 1 is a perspective view illustrating a display screen with a graphical interface according to one embodiment;

FIG. 2 is a front view thereof;

FIG. 3 is a perspective view illustrating a display screen with a graphical interface according to a second embodiment;

FIG. 4 is a front view thereof;

FIG. 5 is a perspective view of the second embodiment, shown in a different placement in the environment;

FIG. 6 is a front view thereof;

FIG. 7 is a perspective view illustrating a display screen with a graphical interface according to a third embodiment;

FIG. 8 is a front view thereof;

FIG. 9 is a perspective view illustrating a display screen with a graphical interface according to a fourth embodiment;

FIG. 10 is a front view thereof;

FIG. 11 is a perspective view illustrating a display screen with a graphical interface according to a fifth embodiment;

FIG. 12 is a front view thereof;

FIG. 13 is a perspective view of the fifth embodiment, shown in a different placement in the environment;

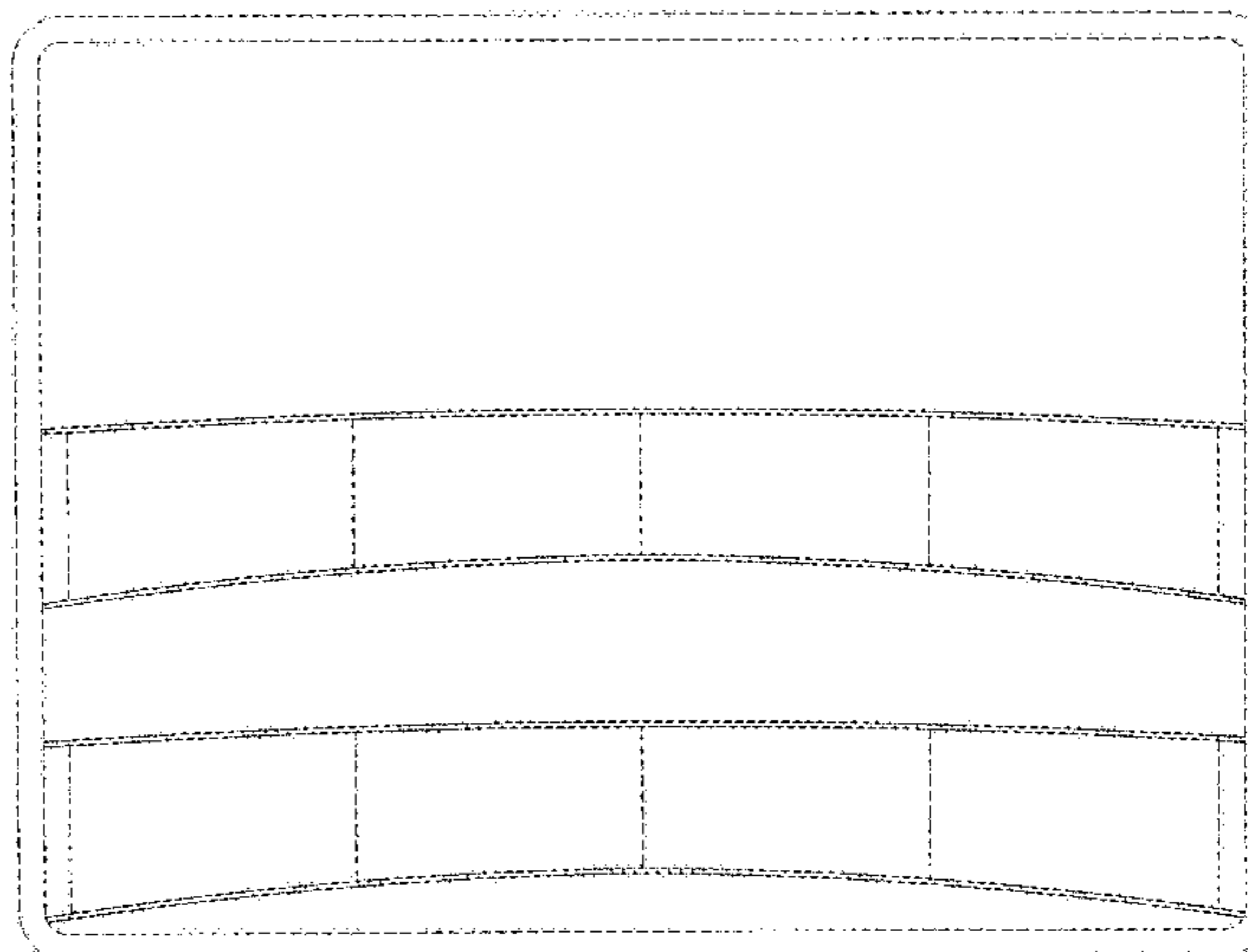
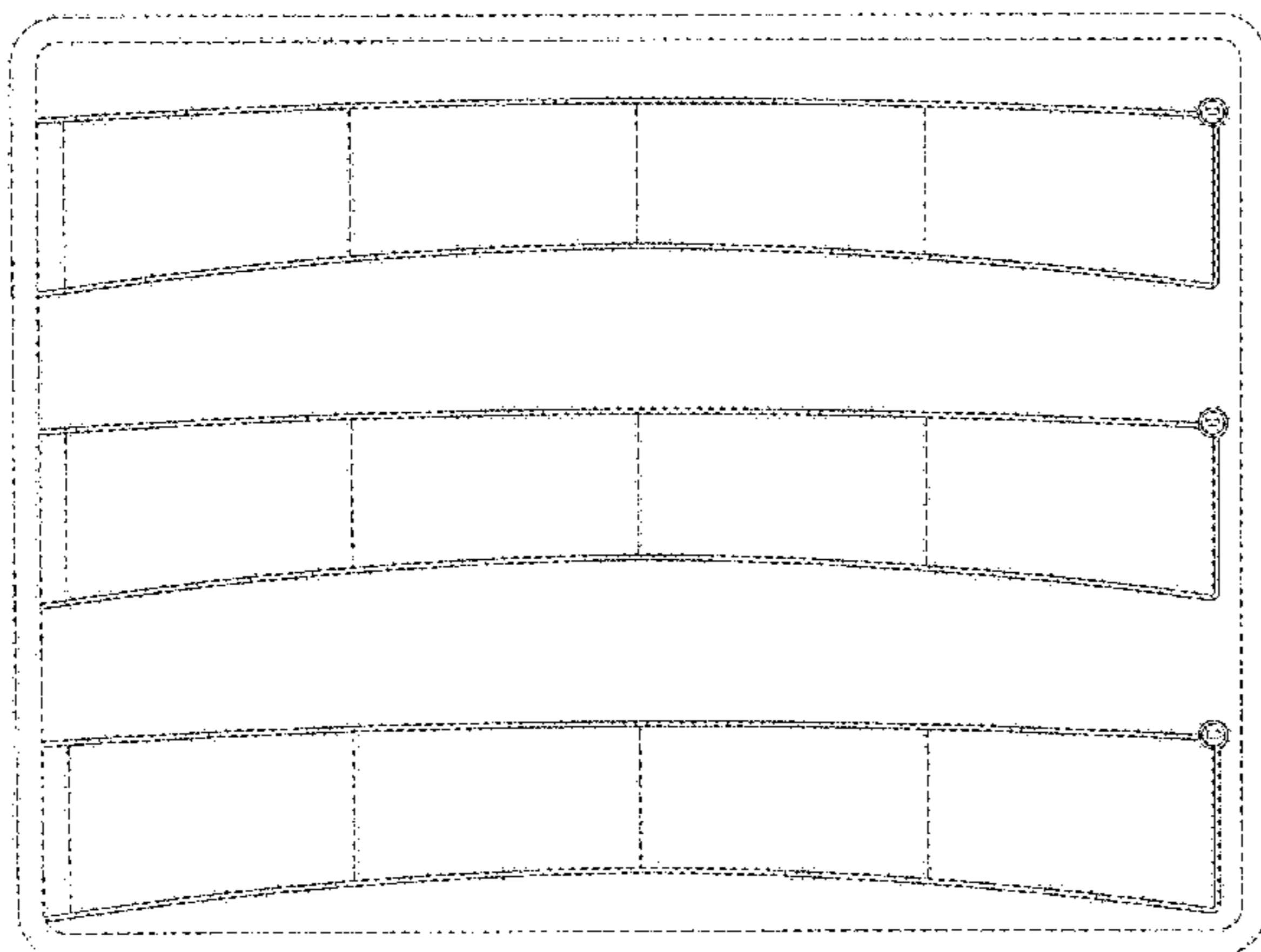
FIG. 14 is a front view thereof;

FIG. 15 is a perspective view illustrating a display screen with a graphical interface according to a sixth embodiment; and,

FIG. 16 is a front view thereof.

The broken line showings of the display screen and vertical lines in all of the figures and of the rectangles in FIGS. 1-8 are included for the purpose of illustrating environmental structure and portions of the display screen with a graphical interface. The broken lines form no part of the claimed design.

1 Claim, 16 Drawing Sheets



U.S. PATENT DOCUMENTS

D492,694	S *	7/2004	Kates et al.	D14/486
D494,603	S *	8/2004	Kates et al.	D14/486
6,819,344	B2 *	11/2004	Robbins	715/848
D500,788	S *	1/2005	Kaplan	D19/8
D506,472	S *	6/2005	Tyner et al.	D14/486
7,124,164	B1 *	10/2006	Chemtob	709/204
D541,291	S *	4/2007	Zhou et al.	D14/486
7,243,299	B1 *	7/2007	Rubin et al.	715/209
D548,743	S *	8/2007	Takahashi et al.	D14/486
D549,713	S *	8/2007	Lewin et al.	D14/485
D552,115	S *	10/2007	Suzuki	D14/485
D561,197	S *	2/2008	Okaro et al.	D14/495
D562,838	S *	2/2008	Salunkhe	D14/487
D563,968	S *	3/2008	Lewin et al.	D14/485
7,343,561	B1 *	3/2008	Stochosky et al.	715/758
D566,775	S *	4/2008	Delmotte et al.	D20/27
7,360,172	B2 *	4/2008	Grossman et al.	715/839
D568,329	S *	5/2008	Park et al.	D14/486
7,464,137	B2 *	12/2008	Zhu et al.	709/204
D586,359	S *	2/2009	Makoski et al.	D14/486
7,496,499	B2 *	2/2009	Asada	704/8
D593,571	S *	6/2009	Ball et al.	D14/485
D594,467	S *	6/2009	Kase	D14/488
D600,249	S *	9/2009	Nagata et al.	D14/486
D601,582	S *	10/2009	Chaudhri et al.	D14/495
D603,420	S *	11/2009	Channell	D14/487
D604,742	S *	11/2009	Nagata et al.	D14/486
D605,199	S *	12/2009	Nagata et al.	D14/486
D609,714	S *	2/2010	Oda et al.	D14/485
7,689,650	B1 *	3/2010	Sanghavi et al.	709/204
D624,930	S *	10/2010	Agnetta et al.	D14/487
D630,224	S *	1/2011	Allen	D14/485
D631,886	S *	2/2011	Vance et al.	D14/486
D637,605	S *	5/2011	Brinda	D14/488
D638,432	S *	5/2011	Flik et al.	D14/486
D642,586	S *	8/2011	Jones et al.	D14/485
D648,741	S *	11/2011	Lemay	D14/493
D652,840	S *	1/2012	Morsa	D14/487
D653,259	S *	1/2012	Vance et al.	D14/486
D669,091	S *	10/2012	Cranfill	D14/486
D670,726	S *	11/2012	Bitran et al.	D14/487
2001/0028369	A1 *	10/2001	Gallo et al.	345/848
2002/0097277	A1 *	7/2002	Pitroda	345/854
2003/0061285	A1 *	3/2003	Usui et al.	709/205

2003/0090474	A1 *	5/2003	Schaefer	345/173
2003/0231208	A1 *	12/2003	Hanon et al.	345/764
2004/0064510	A1 *	4/2004	Ooi et al.	709/205
2005/0166154	A1 *	7/2005	Wilson et al.	715/751
2005/0262542	A1 *	11/2005	DeWeese et al.	725/106
2007/0192728	A1 *	8/2007	Finley et al.	715/782
2007/0300164	A1 *	12/2007	Bhogal et al.	715/753
2008/0215992	A1 *	9/2008	Or	715/753
2008/0244419	A1 *	10/2008	Kurpick et al.	715/756
2009/0157709	A1 *	6/2009	Kruger et al.	707/100
2009/0177975	A1 *	7/2009	Elgar et al.	715/751
2009/0235184	A1 *	9/2009	Perlson et al.	715/758
2010/0073454	A1 *	3/2010	Lovhaugen et al.	348/14.03
2010/0122183	A1 *	5/2010	Babaian et al.	715/752
2011/0035687	A1 *	2/2011	Katis et al.	715/758
2011/0320044	A1 *	12/2011	Smith et al.	700/276
2012/0317501	A1 *	12/2012	Milou	715/753

OTHER PUBLICATIONS

- U.S. Appl. No. 29/380,008, filed Nov. 29, 2010, entitled "Interface Element," Inventor(s): Oliver C. Wenz et al.
- U.S. Appl. No. 29/380,011, filed Nov. 29, 2010, entitled "Interface Element," Inventor(s): Oliver C. Wenz et al.
- U.S. Appl. No. 29/380,012, filed Nov. 29, 2010, entitled "Interface Element," Inventor(s): Oliver C. Wenz et al.
- U.S. Appl. No. 29/380,017, filed Nov. 29, 2010, entitled "Interface Element," Inventor(s): Oliver C. Wenz et al.
- U.S. Appl. No. 29/380,018, filed Nov. 29, 2010, entitled "Interface Element," Inventor(s): Oliver C. Wenz et al.
- U.S. Appl. No. 29/380,019, filed Nov. 29, 2010, entitled "Interface Element," Inventor(s): Oliver C. Wenz et al.
- U.S. Appl. No. 29/380,021, filed Nov. 29, 2010, entitled "Interface Element," Inventor(s): Oliver C. Wenz et al.
- U.S. Appl. No. 29/380,022, filed Nov. 29, 2010, entitled "Interface Element," Inventor(s): Oliver C. Wenz et al.
- U.S. Appl. No. 29/380,023, filed Nov. 29, 2010, entitled "Interface Element," Inventor(s): Oliver C. Wenz et al.
- Vizard, Mike, "Intel CEO Demos Video Conferencing on a Smartphone," CTO Edge, Jan. 8, 2010; 2 pages; <http://www.ctoedge.com/content/intel-ceo-demos-video-conferencing-smartphone>.

* cited by examiner

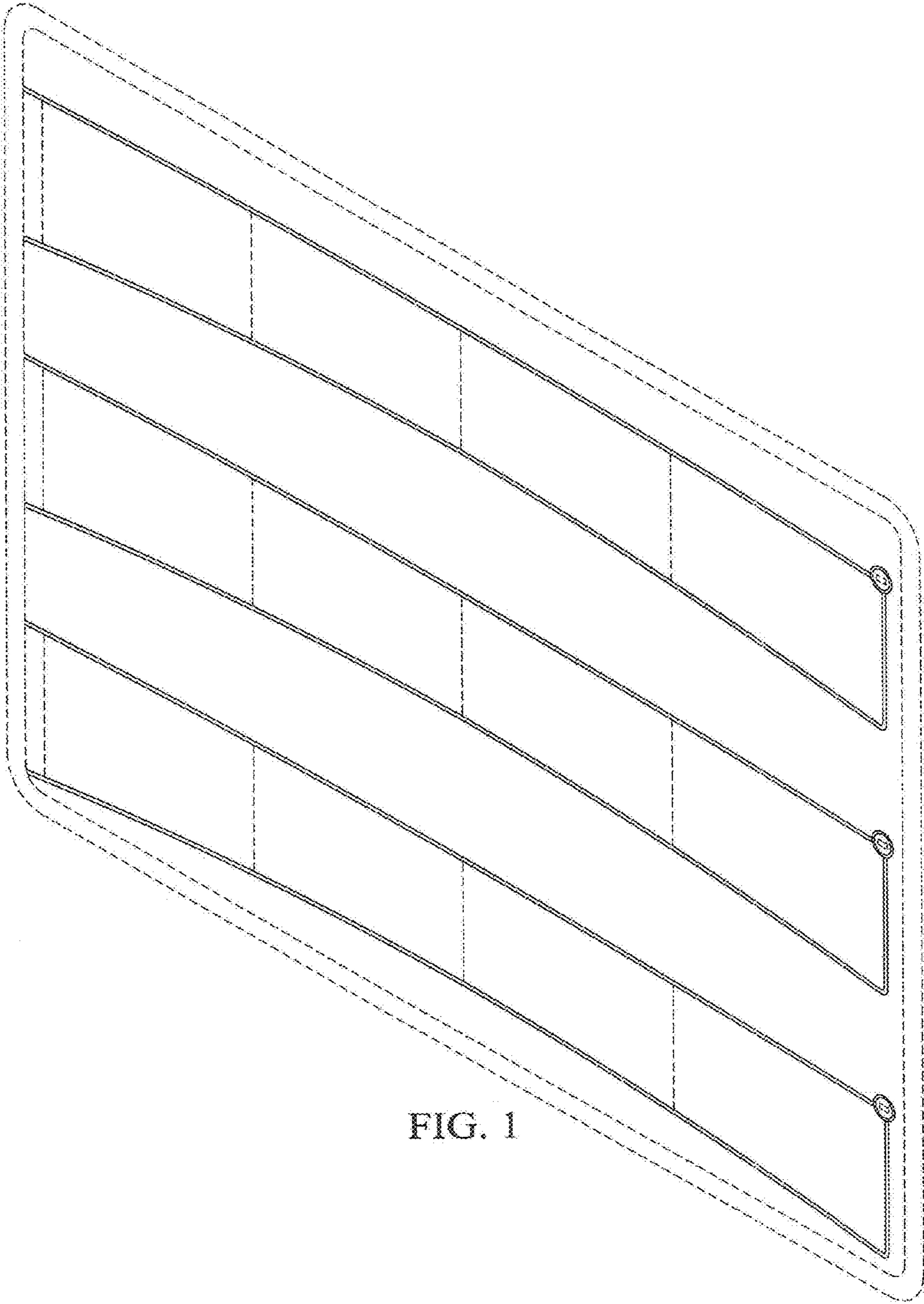


FIG. 1

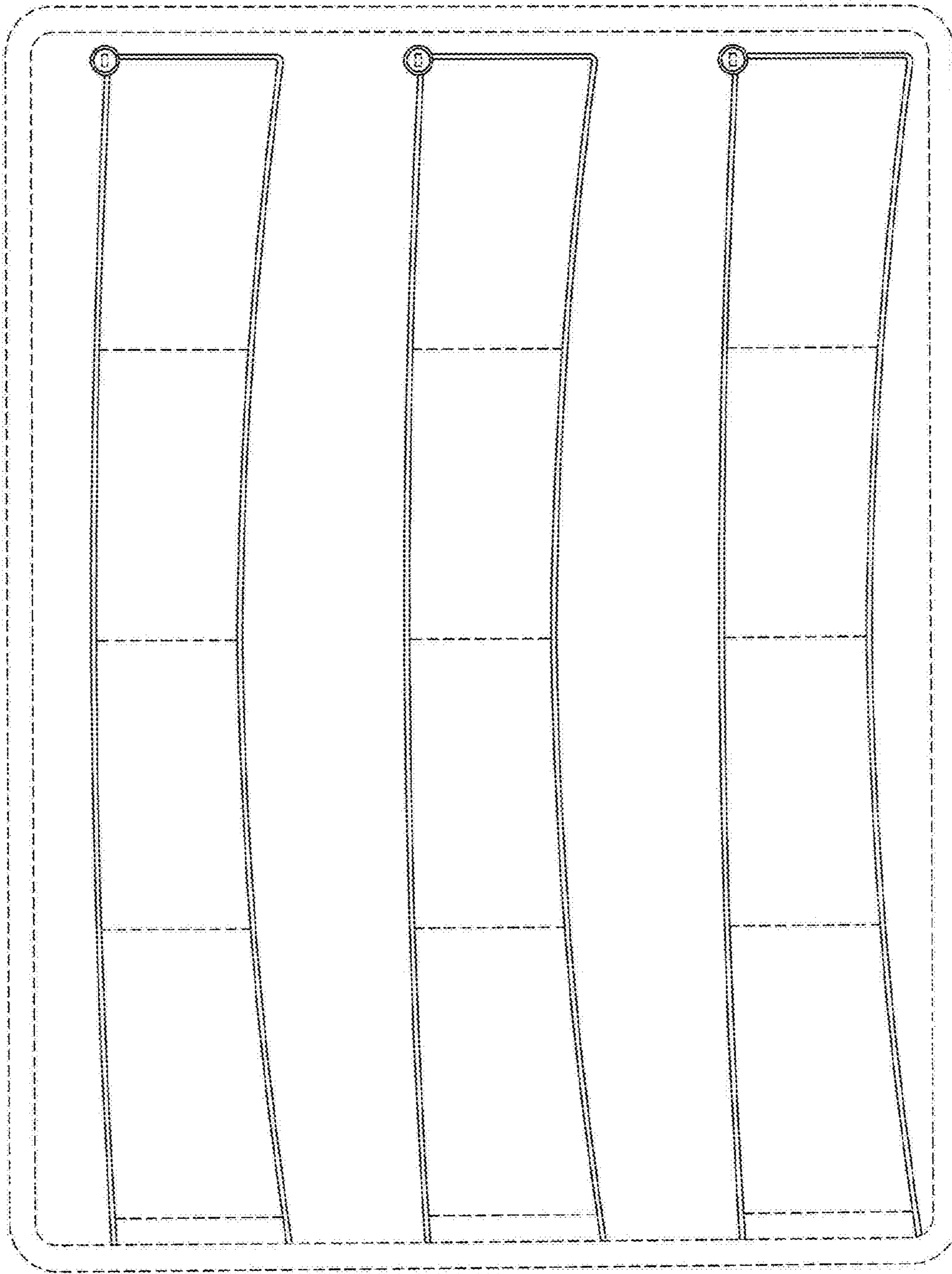


FIG. 2

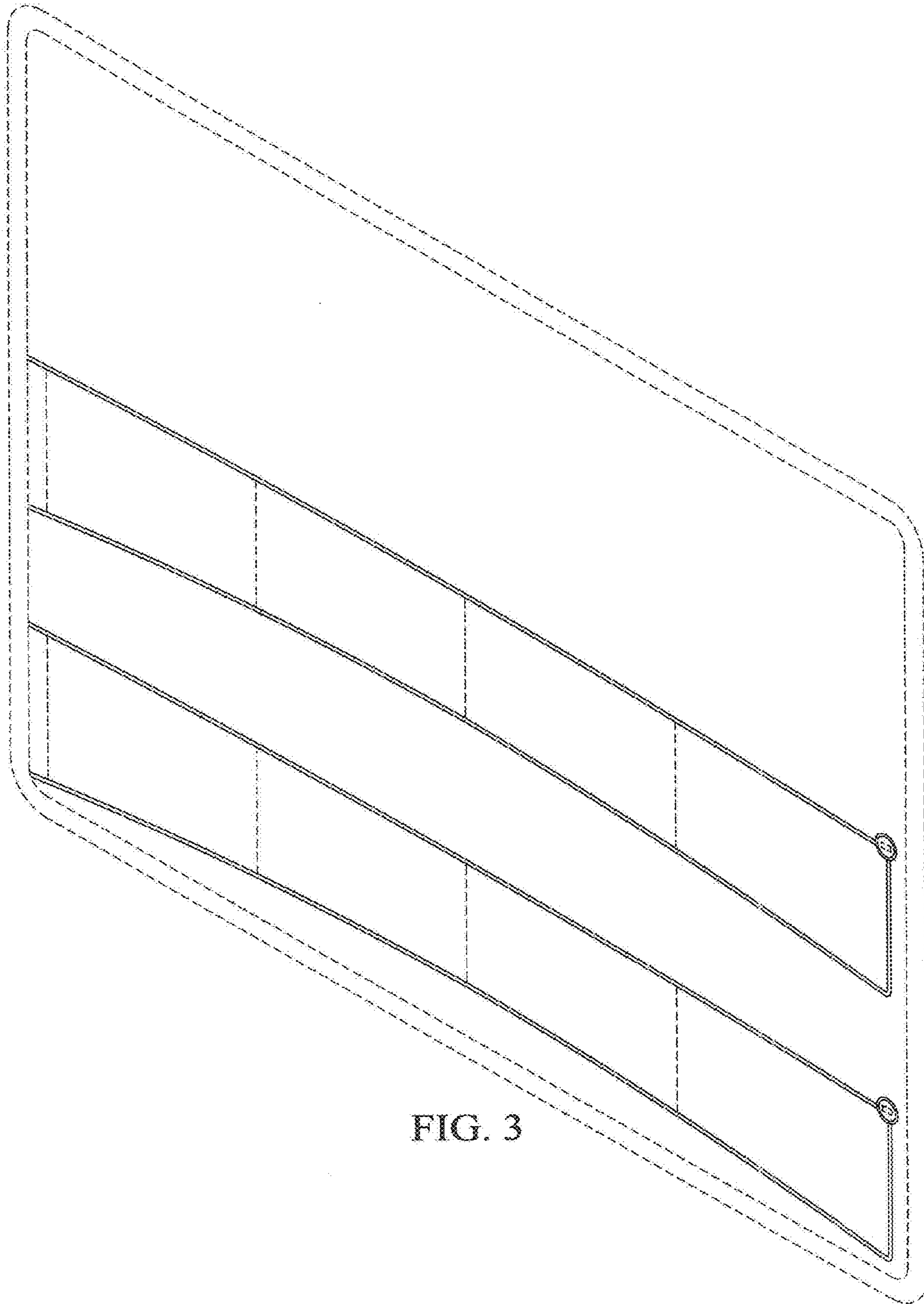


FIG. 3

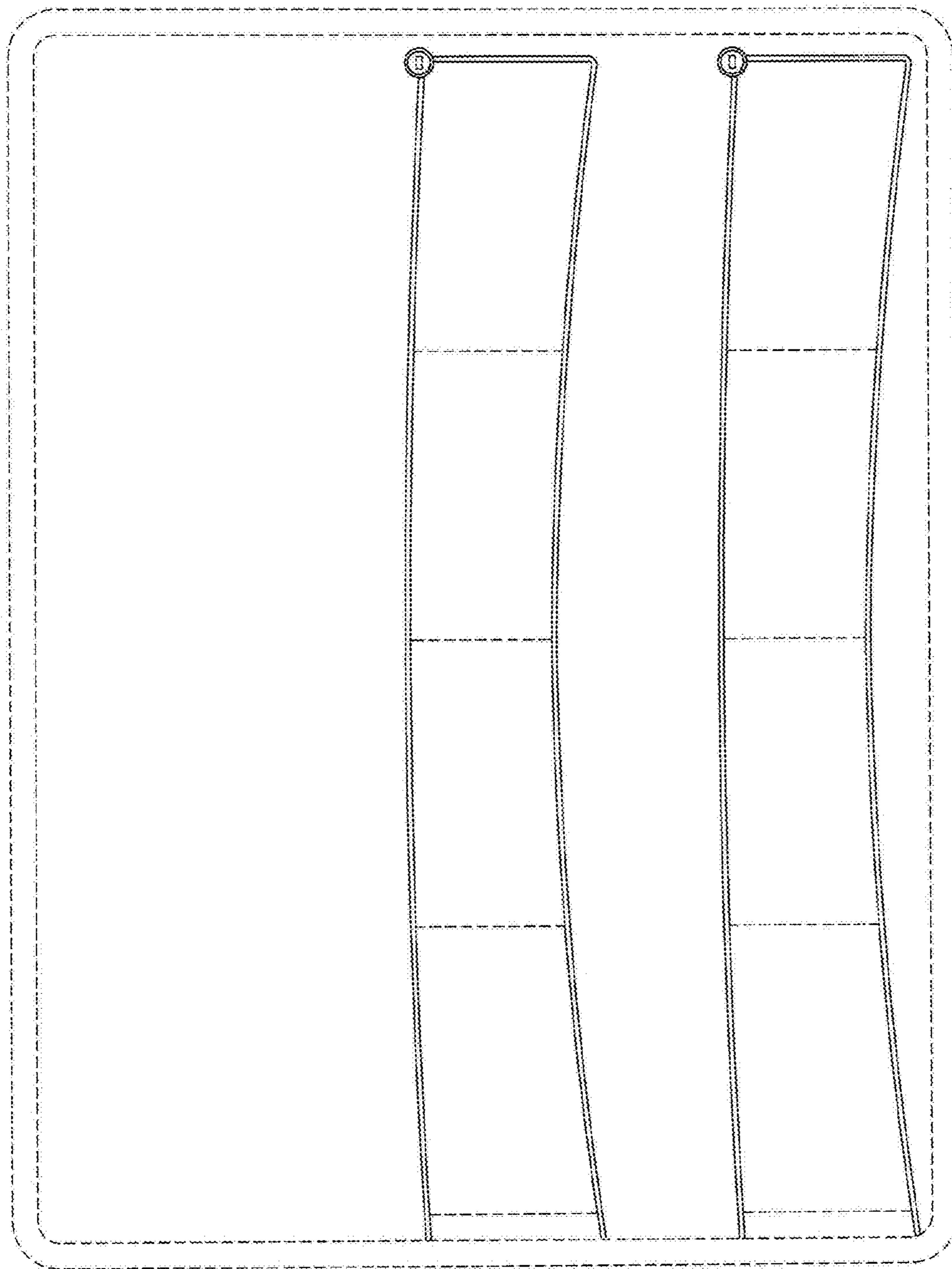


FIG. 4

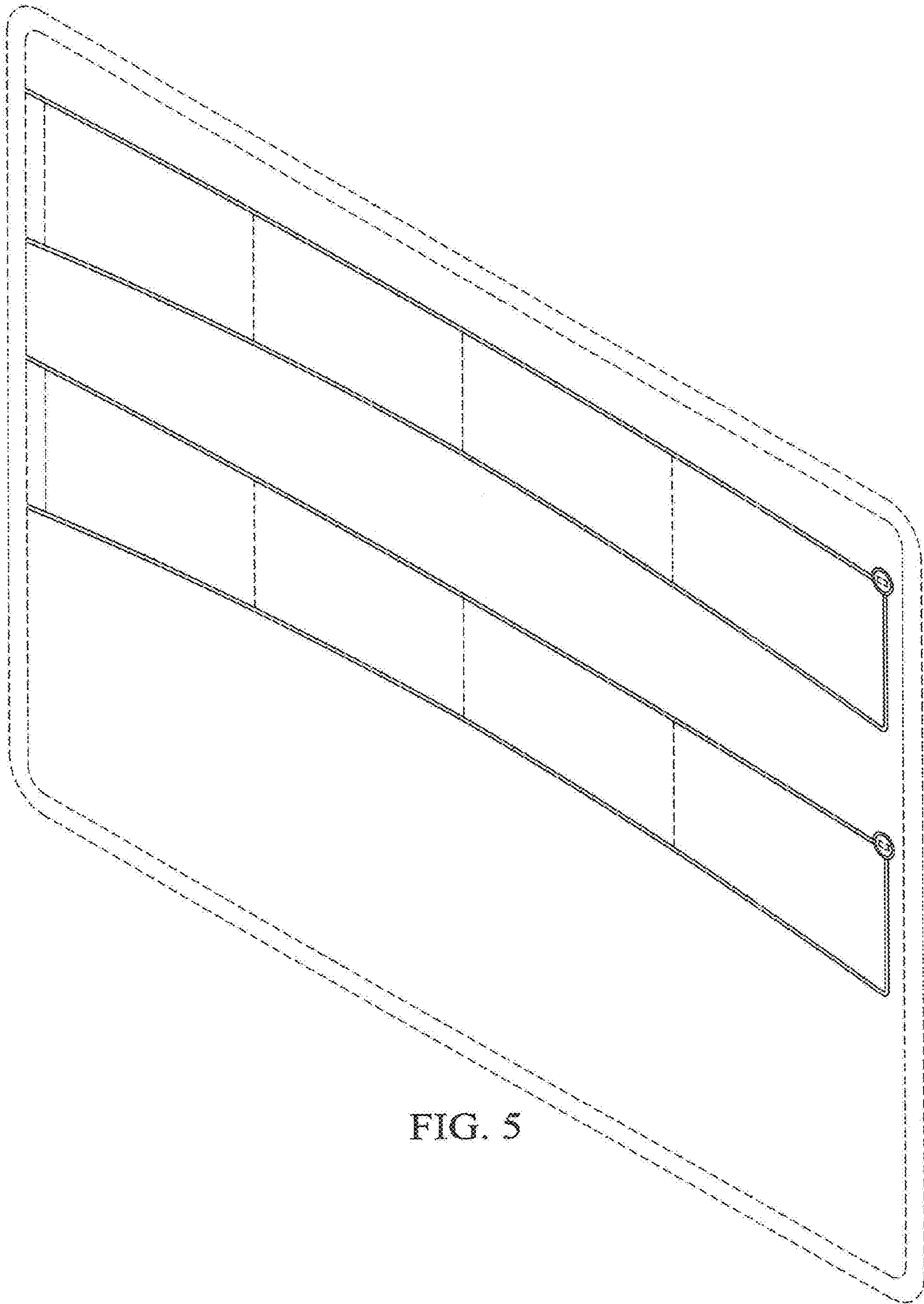


FIG. 5

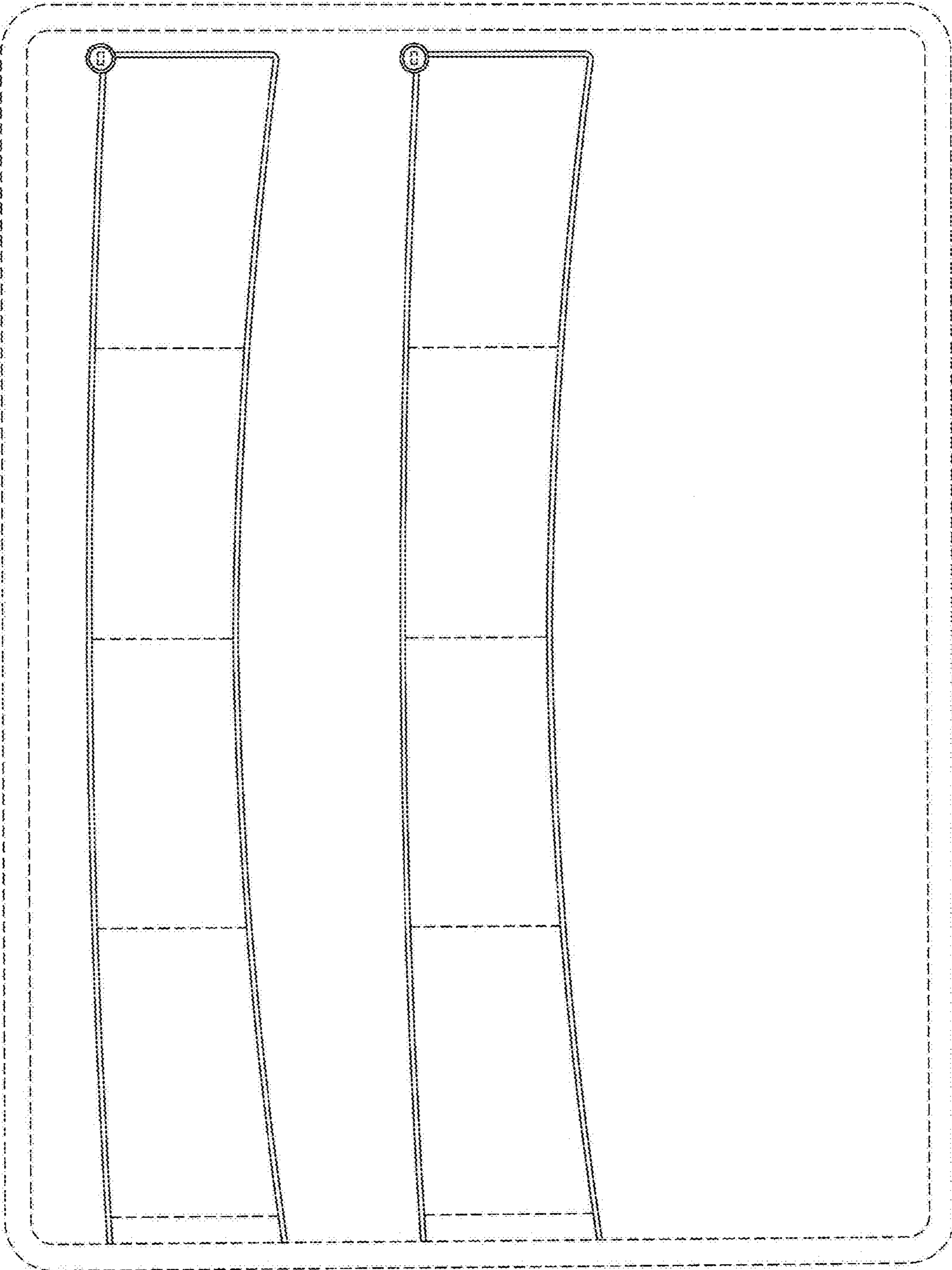


FIG. 6

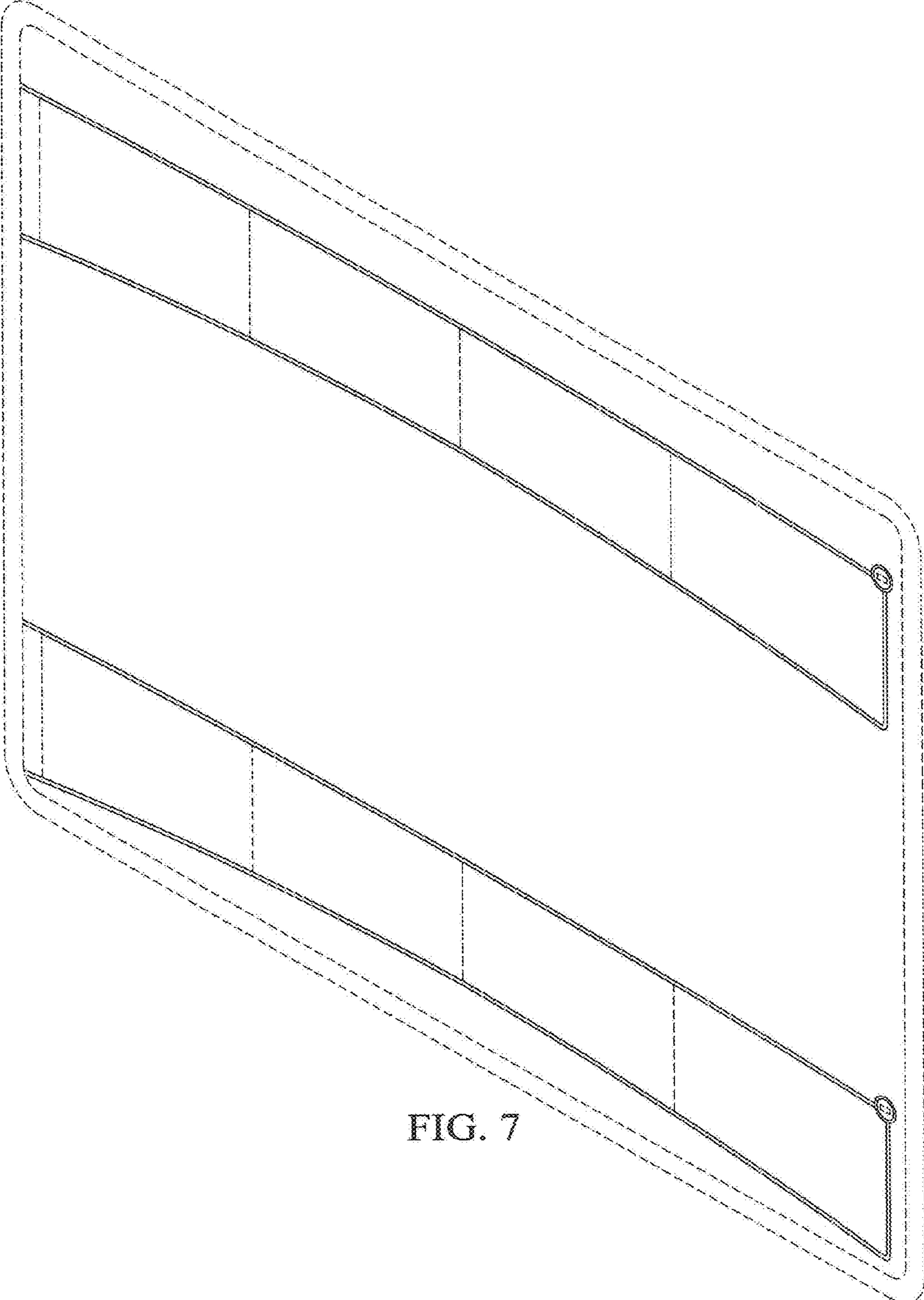


FIG. 7

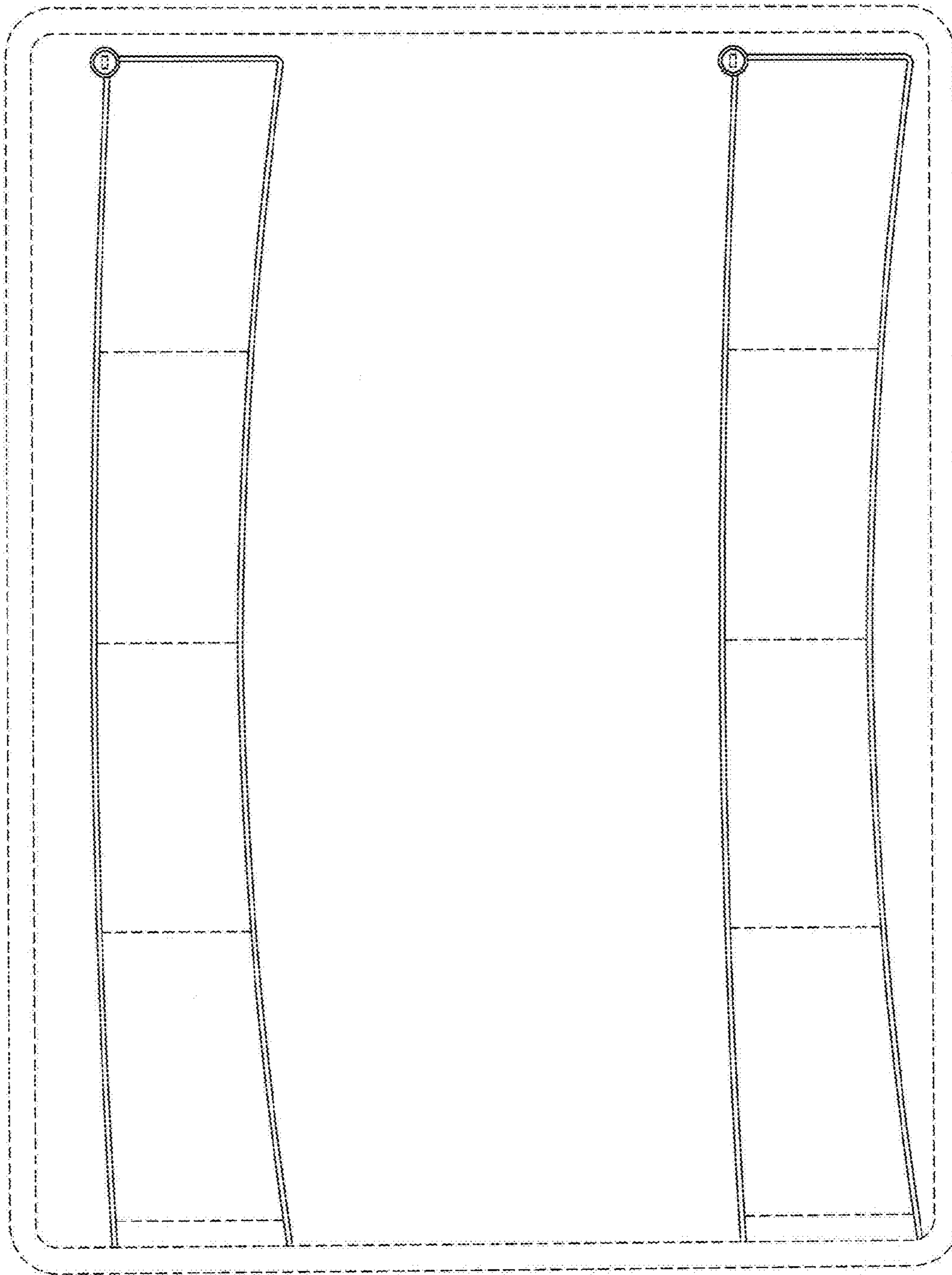


FIG. 8

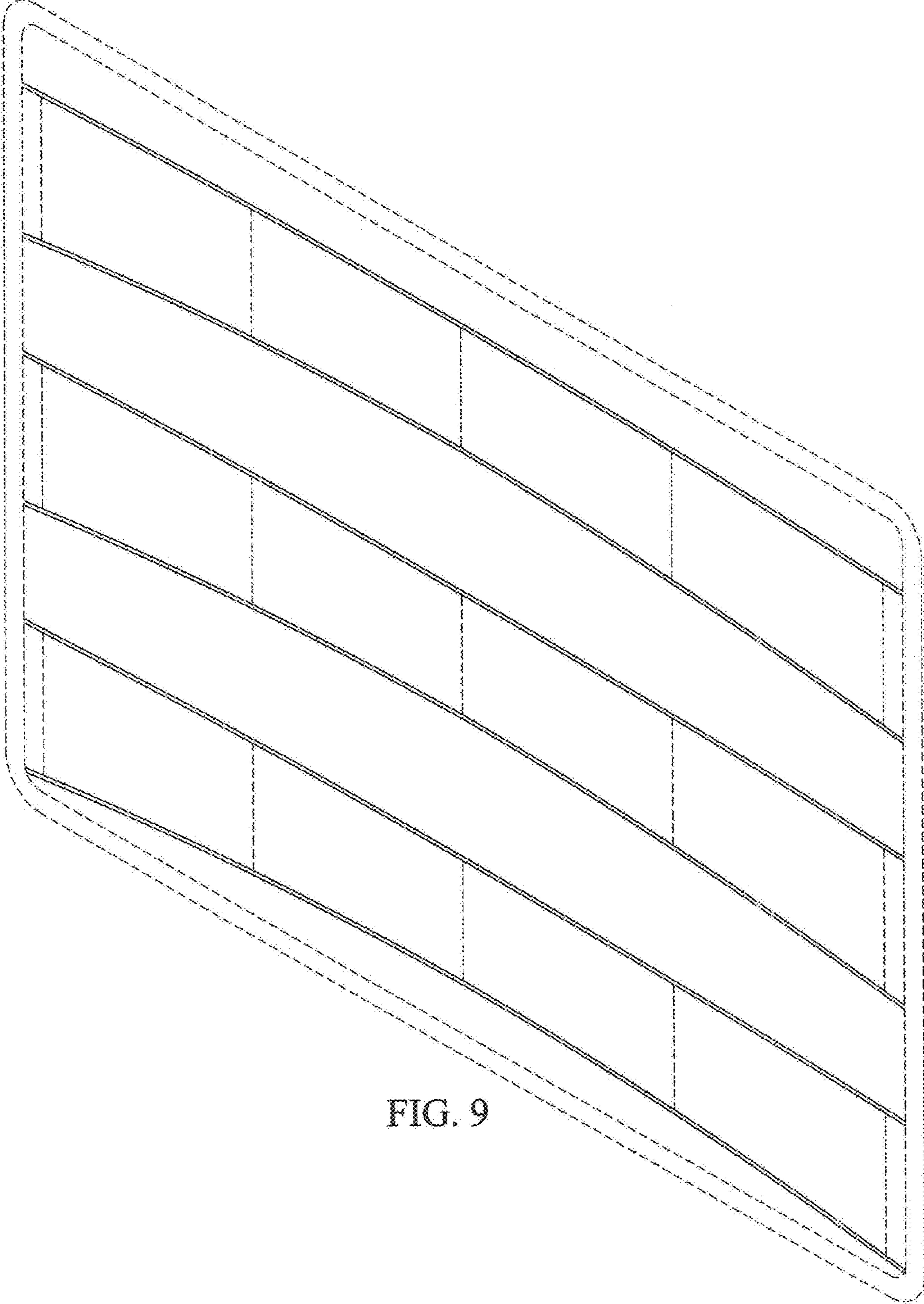


FIG. 9

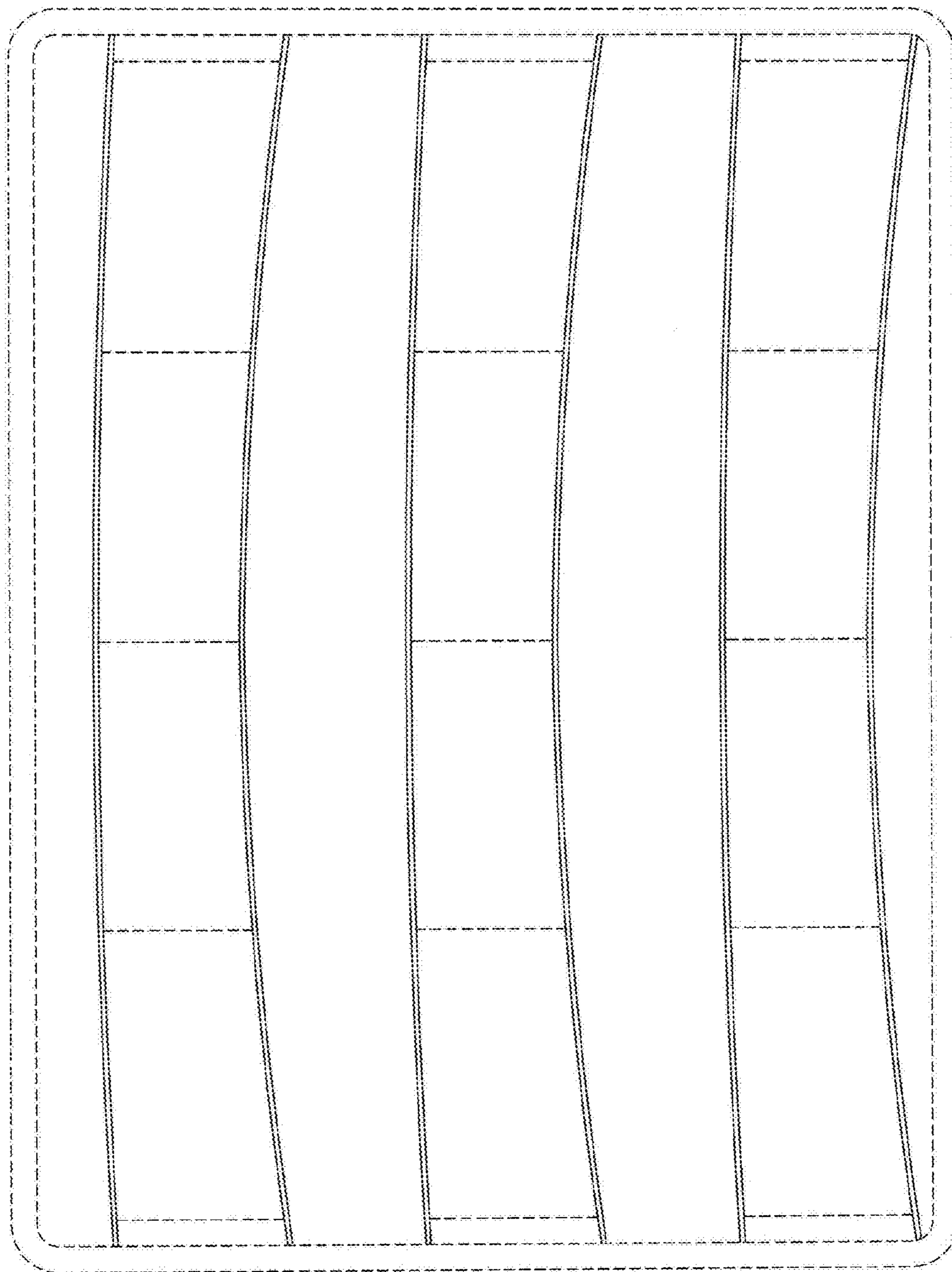


FIG. 10

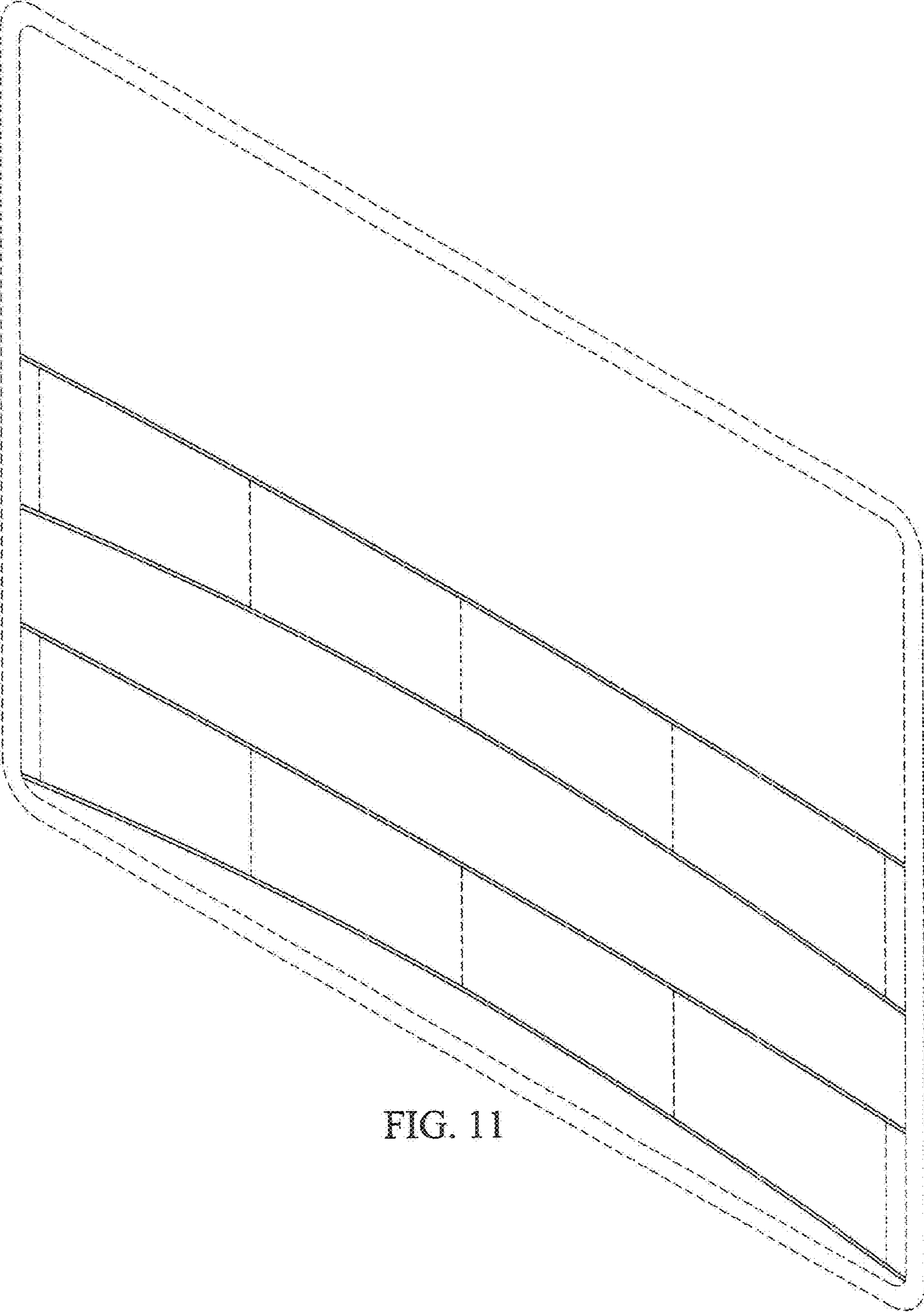


FIG. 11

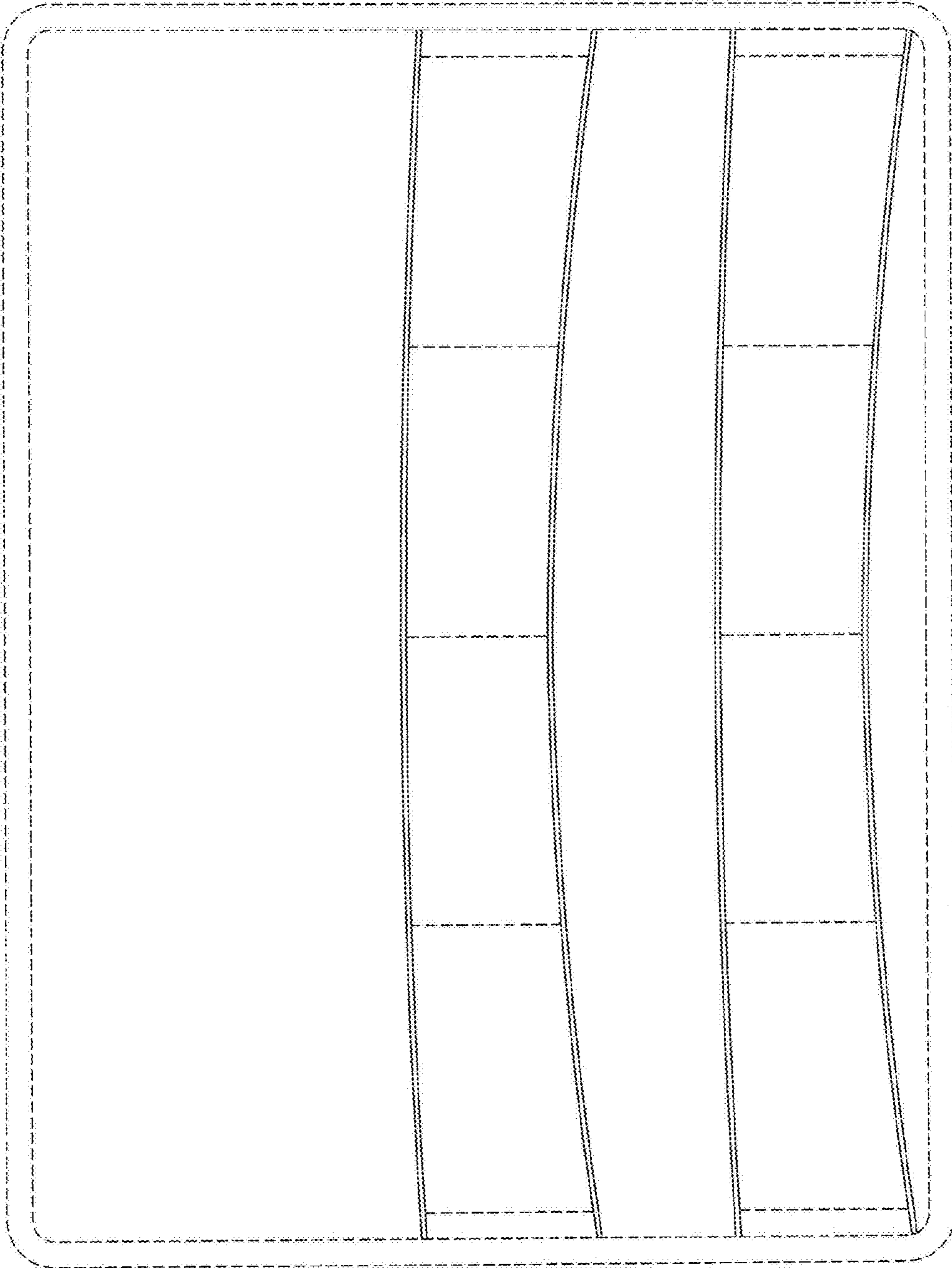


FIG. 12

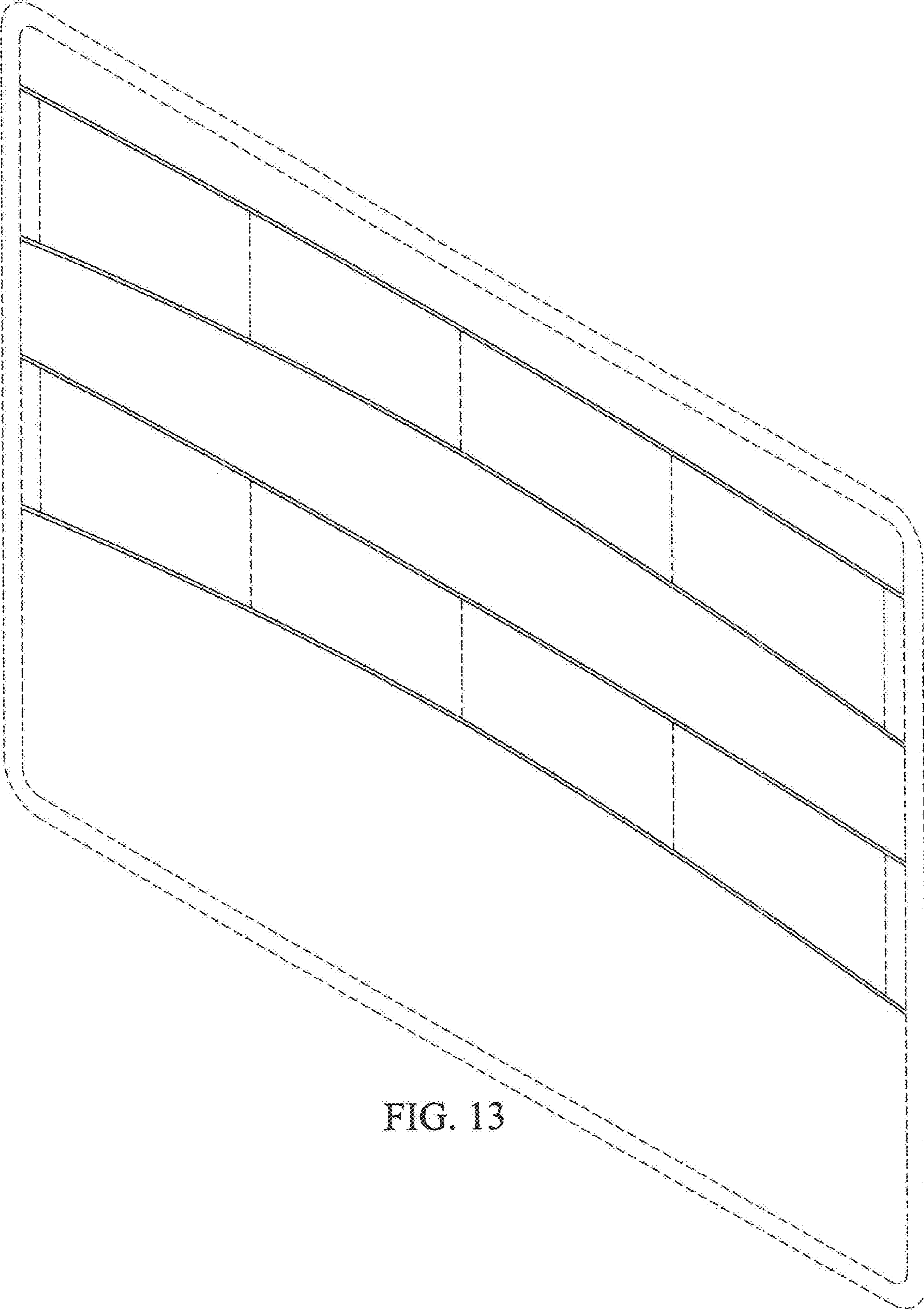


FIG. 13

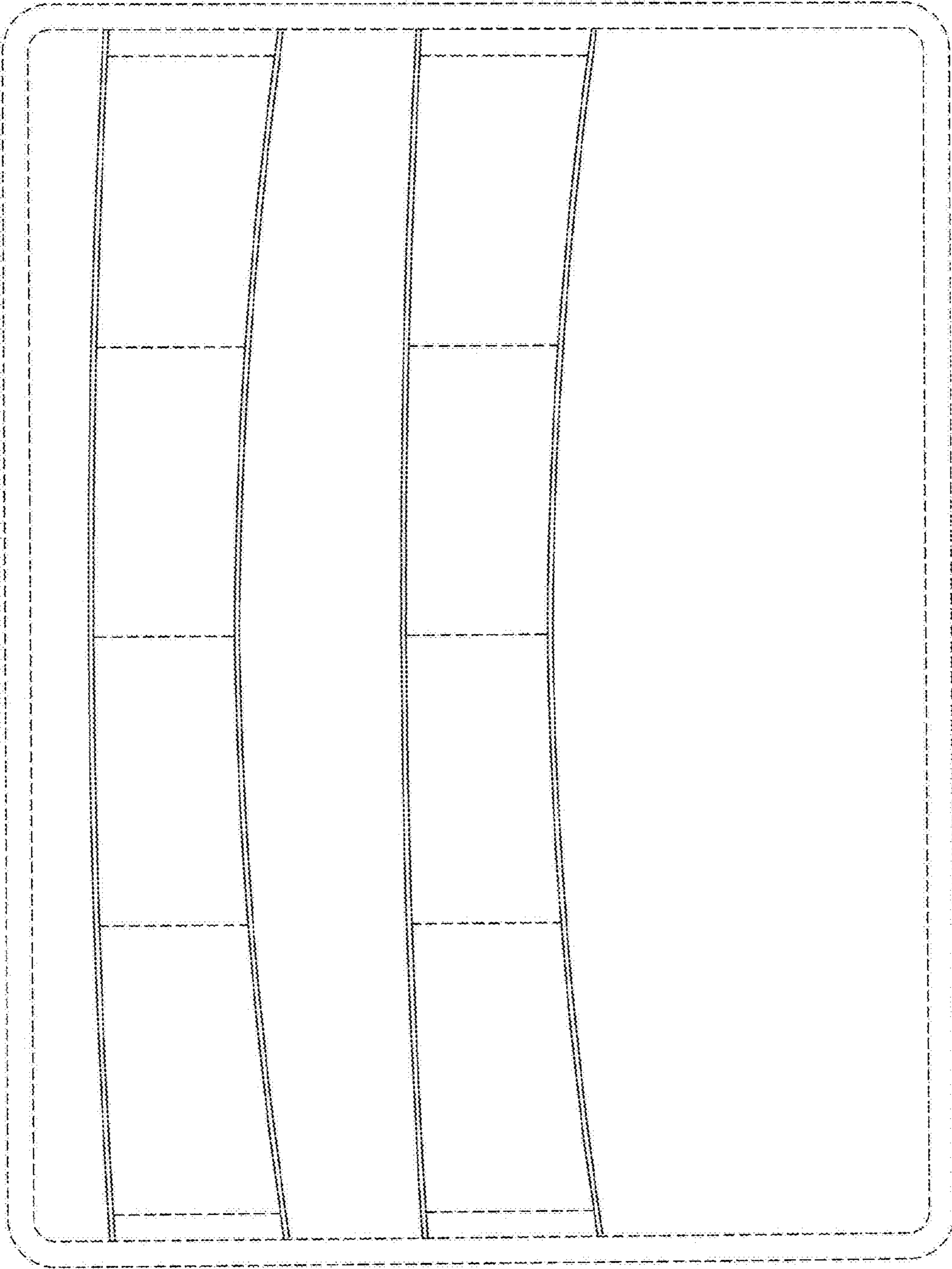


FIG. 14

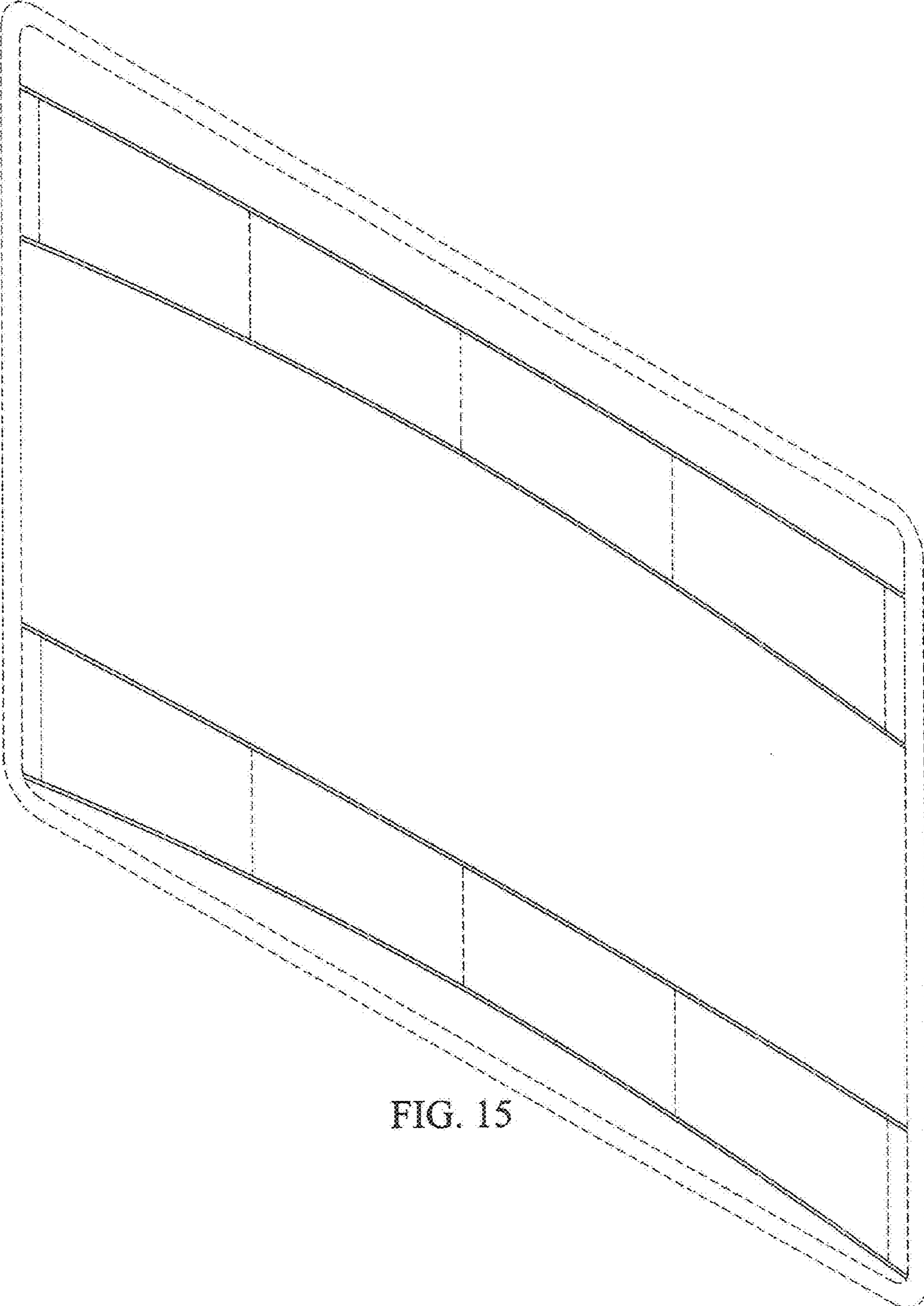


FIG. 15

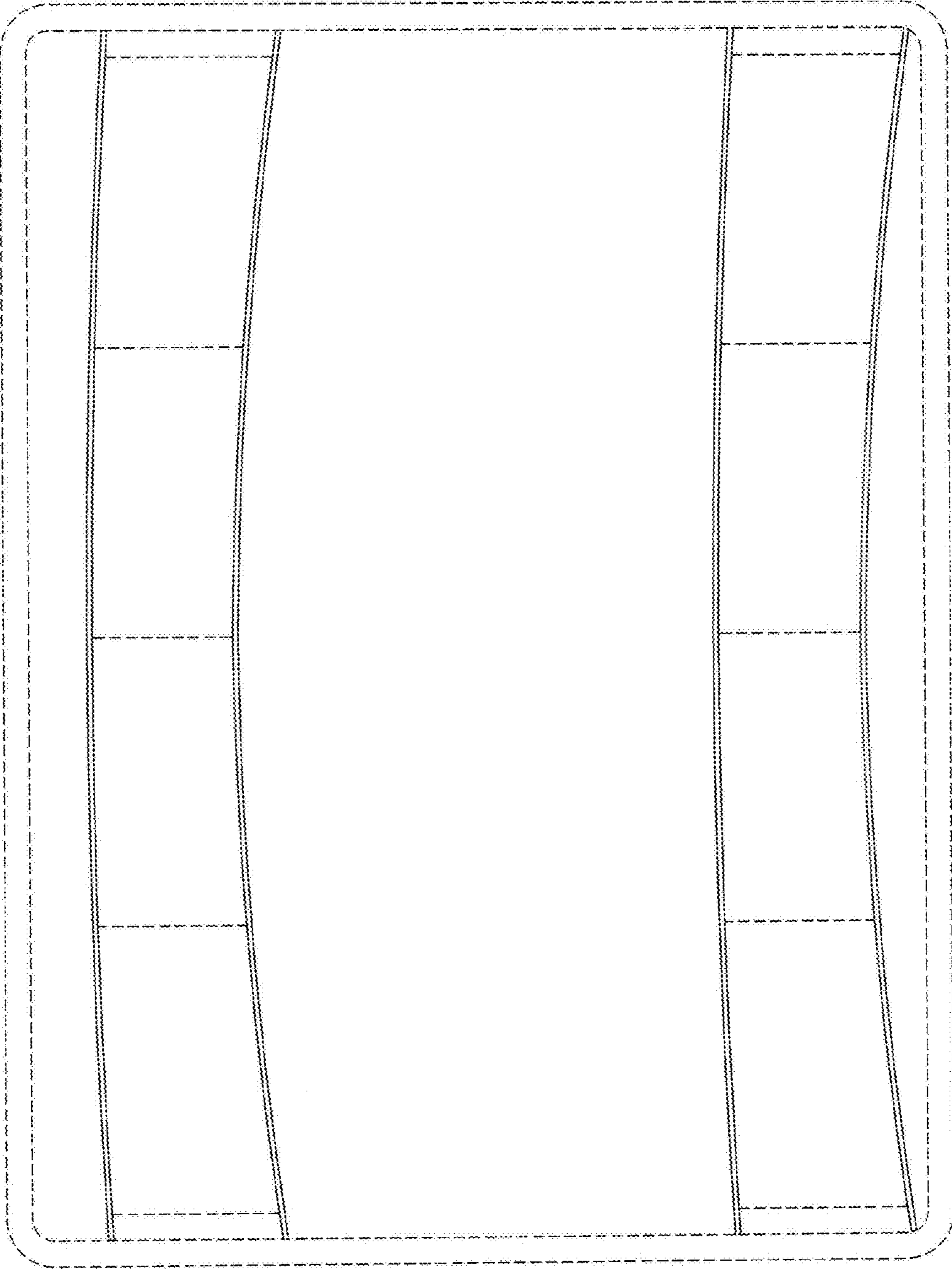


FIG. 16