



US00D684985S

(12) **United States Design Patent**
Wenz et al.

(10) **Patent No.:** **US D684,985 S**
(45) **Date of Patent:** **** Jun. 25, 2013**

- (54) **DISPLAY SCREEN WITH A GRAPHICAL INTERFACE**
- (75) Inventors: **Oliver C. Wenz**, Petaluma, CA (US);
Michael J. Manning, Campbell, CA (US); **Ji hyun Kim**, Alameda, CA (US)
- (73) Assignee: **Cisco Technology, Inc.**, San Jose, CA (US)
- (**) Term: **14 Years**
- (21) Appl. No.: **29/380,005**
- (22) Filed: **Nov. 29, 2010**
- (51) **LOC (9) Cl.** **14-04**
- (52) **U.S. Cl.**
USPC **D14/485**
- (58) **Field of Classification Search**
USPC D14/485-488, 495; D18/31-33; D20/10,
D20/11, 22, 23, 25, 27, 32; 715/751-753,
715/756, 758, 759
See application file for complete search history.

(56) **References Cited**

U.S. PATENT DOCUMENTS

D2,911 S *	2/1868	Gautier	D20/22
D2,945 S *	3/1868	Parker et al.	D20/23
D10,667 S *	5/1878	Ihlenburg	D18/32
3,500,335 A *	3/1970	Cuccio	358/1.1
5,617,539 A *	4/1997	Ludwig et al.	709/205
D388,777 S *	1/1998	Newton et al.	D14/487
D437,858 S *	2/2001	Yasui et al.	D14/486
D439,585 S *	3/2001	Law et al.	D14/487
D458,611 S *	6/2002	Gallo	D14/485
D470,153 S *	2/2003	Billmaier et al.	D14/486
6,819,344 B2 *	11/2004	Robbins	715/848
D500,788 S *	1/2005	Kaplan	D19/8
D506,472 S *	6/2005	Tyner et al.	D14/486
7,124,164 B1 *	10/2006	Chemtob	709/204
7,243,299 B1 *	7/2007	Rubin et al.	715/209
D548,743 S *	8/2007	Takahashi et al.	D14/486

D549,713 S *	8/2007	Lewin et al.	D14/485
D561,197 S *	2/2008	Okaro et al.	D14/495
D563,968 S *	3/2008	Lewin et al.	D14/485
7,343,561 B1 *	3/2008	Stochosky et al.	715/758
D566,775 S *	4/2008	Delmotte et al.	D20/27
7,360,172 B2 *	4/2008	Grossman et al.	715/839
D568,329 S *	5/2008	Park et al.	D14/486
7,464,137 B2 *	12/2008	Zhu et al.	709/204
D586,359 S *	2/2009	Makoski et al.	D14/486
D593,571 S *	6/2009	Ball et al.	D14/485
D600,249 S *	9/2009	Nagata et al.	D14/486
D601,582 S *	10/2009	Chaudhri et al.	D14/495
D603,420 S *	11/2009	Channell	D14/487
D604,742 S *	11/2009	Nagata et al.	D14/486

(Continued)

OTHER PUBLICATIONS

Design U.S. Appl. No. 29/380,007, filed Nov. 29, 2010, entitled "Interface Element," Inventor(s): Oliver C. Wenz et al.

(Continued)

Primary Examiner — Karen E Kearney

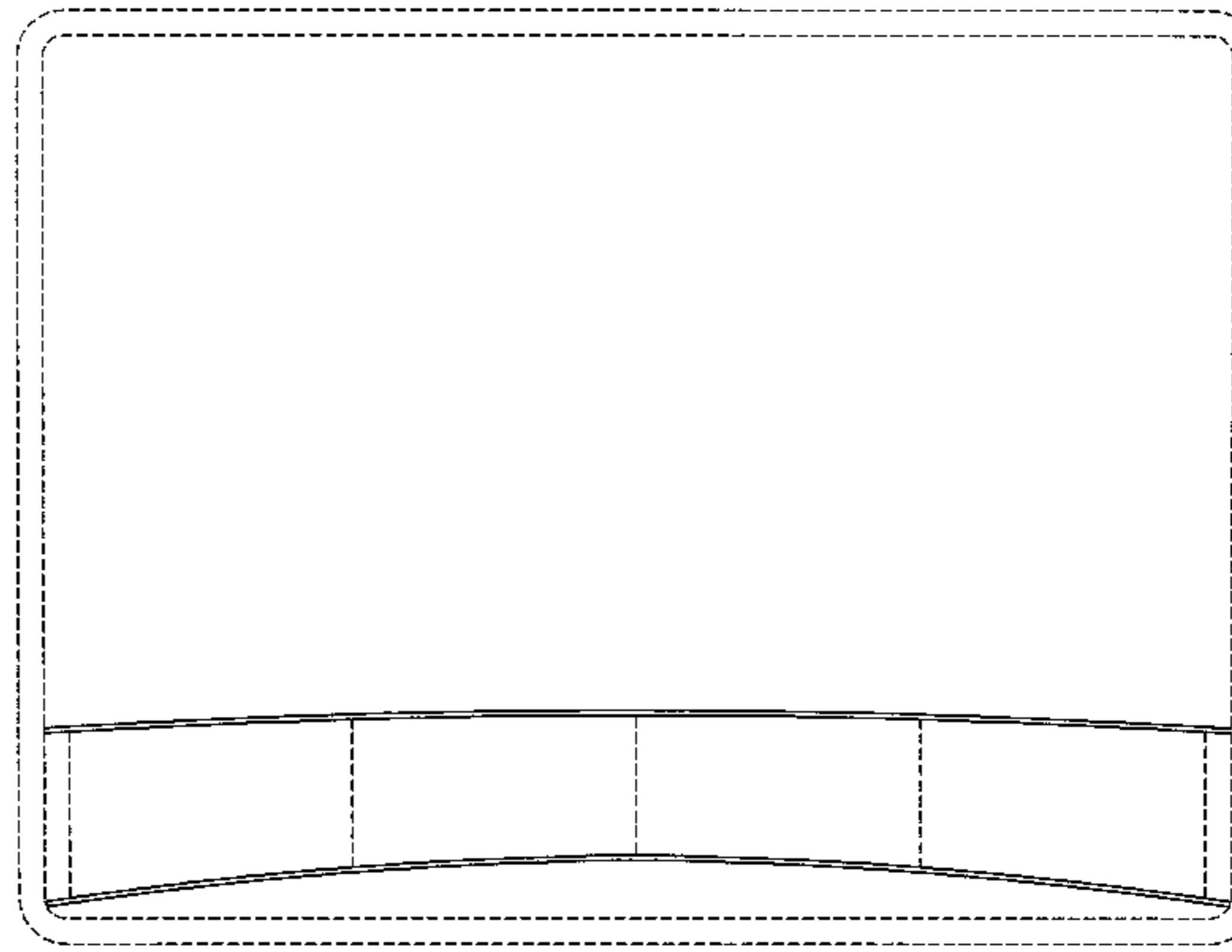
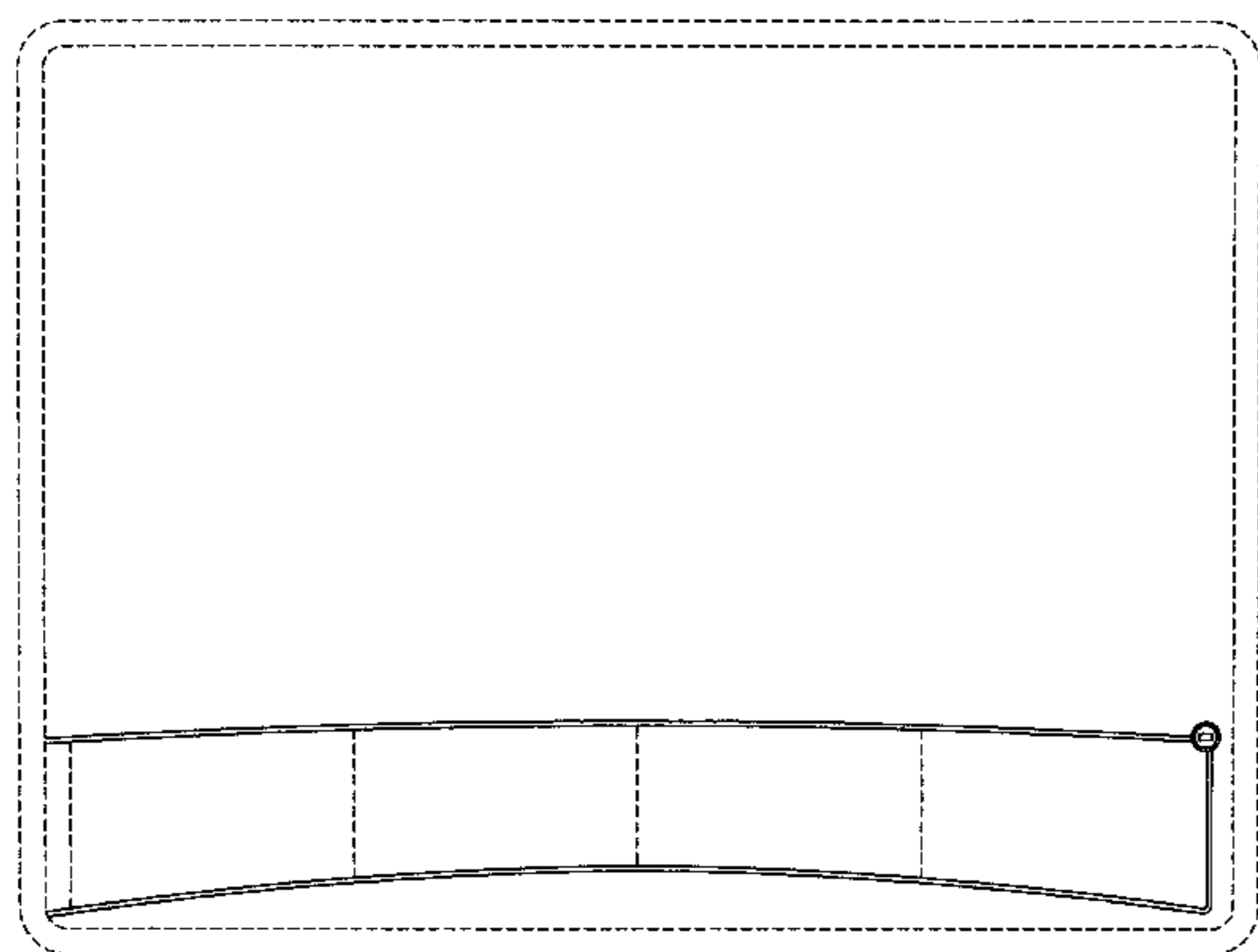
(57) **CLAIM**

The ornamental design for a display screen with a graphical interface, as shown and described.

DESCRIPTION

FIG. 1 is a perspective view illustrating a display screen with a graphical interface according to one embodiment; FIG. 2 is a front view thereof; FIG. 3 is a perspective view illustrating a display screen with a graphical interface according to a second embodiment; and, FIG. 4 is a front view thereof. The broken line showings of the display screen and vertical lines in all of the figures and of the rectangle in FIGS. 1-2 are included for the purpose of illustrating environmental structure and portions of the display screen with a graphical interface. The broken lines form no part of the claimed design.

1 Claim, 4 Drawing Sheets



U.S. PATENT DOCUMENTS

D605,199	S	*	12/2009	Nagata et al.	D14/486
D609,714	S	*	2/2010	Oda et al.	D14/485
7,689,650	B1	*	3/2010	Sanghavi et al.	709/204
D624,930	S	*	10/2010	Agnetta et al.	D14/487
D630,224	S	*	1/2011	Allen	D14/485
D631,886	S	*	2/2011	Vance et al.	D14/486
D637,605	S	*	5/2011	Brinda	D14/488
D638,432	S	*	5/2011	Flik et al.	D14/486
D642,586	S	*	8/2011	Jones et al.	D14/485
D648,741	S	*	11/2011	Lemay	D14/493
D653,259	S	*	1/2012	Vance et al.	D14/486
2001/0028369	A1	*	10/2001	Gallo et al.	345/848
2002/0097277	A1	*	7/2002	Pitroda	345/854
2003/0061285	A1	*	3/2003	Usui et al.	709/205
2003/0090474	A1	*	5/2003	Schaefer	345/173
2003/0231208	A1	*	12/2003	Hanon et al.	345/764
2004/0064510	A1	*	4/2004	Ooi et al.	709/205
2005/0166154	A1	*	7/2005	Wilson et al.	715/751
2005/0262542	A1	*	11/2005	DeWeese et al.	725/106
2007/0192728	A1	*	8/2007	Finley et al.	715/782
2007/0300164	A1	*	12/2007	Bhagal et al.	715/753
2008/0215992	A1	*	9/2008	Or	715/753
2008/0244419	A1	*	10/2008	Kurpick et al.	715/756
2009/0157709	A1	*	6/2009	Kruger et al.	707/100
2009/0177975	A1	*	7/2009	Elgar et al.	715/751
2009/0235184	A1	*	9/2009	Perlson et al.	715/758
2010/0073454	A1	*	3/2010	Lovhaugen et al.	348/14.03
2010/0122183	A1	*	5/2010	Babaian et al.	715/752
2011/0035687	A1	*	2/2011	Katis et al.	715/758
2011/0320044	A1	*	12/2011	Smith et al.	700/276

OTHER PUBLICATIONS

Design U.S. Appl. No. 29/380,008, filed Nov. 29, 2010, entitled "Interface Element," Inventor(s): Oliver C. Wenz et al.
 Design U.S. Appl. No. 29/380,011, filed Nov. 29, 2010, entitled "Interface Element," Inventor(s): Oliver C. Wenz et al.
 Design U.S. Appl. No. 29/380,012, filed Nov. 29, 2010, entitled "Interface Element," Inventor(s): Oliver C. Wenz et al.
 Design U.S. Appl. No. 29/380,014, filed Nov. 29, 2010, entitled "Interface Element," Inventor(s): Oliver C. Wenz et al.
 Design U.S. Appl. No. 29/380,017, filed Nov. 29, 2010, entitled "Interface Element," Inventor(s): Oliver C. Wenz et al.
 Design U.S. Appl. No. 29/380,018, filed Nov. 29, 2010, entitled "Interface Element," Inventor(s): Oliver C. Wenz et al.
 Design U.S. Appl. No. 29/380,019, filed Nov. 29, 2010, entitled "Interface Element," Inventor(s): Oliver C. Wenz et al.
 Design U.S. Appl. No. 29/380,021, filed Nov. 29, 2010, entitled "Interface Element," Inventor(s): Oliver C. Wenz et al.
 Design U.S. Appl. No. 29/380,022, filed Nov. 29, 2010, entitled "Interface Element," Inventor(s): Oliver C. Wenz et al.
 Design U.S. Appl. No. 29/380,023, filed Nov. 29, 2010, entitled "Interface Element," Inventor(s): Oliver C. Wenz et al.
 Vizard, Mike, "Intel CEO Demos Video Conferencing on a Smartphone," CTO Edge, Jan. 8, 2010; 2 pages; <http://www.ctoedge.com/content/intel-ceo-demos-video-conferencing-smartphone>.

* cited by examiner

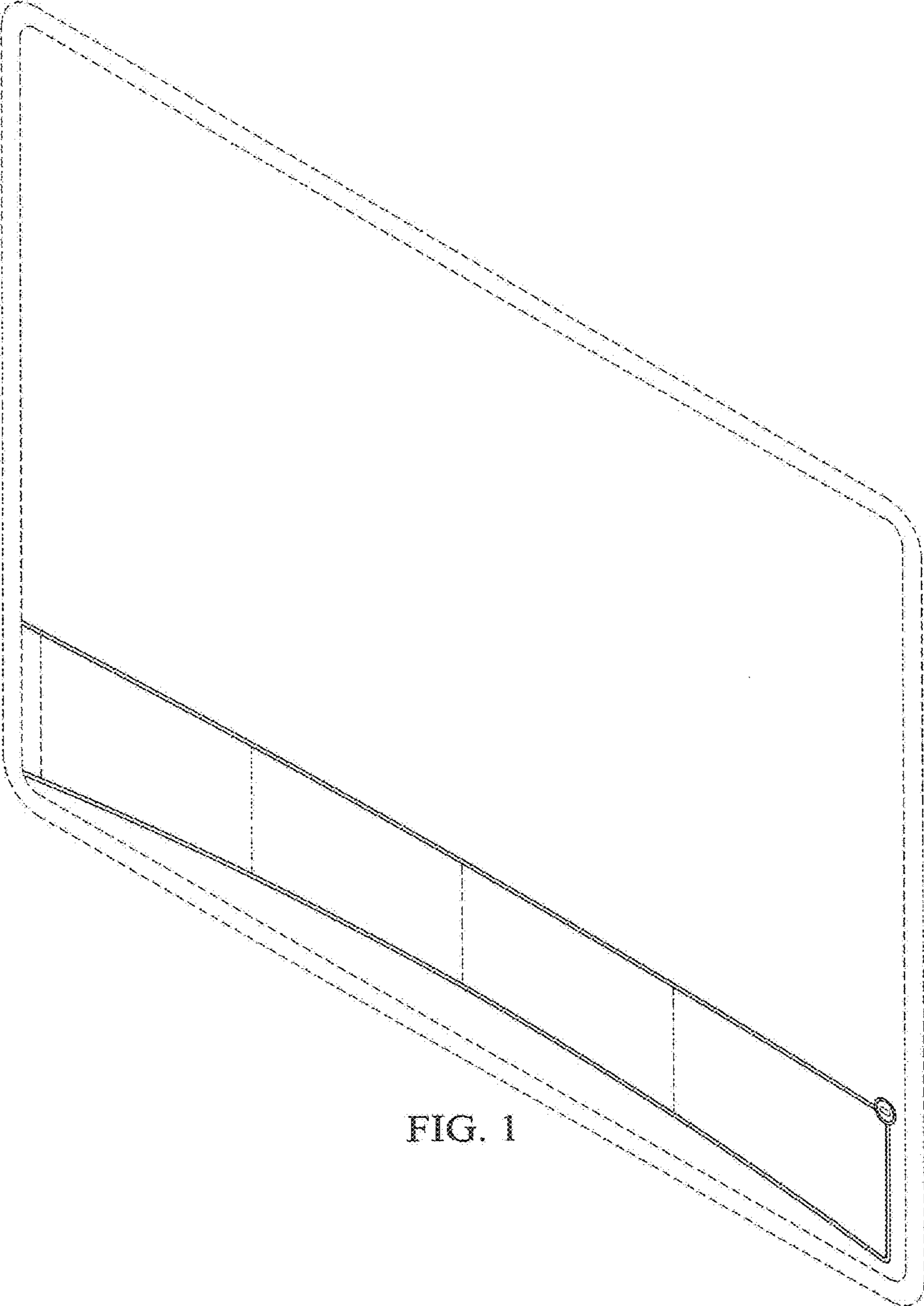


FIG. 1

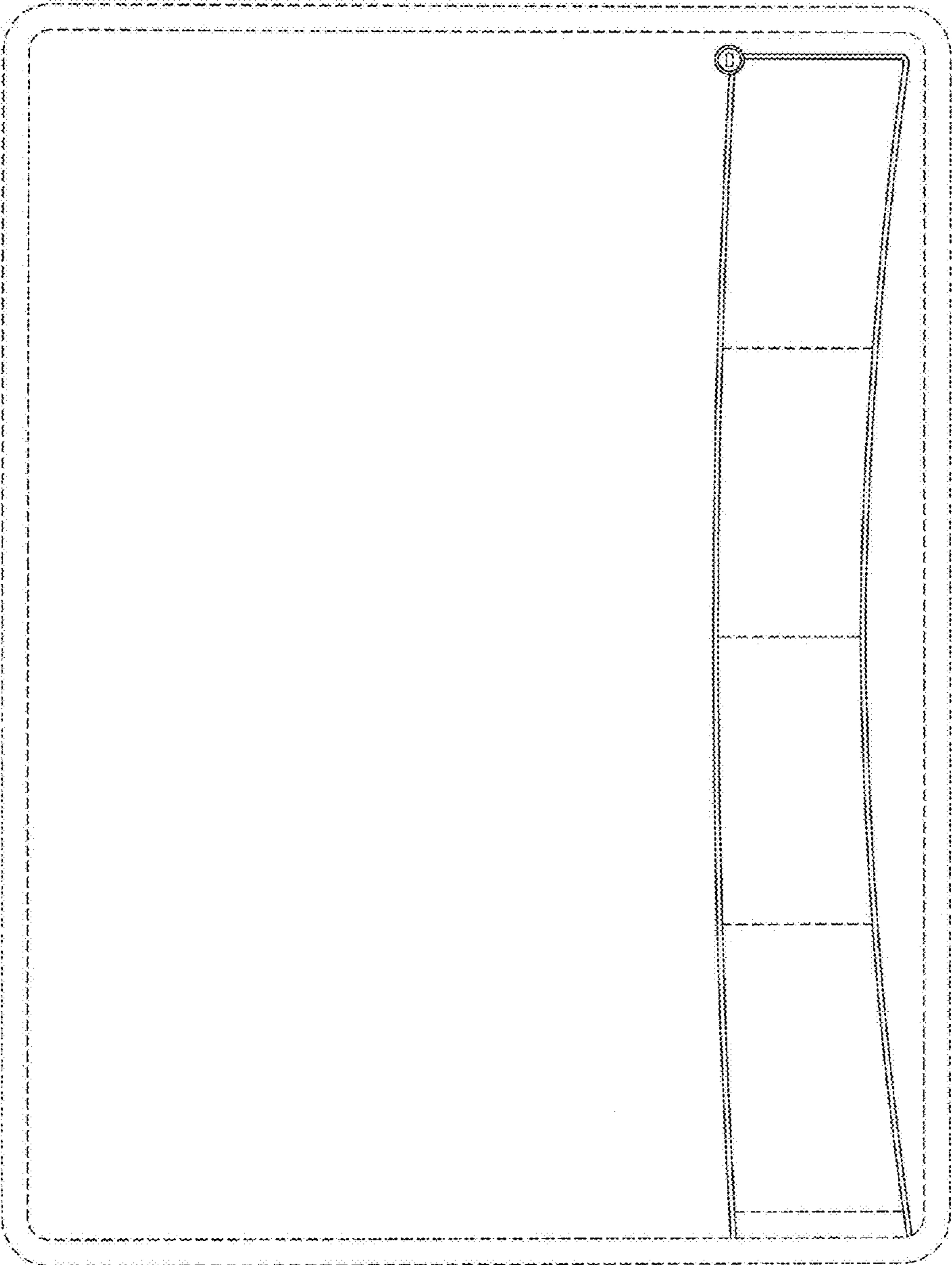


FIG. 2

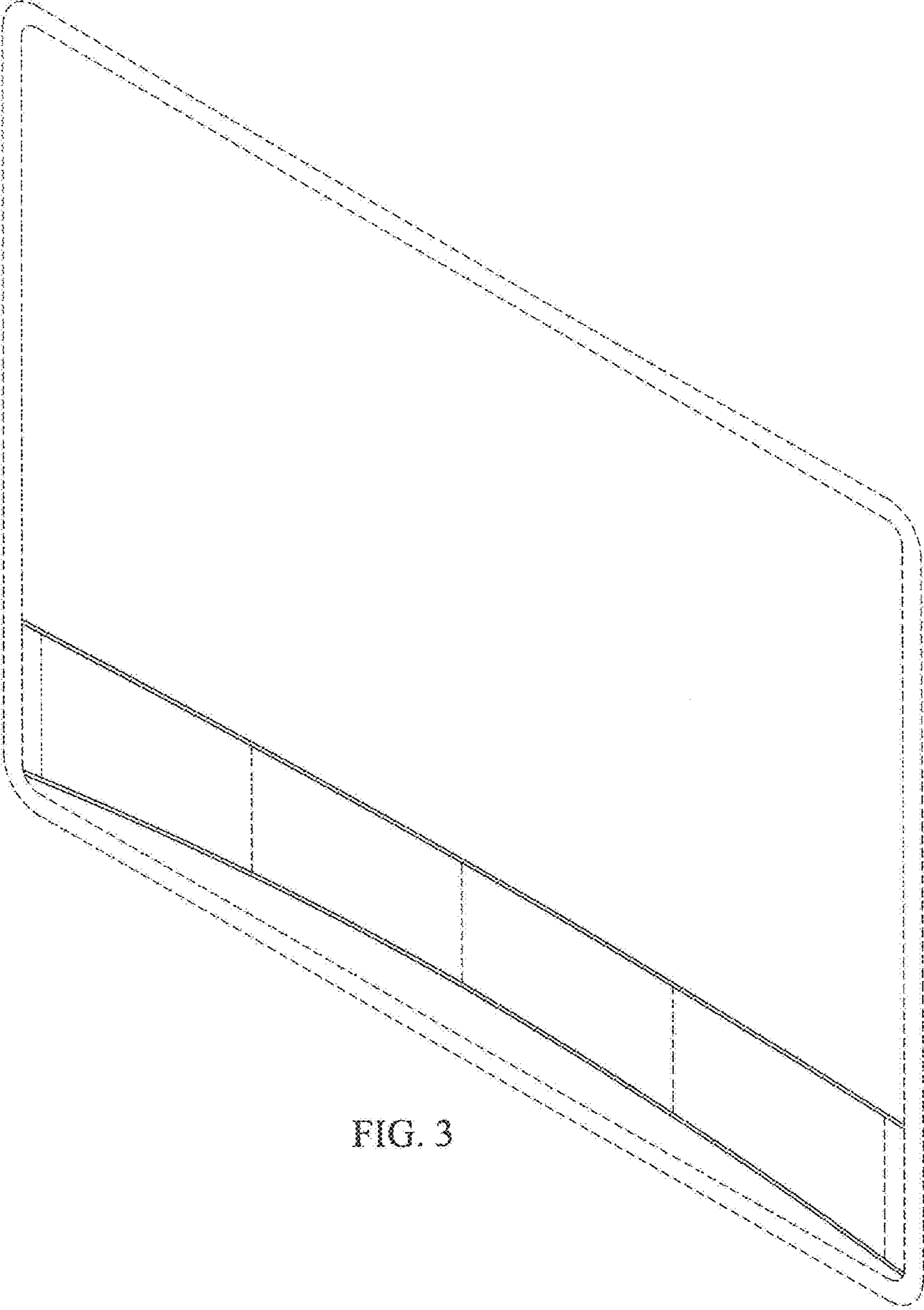


FIG. 3

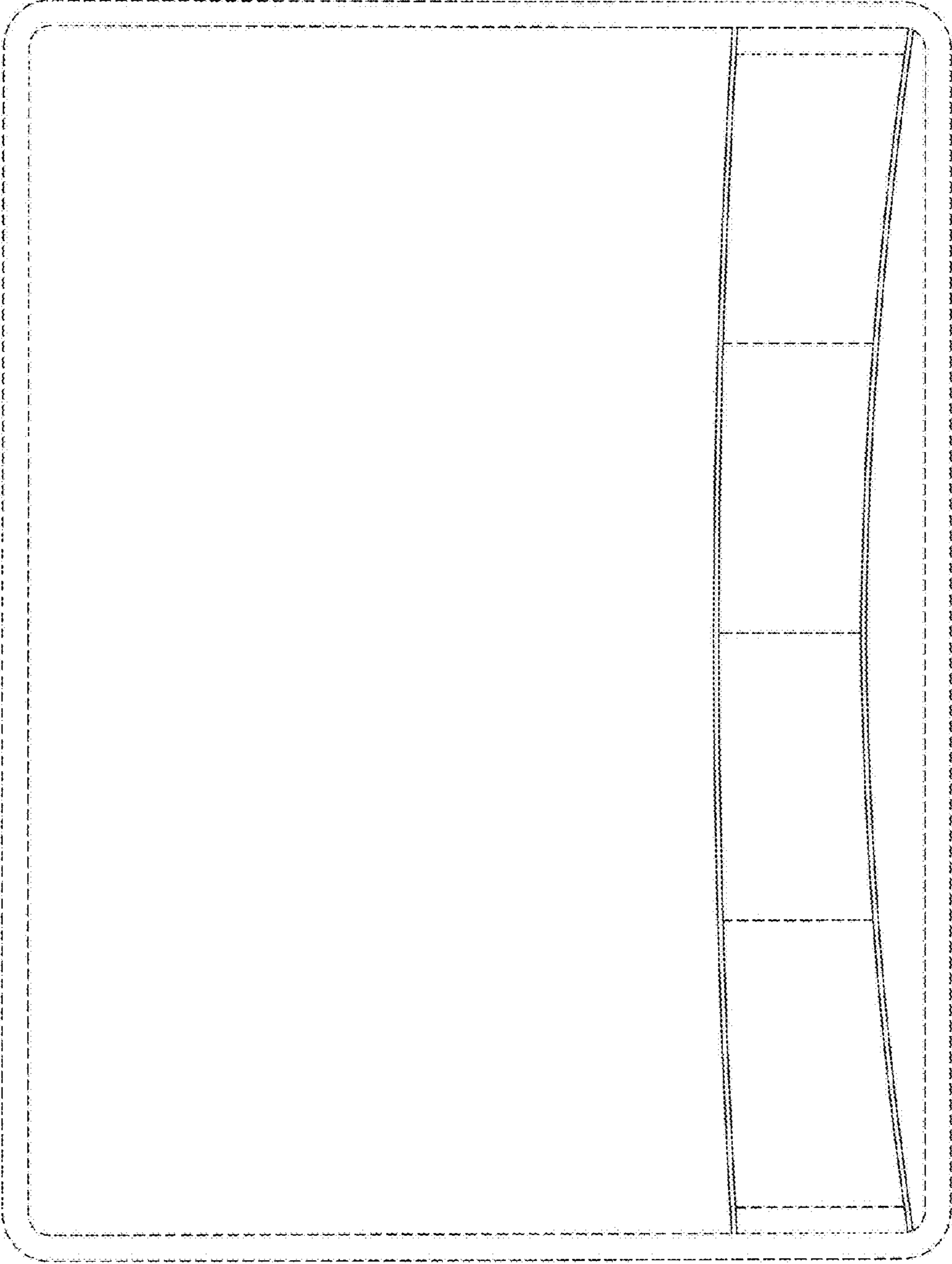


FIG. 4