



US00D684984S

(12) **United States Design Patent**  
**Meadows et al.**

(10) **Patent No.:** **US D684,984 S**  
(45) **Date of Patent:** **\*\* Jun. 25, 2013**

(54) **LUGGAGE STAND FOR ELECTRONIC DEVICE**

(75) Inventors: **Kyle Meadows**, Keller, TX (US); **Kevin Kuykendall**, Trophy Club, TX (US); **Greg H. Parker**, Dallas, TX (US); **Allen Donald Gollott, Jr.**, Missouri City, TX (US); **Philip E. Smid**, Tempe, AZ (US)

(73) Assignee: **Tri-Pad, LLC**, Trophy Club, TX (US)

(\*\*) Term: **14 Years**

(21) Appl. No.: **29/415,387**

(22) Filed: **Mar. 9, 2012**

(51) **LOC (9) Cl.** ..... **08-07**

(52) **U.S. Cl.**  
USPC ..... **D14/474**

(58) **Field of Classification Search**  
USPC ..... D14/447, 432, 433, 434, 439, 440, D14/451, 452, 457, 239, 251, 253, 217, 374, D14/375, 376, 377, 902, 216, 209.1, 204; D12/415, 416; D3/218, 274, 318, 321, 328; D6/406.3, 406.4; 190/117; 361/679.03, 679.09, 361/679.05, 679.26, 679.3, 679.55, 679.56, 361/679.27; 248/176.1, 917, 918, 919, 920, 248/921, 922, 923, 924, 682, 689, 690, 691, 248/692, 441.1, 444, 447, 451, 460, 463, 248/118, 118.5, 149, 150, 166, 434, 177.1; D10/113.4; D16/242, 244, 245; 108/42, 152; D19/88

See application file for complete search history.

(56) **References Cited**

**U.S. PATENT DOCUMENTS**

D367,834 S \* 3/1996 Beavers et al. .... D12/133  
6,065,251 A \* 5/2000 Kindrick ..... 52/36.4  
D431,019 S \* 9/2000 Richter ..... D12/426.1  
6,240,857 B1 \* 6/2001 Elizer ..... 108/152

D459,883 S \* 7/2002 Worrell et al. .... D3/274  
6,604,472 B2 \* 8/2003 McNeil ..... 108/42  
D498,919 S \* 11/2004 Fonfeder ..... D3/206  
D552,152 S \* 10/2007 Almond ..... D16/249  
D578,129 S \* 10/2008 Weber ..... D14/440  
7,513,470 B2 \* 4/2009 Lomberk ..... 248/177.1  
7,821,779 B2 \* 10/2010 Daley, III ..... 361/679.02  
D634,329 S \* 3/2011 Wastrom ..... D14/457  
D637,599 S \* 5/2011 Liao ..... D14/447

(Continued)

**OTHER PUBLICATIONS**

CartDesk Luggage TRolley, Feb. 26, 2010, <http://www.ohgizmo.com/2010/02/26/cartdesk-luggage-trolley/>.\*

*Primary Examiner* — Angela J Lee

(57) **CLAIM**

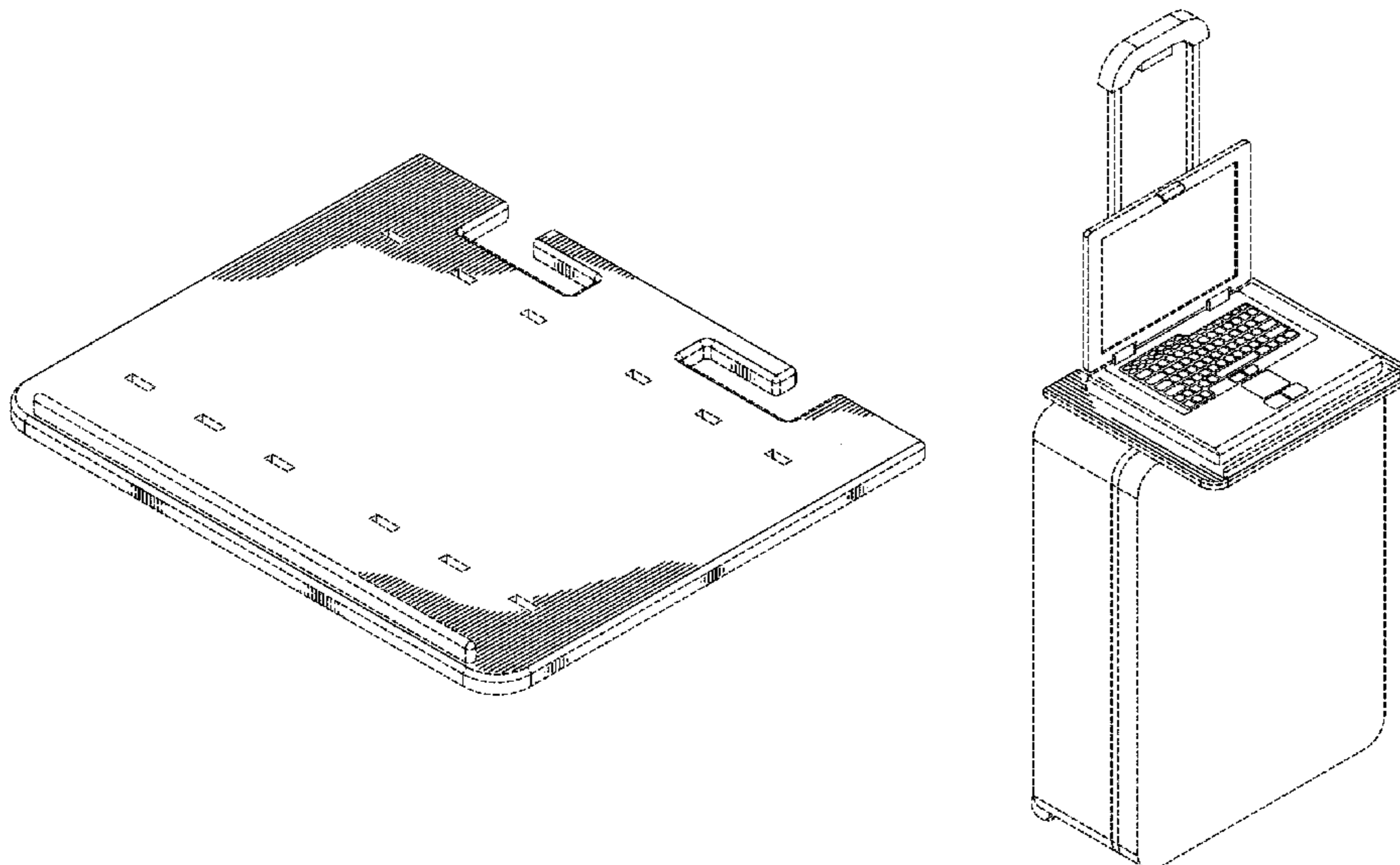
The ornamental design for “luggage stand for electronic device,” as shown and described.

**DESCRIPTION**

FIG. 1 is a front perspective view of the luggage stand for electronic device;  
FIG. 2 is a front view of the luggage stand for electronic device;  
FIG. 3 is a rear view of the luggage stand for electronic device;  
FIG. 4 is a right view of the luggage stand for electronic device;  
FIG. 5 is a left view of the luggage stand for electronic device;  
FIG. 6 is a top view of the luggage stand for electronic device;  
FIG. 7 is a bottom view of the luggage stand for electronic device; and,  
FIG. 8 is an environmental perspective view including the luggage stand for electronic device.

The broken lines shown in the drawings represent portions of the stand for electronic device or environment that form no part of the claimed design.

**1 Claim, 6 Drawing Sheets**



# US D684,984 S

Page 2

---

U.S. PATENT DOCUMENTS									
7,946,609	B2 *	5/2011	Johnson et al. ....	280/652	2004/0262485	A1 *	12/2004	Marceau et al. ....	248/346.01
7,950,335	B1 *	5/2011	Almond et al. ....	108/42	2009/0224113	A1 *	9/2009	Voorhees .....	248/122.1
D660,306	S *	5/2012	Voorhees .....	D14/447	2011/0303126	A1 *	12/2011	Martenson .....	108/49
D661,354	S *	6/2012	Karnis .....	D19/88					

\* cited by examiner

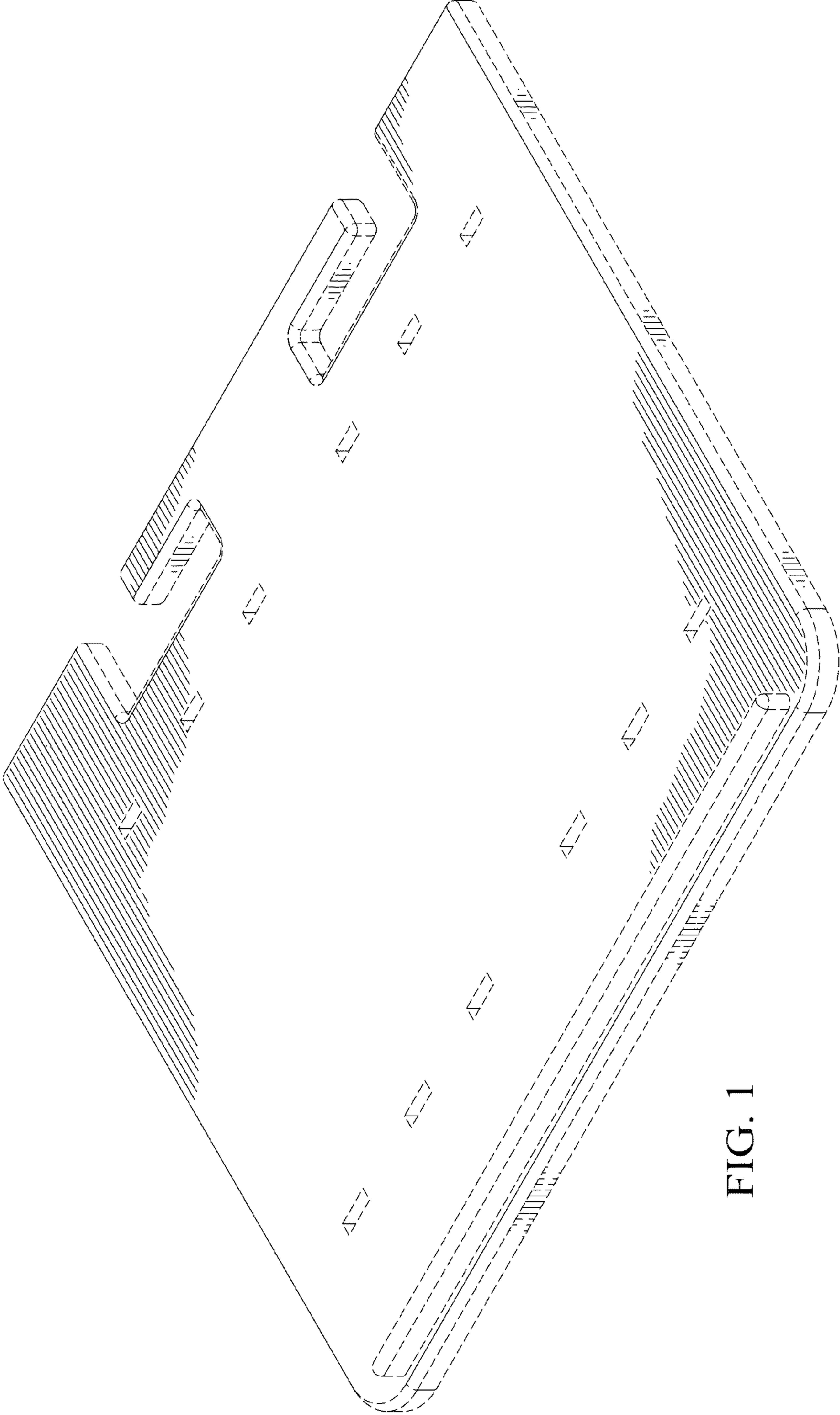


FIG. 1

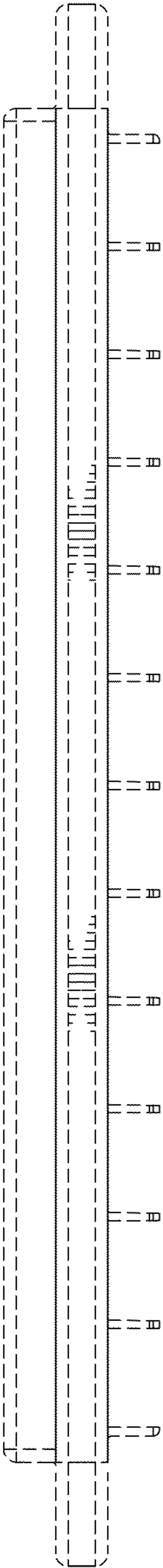


FIG. 2



FIG. 3

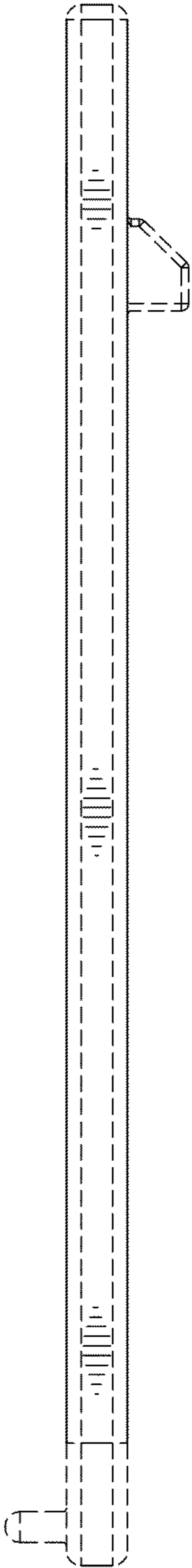


FIG. 4

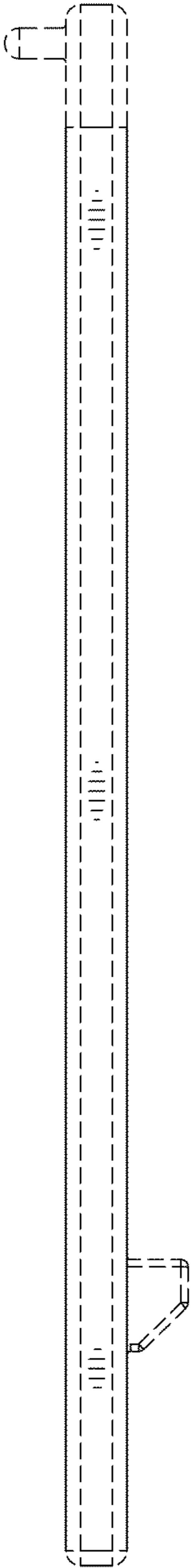


FIG. 5

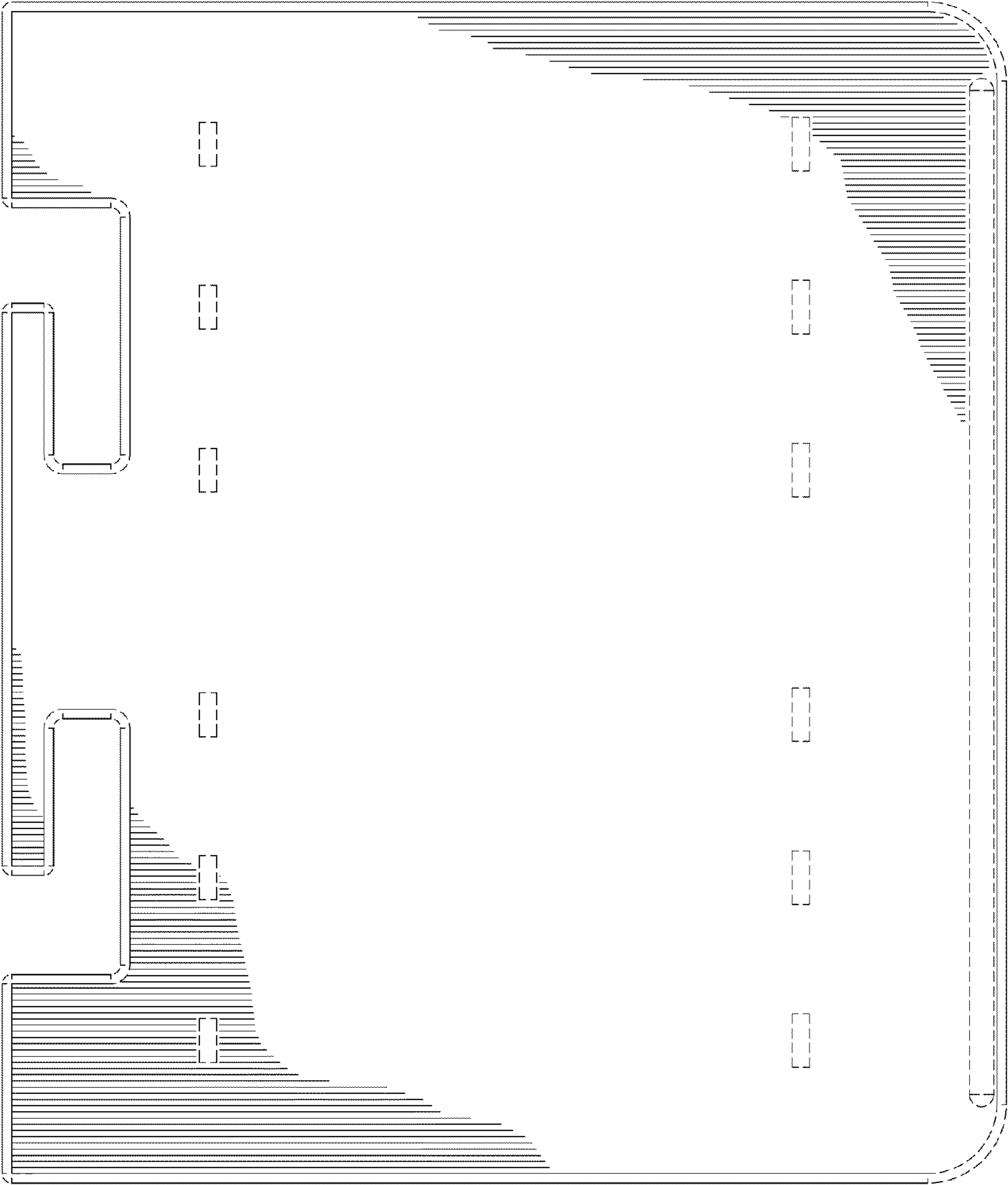


FIG. 6

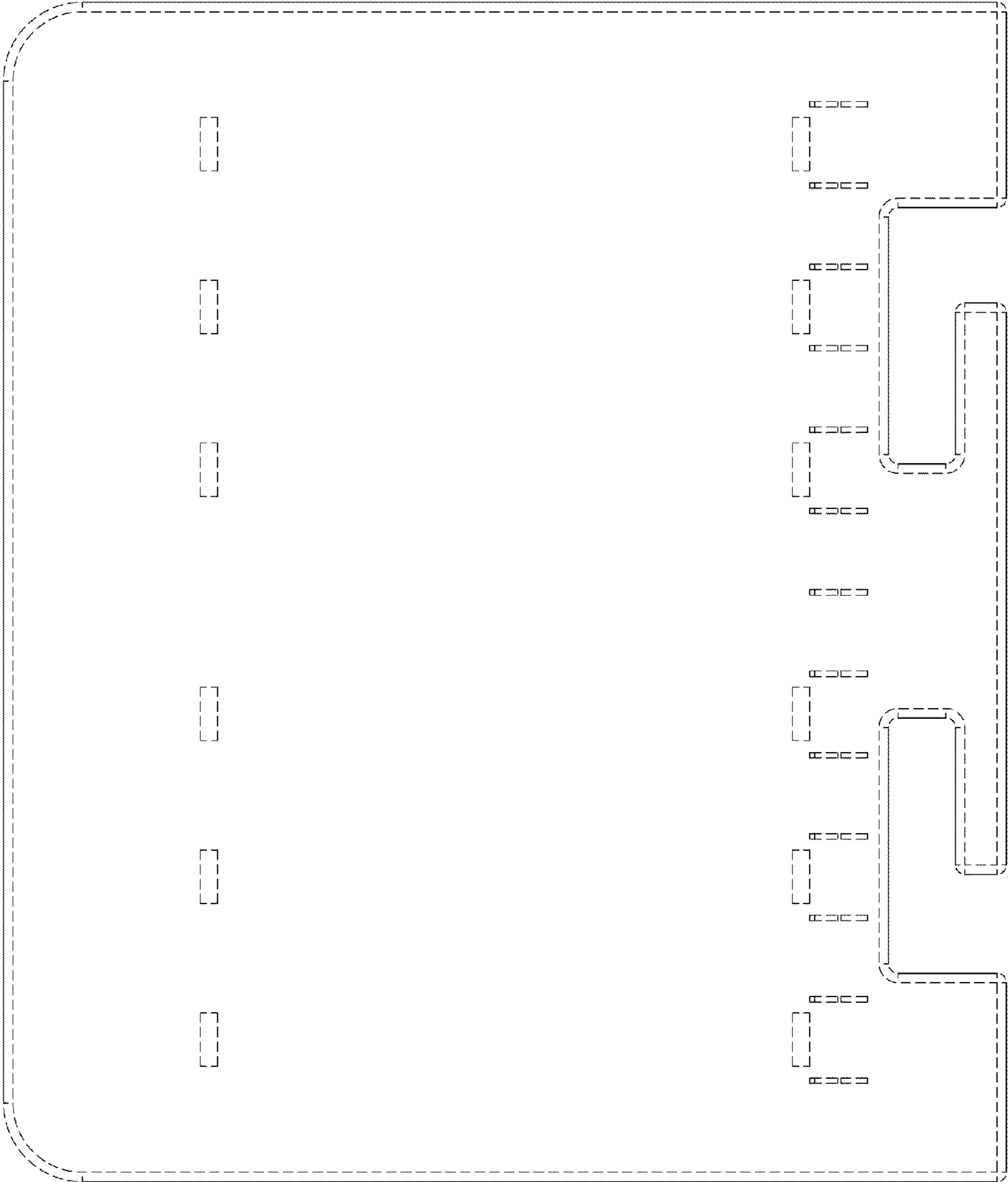


FIG. 7

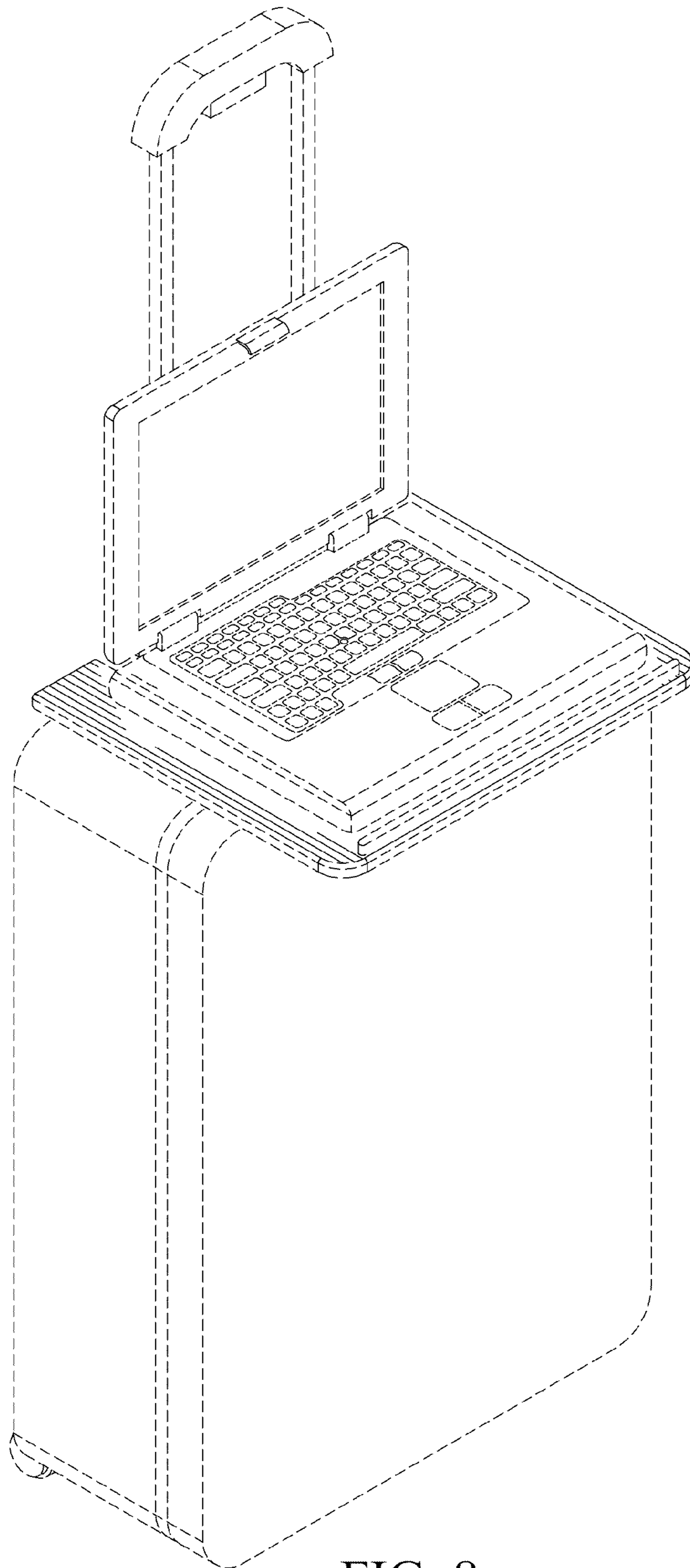


FIG. 8