



US00D684981S

(12) **United States Design Patent**
Chang et al.

(10) **Patent No.:** **US D684,981 S**
(45) **Date of Patent:** **** Jun. 25, 2013**

(54) **NOTEBOOK COMPUTER**

(75) Inventors: **Yuan-Shie Chang**, Taipei (TW);
Chia-Hung Ou, Taipei (TW)

(73) Assignee: **Compal Electronics, Inc.**, Taipei (TW)

(**) Term: **14 Years**

(21) Appl. No.: **29/426,378**

(22) Filed: **Jul. 5, 2012**

(51) **LOC (9) Cl.** **08-07**

(52) **U.S. Cl.**
USPC **D14/451**

(58) **Field of Classification Search**
USPC . D14/451, 452, 448, 447, 239, 253; 248/917,
248/918, 921, 422, 281.11, 278.1, 280.1,
248/280.11, 346.01

See application file for complete search history.

(56) **References Cited**

U.S. PATENT DOCUMENTS

D491,943	S	*	6/2004	Whitehorn et al.	D14/375
D517,550	S	*	3/2006	Depay et al.	D14/375
D610,560	S	*	2/2010	Chen	D14/126
D645,867	S	*	9/2011	Wong et al.	D14/447
D646,684	S	*	10/2011	Tierney et al.	D14/451

D662,506	S	*	6/2012	Skinner et al.	D14/451
D676,431	S	*	2/2013	Lu et al.	D14/239
2002/0171020	A1	*	11/2002	Huang et al.	248/346.01
2006/0208145	A1	*	9/2006	Chen	248/289.11
2009/0168321	A1	*	7/2009	Kataoka et al.	361/679.22

* cited by examiner

Primary Examiner — Cynthia Ramirez

(74) *Attorney, Agent, or Firm* — CKC & Partners Co., Ltd.

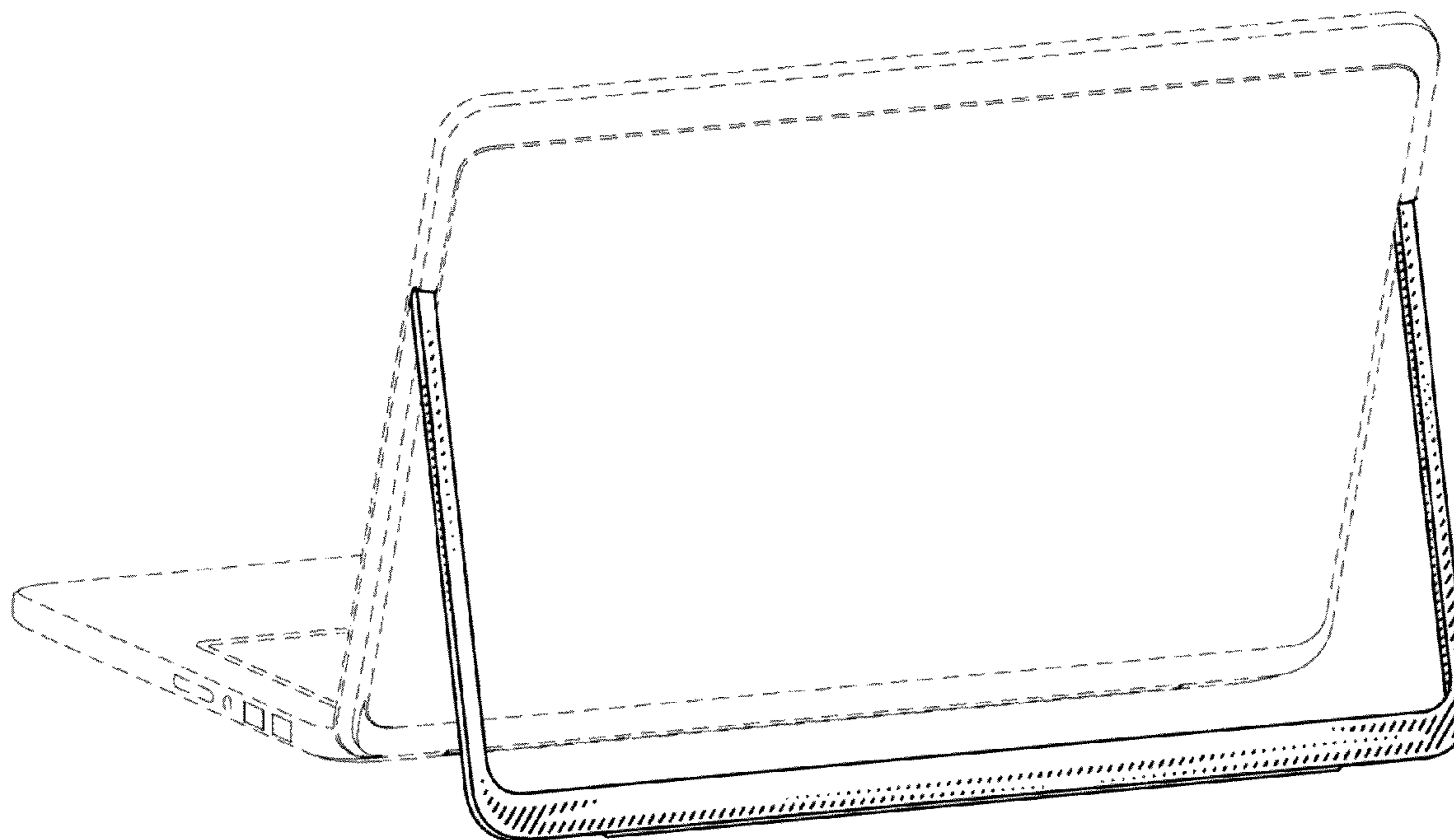
(57) **CLAIM**

The ornamental design for a notebook computer, as shown and described.

DESCRIPTION

FIG. 1 is a perspective view of a notebook computer showing our new design;
FIG. 2 is a front view thereof;
FIG. 3 is a rear view thereof;
FIG. 4 is a left side view thereof;
FIG. 5 is a right side view thereof;
FIG. 6 is a top view thereof;
FIG. 7 is a bottom view thereof; and,
FIG. 8 is a perspective view thereof shown in a closed state.
The broken lines shown represent unclaimed subject matter and form no part of the claimed design.

1 Claim, 6 Drawing Sheets



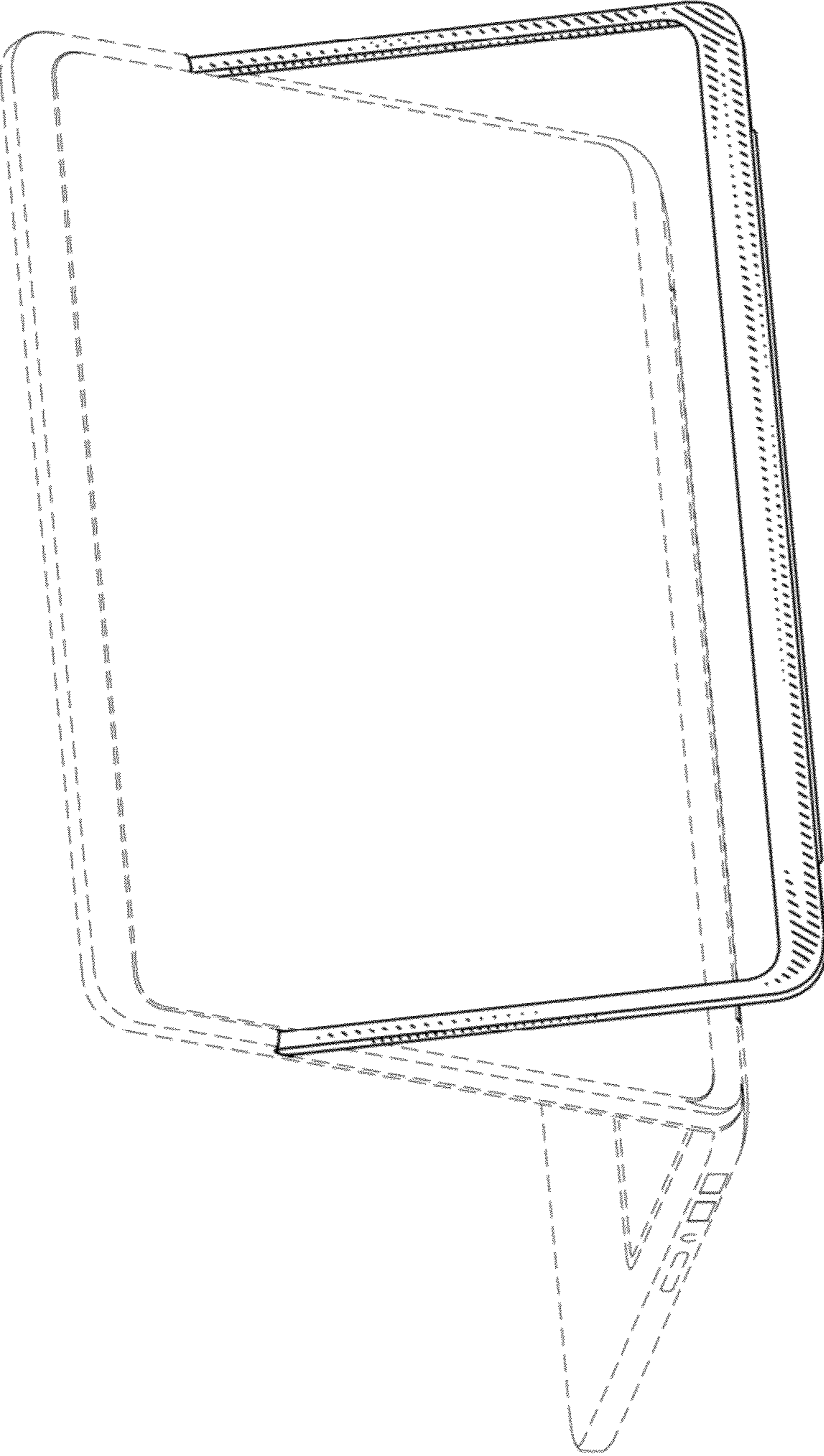


FIG. 1

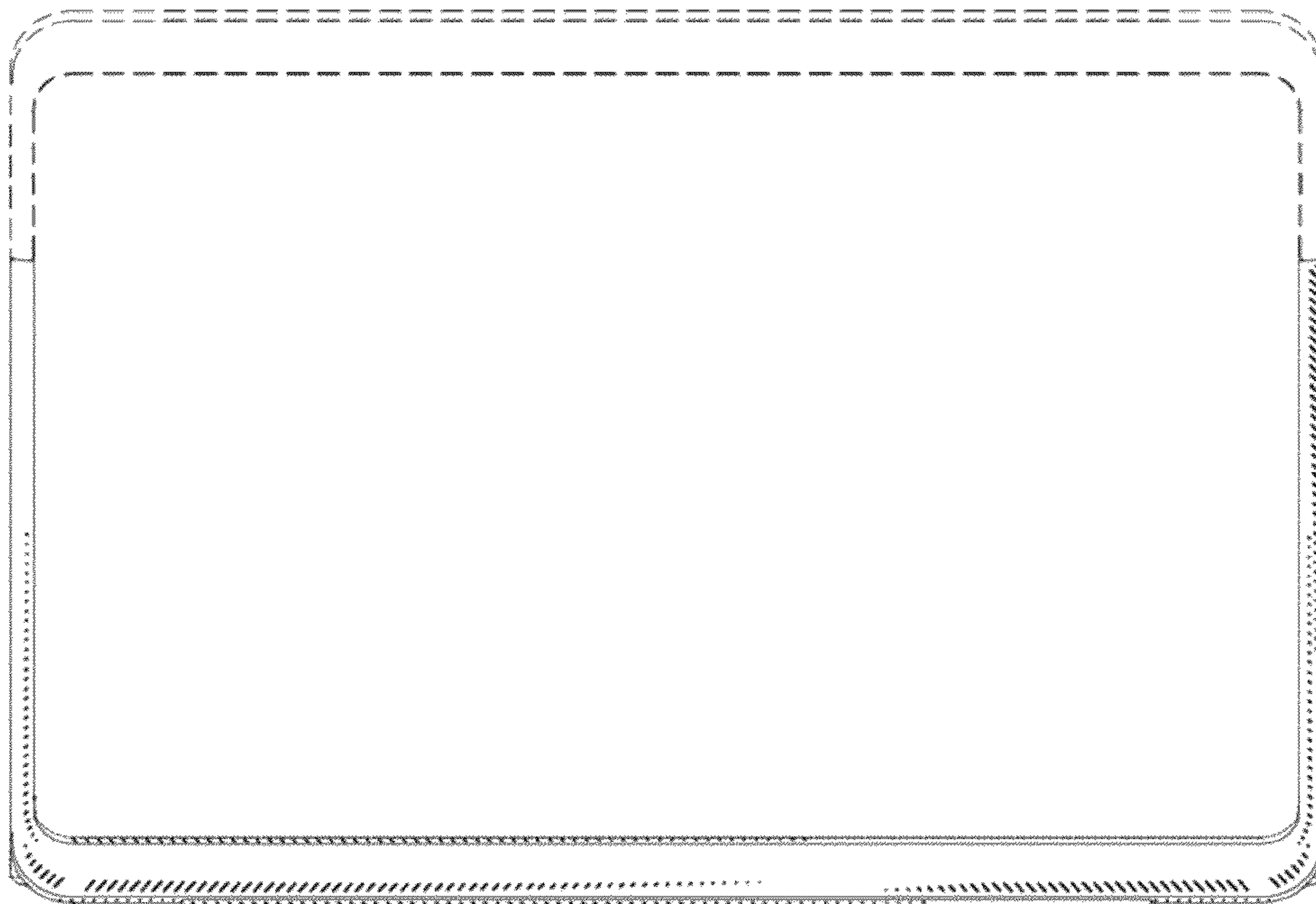


FIG. 2



FIG. 3

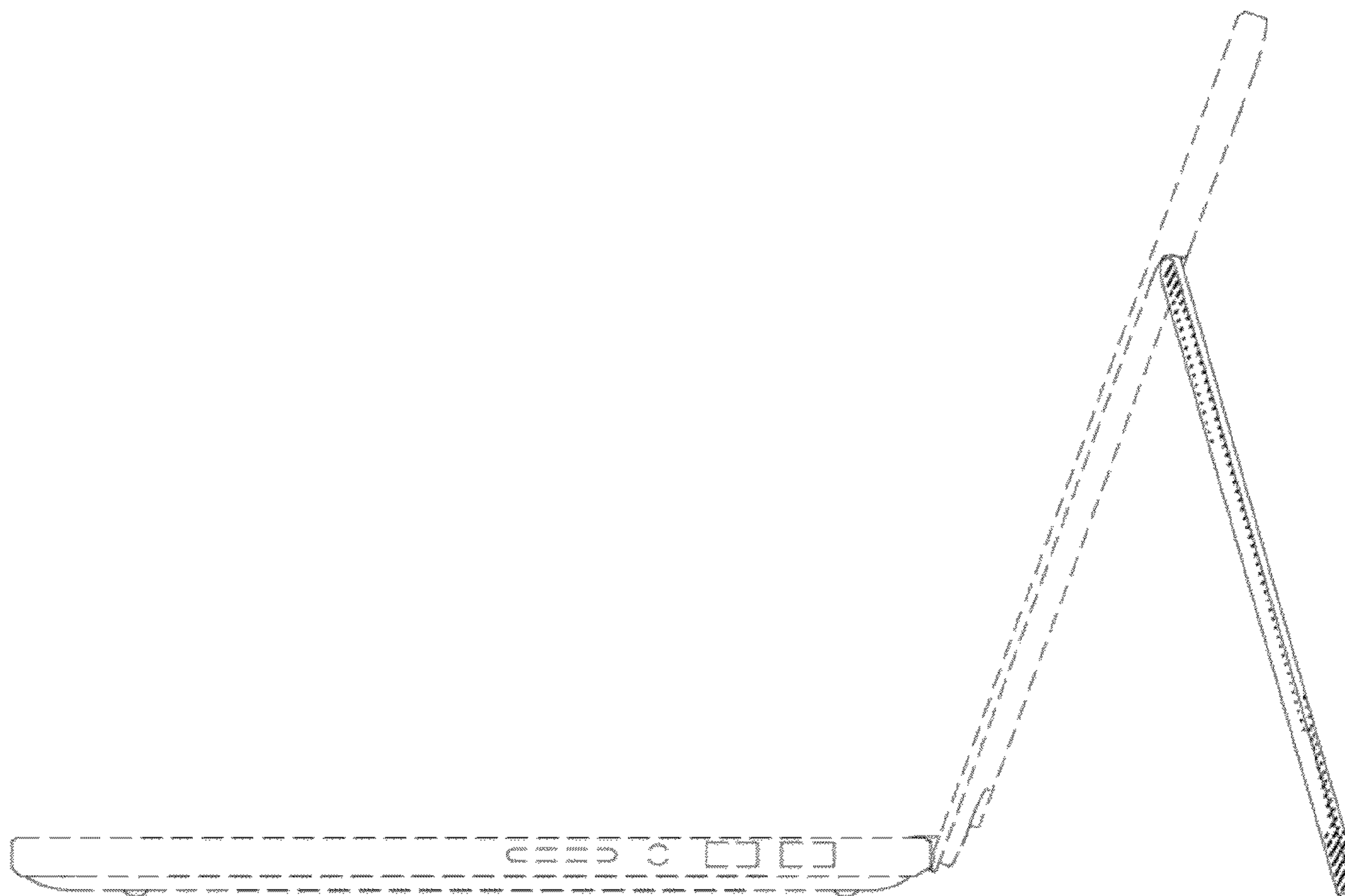


FIG. 4

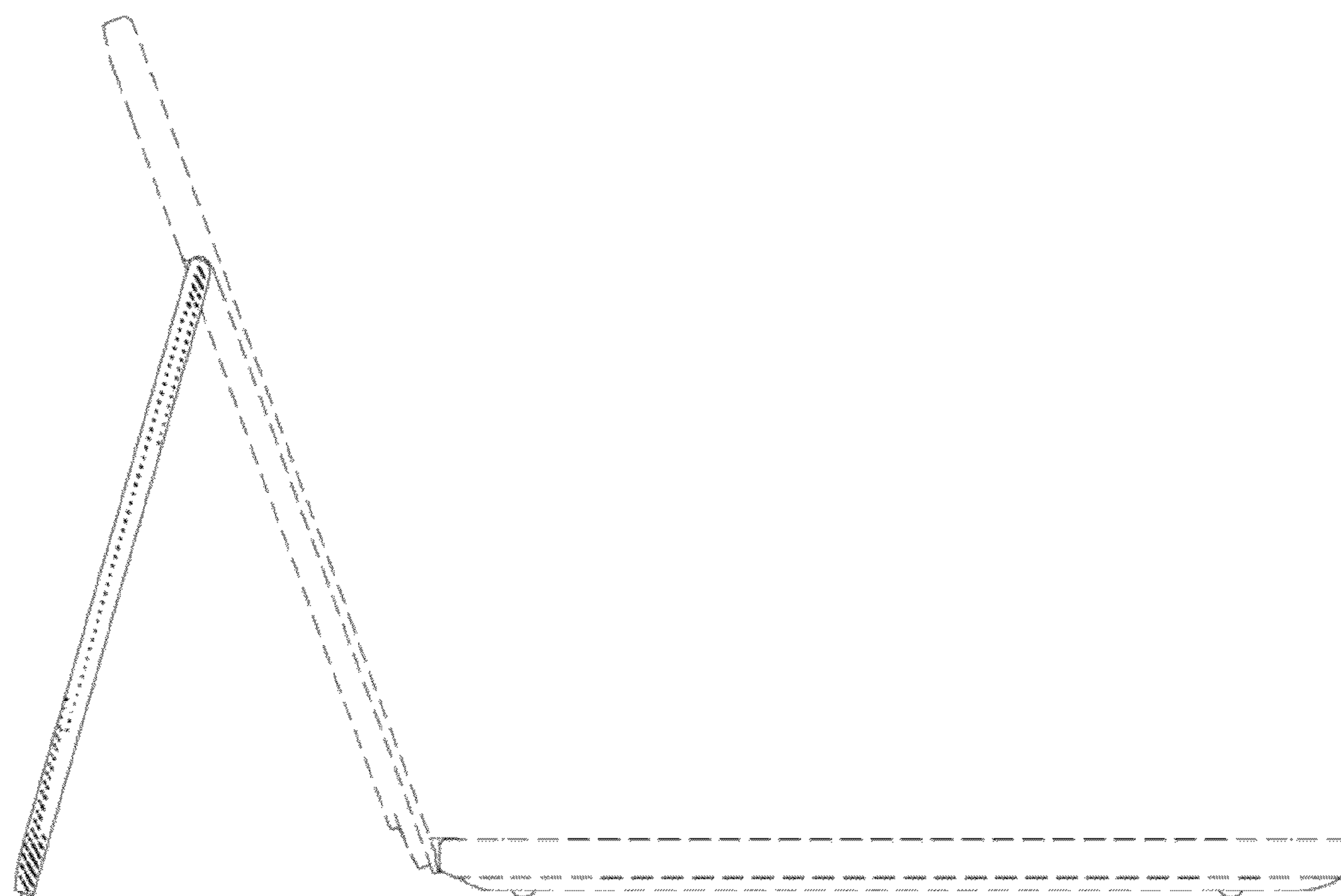


FIG. 5

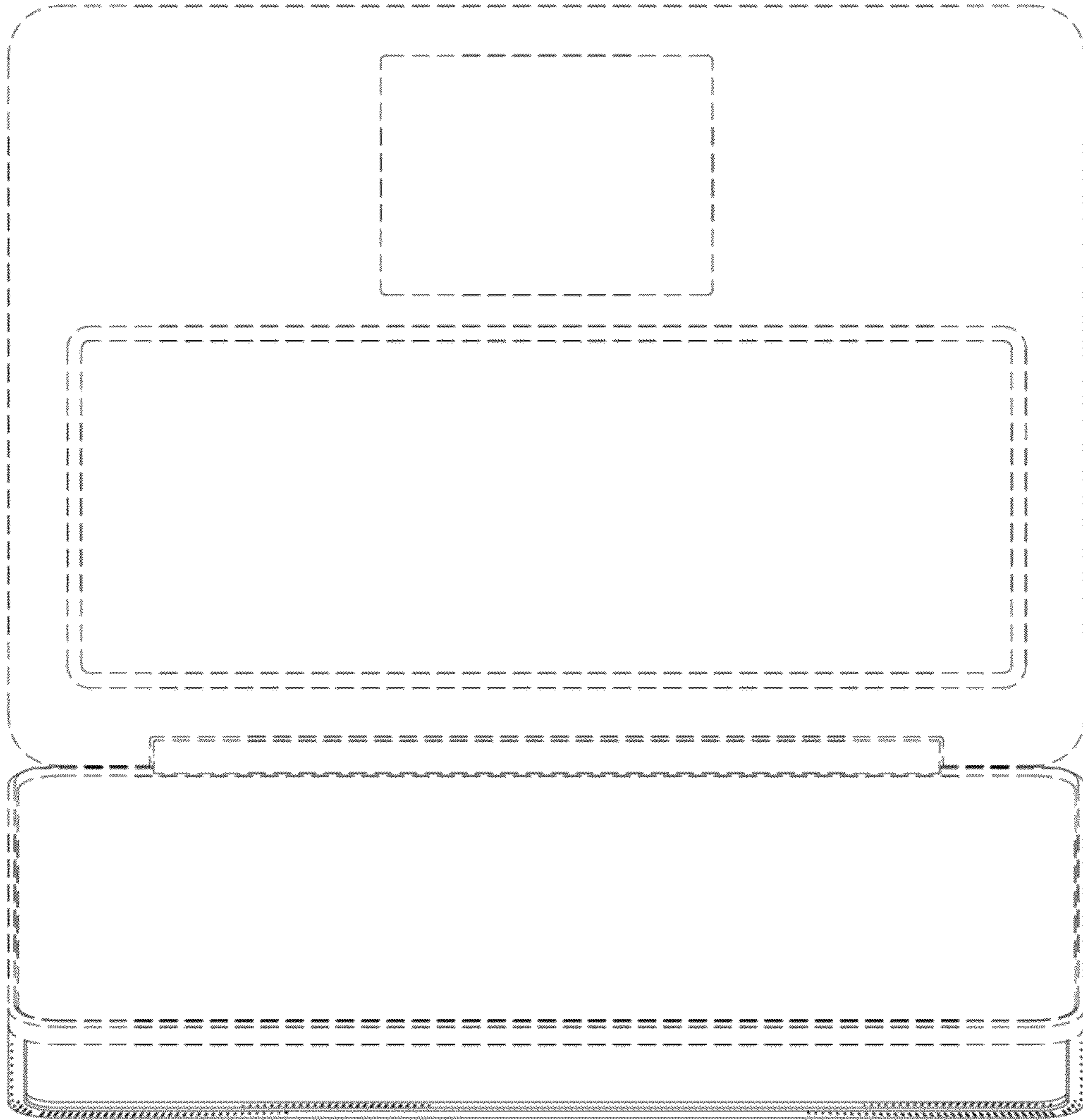


FIG. 6

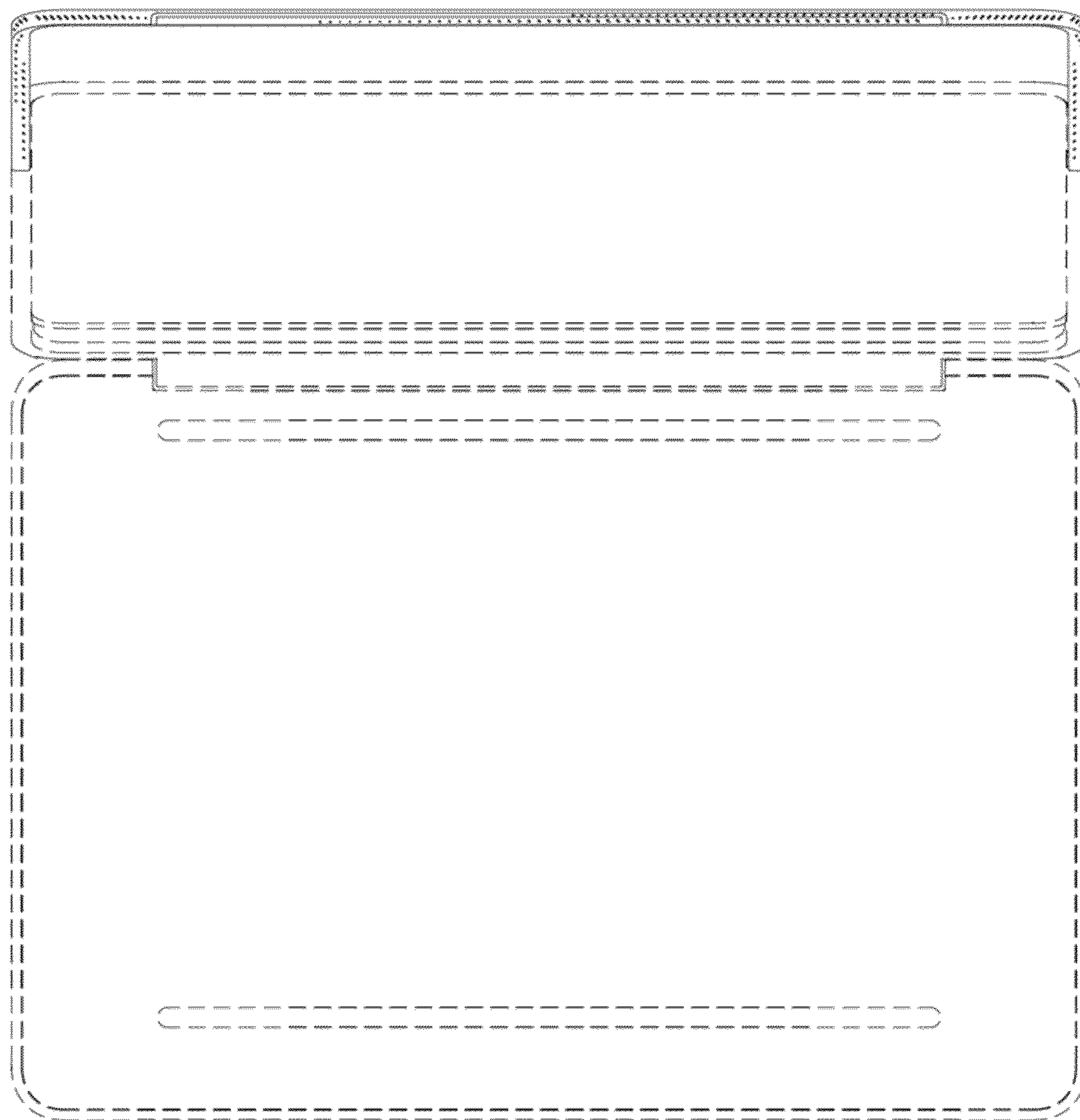


FIG. 7

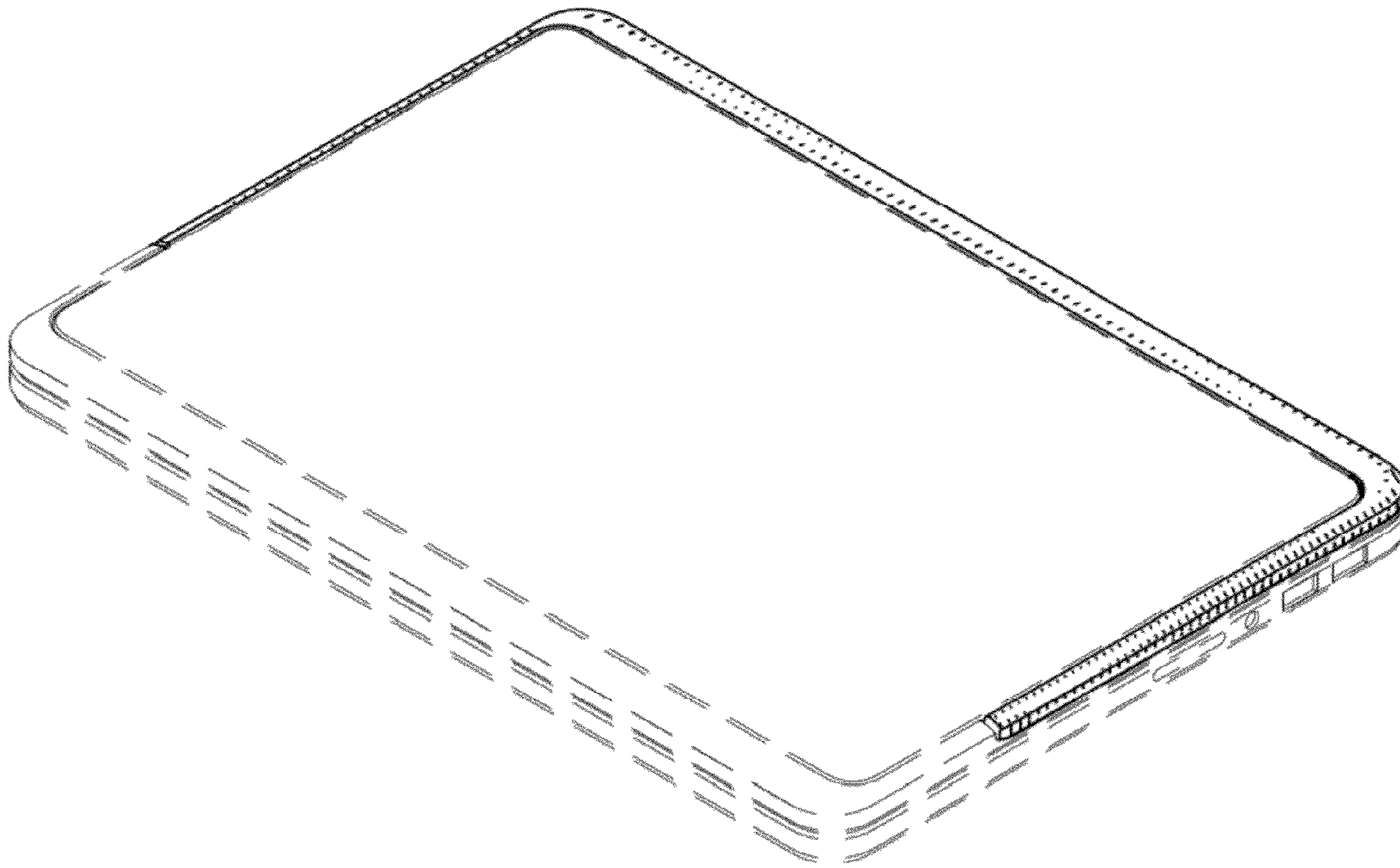


FIG. 8