



US00D684980S

(12) **United States Design Patent**
Chun

(10) **Patent No.:** **US D684,980 S**
(45) **Date of Patent:** **** Jun. 25, 2013**

(54) **ADJUSTABLE HOLDER FOR HANDHELD DEVICE**

(71) Applicant: **James K. Chun**, Fremont, CA (US)

(72) Inventor: **James K. Chun**, Fremont, CA (US)

(**) Term: **14 Years**

(21) Appl. No.: **29/441,707**

(22) Filed: **Jan. 9, 2013**

(51) **LOC (9) Cl.** **08-07**

(52) **U.S. Cl.**
USPC **D14/447**

(58) **Field of Classification Search**

USPC D14/432, 433, 434, 439, 440, 451,
D14/452, 239, 217, 224.1, 251, 252, 253,
D14/457, 458, 459, 460, 461; D6/406.1,
D6/406.2, 406.3, 406.4, 406.5, 406.6;
361/679.06, 679.21, 679.22, 679.24, 679.26,
361/679.27, 679.28, 679.3, 679.55, 679.56,
361/709; 248/917-924, 133, 136, 139, 150,
248/176.1, 188.6

See application file for complete search history.

(56) **References Cited**

U.S. PATENT DOCUMENTS

7,537,190 B2 * 5/2009 Fan 248/309.1
D603,322 S * 11/2009 Nicieja D12/415
D630,222 S * 1/2011 Lin D14/447
D646,315 S * 10/2011 Orf D16/242
D646,674 S * 10/2011 Liao D14/253
D650,774 S * 12/2011 Molter D14/239

(Continued)

Primary Examiner — Angela J Lee

(74) Attorney, Agent, or Firm — Dean A. Graine

(57) **CLAIM**

The ornamental design for an adjustable holder for a handheld device.

DESCRIPTION

FIG. 1 is a front top perspective view of an adjustable holder for a handheld device showing the adjustable holder holding a handheld device in a portrait orientation.

FIG. 2 is a front elevational view of the adjustable holder shown in FIG. 1.

FIG. 3 is a rear elevational view of the adjustable holder shown in FIG. 2.

FIG. 4 is a left side elevational view of the adjustable holder shown in FIG. 2.

FIG. 5 is a right side elevational view of the adjustable holder shown in FIG. 2.

FIG. 6 is a top plan view of the adjustable holder shown in FIG. 2.

FIG. 7 is a bottom plan view of the adjustable holder shown in FIG. 2.

FIG. 8 is a front top perspective view of the adjustable holder for handheld device, but shown in an alternate position for holding a handheld device in a landscape orientation.

FIG. 9 is a front elevational view of the adjustable holder shown in FIG. 8.

FIG. 10 is a rear elevational view of the adjustable holder shown in FIG. 8.

FIG. 11 is a left side elevational view of the adjustable holder shown in FIG. 8.

FIG. 12 is a right side elevational view of the adjustable holder shown in FIG. 8.

FIG. 13 is a top plan view of the adjustable holder shown in FIG. 8.

FIG. 14 is a bottom plan view of the adjustable holder shown in FIG. 8.

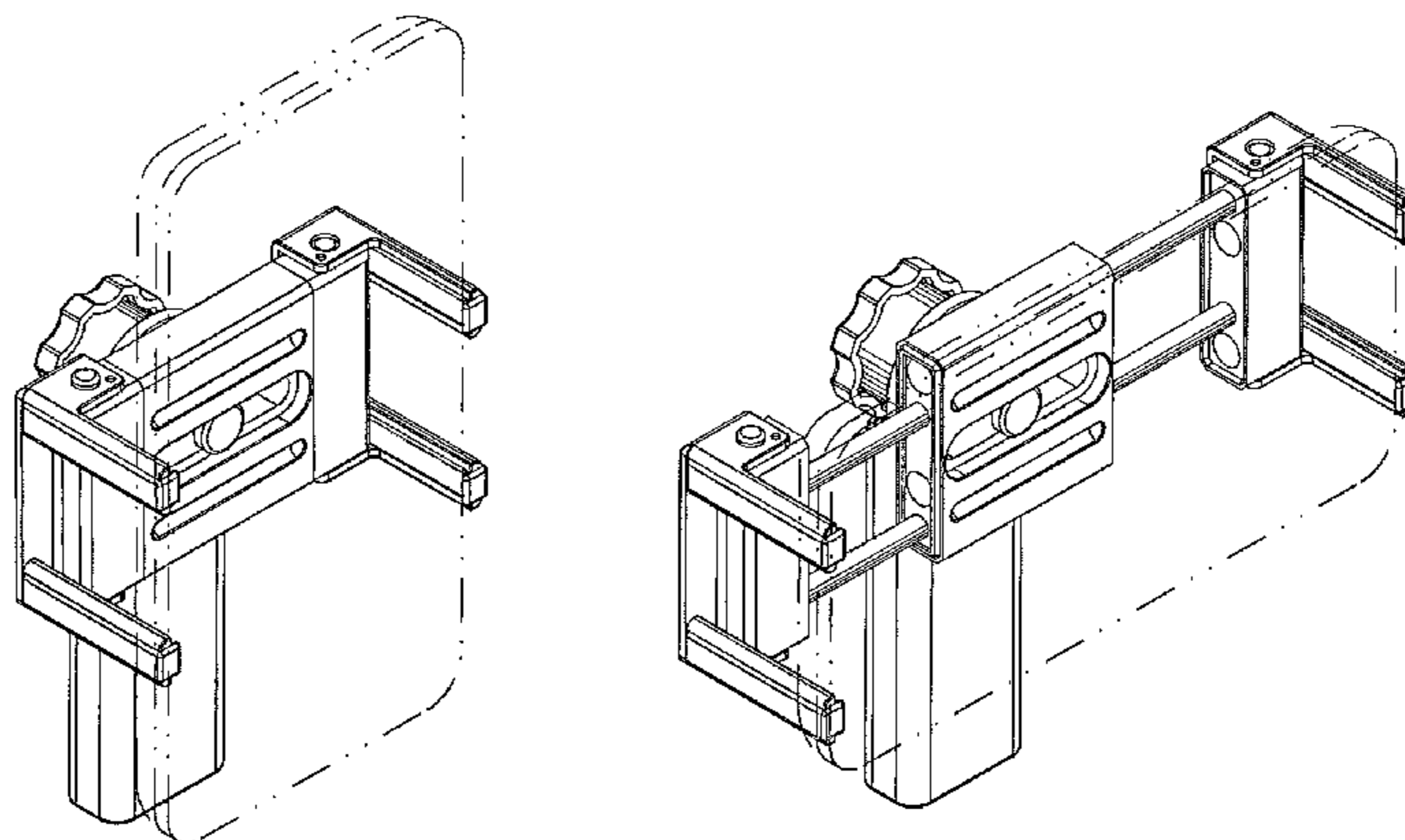
FIG. 15 is a front top perspective view of the adjustable holder for handheld device, but shown in an alternate closed position.

FIG. 16 is a front elevational view of the adjustable holder shown in FIG. 15; and,

FIG. 17 is a left side elevational view of the adjustable holder shown in FIG. 15.

The broken lines shown in the drawings illustrate unclaimed portions of a handheld device used with the invention and form no part of the claimed design.

1 Claim, 5 Drawing Sheets



US D684,980 S

Page 2

U.S. PATENT DOCUMENTS

D658,169 S *	4/2012	Mo	D14/253	D670,690 S *	11/2012	Daniel et al.	D14/253
D665,797 S *	8/2012	Novak	D14/253	D679,700 S *	4/2013	Werth	D14/253
D669,459 S *	10/2012	Kim	D14/253	D679,716 S *	4/2013	Mo	D14/447
D670,284 S *	11/2012	Choi	D14/253					

* cited by examiner

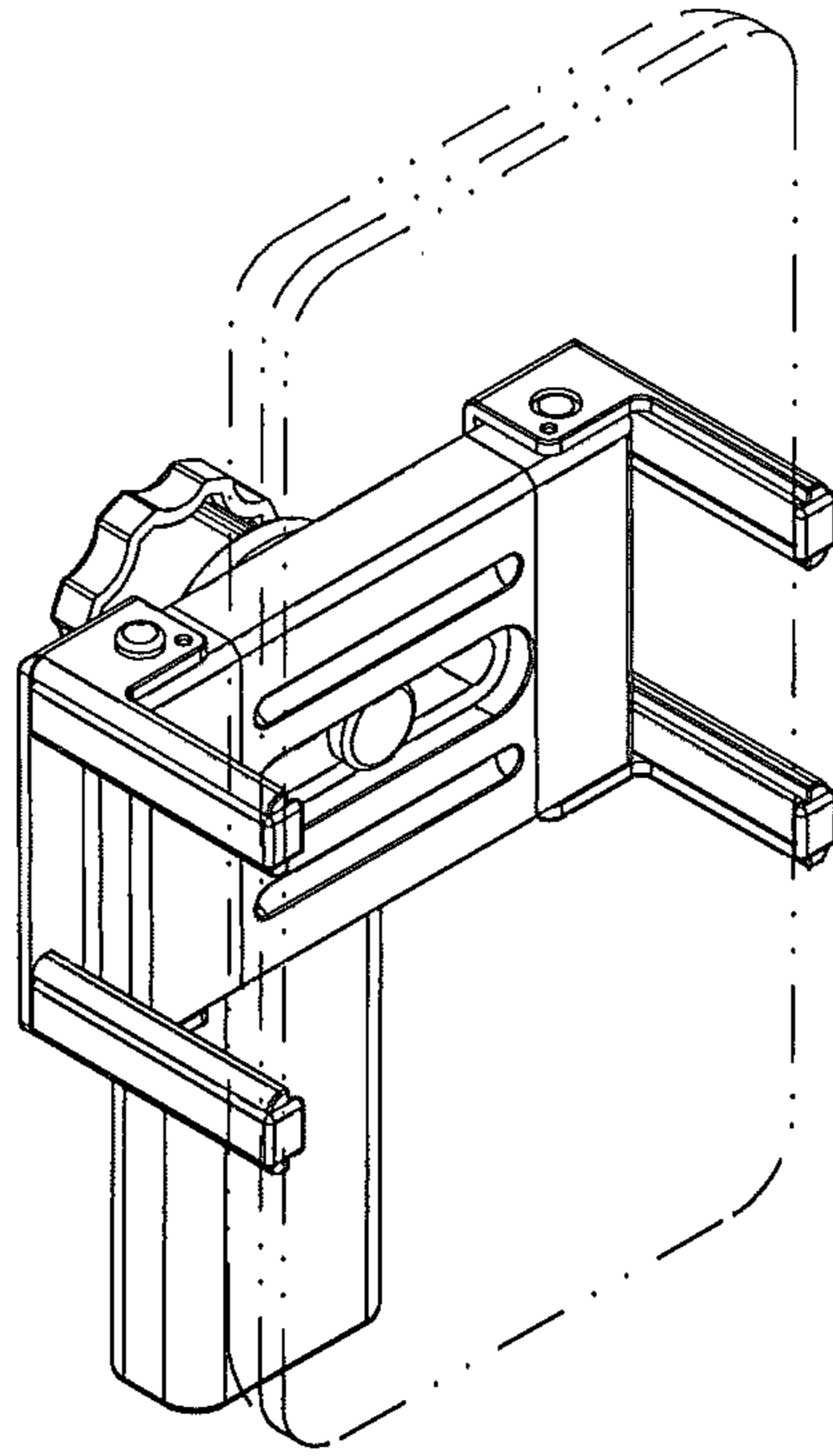


Fig. 1

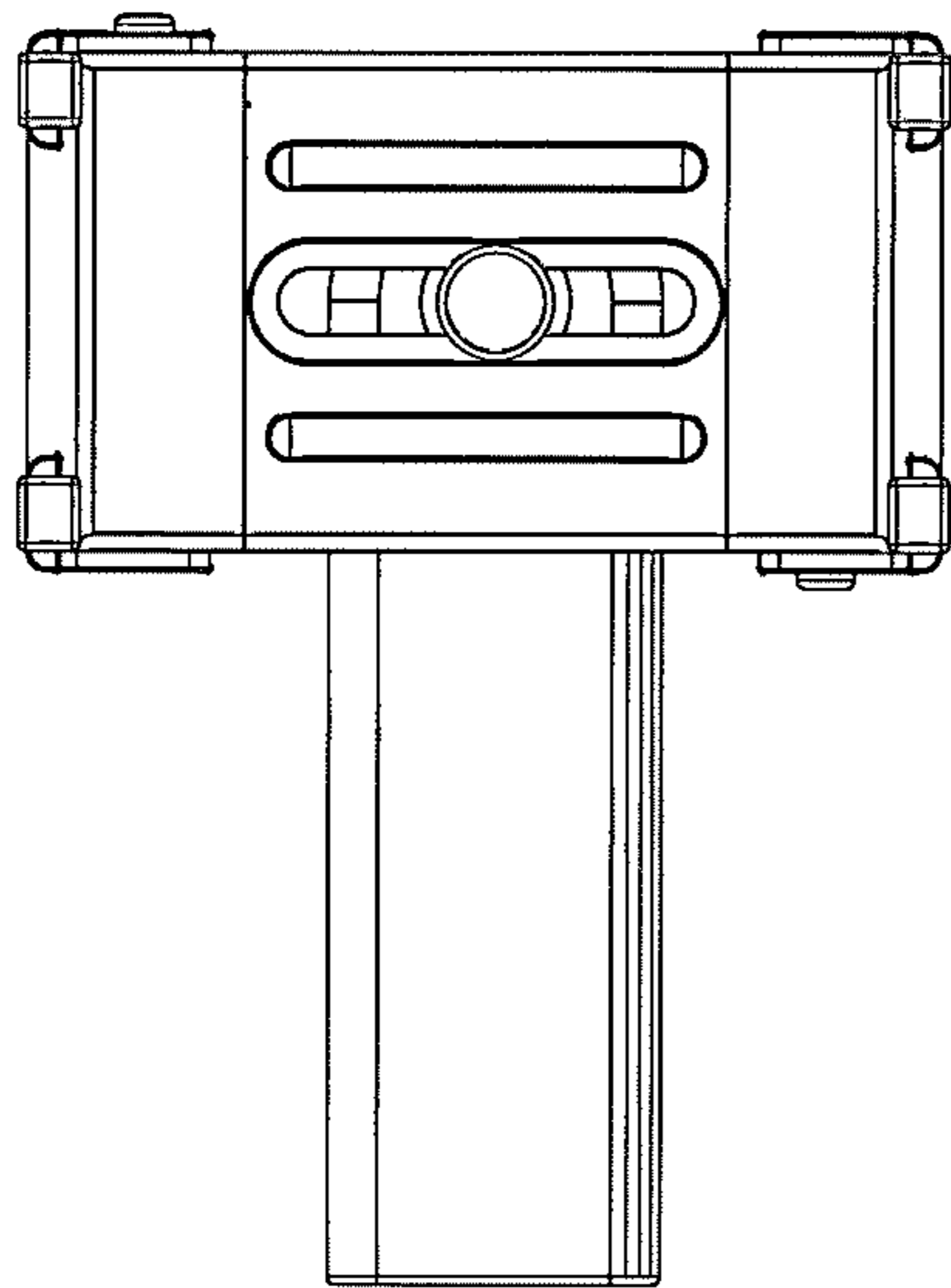


Fig. 2

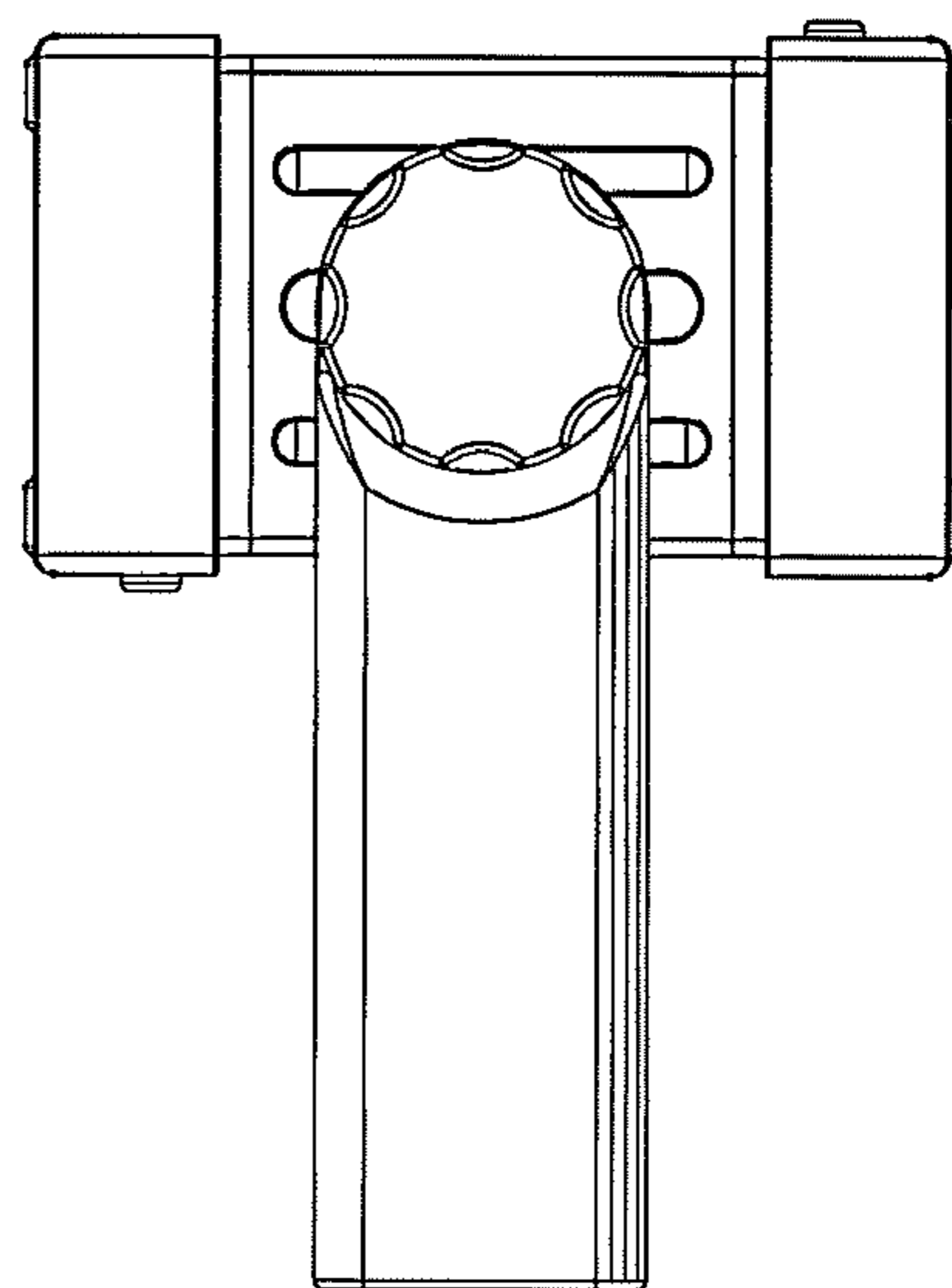


Fig. 3

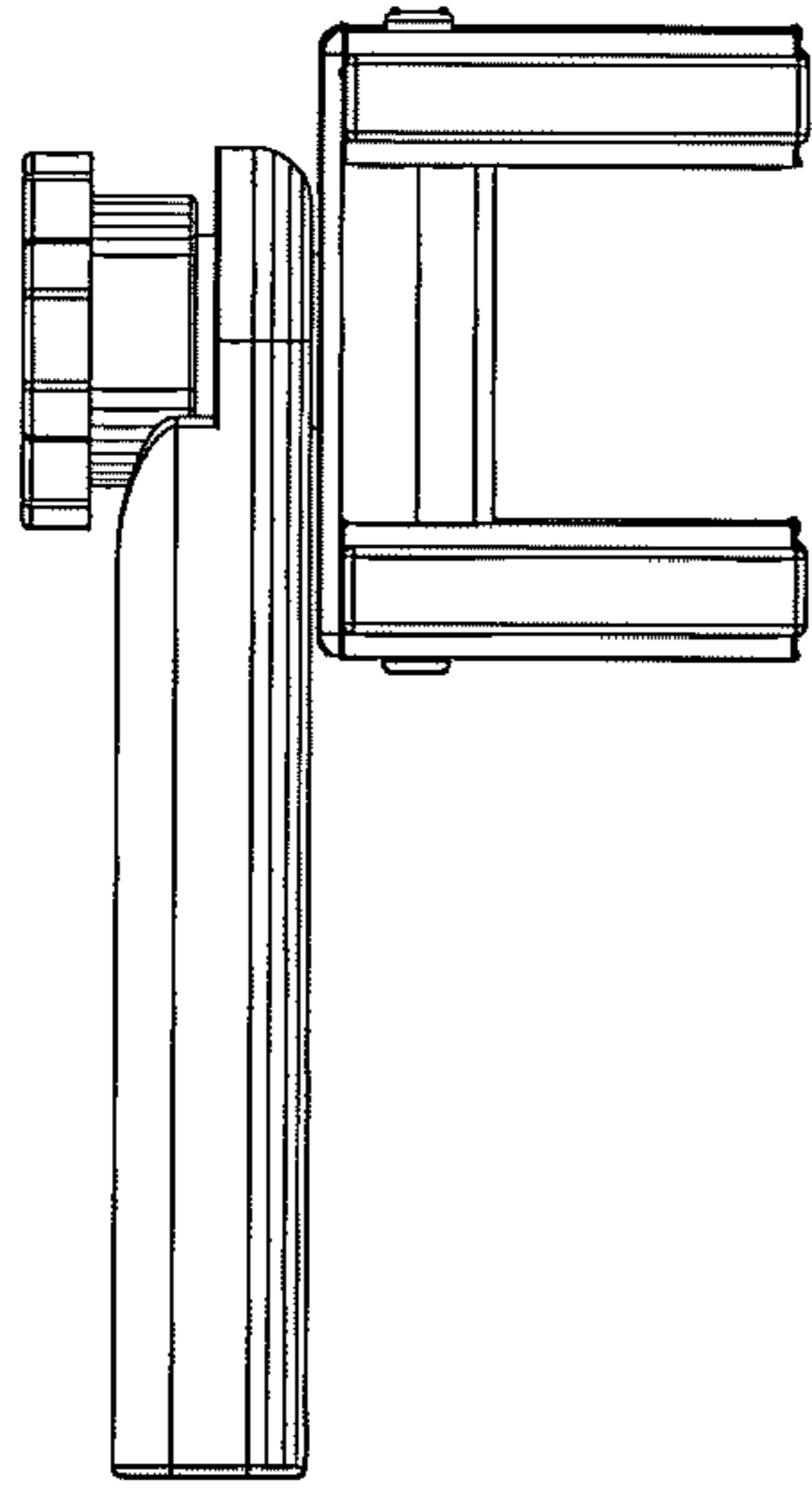


Fig. 4

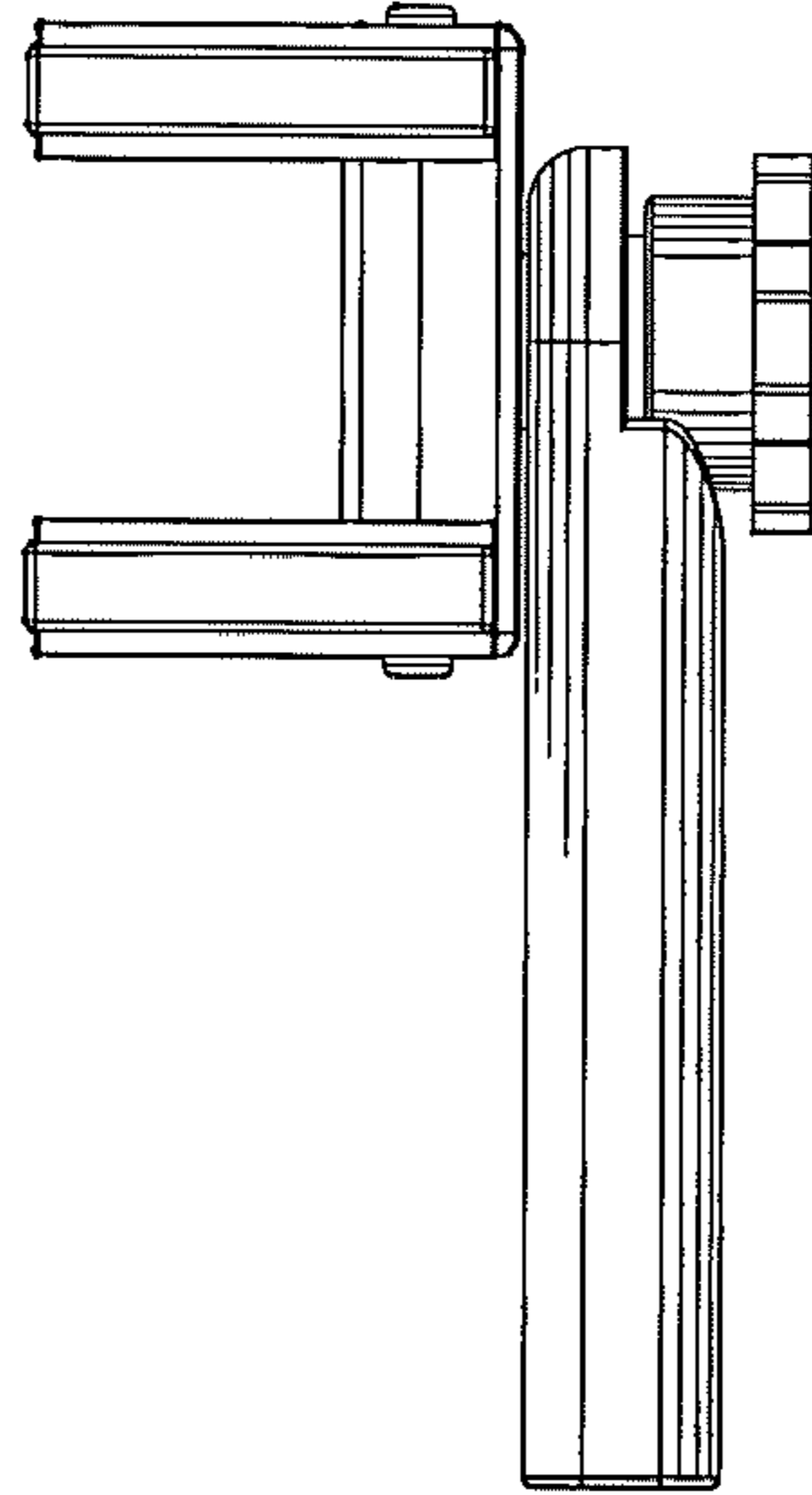


Fig. 5

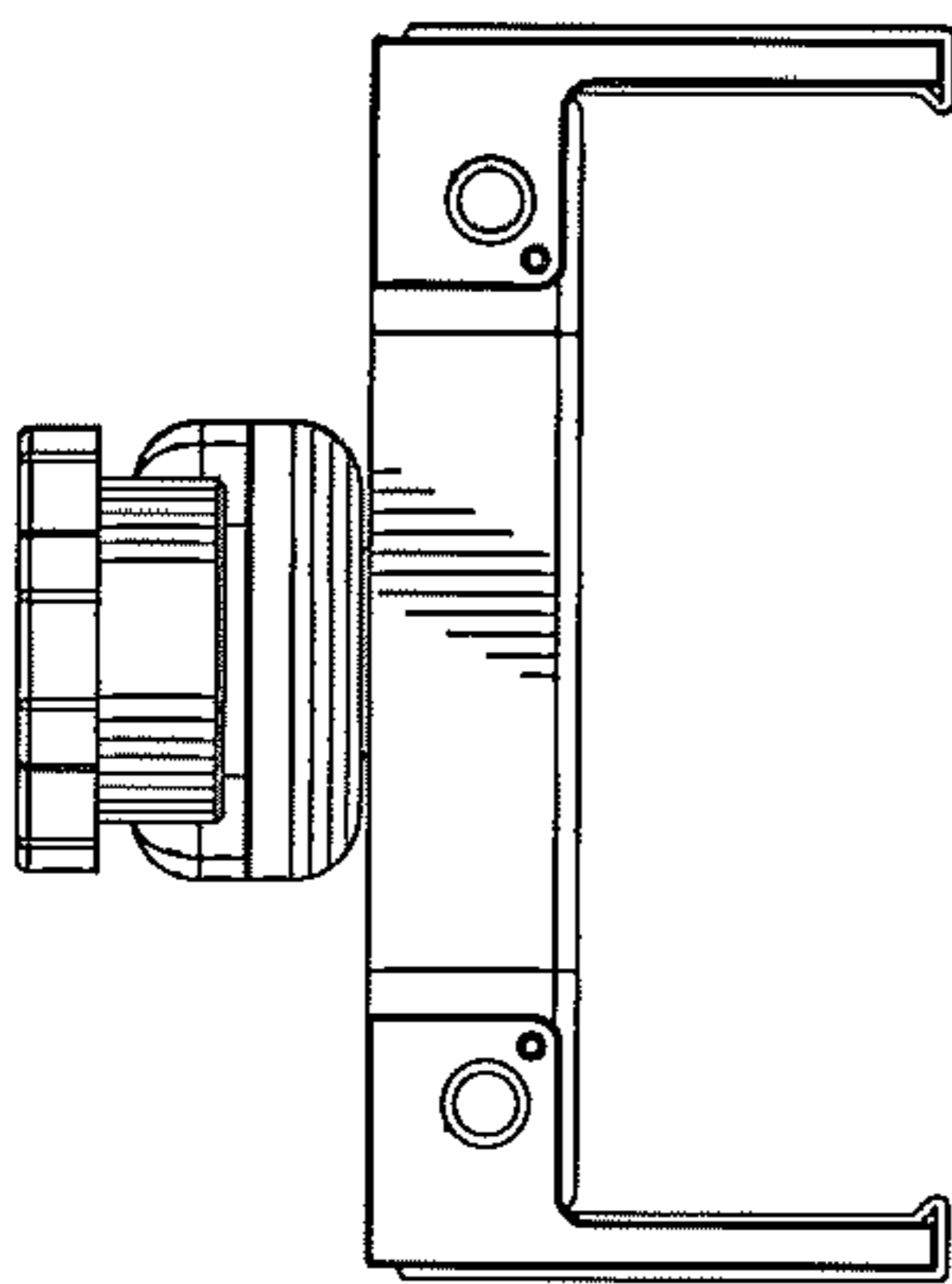


Fig. 6

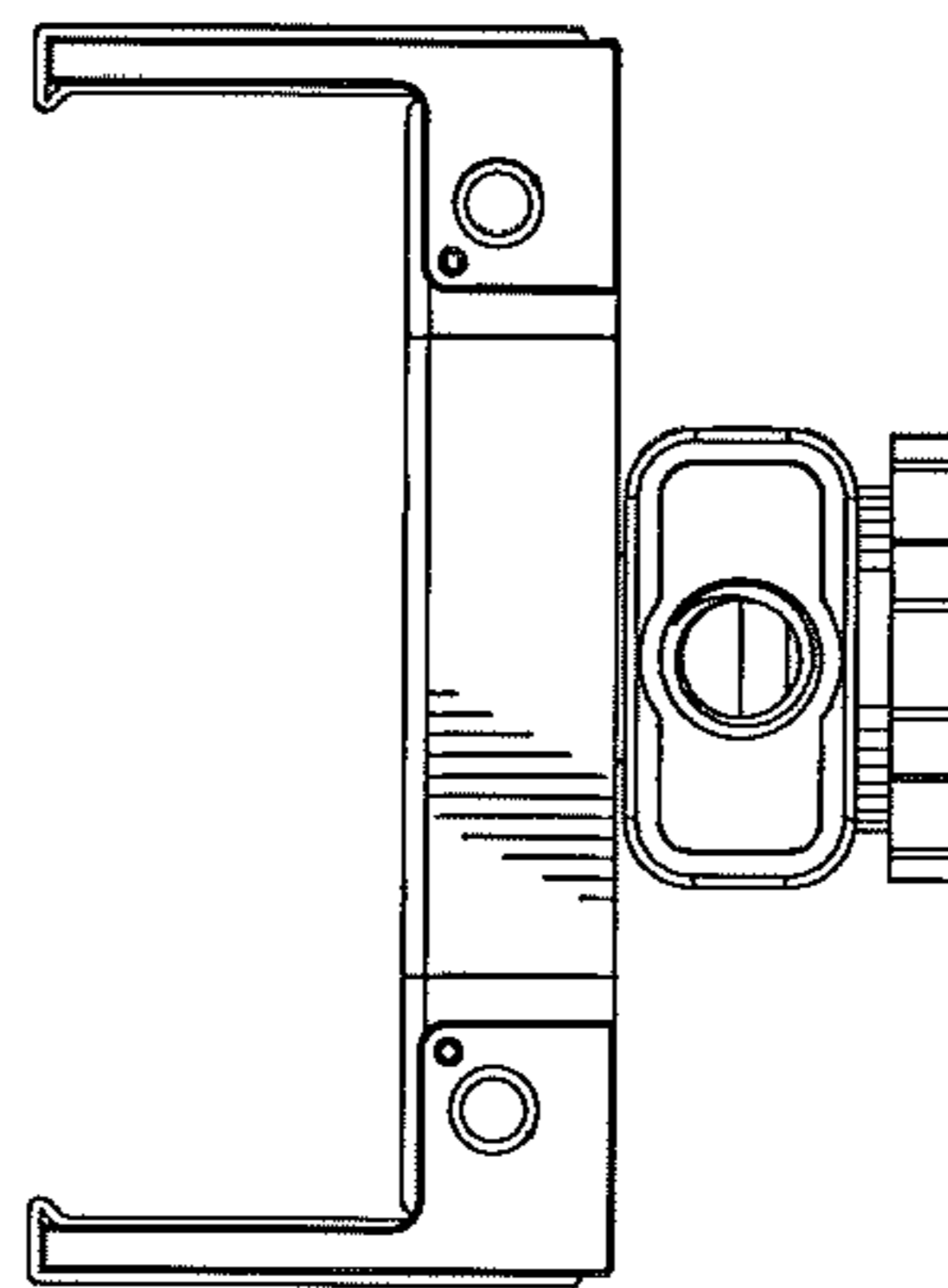


Fig. 7

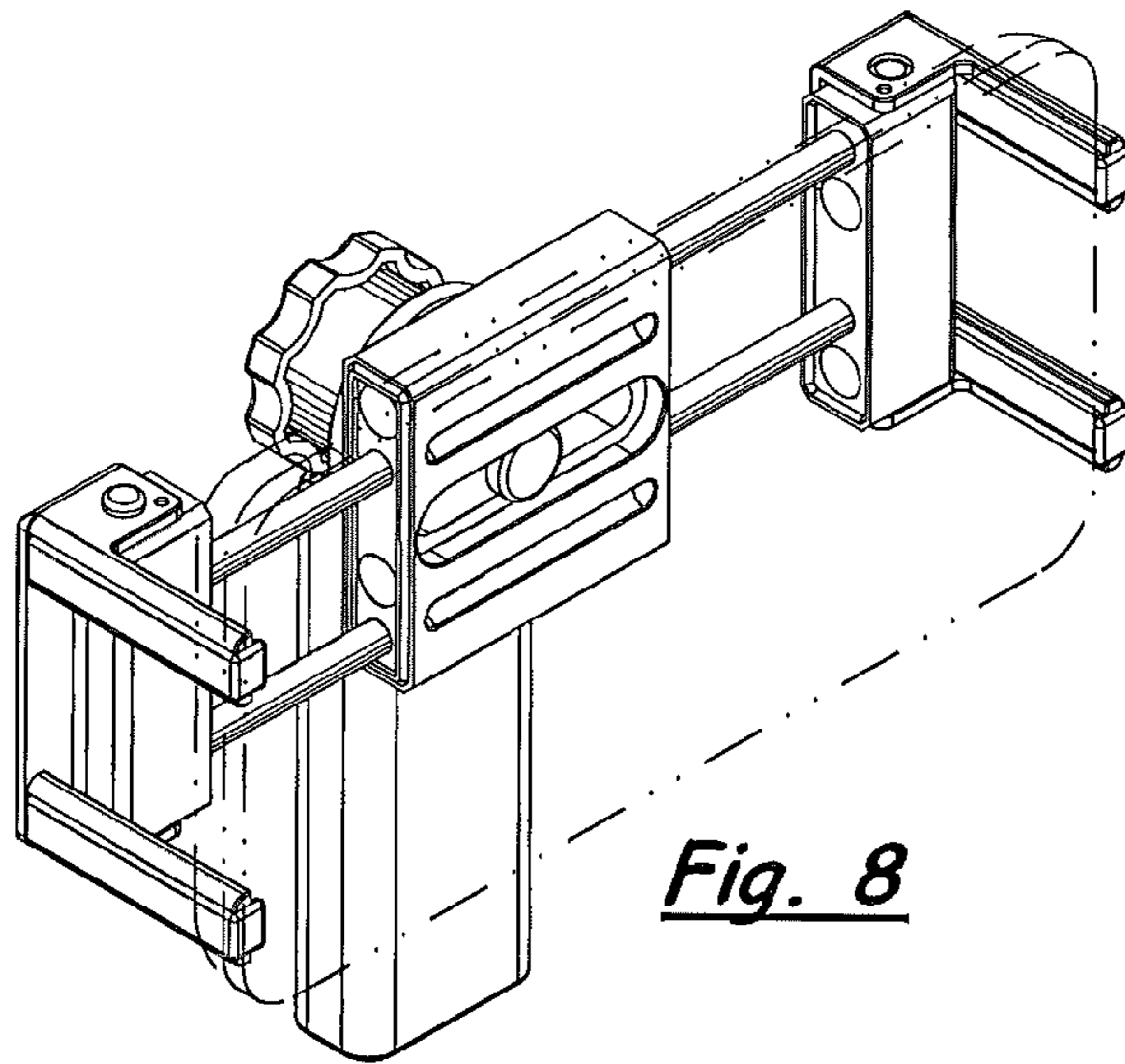


Fig. 8

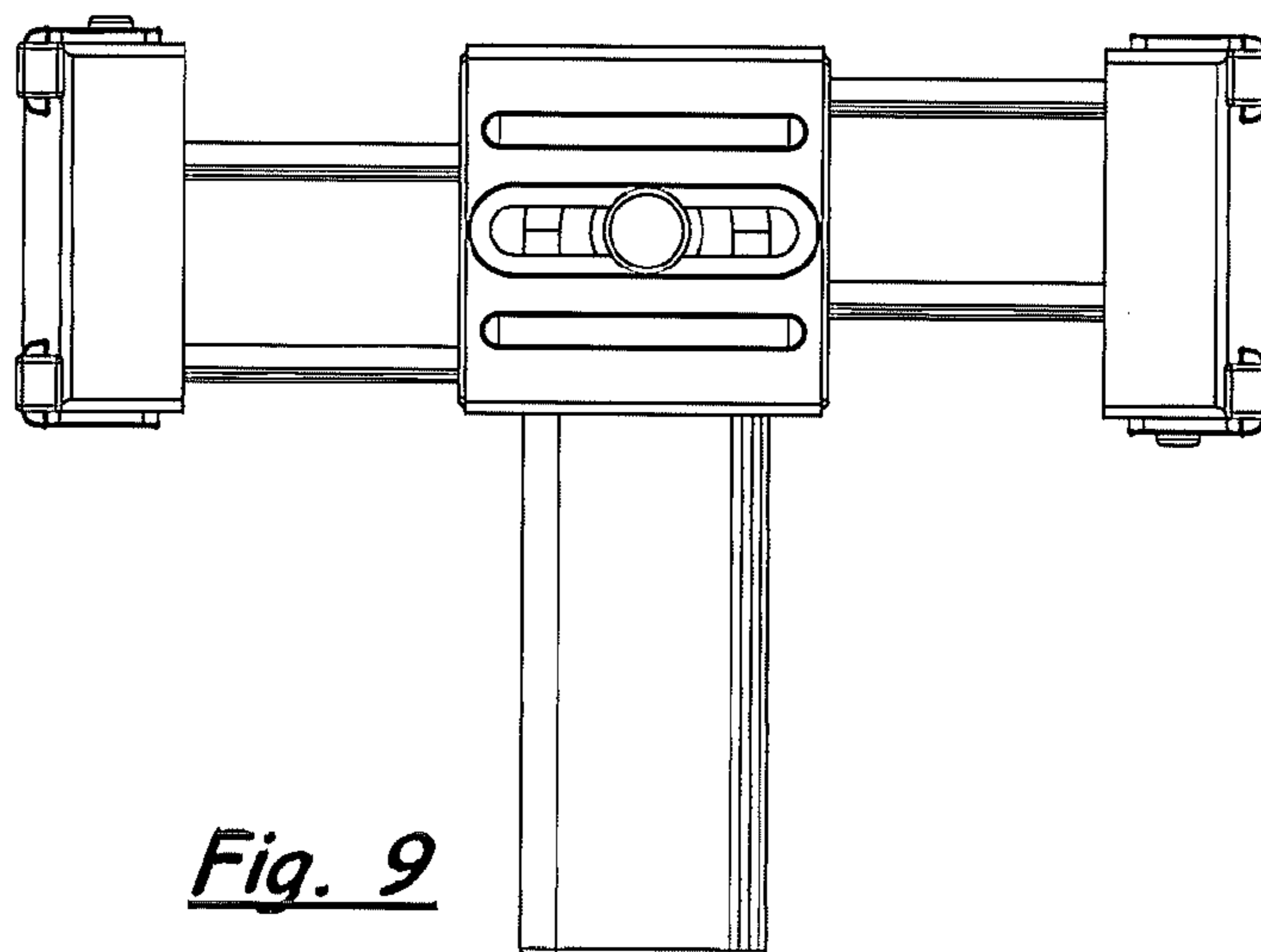


Fig. 9

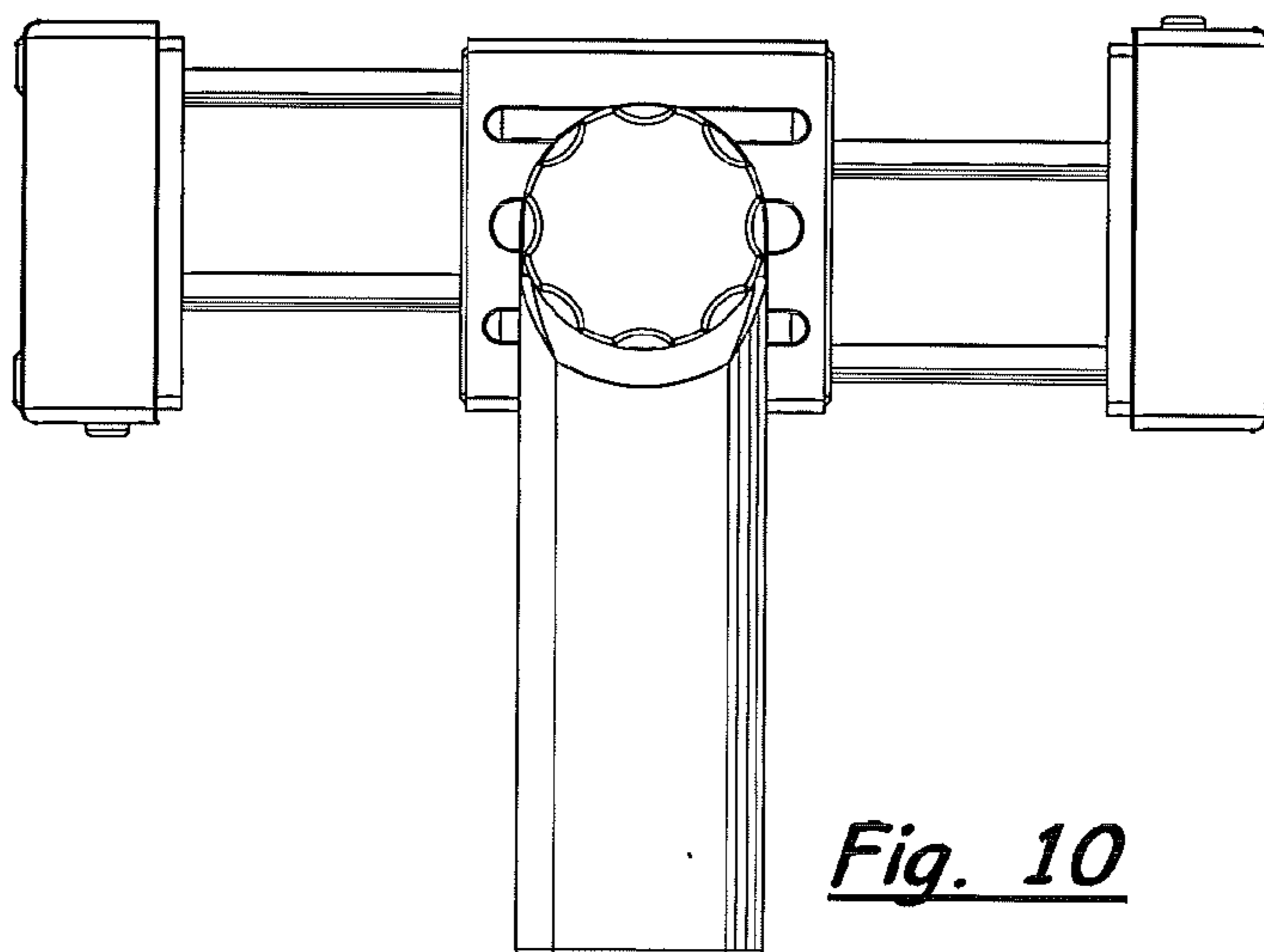


Fig. 10

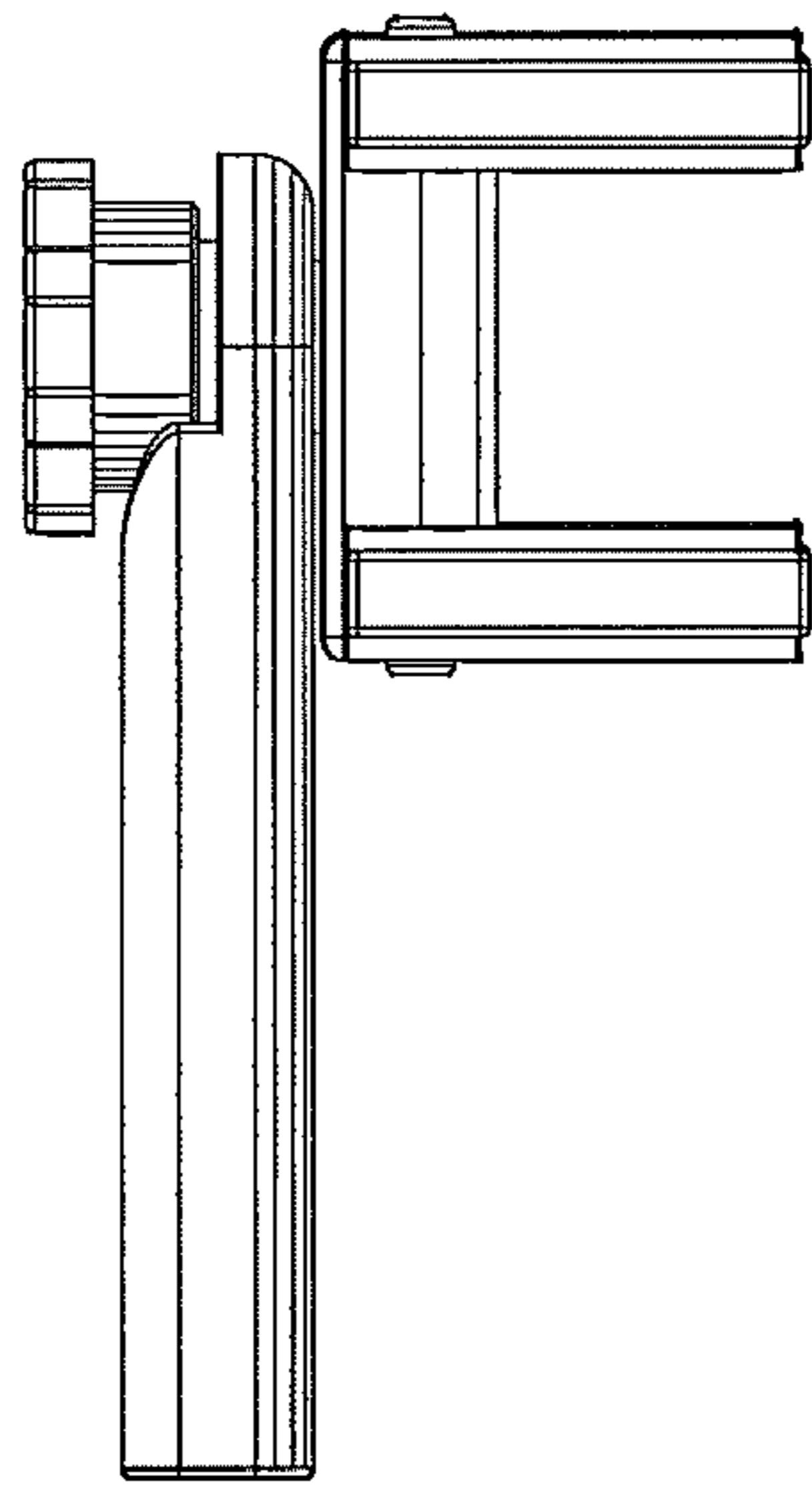


Fig. 11

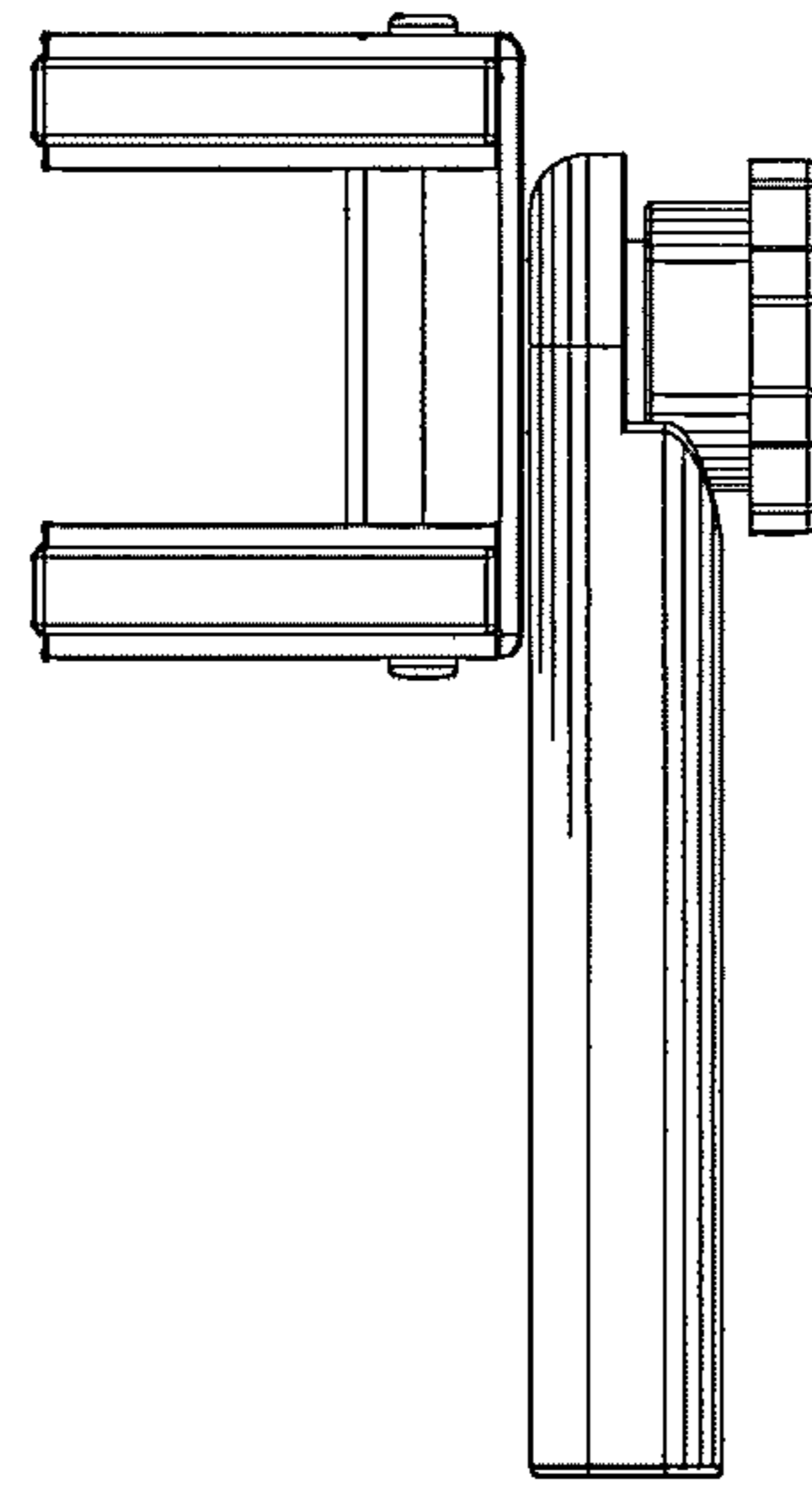


Fig. 12

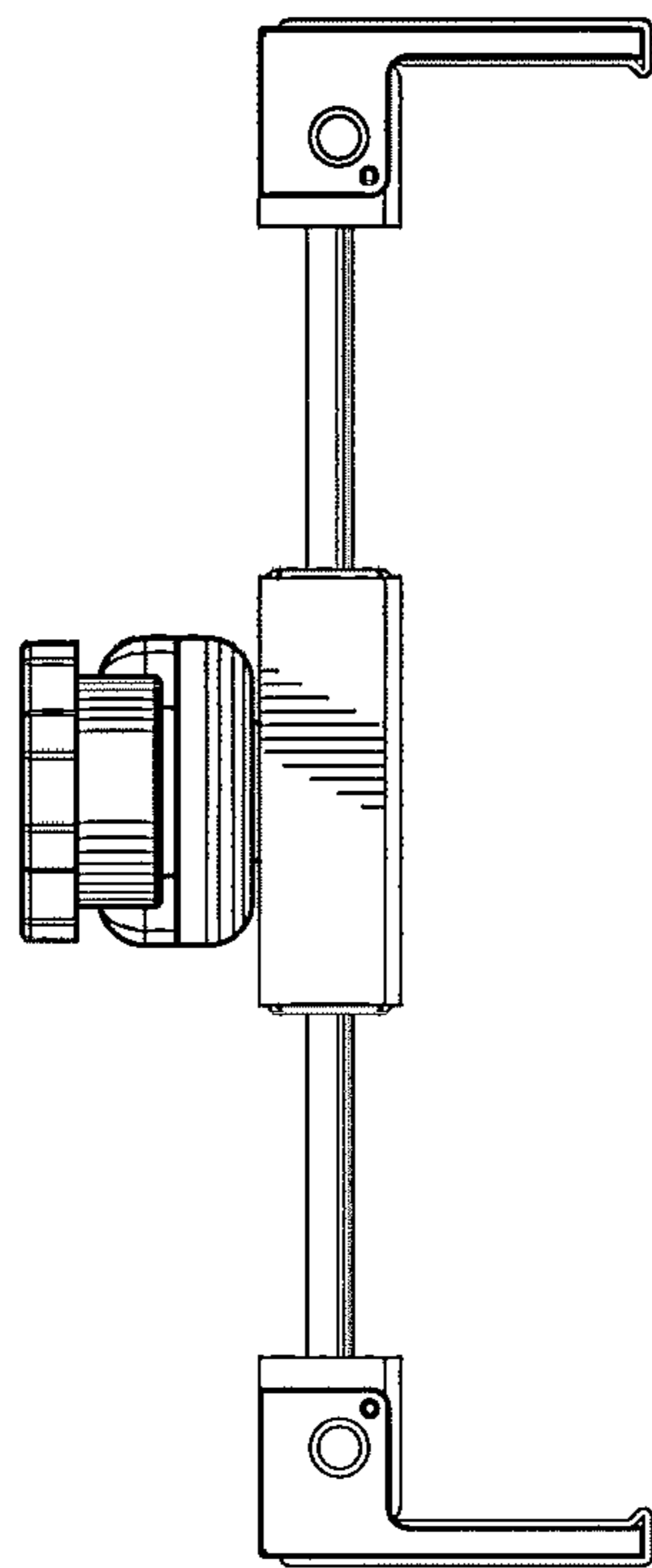


Fig. 13

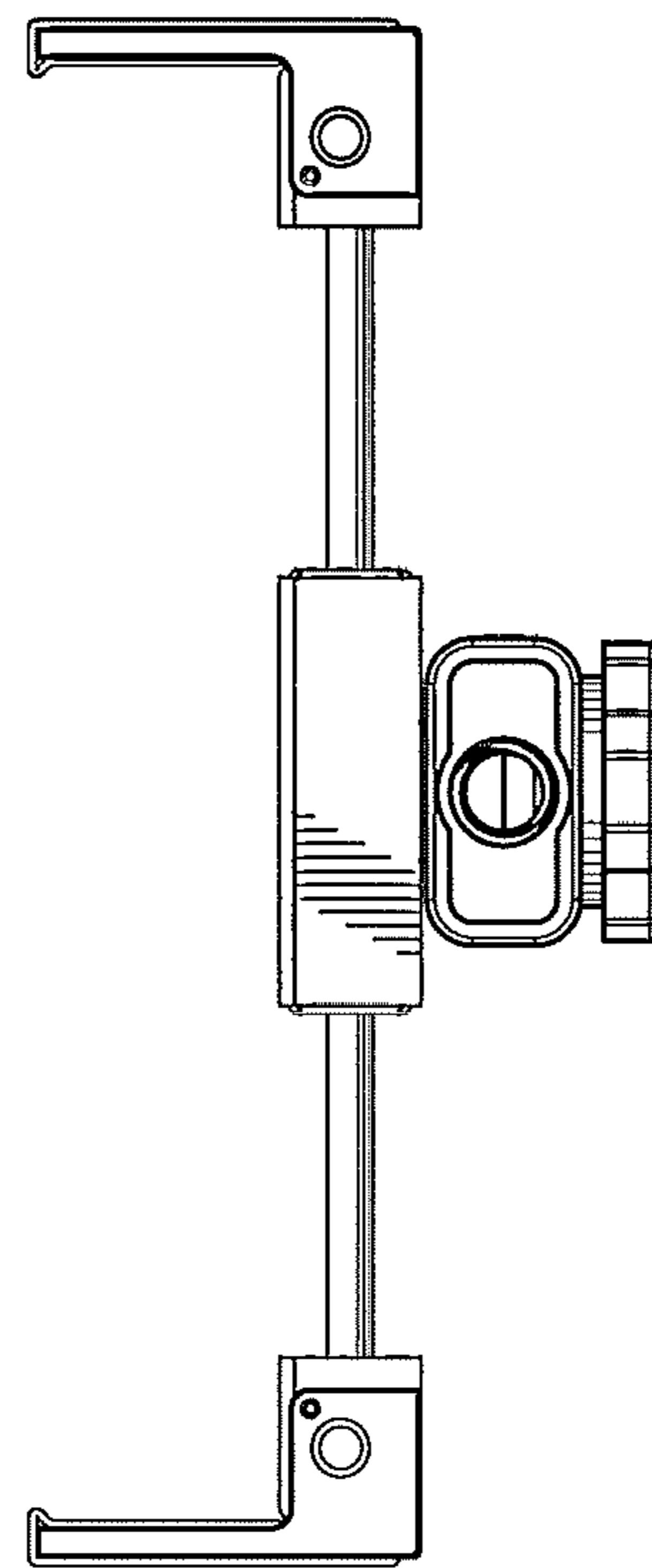


Fig. 14

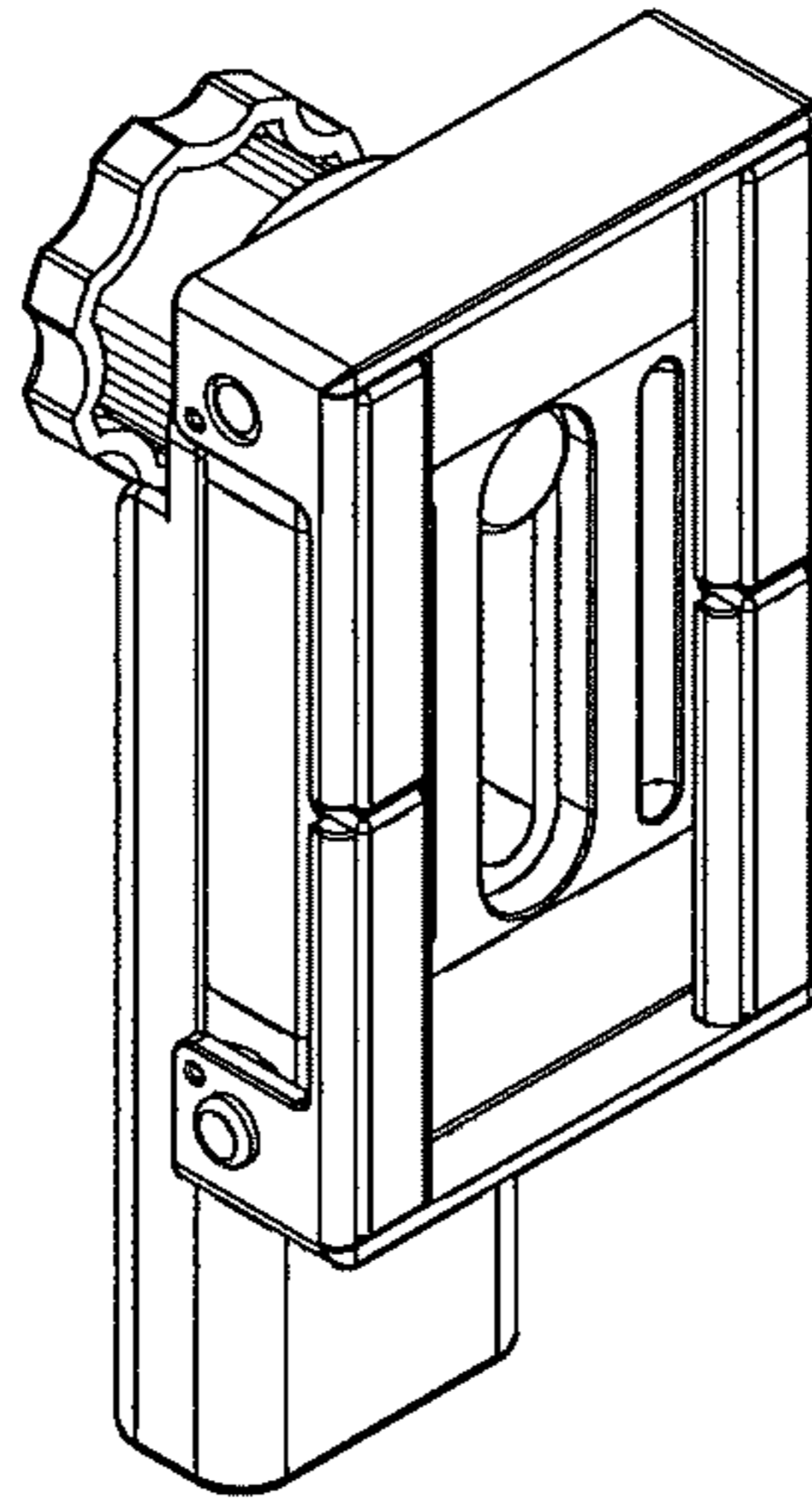


Fig. 15

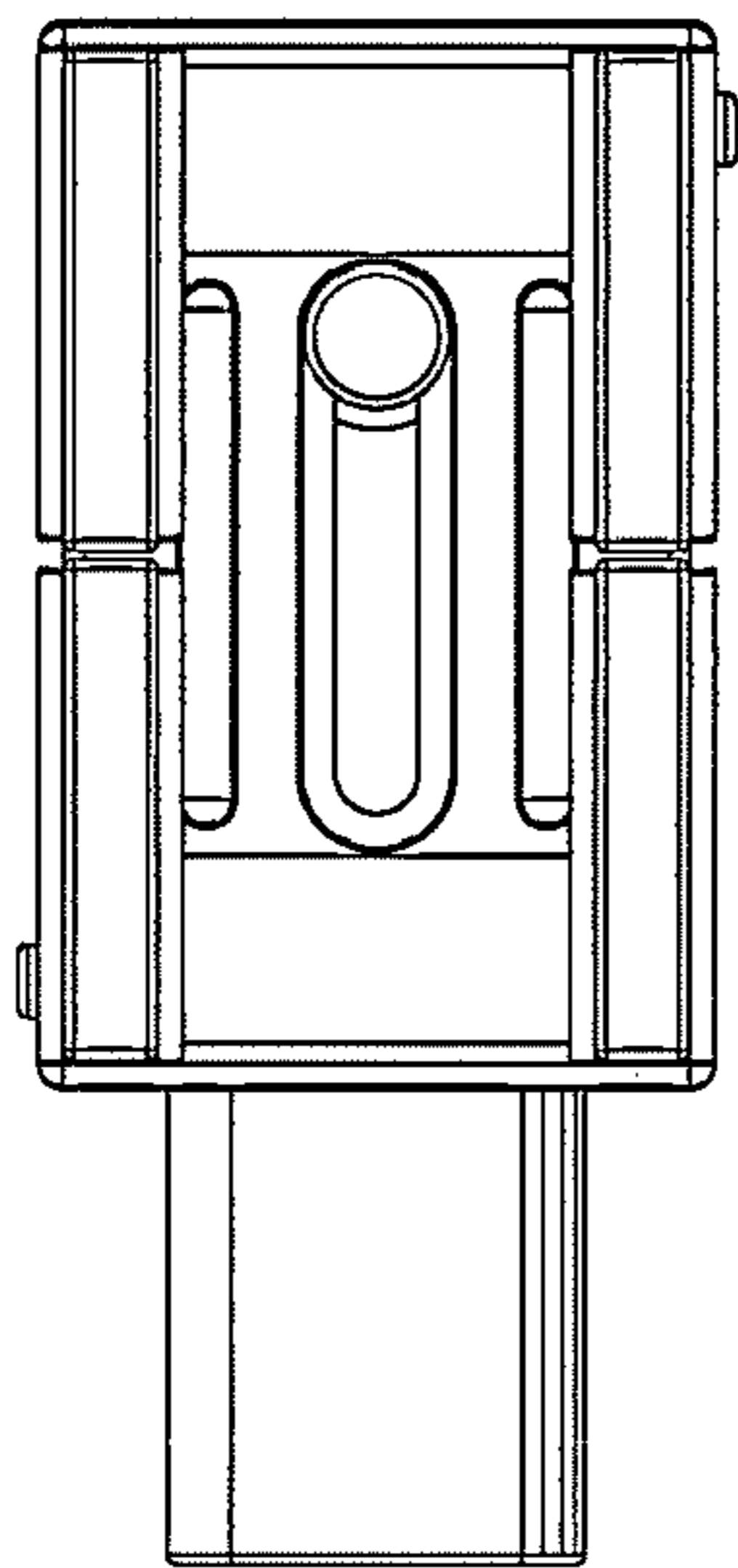


Fig. 16

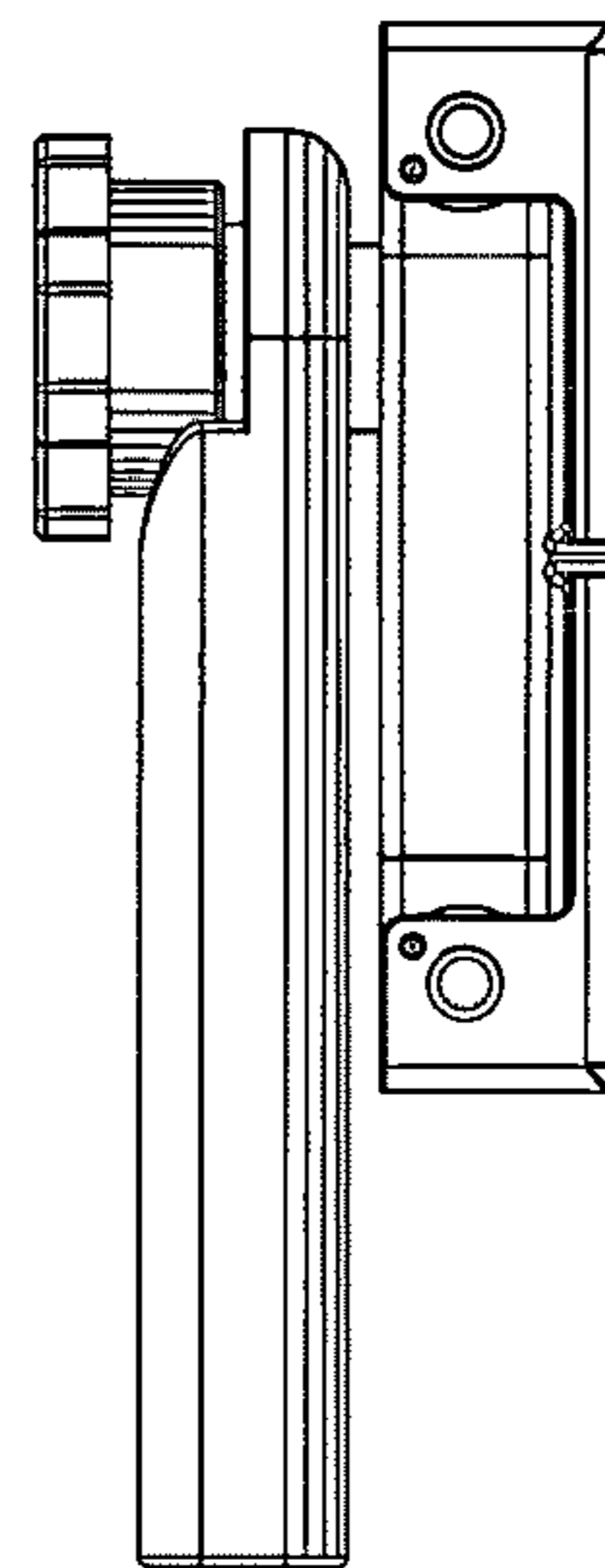


Fig. 17