



US00D684979S

(12) **United States Design Patent**  
**Chun**

(10) **Patent No.:** **US D684,979 S**  
(45) **Date of Patent:** **\*\* Jun. 25, 2013**

(54) **ELECTRONIC DEVICE HOLDER**

(71) Applicant: **James K. Chun**, Fremont, CA (US)

(72) Inventor: **James K. Chun**, Fremont, CA (US)

(\*\*) Term: **14 Years**

(21) Appl. No.: **29/432,619**

(22) Filed: **Sep. 18, 2012**

(51) **LOC (9) Cl.** ..... **08-07**

(52) **U.S. Cl.**  
USPC ..... **D14/447**

(58) **Field of Classification Search**

USPC ..... D14/432, 433, 434, 439, 440, 451,  
D14/452, 239, 217, 224.1, 251, 252, 253,  
D14/457, 458, 459, 460, 461; D6/406.1,  
D6/406.2, 406.3, 406.4, 406.5, 406.6;  
361/679.06, 679.21, 679.22, 679.24, 679.26,  
361/679.27, 679.28, 679.3, 679.55, 679.56,  
361/709; 248/917-924, 133, 136, 139, 150,  
248/176.1, 188.6

See application file for complete search history.

(56) **References Cited**

U.S. PATENT DOCUMENTS

D610,587 S *	2/2010	Bandringa	.....	D14/447
D620,941 S *	8/2010	Stacey et al.	.....	D14/447
D626,953 S *	11/2010	Wilson	.....	D14/252
D630,222 S *	1/2011	Lin	.....	D14/447
D646,315 S *	10/2011	Orf	.....	D16/242
D646,674 S *	10/2011	Liao	.....	D14/253
D650,774 S *	12/2011	Molter	.....	D14/239
D670,690 S *	11/2012	Daniel et al.	.....	D14/253
D673,032 S *	12/2012	Tak et al.	.....	D8/395
2011/0170246 A1 *	7/2011	Chu	.....	361/679.01

\* cited by examiner

Primary Examiner — Angela J Lee

(74) *Attorney, Agent, or Firm* — Dean A. Craine

(57) **CLAIM**

The ornamental design for an electronic device holder, as shown and described.

**DESCRIPTION**

FIG. 1 is a front, top perspective view of an electronic device holder shown in an upright, unfolded position holding an electronic device.

FIG. 2 is a rear, top perspective view of the electronic device holder shown in FIG. 1.

FIG. 3 is a rear, bottom perspective view of the electronic device holder shown in FIGS. 1 and 2 with the electronic device removed.

FIG. 4 is a left side elevational view of the invention shown in FIG. 1.

FIG. 5 is a front elevation view of the invention shown in FIG. 1.

FIG. 6 is a rear elevational view of the invention shown in FIG. 1.

FIG. 7 is a top plan view of the invention shown in FIG. 1.

FIG. 8 is a bottom plan view of the invention shown in FIG. 1.

FIG. 9 is a front, top perspective view of the electronic device holder shown in a folded position.

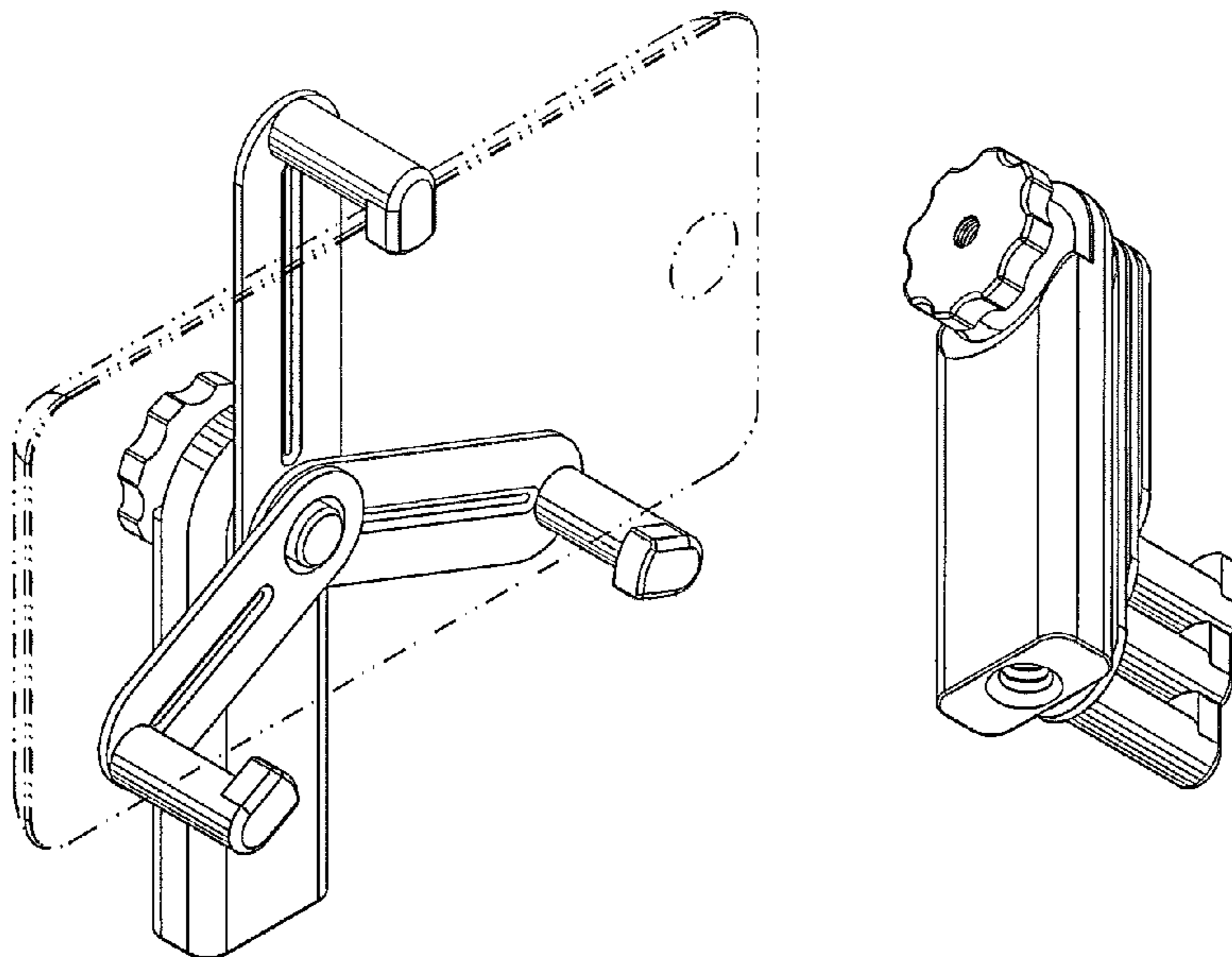
FIG. 10 is a rear, bottom perspective view of the electronic device holder shown in FIG. 9.

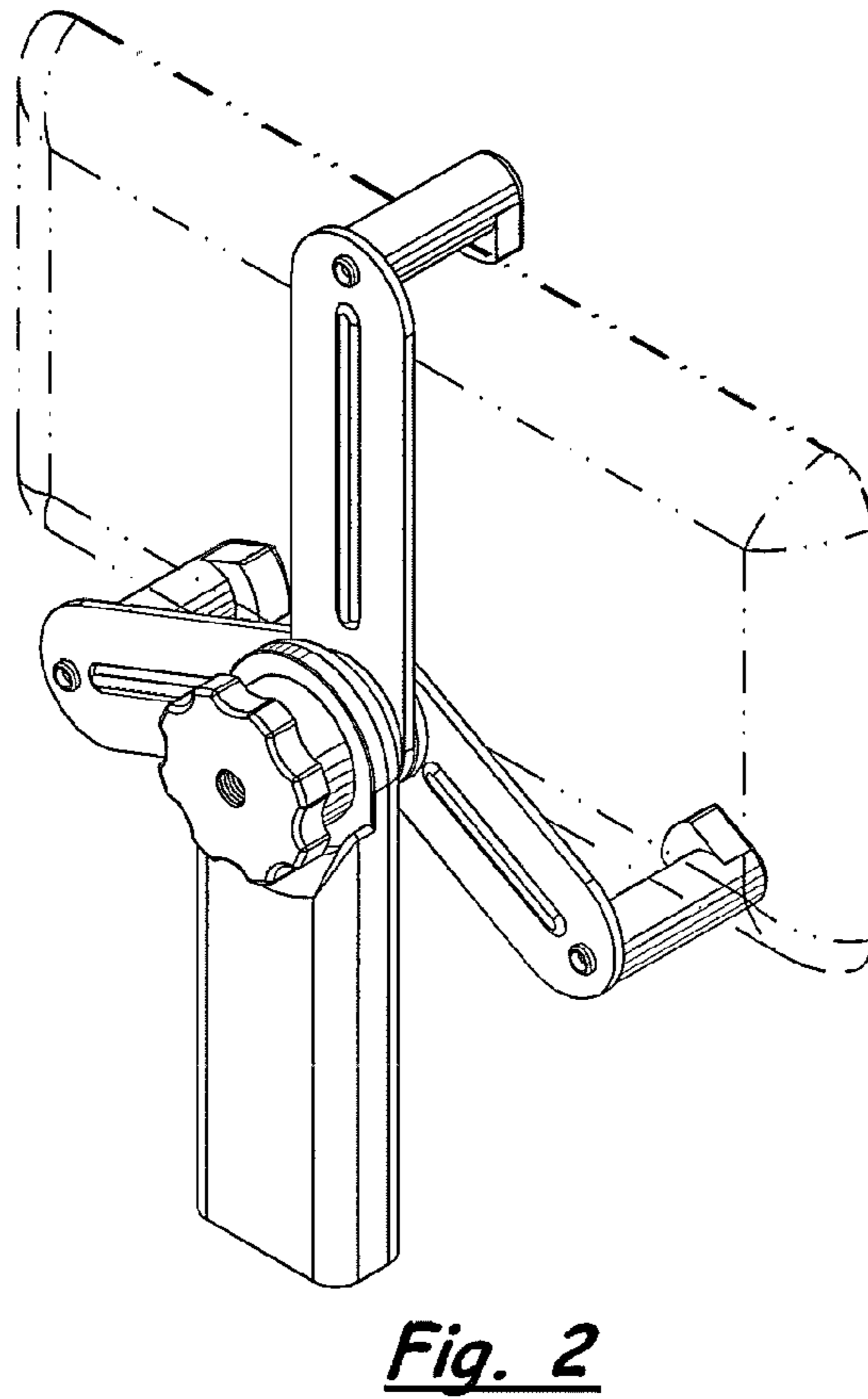
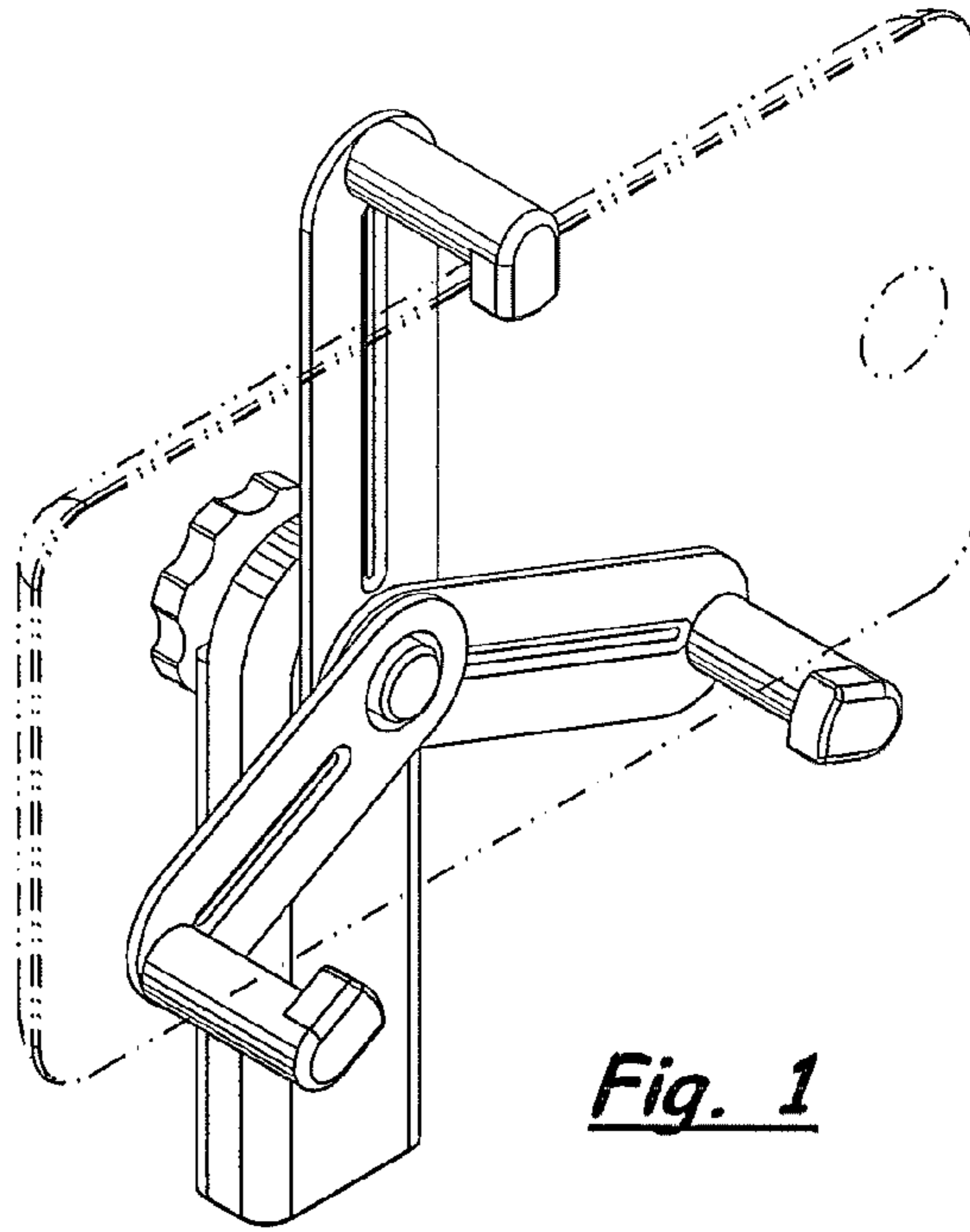
FIG. 11 is a left side elevational view of the invention shown in FIG. 9; and,

FIG. 12 is a front elevation view of the invention shown in FIG. 9.

The broken lines shown in the drawings illustrate unclaimed portions of an electronic device used with the invention and form no part of the claimed design.

**1 Claim, 4 Drawing Sheets**





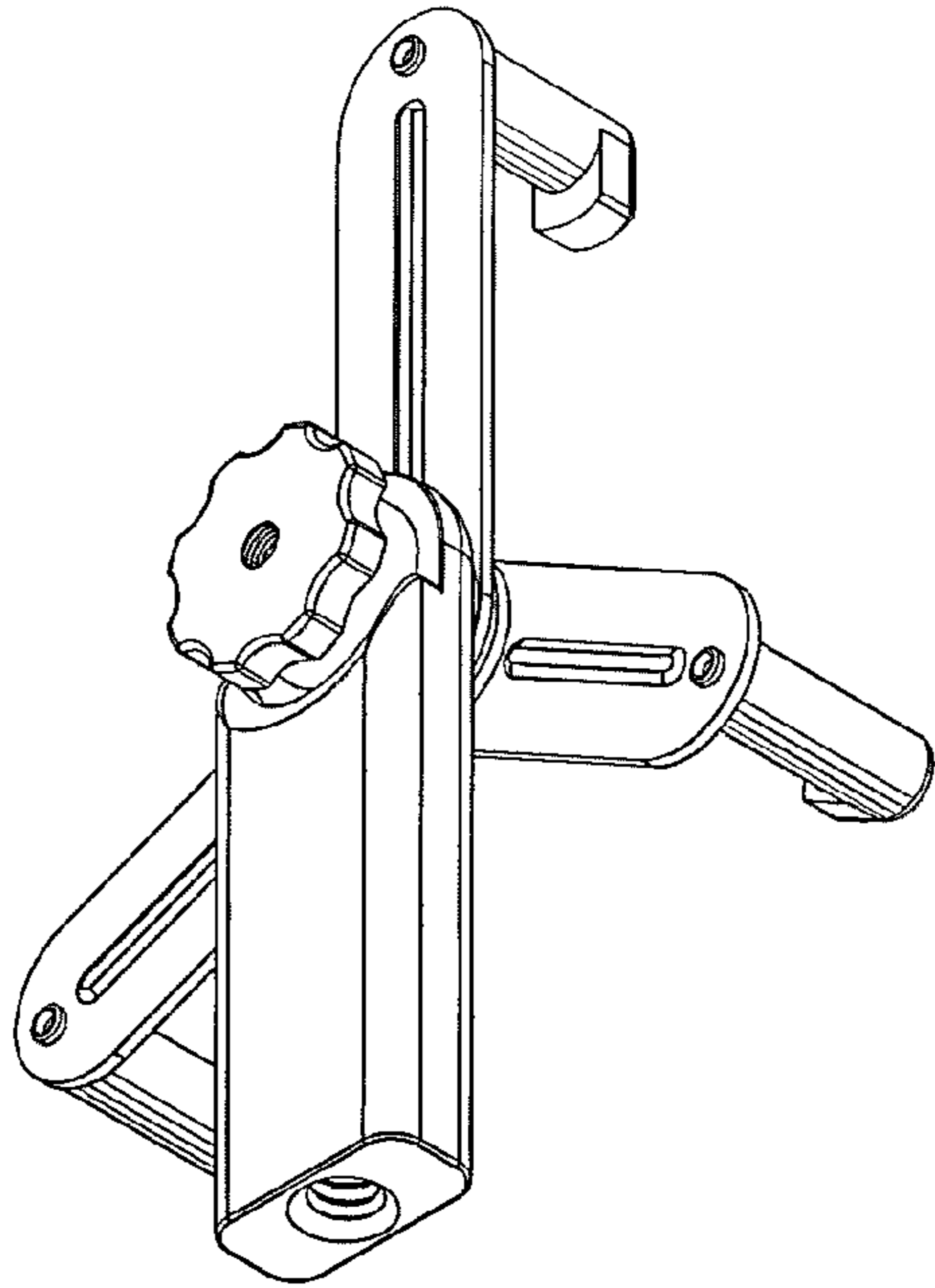


Fig. 3

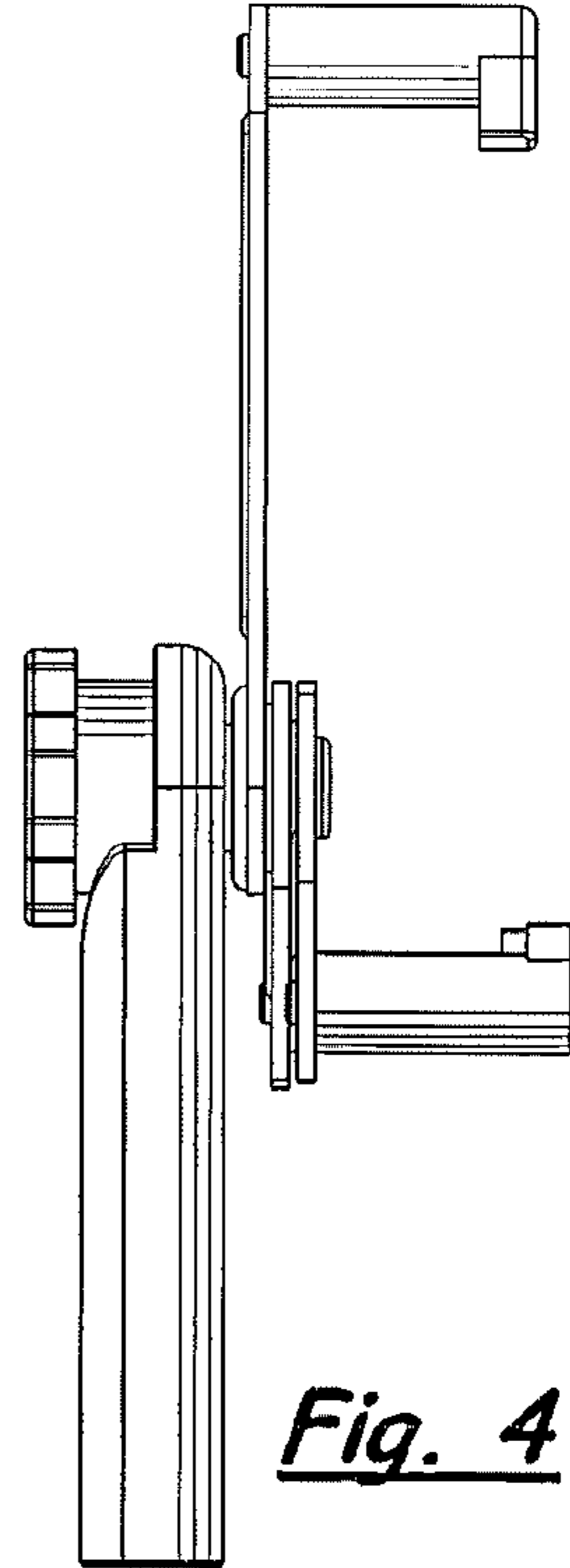


Fig. 4

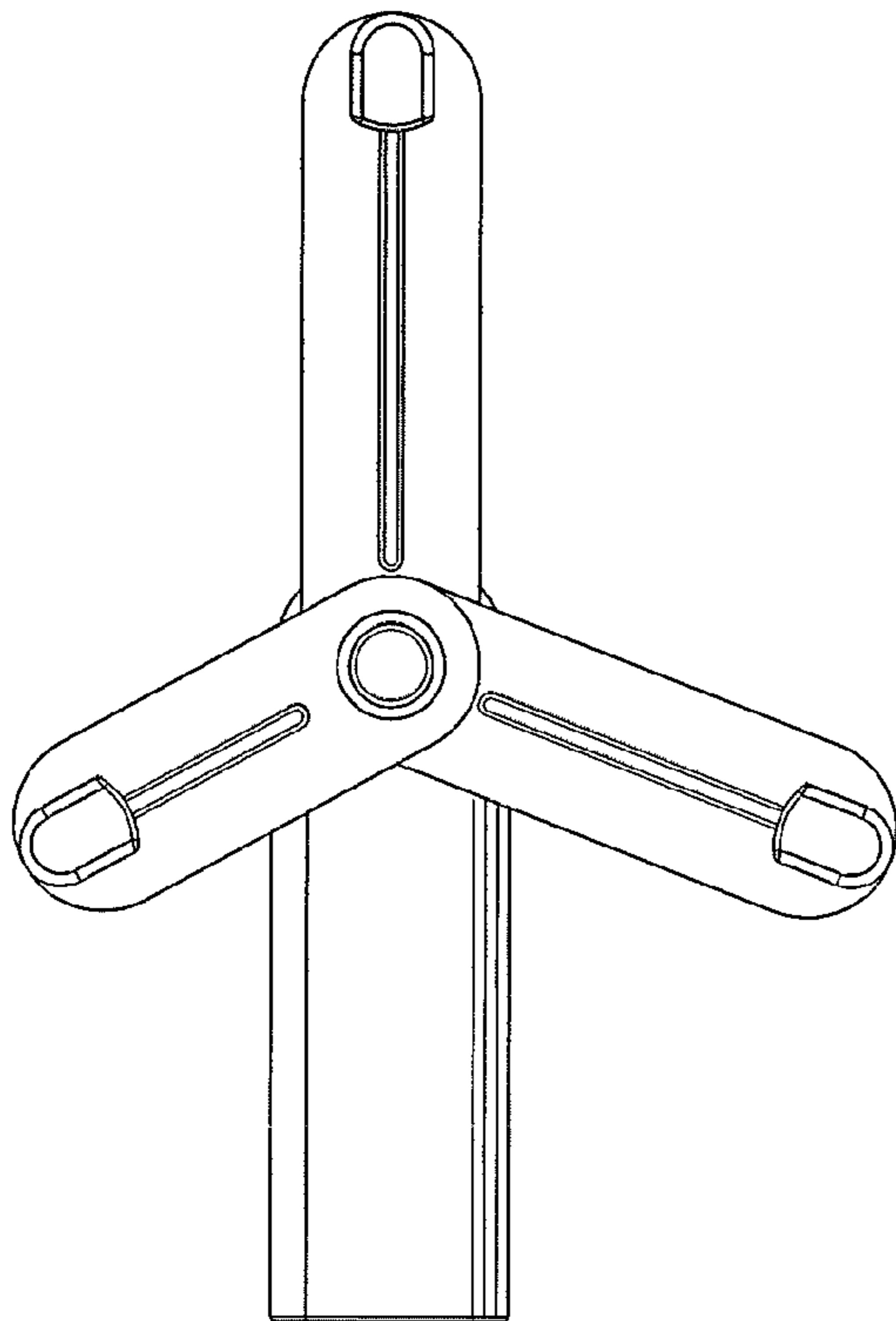


Fig. 5

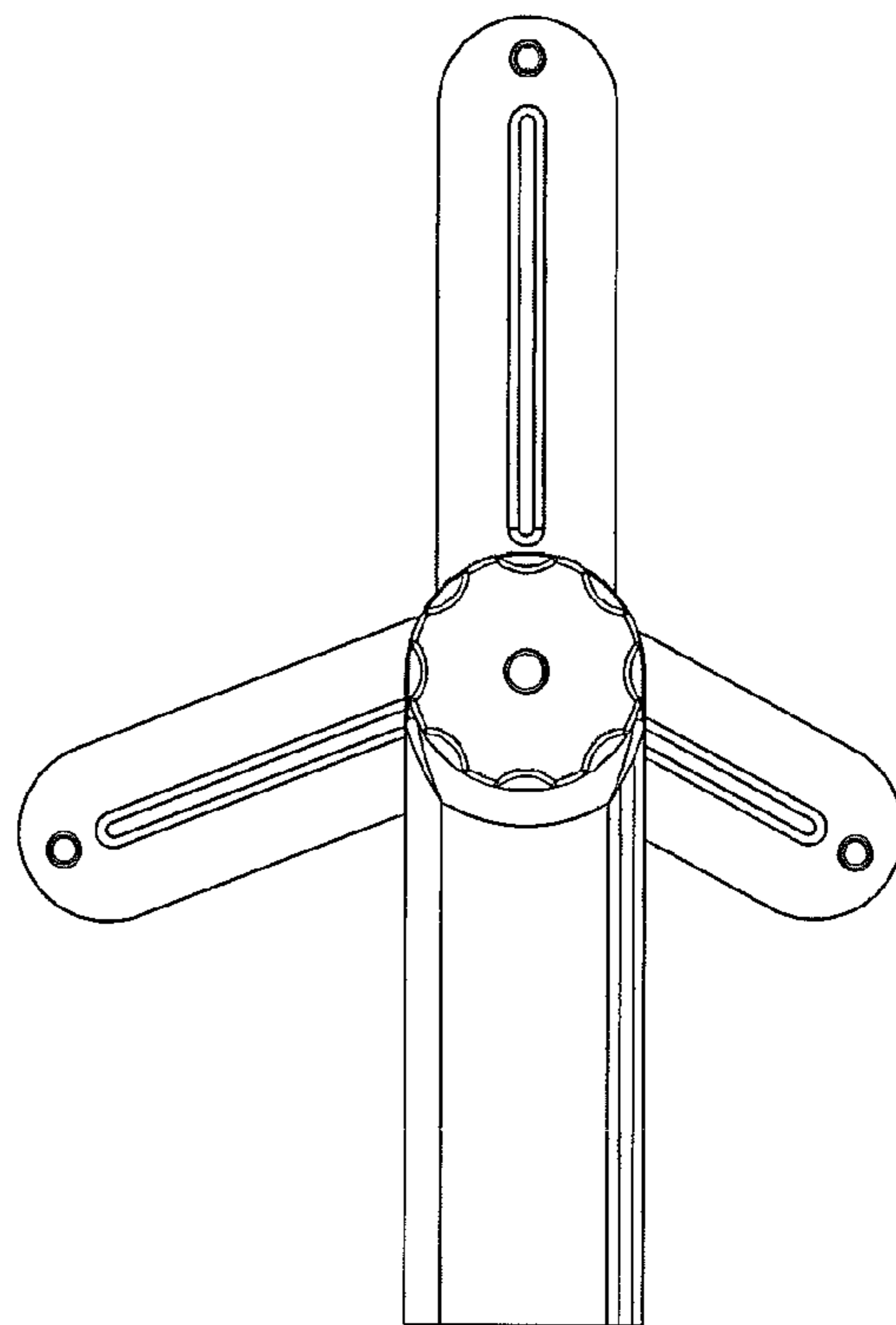


Fig. 6

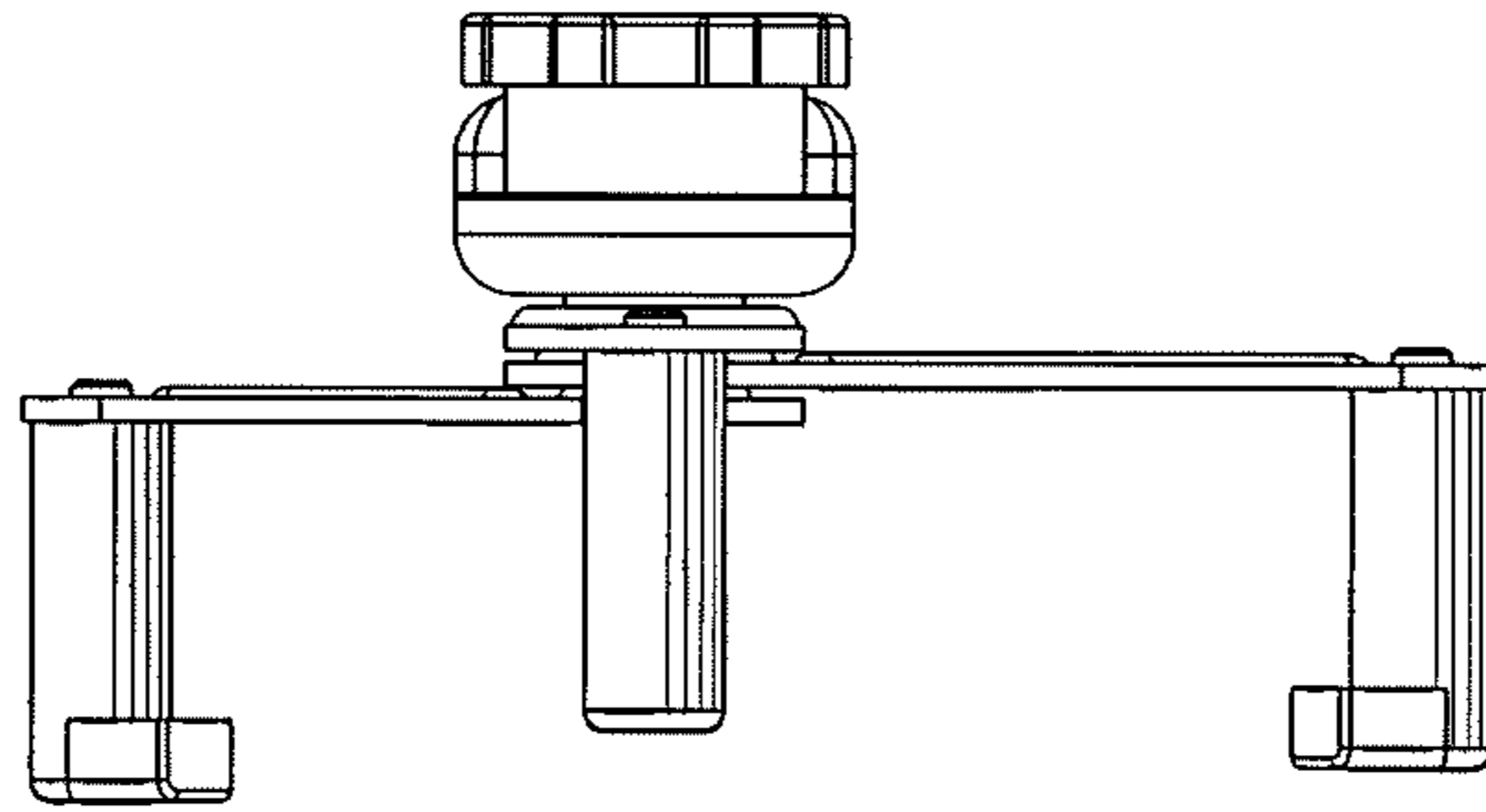


Fig. 7

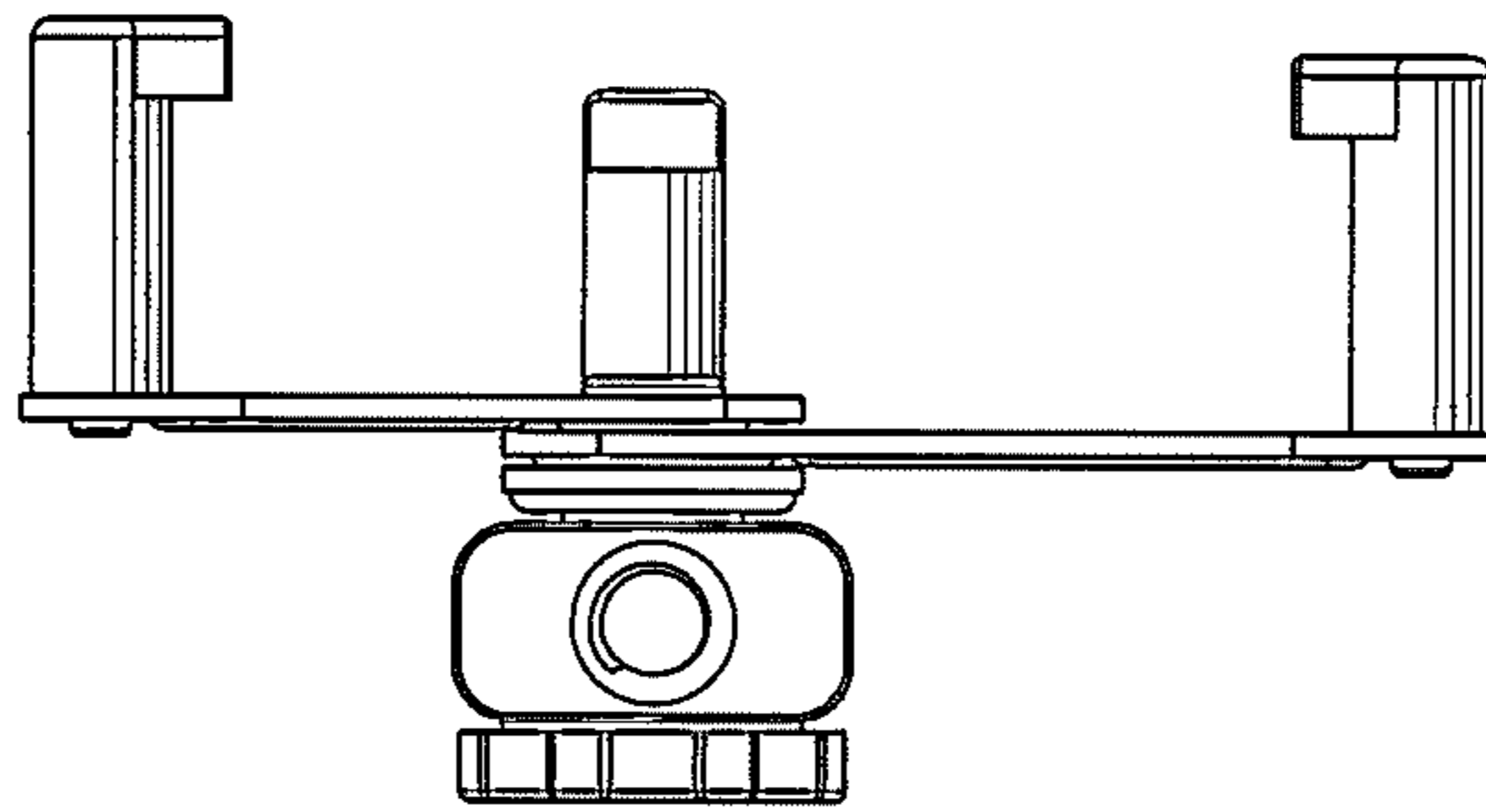


Fig. 8

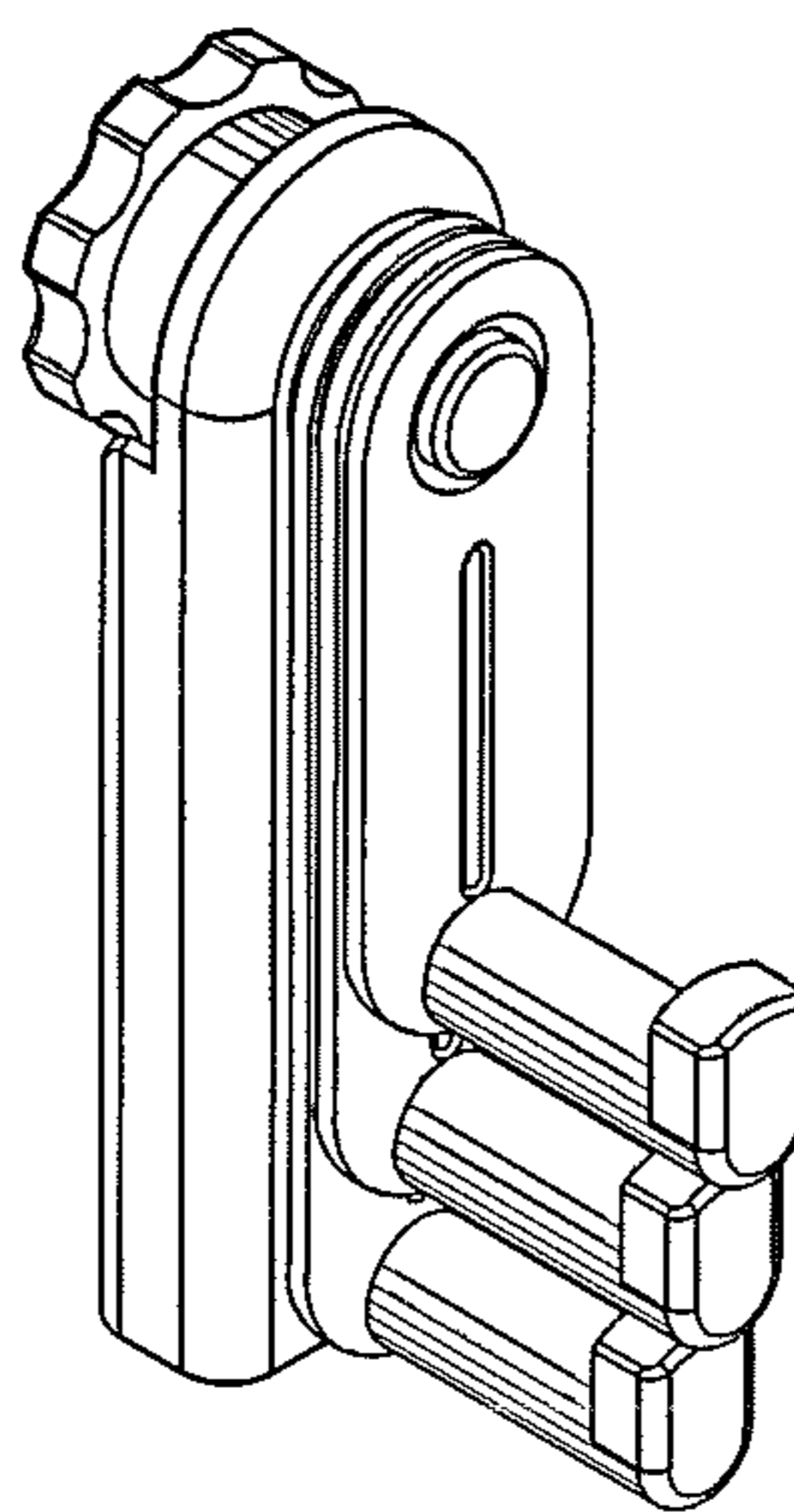


Fig. 9

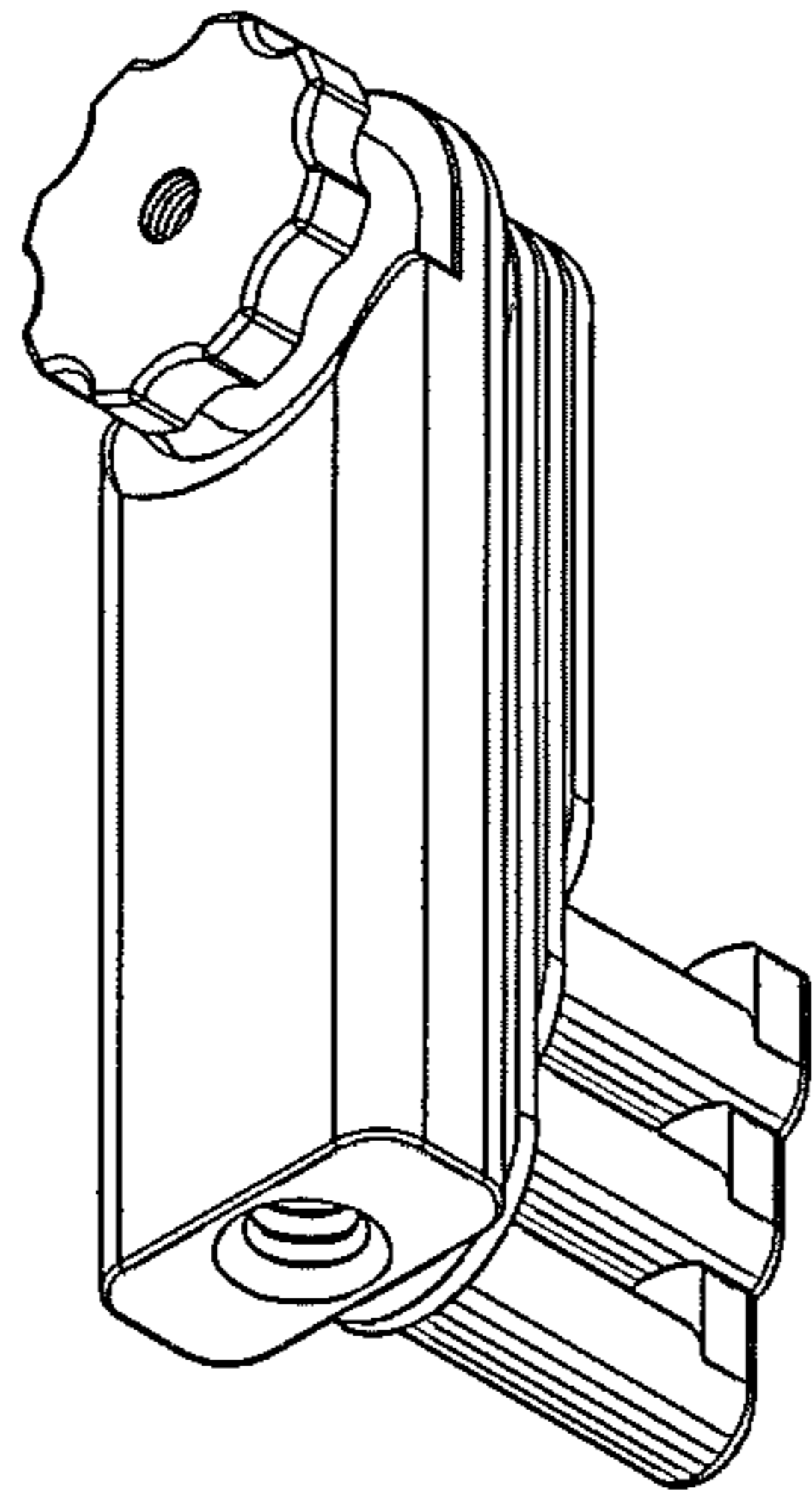


Fig. 10

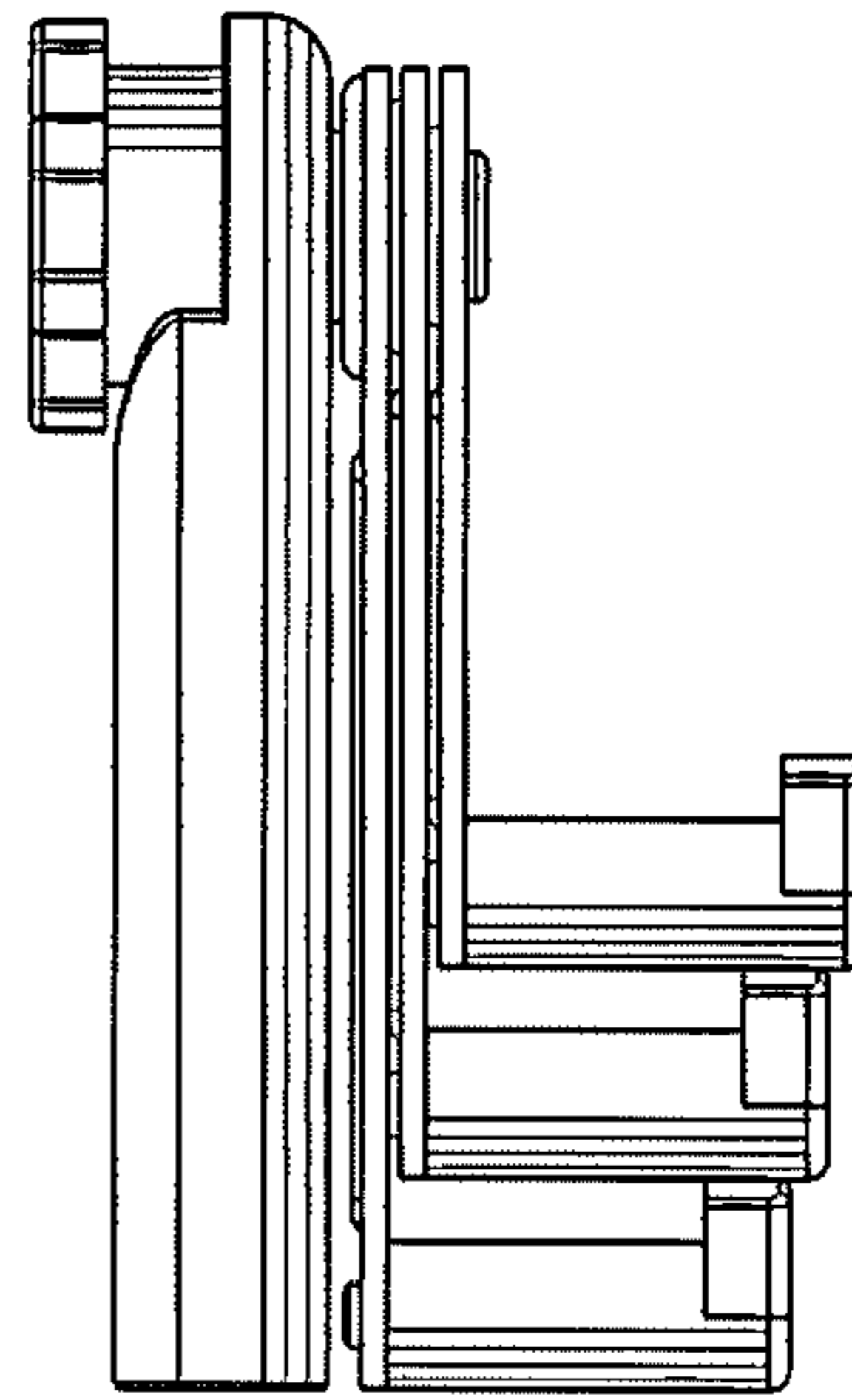


Fig. 11

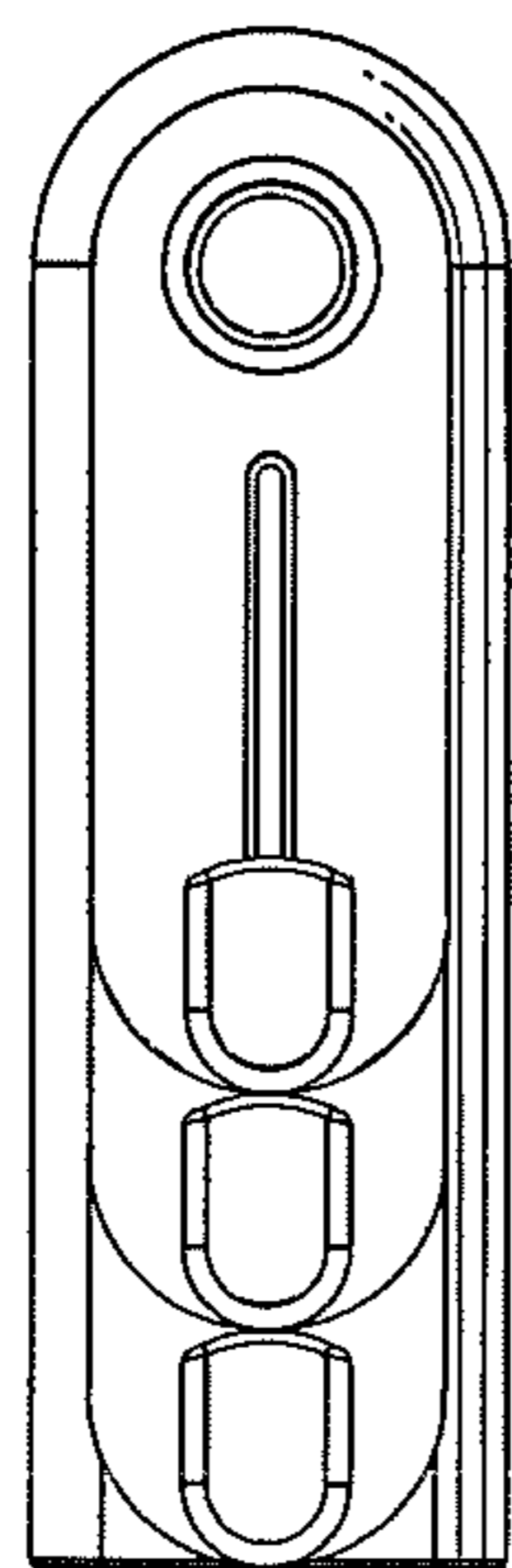


Fig. 12