



US00D684978S

(12) **United States Design Patent**  
**Phillips et al.**

(10) **Patent No.:** **US D684,978 S**  
(45) **Date of Patent:** **\*\* Jun. 25, 2013**

- (54) **ELECTRONIC DEVICE CASE**
- (75) Inventors: **Alison Phillips**, Toronto (CA); **Todd Andrew Wood**, Toronto (CA); **Anders Fahrendorff**, Ottawa (CA); **Dustin Jonathan Smith**, Waterloo (CA); **Caitlin Curran-Blaney**, Toronto (CA)
- (73) Assignee: **Research In Motion Limited**, Waterloo, Ontario (CA)
- (\*\*) Term: **14 Years**
- (21) Appl. No.: **29/398,082**
- (22) Filed: **Jul. 26, 2011**
- (51) **LOC (9) Cl.** ..... **14-02**
- (52) **U.S. Cl.**  
USPC ..... **D14/440**
- (58) **Field of Classification Search**  
USPC ..... D14/250, 251, 253, 240, 217, 496, D14/440, 203.3, 203.4, 203.5, 203.8; D3/218, D3/215, 201; 220/4.02; 248/309.1; 361/679.56, 361/683, 679.09; 379/426, 433.11, 455; 455/575.1, 575.8; 190/100; 206/305, 320; 345/173  
See application file for complete search history.

D654,069	S *	2/2012	Kwon et al.	.....	D14/250
8,132,670	B1 *	3/2012	Chen	.....	206/320
D659,139	S *	5/2012	Gengler	.....	D14/392
8,173,893	B2 *	5/2012	Huang	.....	136/251
D662,503	S *	6/2012	Akana et al.	.....	D14/439
D665,809	S *	8/2012	Wang et al.	.....	D14/439
8,245,843	B1 *	8/2012	Wu	.....	206/320
D670,293	S *	11/2012	Shimizu et al.	.....	D14/440
D671,114	S *	11/2012	Akana et al.	.....	D14/341
D672,353	S *	12/2012	Liu	.....	D14/440
D672,781	S *	12/2012	Lu	.....	D14/440
D673,158	S *	12/2012	Yang et al.	.....	D14/440
D674,799	S *	1/2013	Kim	.....	D14/440
D676,050	S *	2/2013	Sanz	.....	D14/440
2002/0070132	A1 *	6/2002	Onmori et al.	.....	206/232
2002/0088918	A1 *	7/2002	Uto et al.	.....	248/688
2010/0289390	A1 *	11/2010	Kenney	.....	312/223.1

\* cited by examiner

*Primary Examiner* — Cynthia Underwood

(57) **CLAIM**  
We claim the ornamental design for an electronic device case, as shown and described.

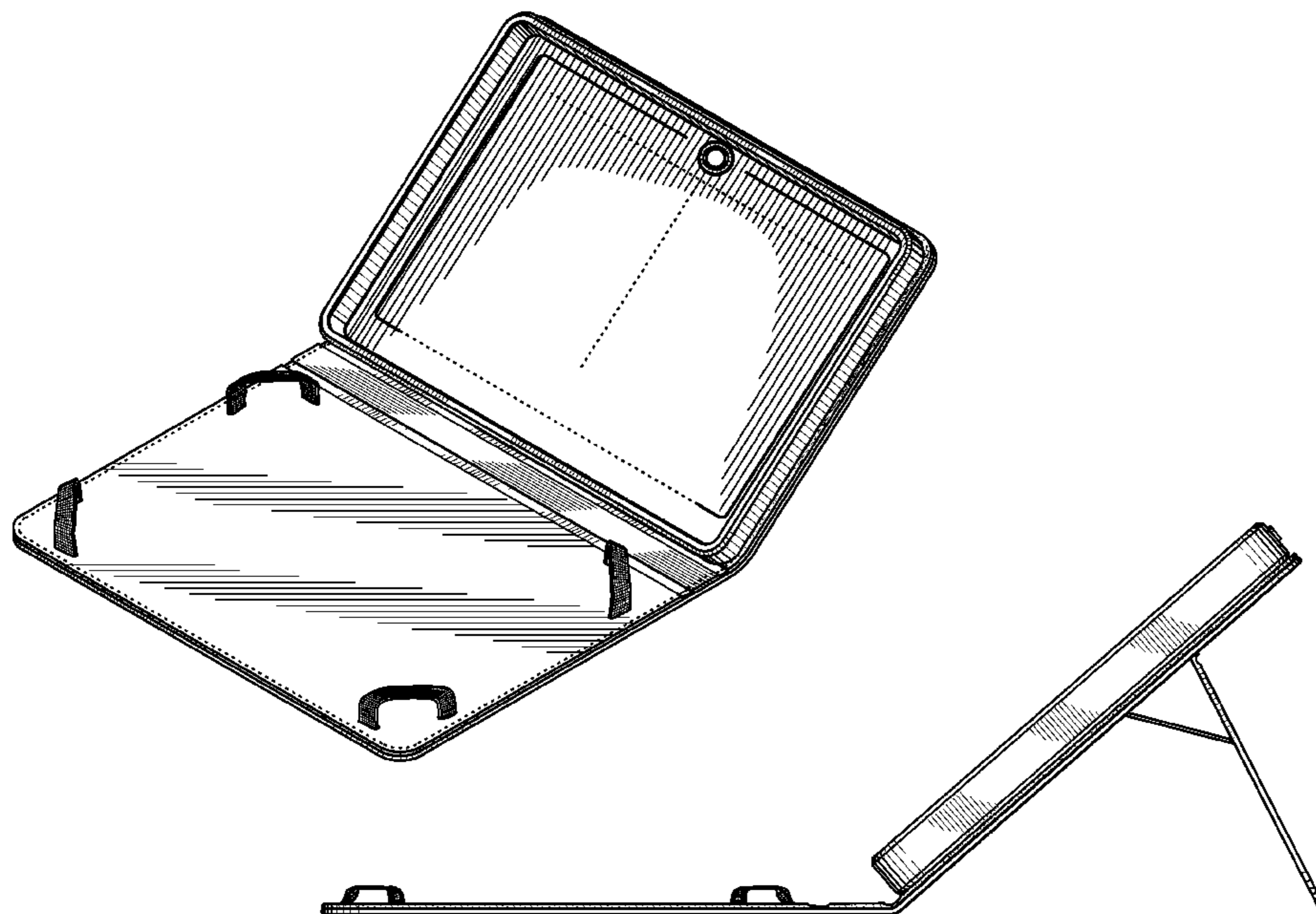
**DESCRIPTION**

FIG. 1 is a front perspective view of an electronic device case; FIG. 2 is a bottom plan view of the electronic device case; FIG. 3 is a top plan view thereof; FIG. 4 is a back elevational view thereof; FIG. 5 is a front elevational view thereof; FIG. 6 is a left elevational view thereof; and, FIG. 7 is a right elevational view thereof.

The broken lines shown on or along the perimeter of the device cover represent stitching and are part of the claim. The short, randomly placed undulating lines depicted in the figures are for illustrating a texture of the device cover and form part of the claim.

**1 Claim, 7 Drawing Sheets**

- (56) **References Cited**  
U.S. PATENT DOCUMENTS  
D469,438 S \* 1/2003 Corrales ..... D14/432  
7,542,052 B2 \* 6/2009 Solomon et al. .... 345/659  
D609,226 S \* 2/2010 Hofer et al. .... D14/248  
D611,045 S \* 3/2010 Andre et al. .... D14/327  
7,828,260 B2 \* 11/2010 Hauser et al. .... 248/456  
D639,816 S \* 6/2011 Bau ..... D14/447  
8,016,107 B2 \* 9/2011 Emsky ..... 206/320  
D646,266 S \* 10/2011 Kim et al. .... D14/250



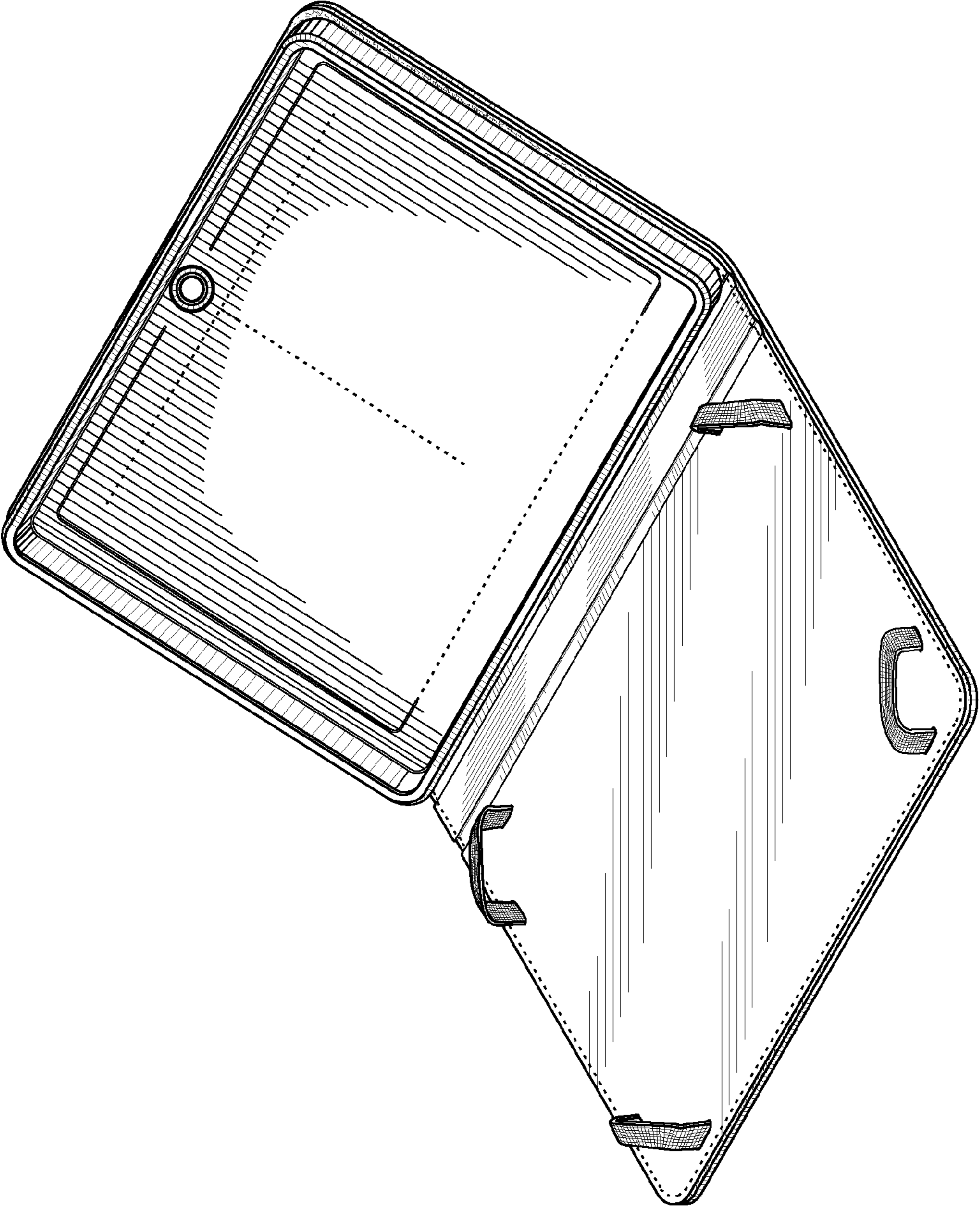


FIG.1

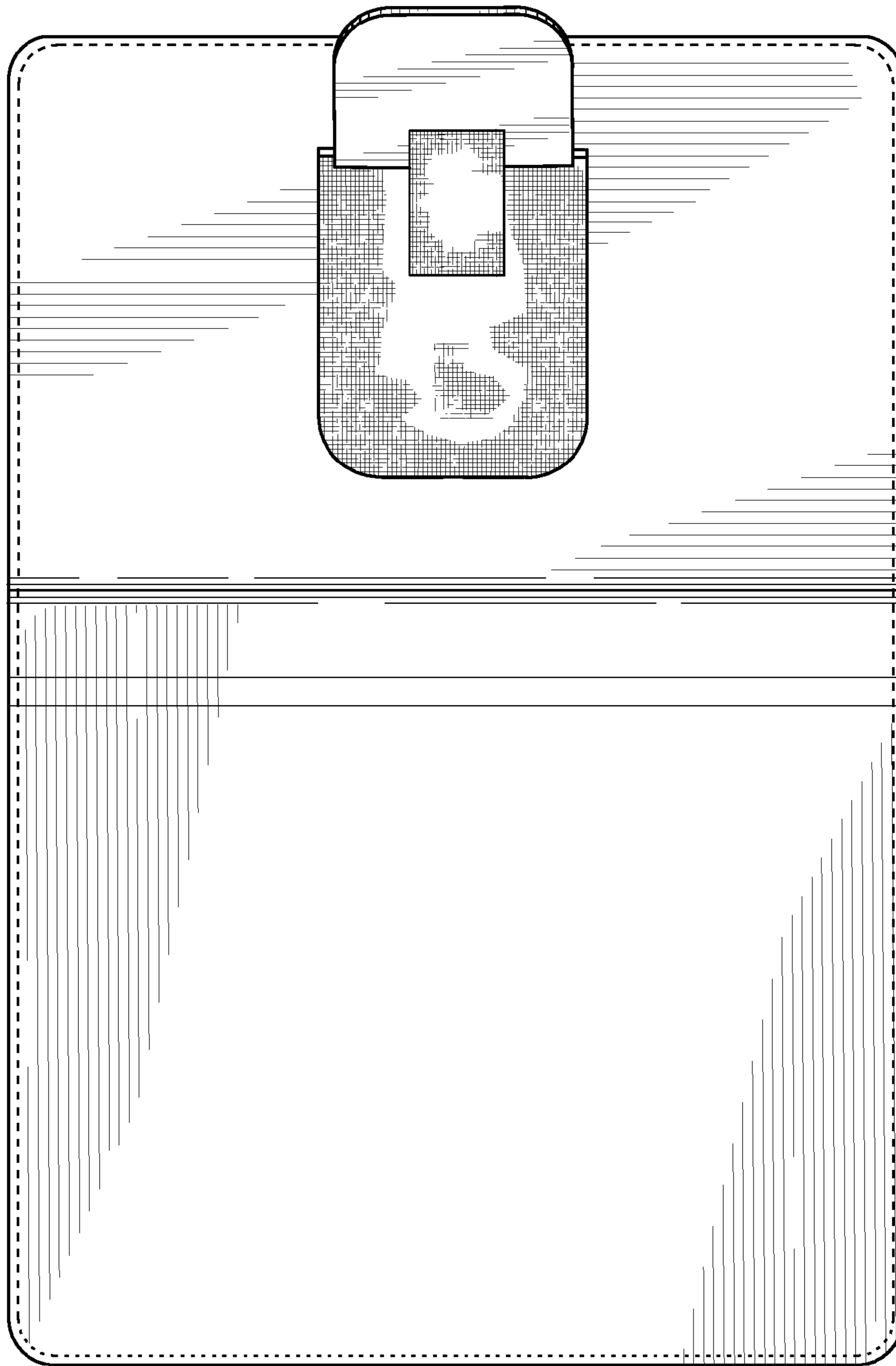


FIG.2

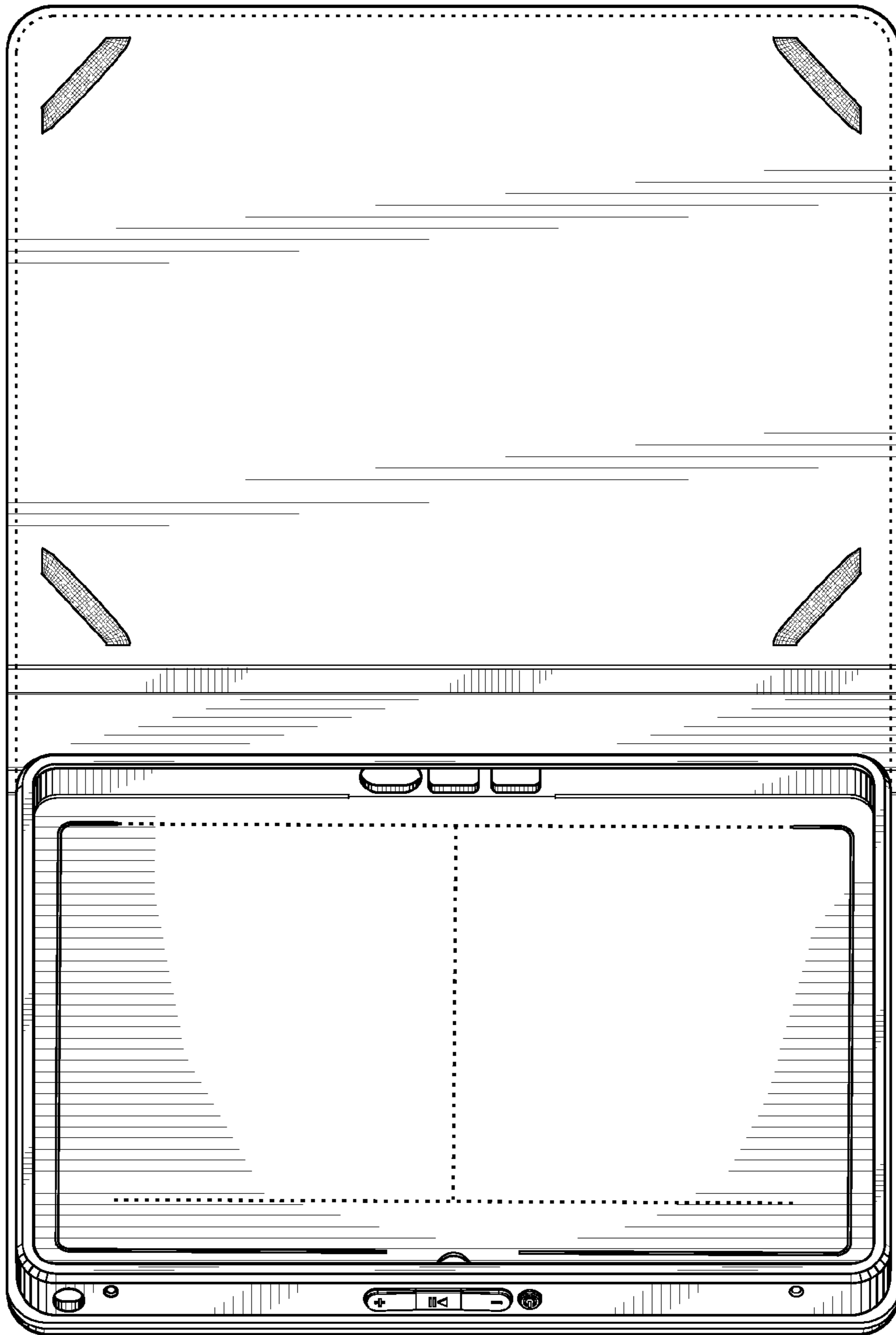


FIG.3



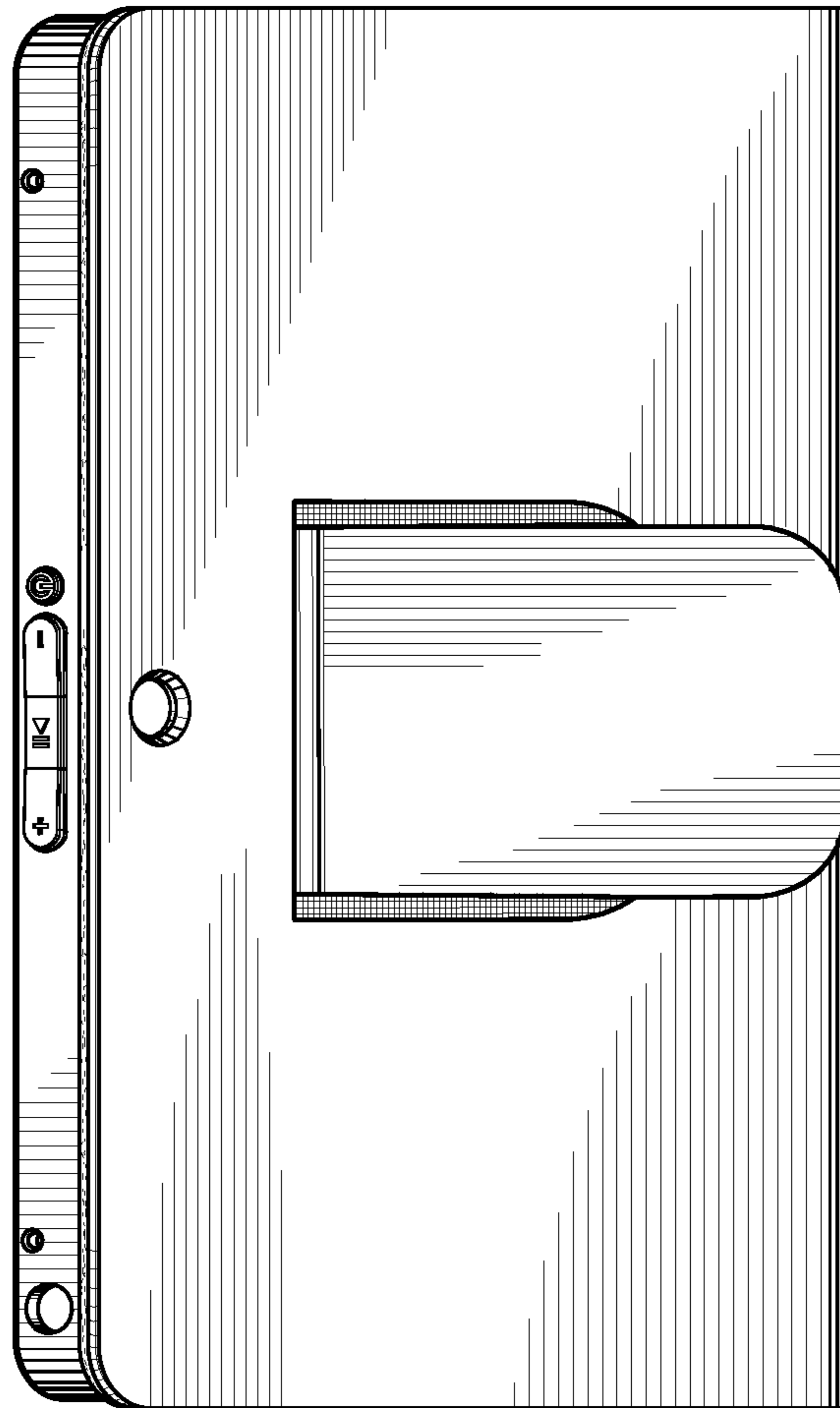


FIG.4

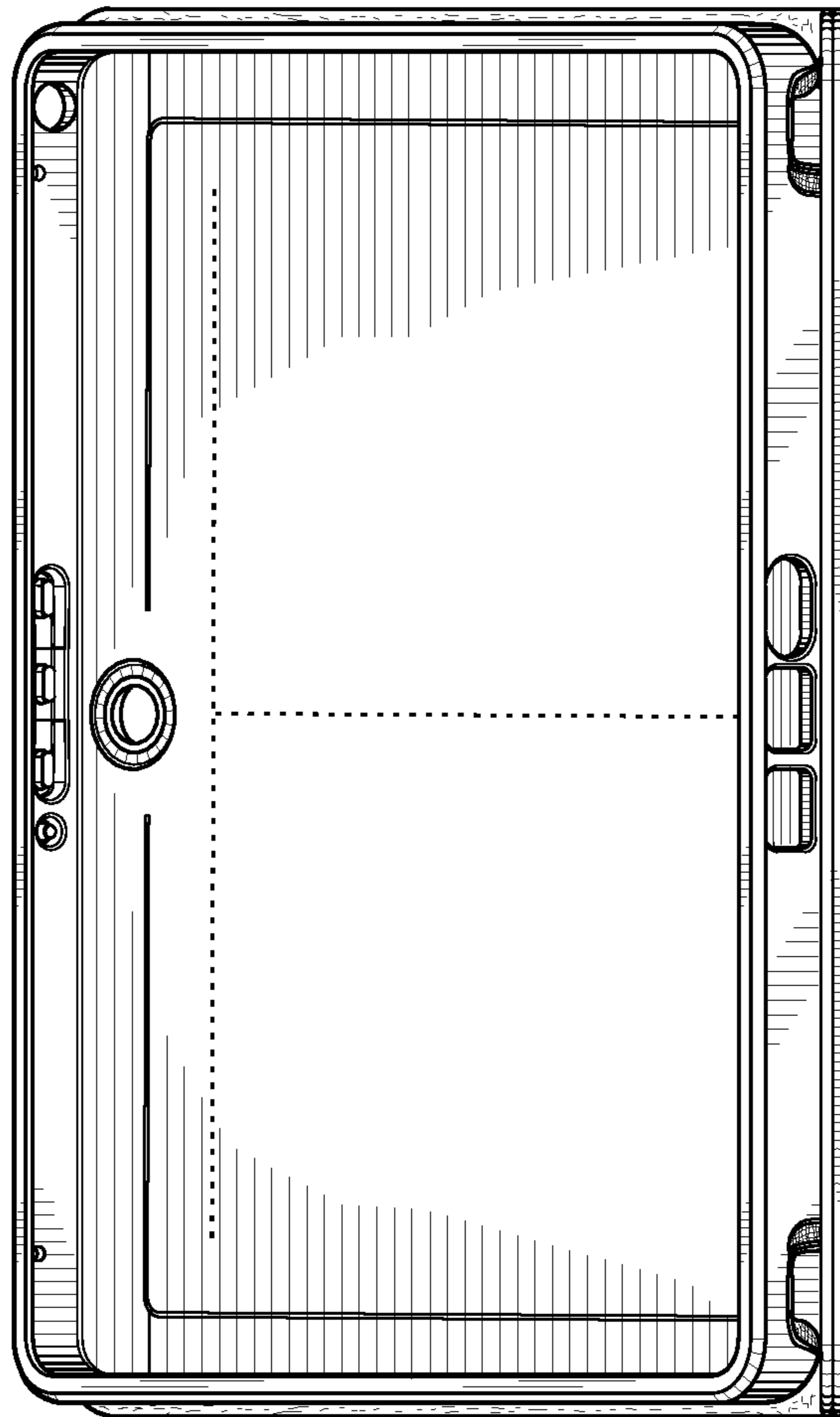


FIG.5

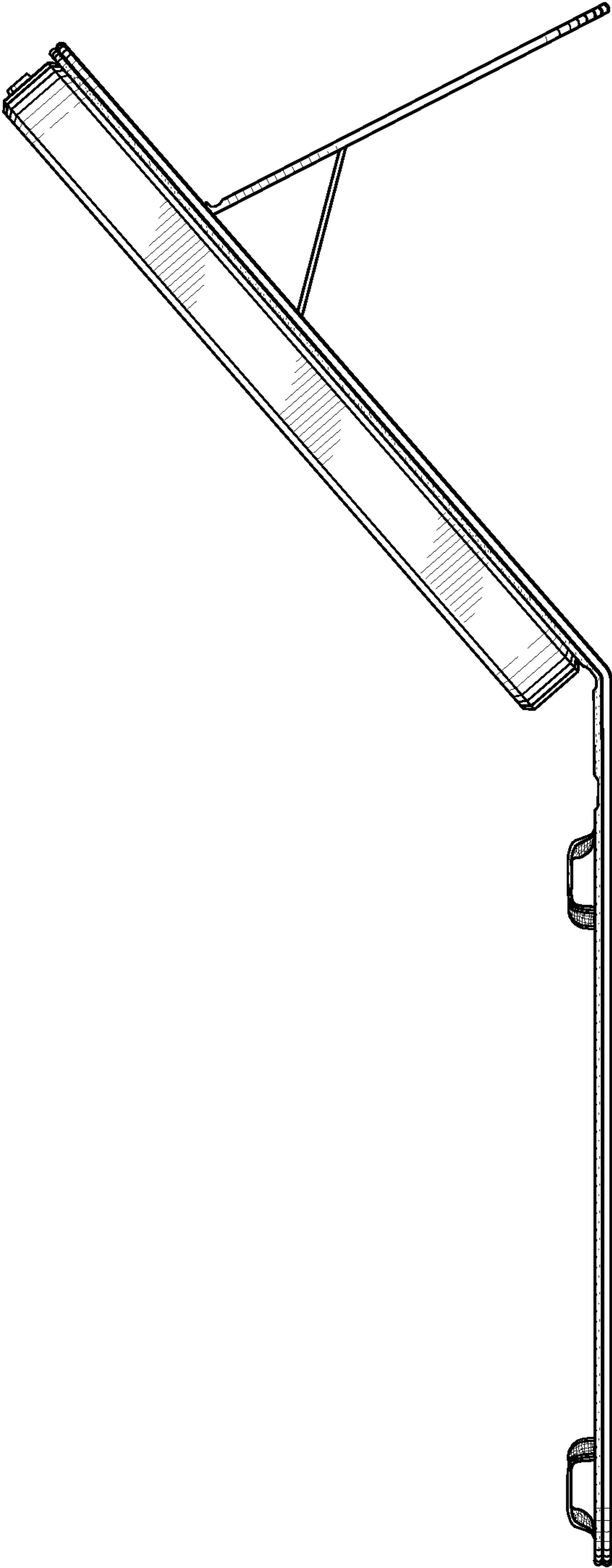


FIG.6

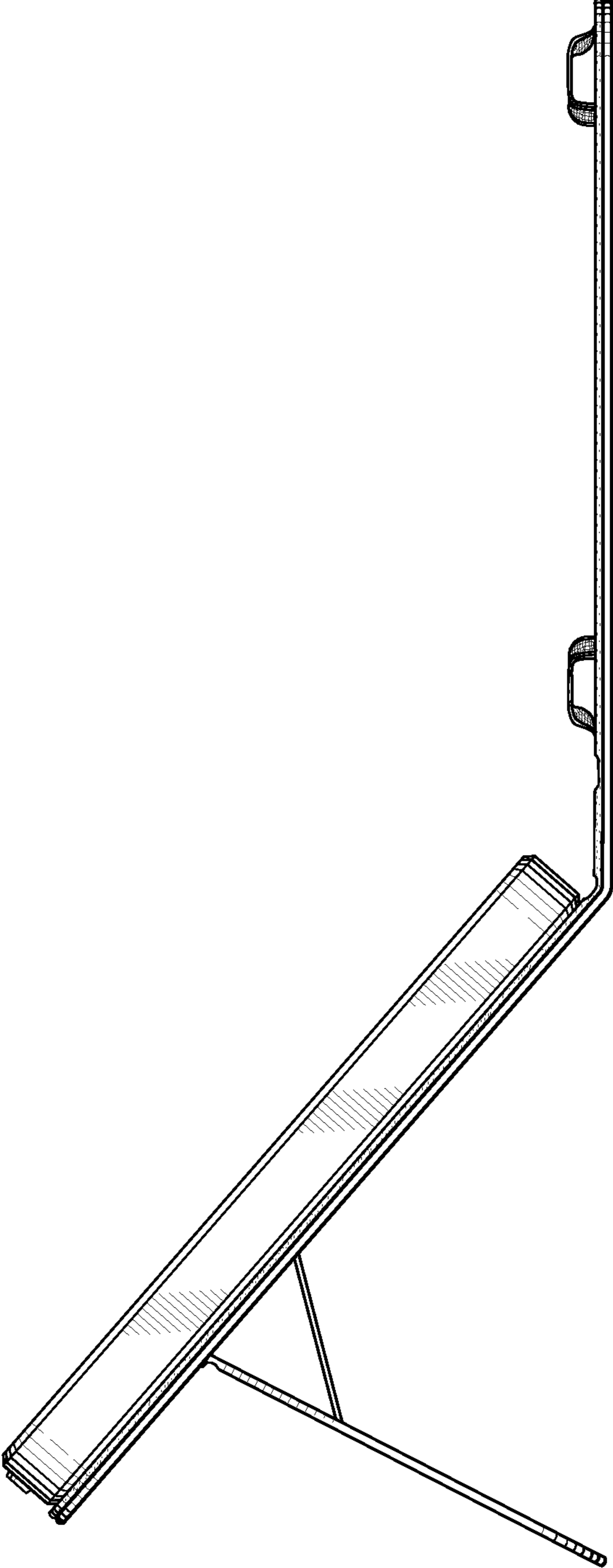


FIG. 7