



US00D684977S

(12) **United States Design Patent**
Phillips et al.

(10) **Patent No.:** **US D684,977 S**
(45) **Date of Patent:** **** Jun. 25, 2013**

(54) **ELECTRONIC DEVICE CASE**
(75) Inventors: **Alison Phillips**, Toronto (CA); **Todd Andrew Wood**, Toronto (CA); **Anders Fahrendorff**, Ottawa (CA); **Dustin Jonathan Smith**, Waterloo (CA); **Caitlin Curran-Blaney**, Toronto (CA)
(73) Assignee: **Research In Motion Limited**, Waterloo, Ontario (CA)

(**) Term: **14 Years**

(21) Appl. No.: **29/398,079**

(22) Filed: **Jul. 26, 2011**

(51) **LOC (9) Cl.** **14-02**

(52) **U.S. Cl.**
USPC **D14/440**

(58) **Field of Classification Search**
USPC D14/250, 251, 253, 240, 217, 496, D14/440, 203.3, 203.4, 203.5, 203.8; D3/218, D3/215, 201; 220/4.02; 248/309.1; 361/679.56, 361/683, 679.09; 379/426, 433.11, 455; 455/575.1, 575.8; 190/100; 206/305, 320; 345/173
See application file for complete search history.

(56) **References Cited**

U.S. PATENT DOCUMENTS

D469,438	S *	1/2003	Corrales	D14/432
7,542,052	B2 *	6/2009	Solomon et al.	345/659
D609,226	S *	2/2010	Hofer et al.	D14/248
D611,045	S *	3/2010	Andre et al.	D14/327
7,828,260	B2 *	11/2010	Hauser et al.	248/456
D639,816	S *	6/2011	Bau	D14/447
8,016,107	B2 *	9/2011	Emsky	206/320
D646,266	S *	10/2011	Kim et al.	D14/250
D654,069	S *	2/2012	Kwon et al.	D14/250
8,132,670	B1 *	3/2012	Chen	206/320
D659,139	S *	5/2012	Gengler	D14/392

8,173,893	B2 *	5/2012	Huang	136/251
D662,503	S *	6/2012	Akana et al.	D14/439
D665,809	S *	8/2012	Wang et al.	D14/439
8,245,843	B1 *	8/2012	Wu	206/320
D670,293	S *	11/2012	Shimizu et al.	D14/440
D671,114	S *	11/2012	Akana et al.	D14/341
D672,353	S *	12/2012	Liu	D14/440
D672,781	S *	12/2012	Lu	D14/440
D673,158	S *	12/2012	Yang et al.	D14/440
D674,799	S *	1/2013	Kim	D14/440
D676,050	S *	2/2013	Sanz	D14/440
2002/0070132	A1 *	6/2002	Onmori et al.	206/232
2002/0088918	A1 *	7/2002	Uto et al.	248/688
2010/0289390	A1 *	11/2010	Kenney	312/223.1

* cited by examiner

Primary Examiner — Cynthia Underwood

(57) **CLAIM**

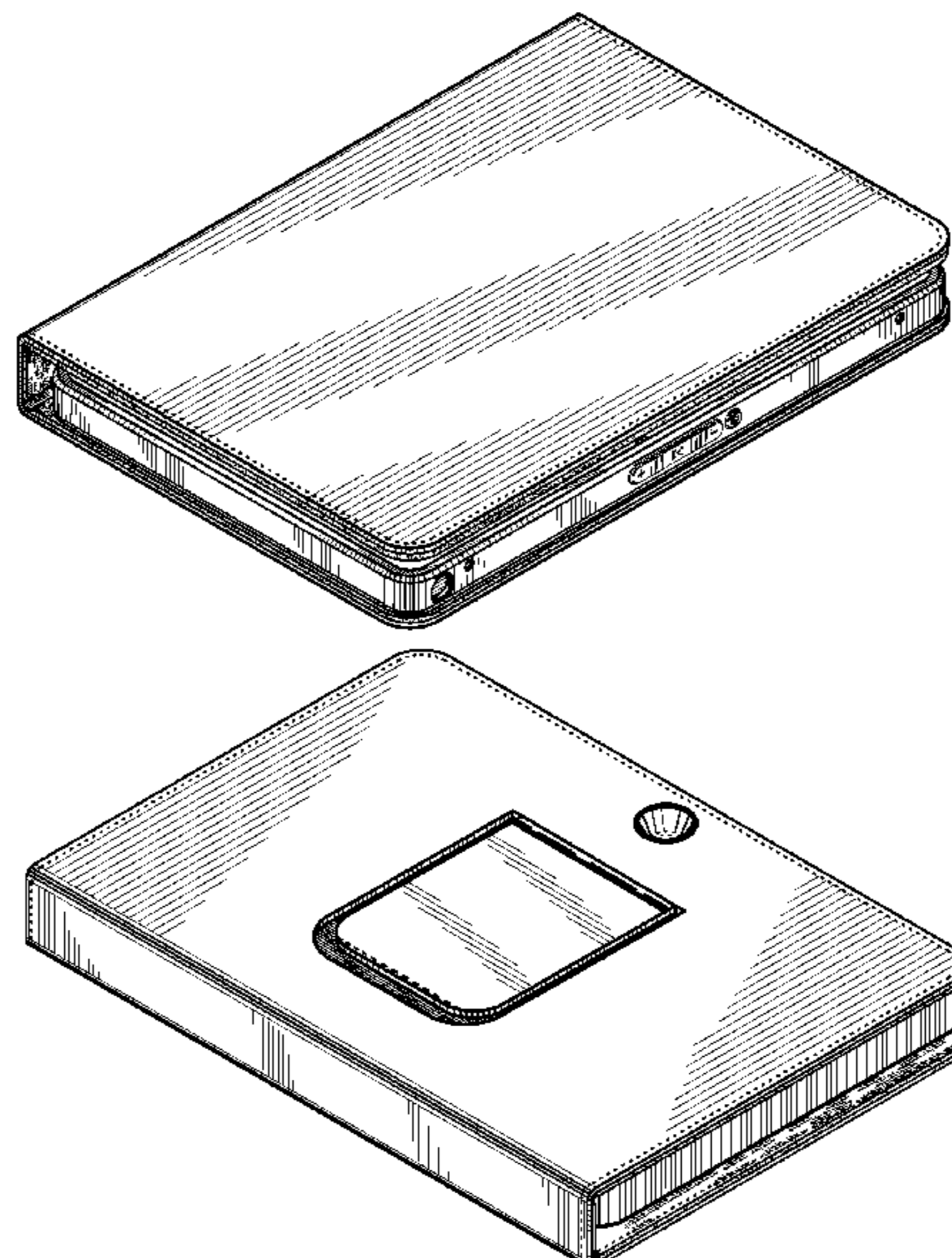
We claim the ornamental design for an electronic device case, as shown and described.

DESCRIPTION

FIG. 1 is a front perspective view of an electronic device case; FIG. 2 is a back bottom perspective view of the electronic device case; FIG. 3 is a top plan view thereof; FIG. 4 is a bottom plan view thereof; FIG. 5 is a left elevational view thereof; FIG. 6 is a right elevational view thereof; FIG. 7 is a back elevational view thereof; and, FIG. 8 is a front elevational view thereof.

The broken lines shown on or along the perimeter of the electronic device cover represent stitching and are part of the claim. The short, randomly placed undulating lines depicted in the figures are for illustrating a texture of the electronic device cover and form part of the claim. The broken lines located in the center of the aperture are for illustrative purposes only and form no part of the claim.

1 Claim, 6 Drawing Sheets



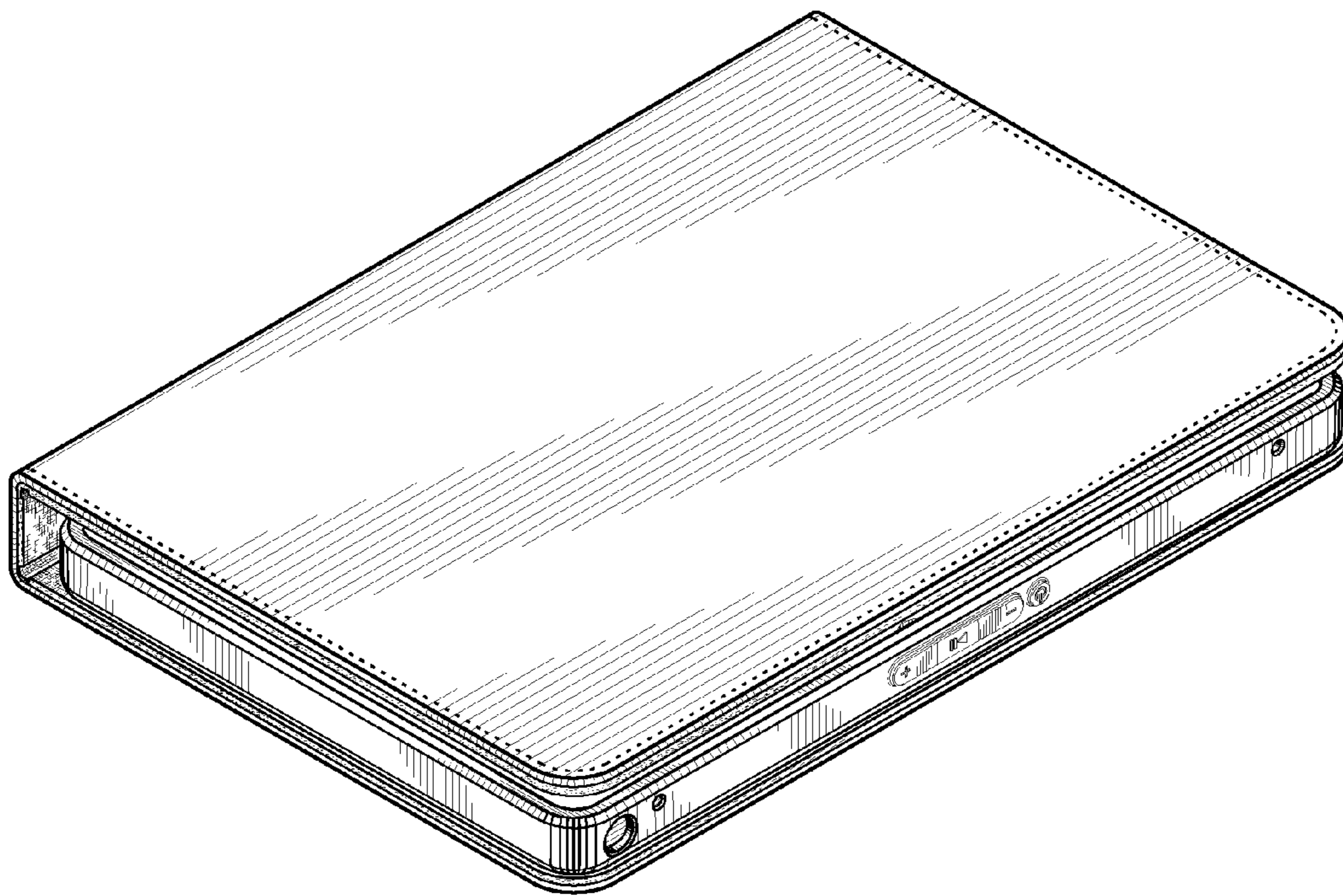


FIG.1

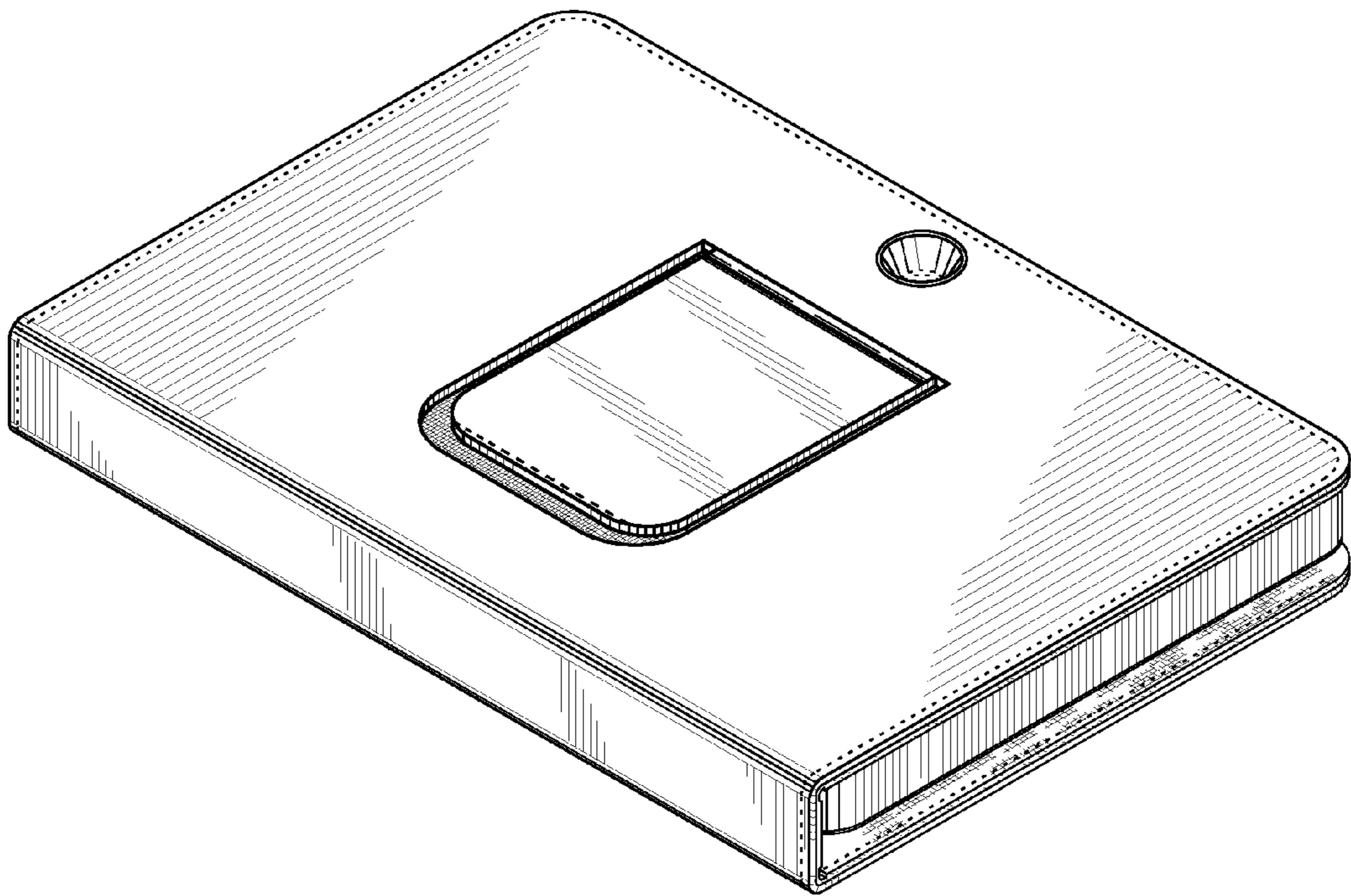


FIG.2

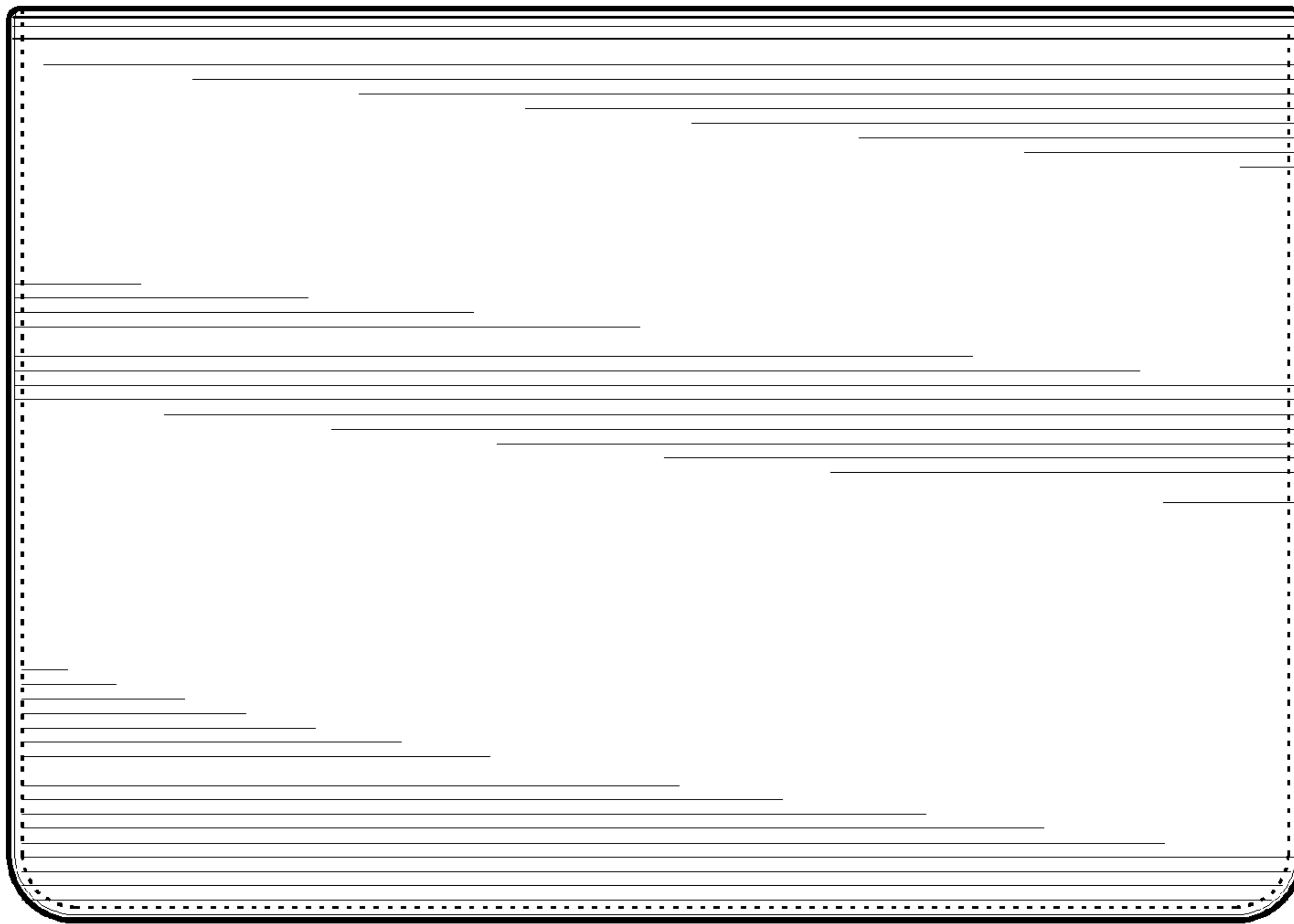


FIG.3

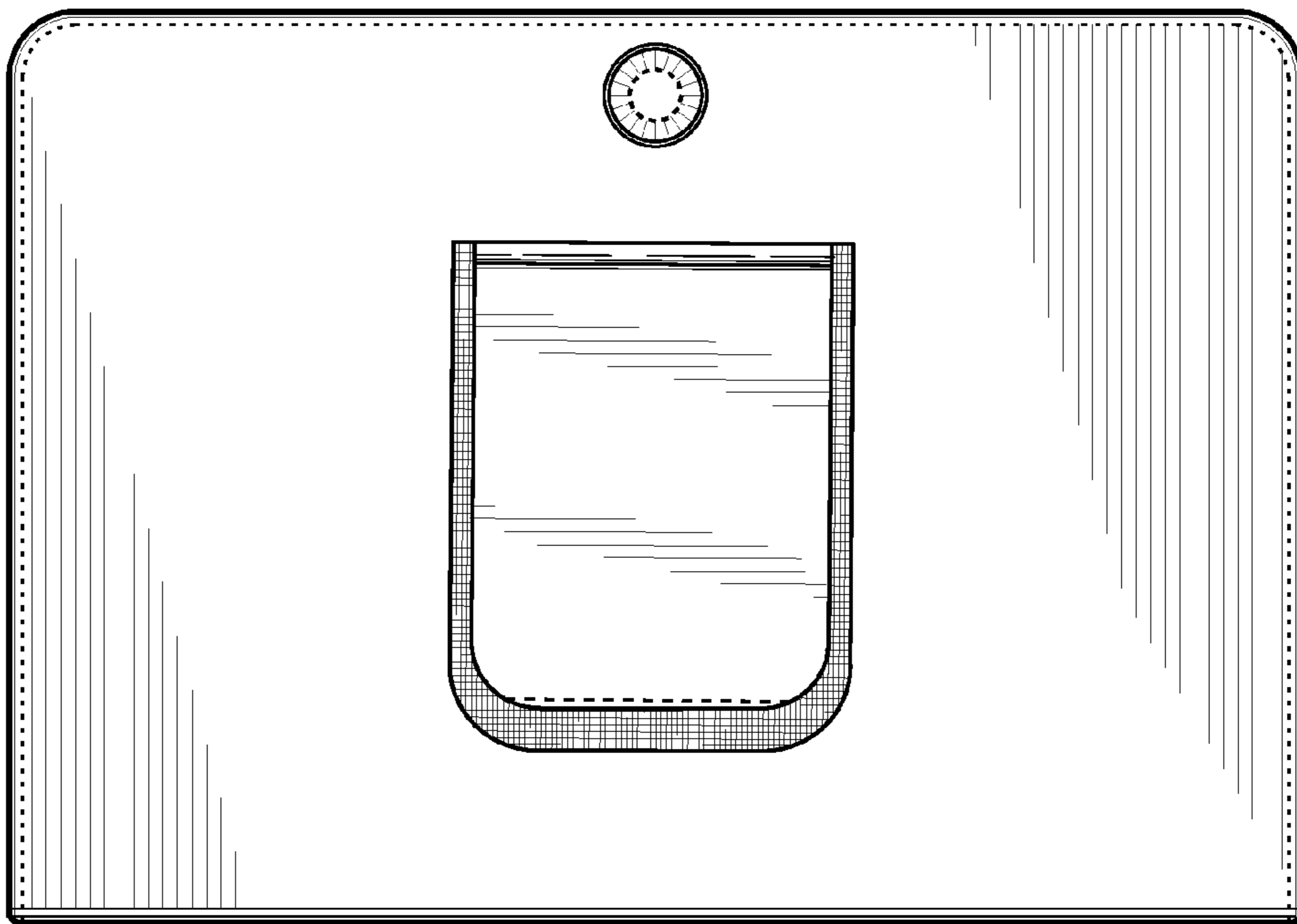


FIG.4

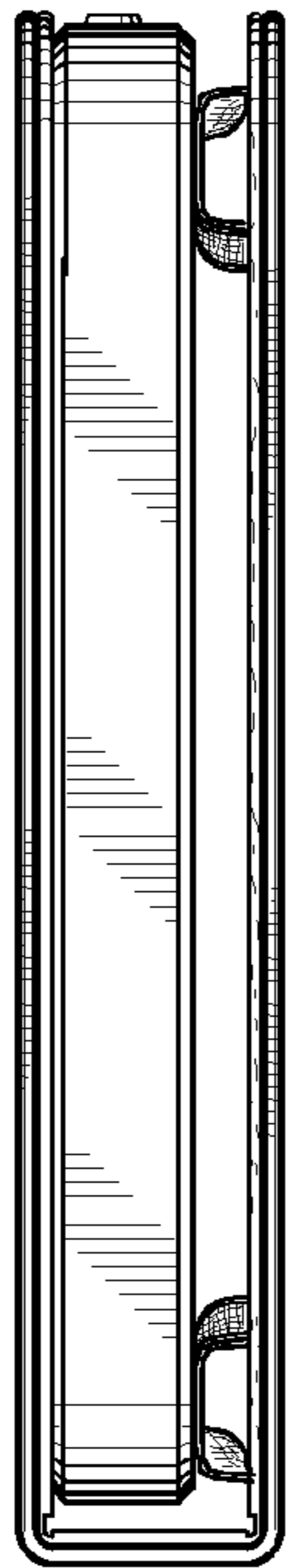


FIG. 5

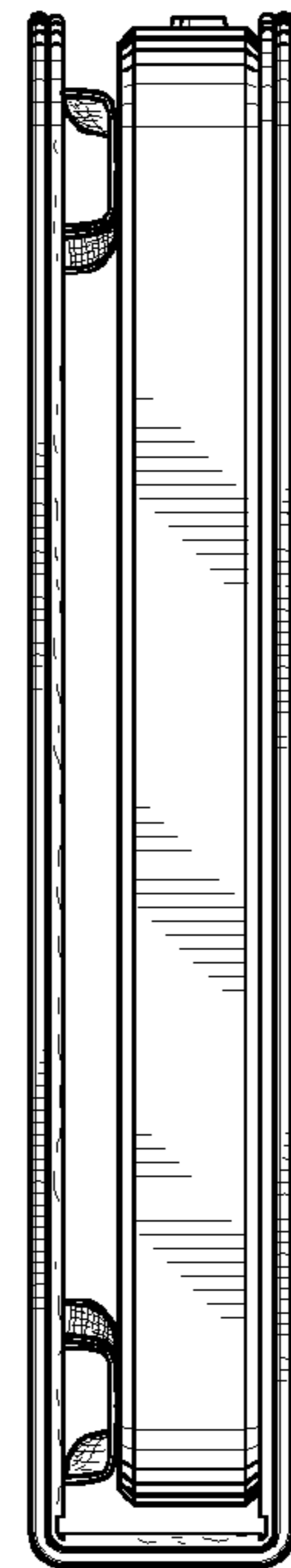


FIG. 6

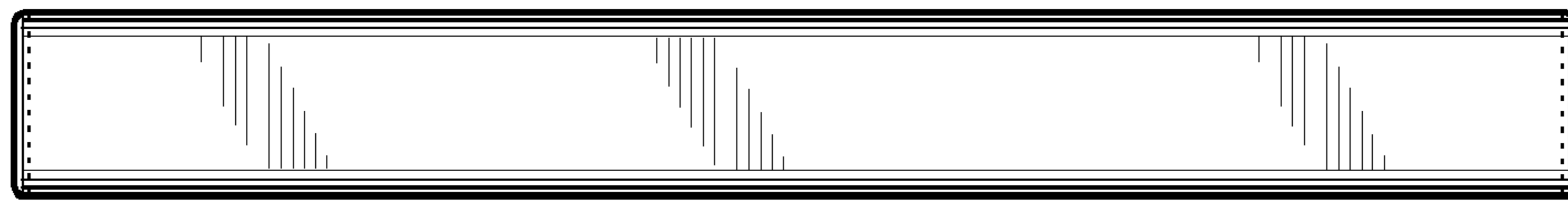


FIG. 7

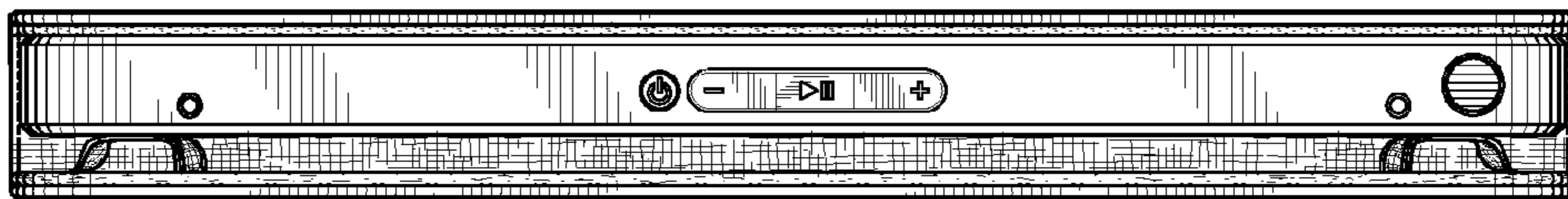


FIG. 8